



US00D399355S

# United States Patent [19]

Natuzzi et al.

[11] Patent Number: Des. 399,355

[45] Date of Patent: \*\*Oct. 13, 1998

[54] SEAT

[75] Inventors: **Pasquale Natuzzi**, Santeramo In Colle;  
**Domenico Abbruzzese**, Gioia del Colle,  
both of Italy

[73] Assignee: **Industrie Natuzzi, Spa**, Santeramo,  
Italy

[\*\*] Term: 14 Years

[21] Appl. No.: 76,633

[22] Filed: Sep. 15, 1997

[51] LOC (6) Cl. .... 06-01

[52] U.S. Cl. .... D6/381; D6/334; D6/335

[58] Field of Search ..... D6/334, 335, 336,  
D6/364, 371, 373, 377, 381, 500, 501,  
502; 297/232, 445.1

## [56] References Cited

### U.S. PATENT DOCUMENTS

D. 363,614	10/1995	Natuzzi et al. ....	D6/381
D. 370,356	6/1996	Natuzzi et al. ....	D6/335
D. 374,356	10/1996	Natuzzi et al. ....	D6/381
D. 383,619	9/1997	Culler .....	D6/381
D. 388,259	12/1997	Natuzzi et al. ....	D6/381
D. 388,631	1/1998	Natuzzi et al. ....	D6/381
D. 388,970	1/1998	Natuzzi et al. ....	D6/381

### OTHER PUBLICATIONS

Natuzzi Model 416, Oct. 1987, at International Home Furnishings Market in High Point, North Carolina.  
 Natuzzi Model 452, Oct. 1988, at International Home Furnishings Market in High Point, North Carolina.  
 Natuzzi Model 497, Apr. 1989, at International Home Furnishings Market in High Point, North Carolina.  
 Natuzzi Model 745, Apr. 1990, at International Home Furnishings Market in High Point, North Carolina.  
 Natuzzi Model 769, Oct. 1990, at International Home Furnishings Market in High Point, North Carolina.  
 Natuzzi Model 779, Oct. 1990, at International Home Furnishings Market in High Point, North Carolina.  
 Natuzzi Model 814, Oct. 1990, at International Home Furnishings Market in High Point, North Carolina.

Natuzzi Model 871, Oct. 1991, at International Home Furnishings Market in High Point, North Carolina.  
 Natuzzi Model 879, Apr. 1991, at International Home Furnishings Market in High Point, North Carolina.  
 Natuzzi Model 884, Apr. 1991, at International Home Furnishings Market in High Point, North Carolina.  
 Natuzzi Model 893, Nov. 1991, at International Home Furnishings Market in High Point, North Carolina.  
 Natuzzi Model 903, Apr. 1992, at International Home Furnishings Market in High Point, North Carolina.  
 Natuzzi Model 1036, Apr. 1993, at International Home Furnishings Market in High Point, North Carolina.  
 Natuzzi Model 1075, Sep. 1993, at International Home Furnishings Market in High Point, North Carolina.  
 Natuzzi Model 1175, Apr. 1994, at International Home Furnishings Market in High Point, North Carolina.  
 Natuzzi Model 1214, Oct. 1994, at International Home Furnishings Market in High Point, North Carolina.  
 Natuzzi Model 1404, Apr. 1996, at International Home Furnishings Market in High Point, North Carolina.  
 Natuzzi Model 1446, Mar. 1996, at International Home Furnishings Market in High Point, North Carolina.

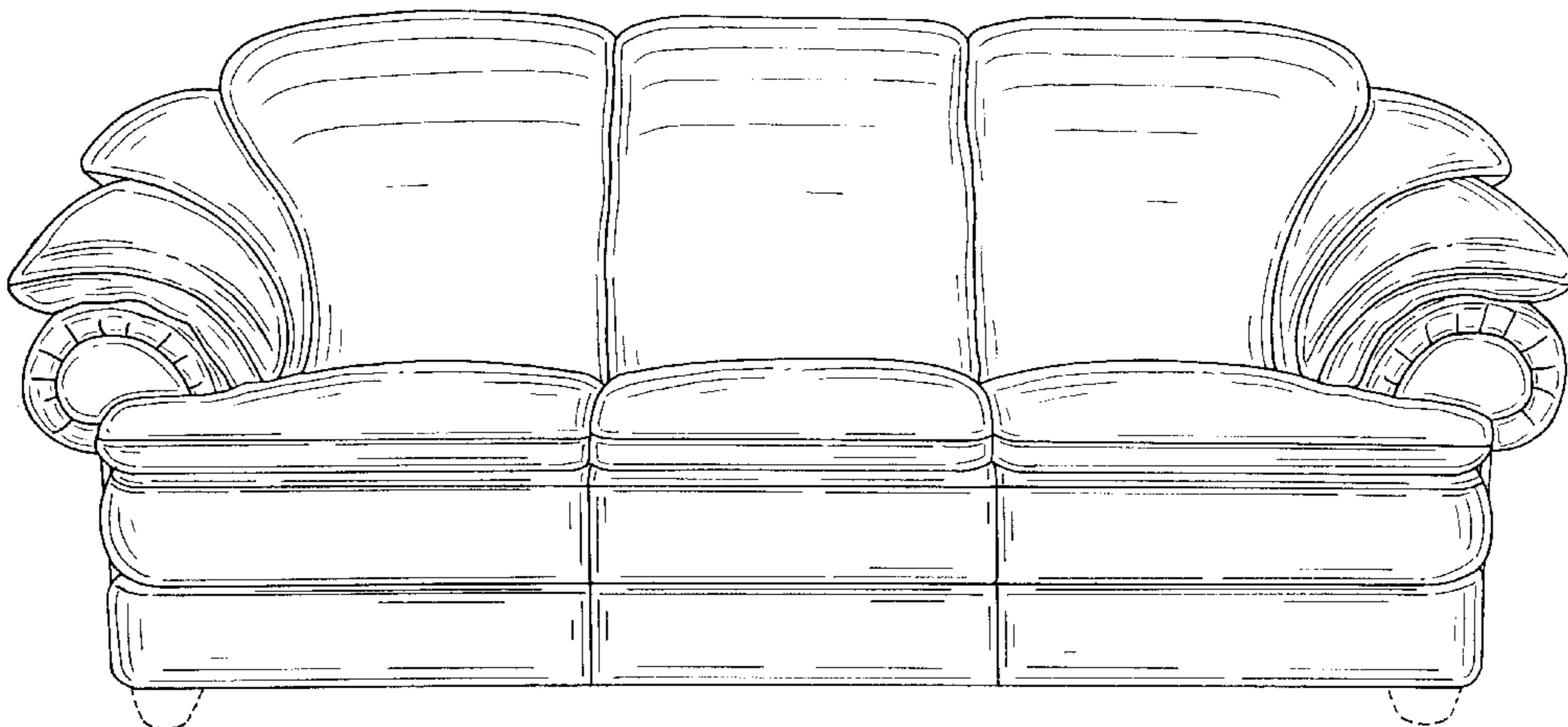
*Primary Examiner*—Gary D. Watson  
*Attorney, Agent, or Firm*—Bell Seltzer Intellectual Property Law Group of Alston & Bird LLP

## [57] CLAIM

The ornamental design for a seat, as shown and described.

### DESCRIPTION

FIG. 1 is a front perspective view of a seat showing our new design in the form of a sofa;  
 FIG. 2 is a front elevational view thereof;  
 FIG. 3 is a top plan view thereof;  
 FIG. 4 is a right side elevational view, the left side being a mirror image thereof;  
 FIG. 5 is a rear perspective view thereof;  
 FIG. 6 is a front elevational view of a seat showing our new design in the form of a loveseat;  
 FIG. 7 is a front elevational view of a seat showing our new design in the form of a chair;  
 FIG. 8 is a front perspective view of a seat showing our new design in the form of a sectional;  
 FIG. 9 is a top plan view thereof; and,  
 FIG. 10 is a rear perspective view thereof.



The broken lines shown herein are for illustrative purposes only and form no part of the claimed design.

The rear views of FIGS. 6 and 7 are like FIG. 5, the difference being a matter of length.

The end views of FIGS. 6 and 7 are like that shown in FIG. 4.

FIGS. 1 and 5 are shown on an enlarged scale relative to the other views.

**1 Claim, 6 Drawing Sheets**

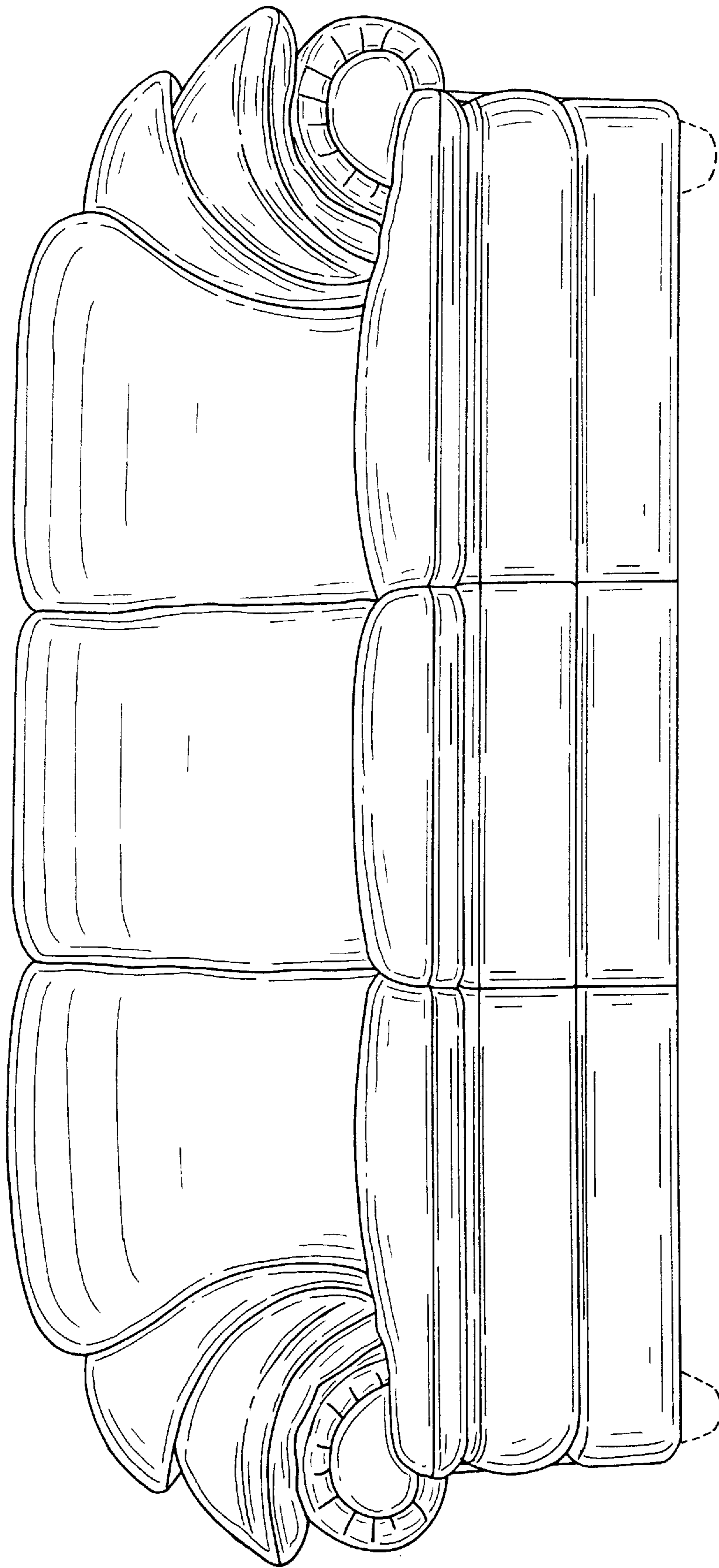


FIG. 1.

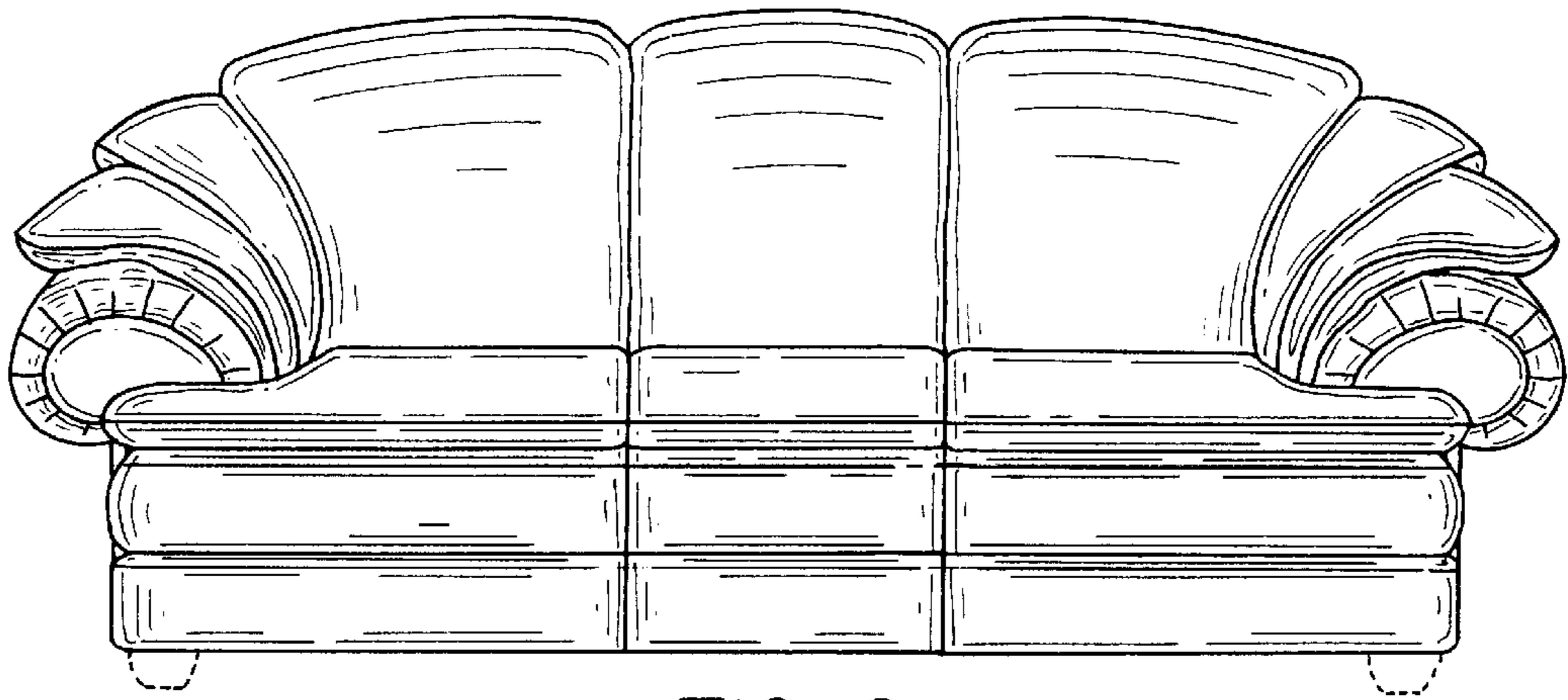


FIG. 2.

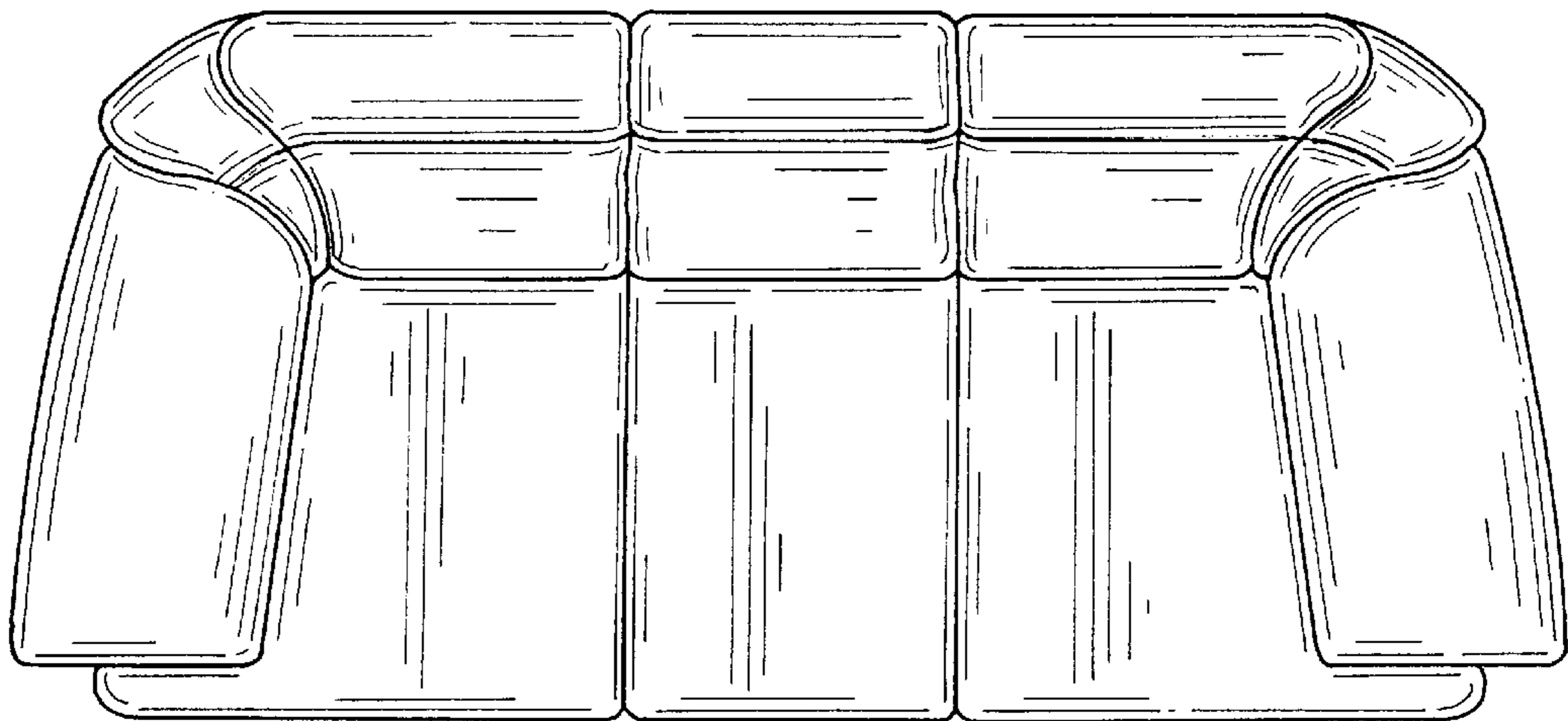


FIG. 3.

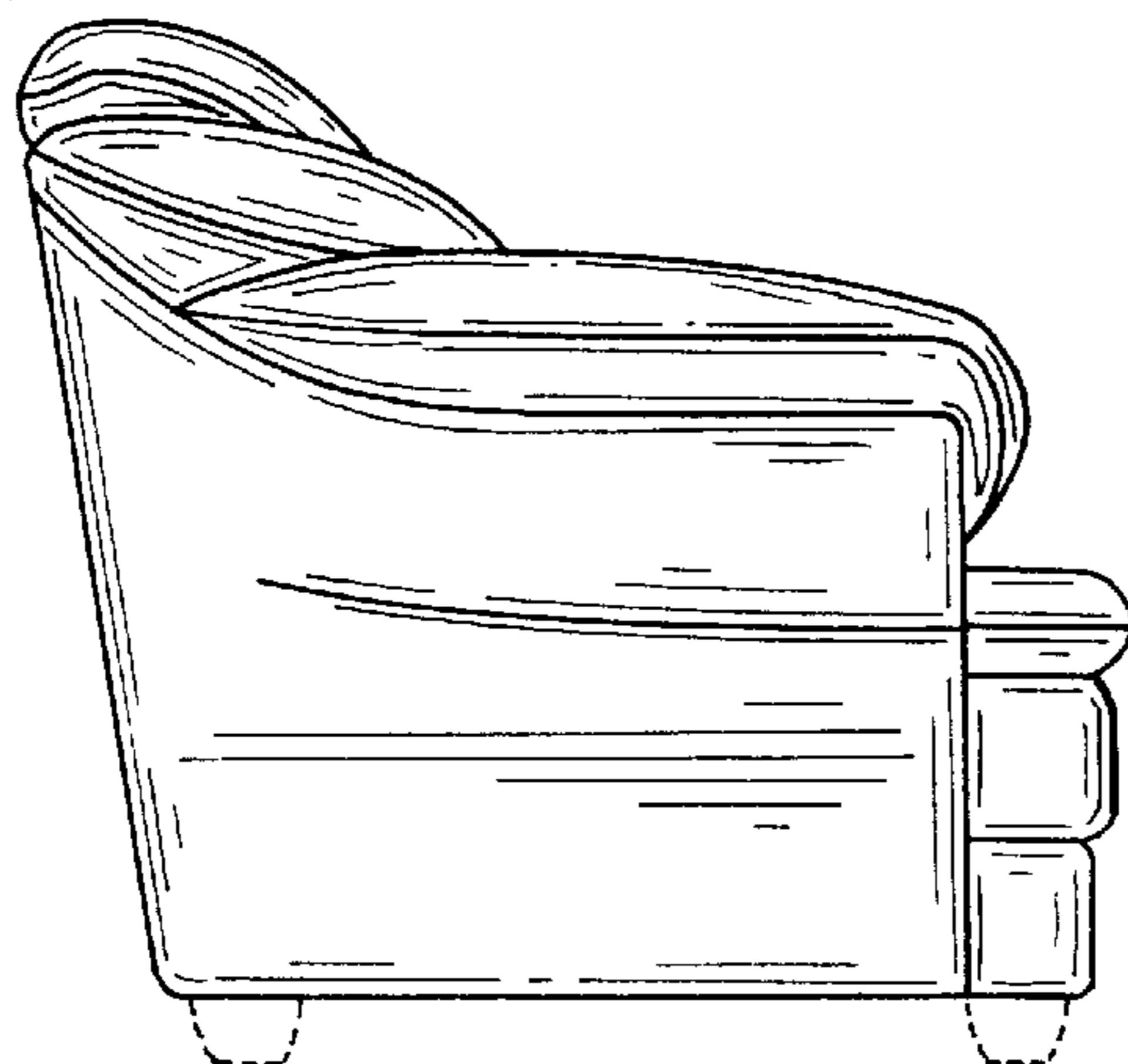


FIG. 4.

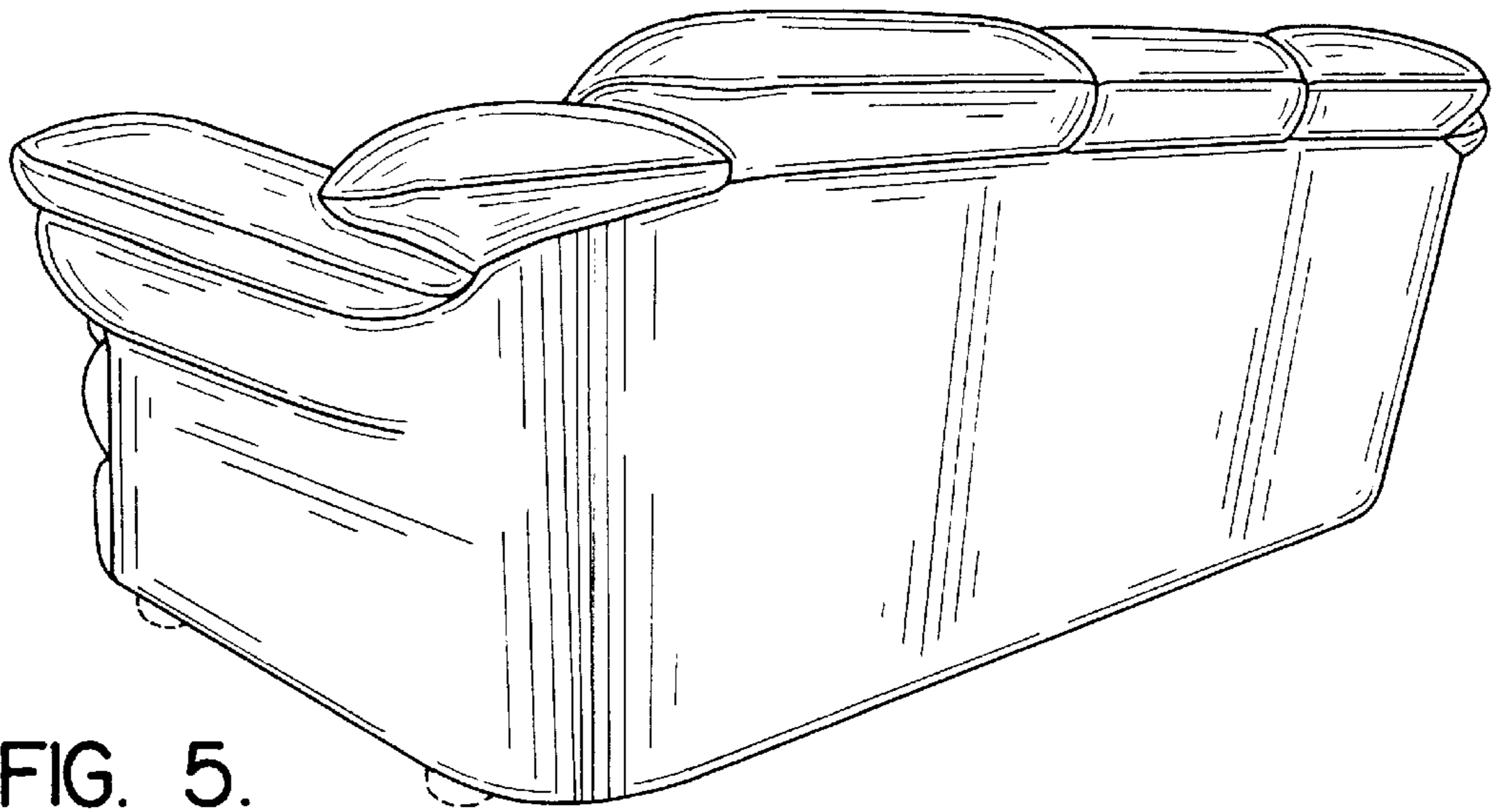


FIG. 5.

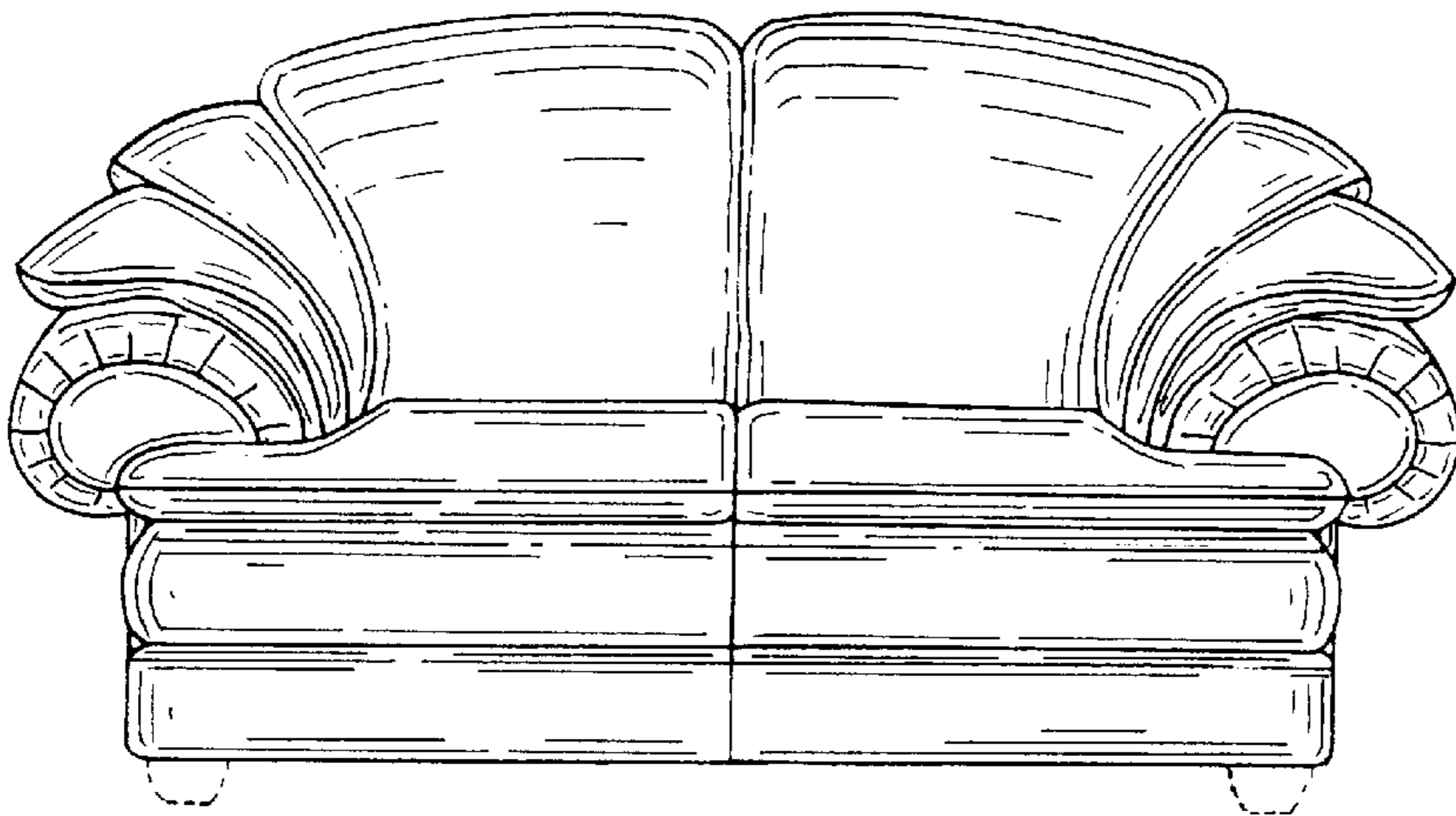


FIG. 6.

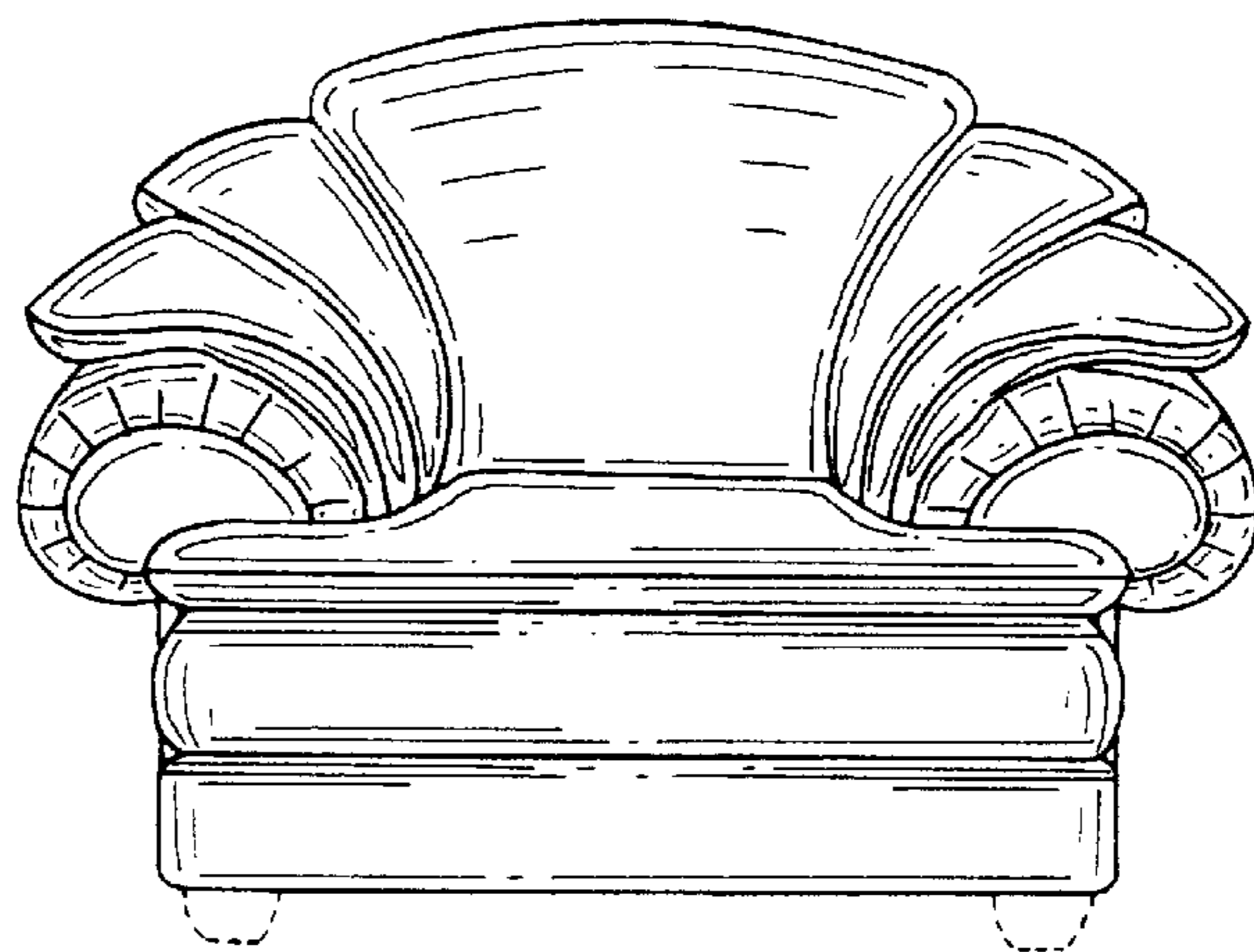


FIG. 7.

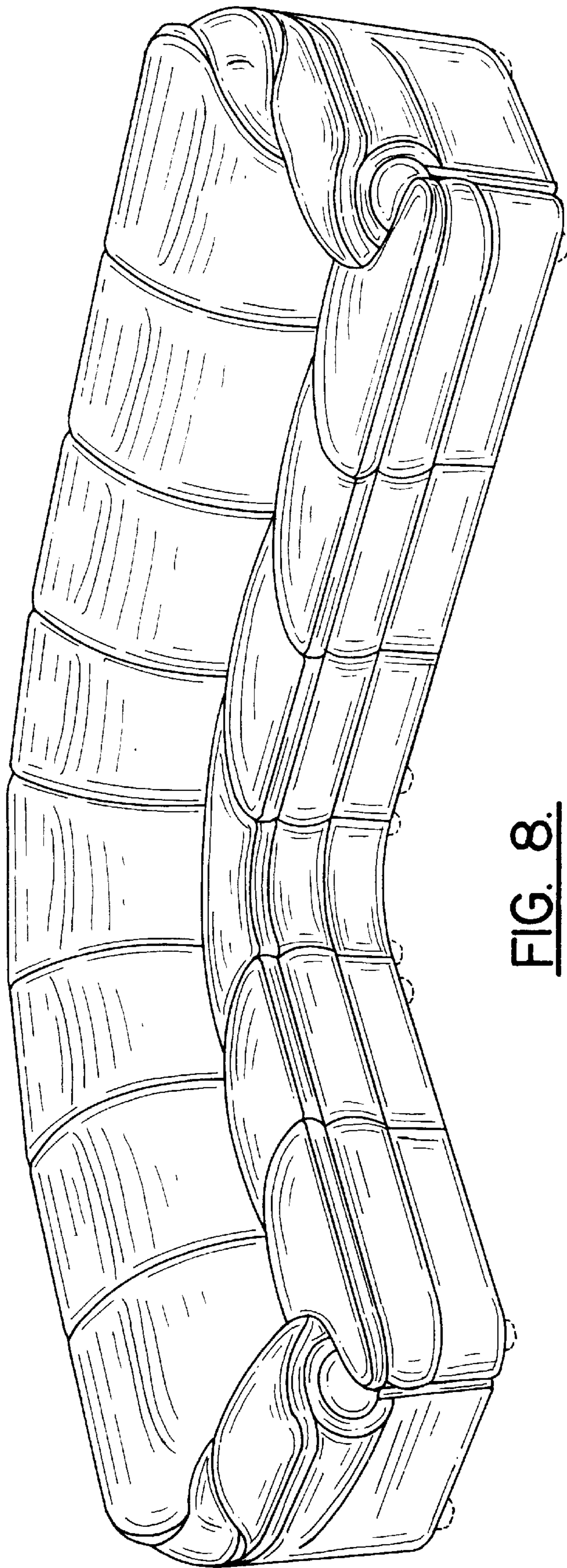


FIG. 8.

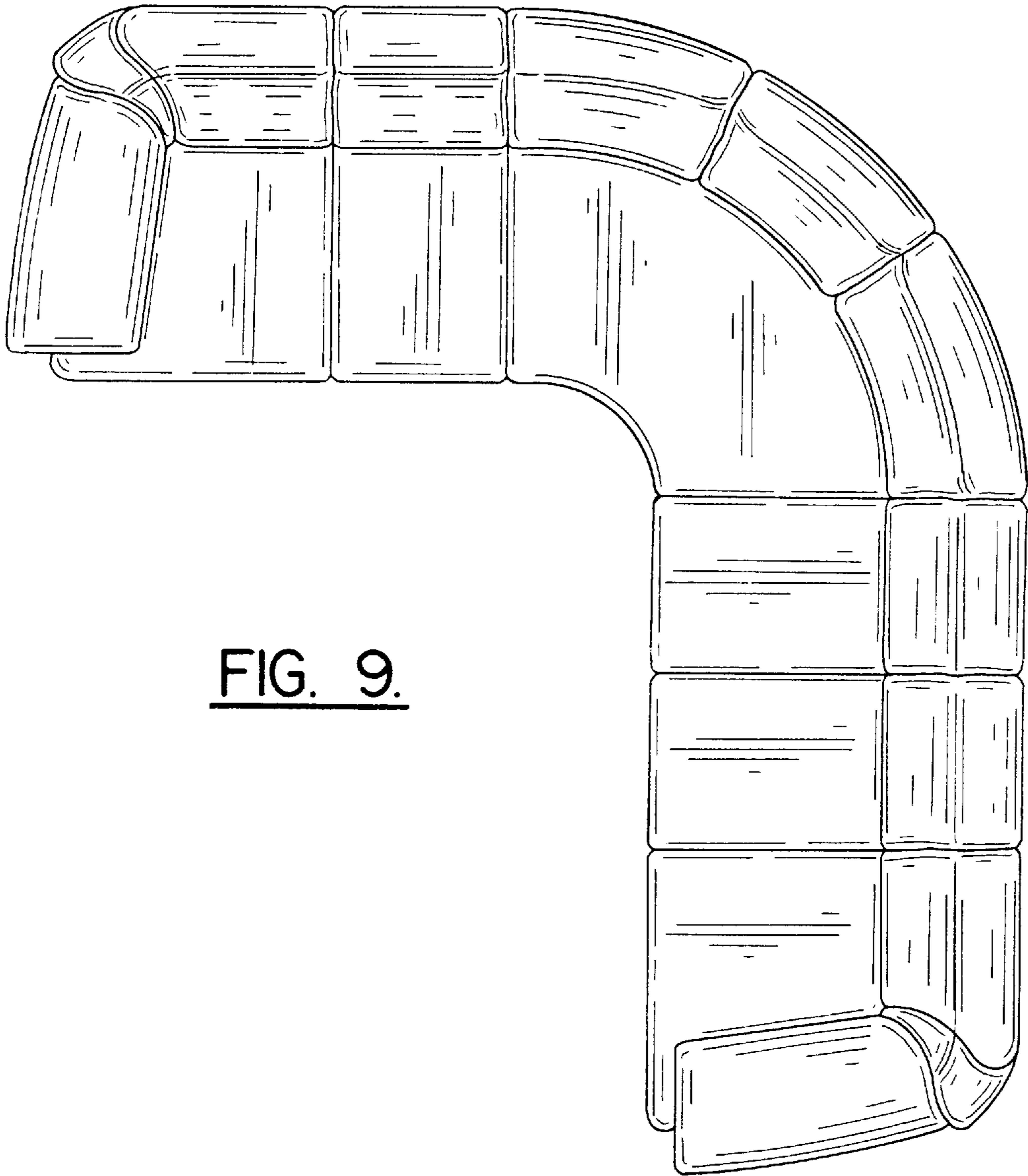


FIG. 9.

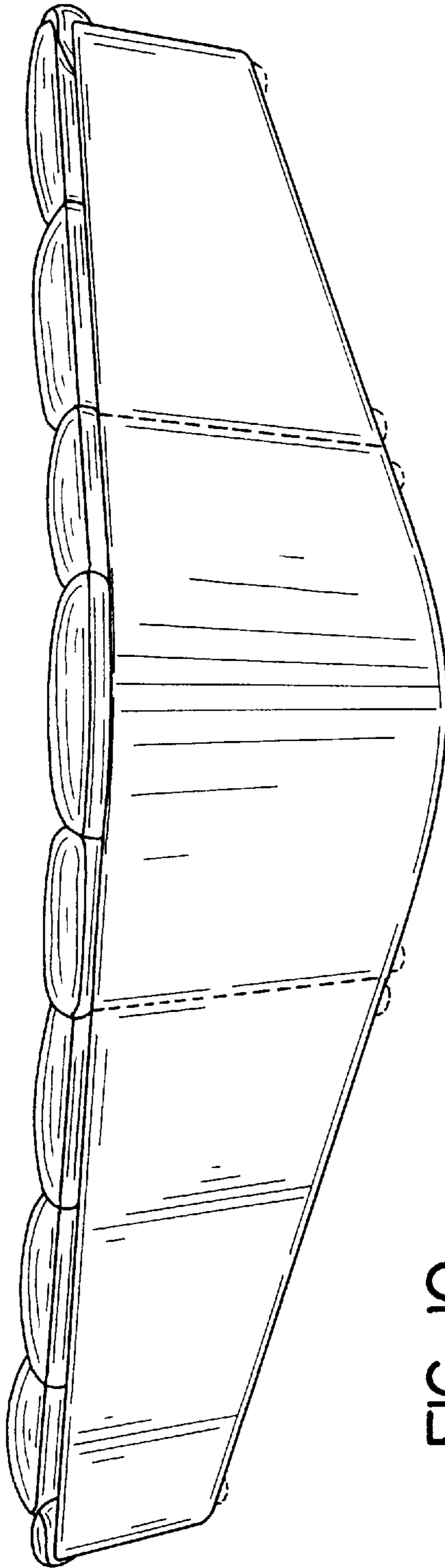


FIG. 10.