



US00D399348S

United States Patent [19] Dancyger

[11] Patent Number: **Des. 399,348**

[45] Date of Patent: ****Oct. 13, 1998**

[54] **STACKER**

[76] Inventor: **Michael Dancyger**, 811 W. 58th St.,
Los Angeles, Calif. 90037

[**] Term: **14 Years**

[21] Appl. No.: **80,268**

[22] Filed: **Sep. 5, 1997**

[51] **LOC (6) Cl.** **03-01**

[52] **U.S. Cl.** **D3/313; D7/557; D7/630;**
D3/314

[58] **Field of Search** **D3/304, 307-314,**
D3/905; D7/552, 557, 630; D9/341; 206/503,
509, 511; 220/555, 553

[56] **References Cited**

U.S. PATENT DOCUMENTS

| | | | | | |
|------------|---------|------------|-------|---------|---|
| D. 231,747 | 6/1974 | Davis | | D7/557 | X |
| D. 375,200 | 11/1996 | Nugent | | D3/313 | |
| 982,065 | 1/1911 | Huddleson | | D7/557 | X |
| 3,384,260 | 5/1968 | Buffington | | 206/558 | |
| 5,154,303 | 10/1992 | Jordan | | 220/555 | X |
| 5,458,243 | 10/1995 | McBride | | 206/503 | X |

Primary Examiner—Sandra L. Morris
Assistant Examiner—Richelle Shelton
Attorney, Agent, or Firm—Andra M. Vaccaro

[57] **CLAIM**

The ornamental design for a stacker, as shown and described.

DESCRIPTION

FIG. 1 is a perspective view showing the front, left and top side of the stacker, showing my preferred design;
FIG. 2 is a top plan view of the design of the stacker shown in FIG. 1;
FIG. 3 is a bottom plan view of the design of the stacker in FIG. 1;
FIG. 4 is a right side elevational view of the design of the stacker shown in FIG. 1; wherein the left side (not shown) is a mirror image of the right side elevational view shown in FIG. 4; and
FIG. 5 is a perspective view showing the front, left and top side of a second embodiment of the stacker;
FIG. 6 is a front elevational view of the design of the stacker in FIG. 5; and
FIG. 7 is a rear elevational view of the design of the stacker shown in FIG. 5; wherein the left side (not shown) is a mirror image of the rear elevational view shown in FIG. 7;
FIG. 8 is a top plan view of the design of the stacker shown in FIG. 5;
FIG. 9 is a bottom plan view of the design of the stacker shown in FIG. 5; and
FIG. 10 is a right side elevational view of the design of the stacker shown in FIG. 5.

1 Claim, 7 Drawing Sheets

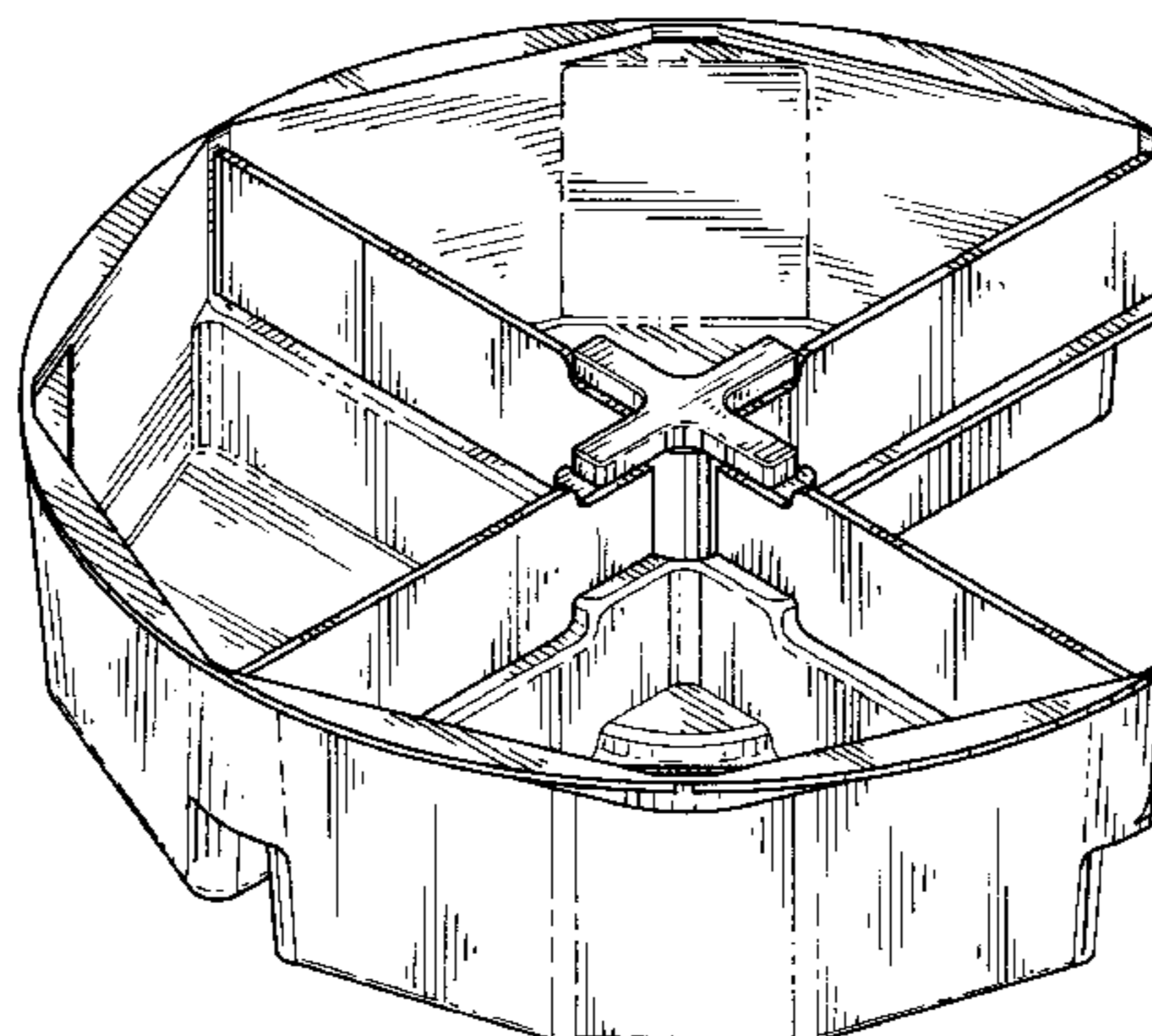
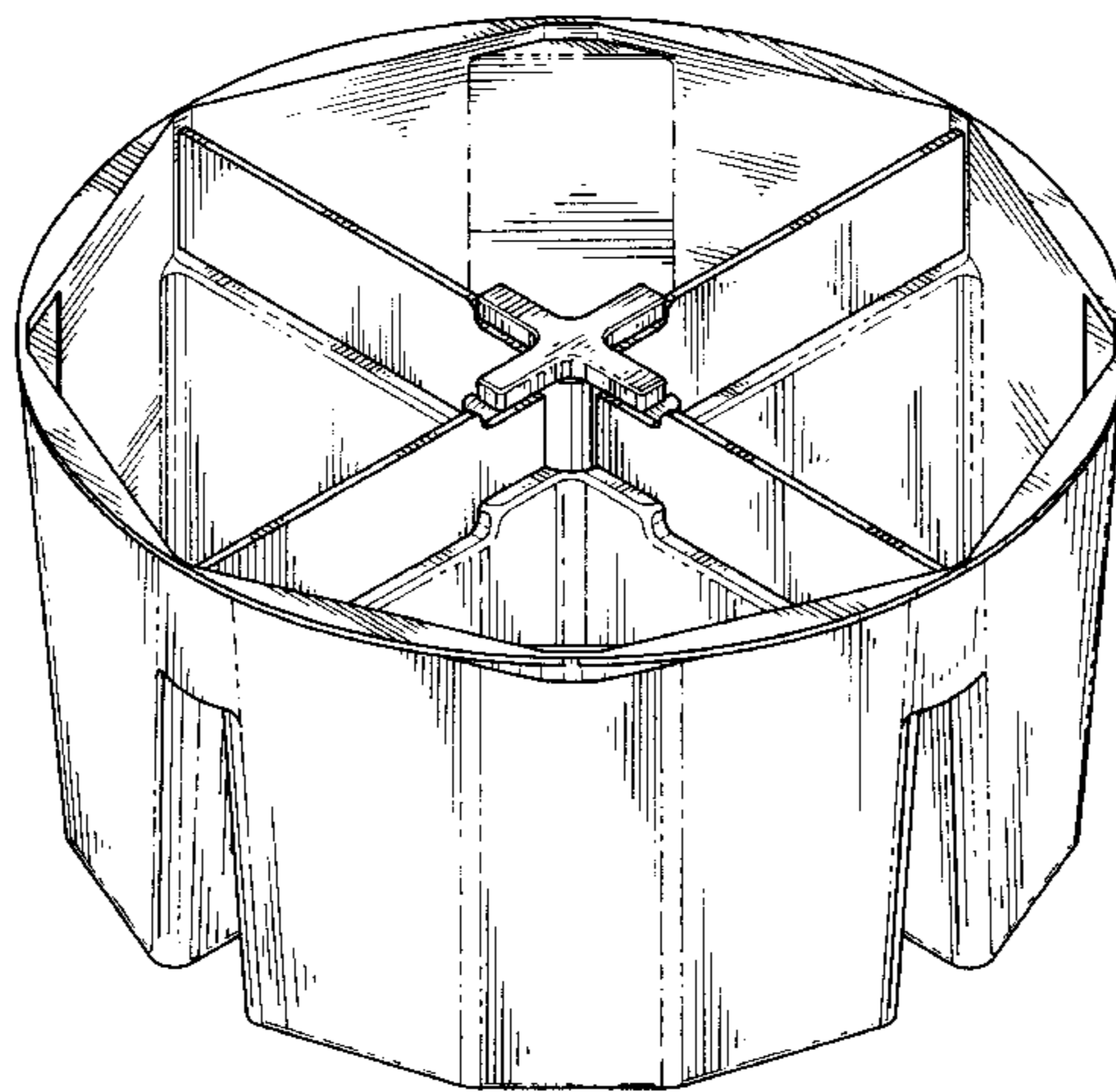


FIG. 1

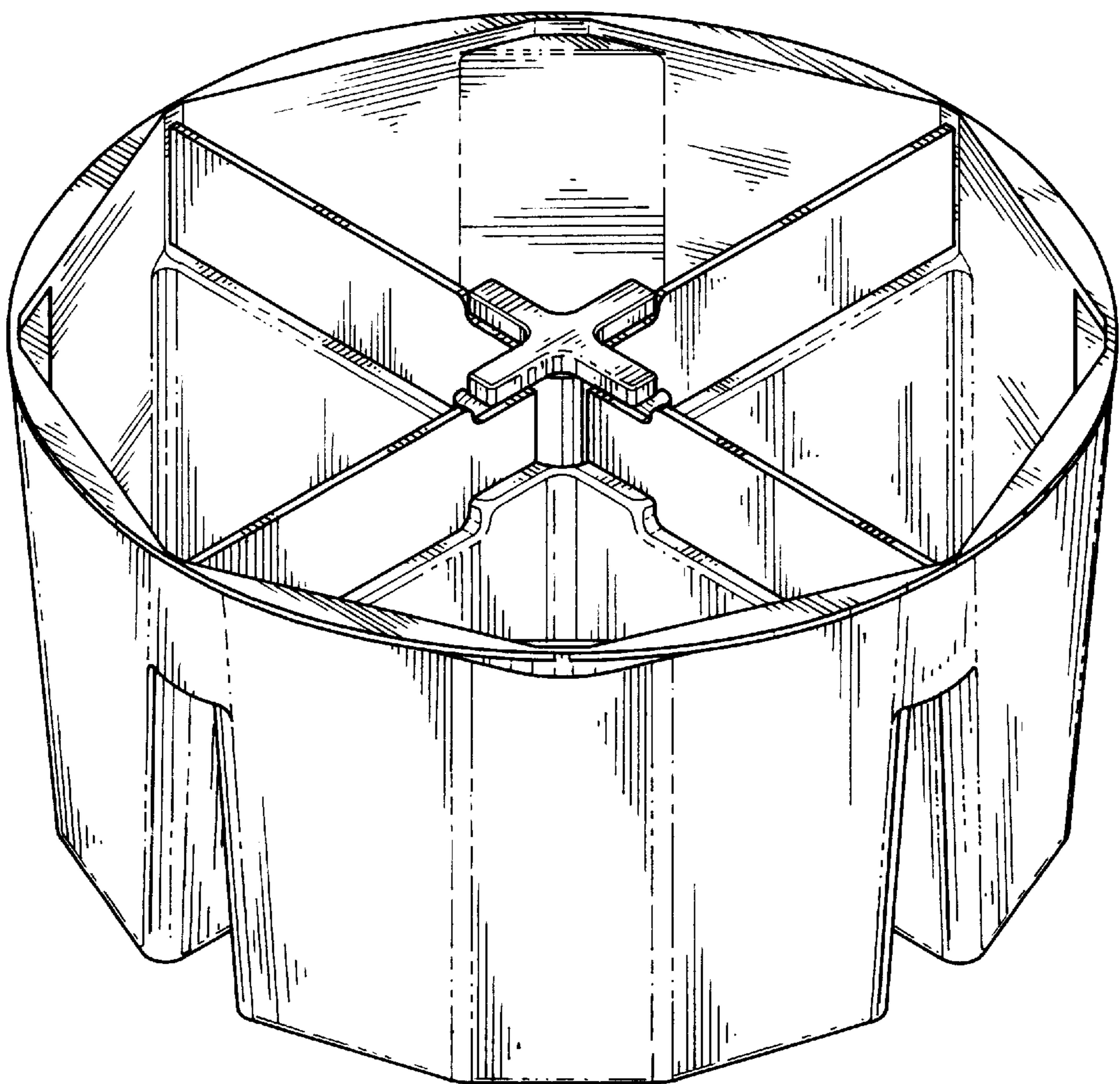


FIG. 2

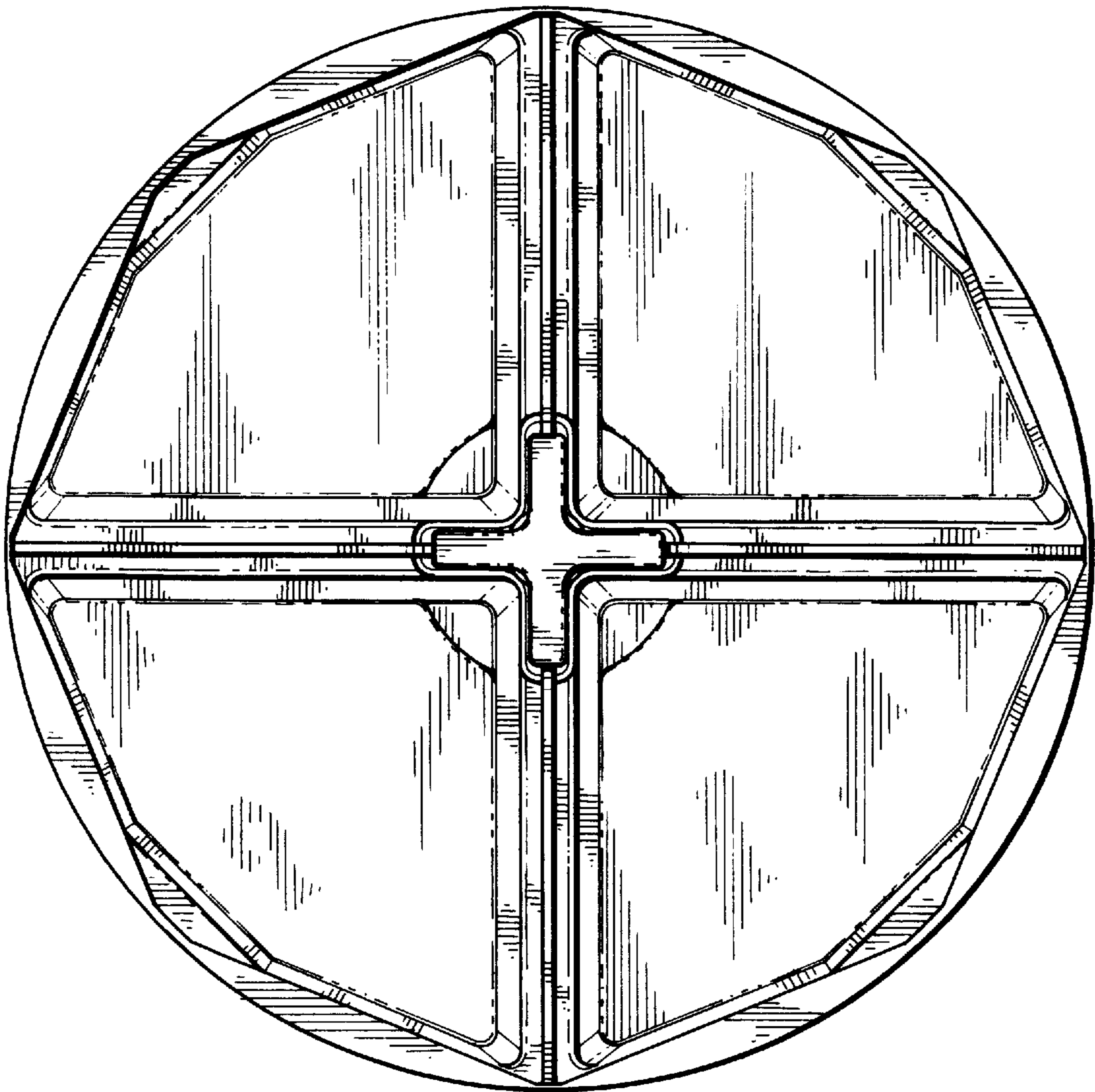


FIG. 3

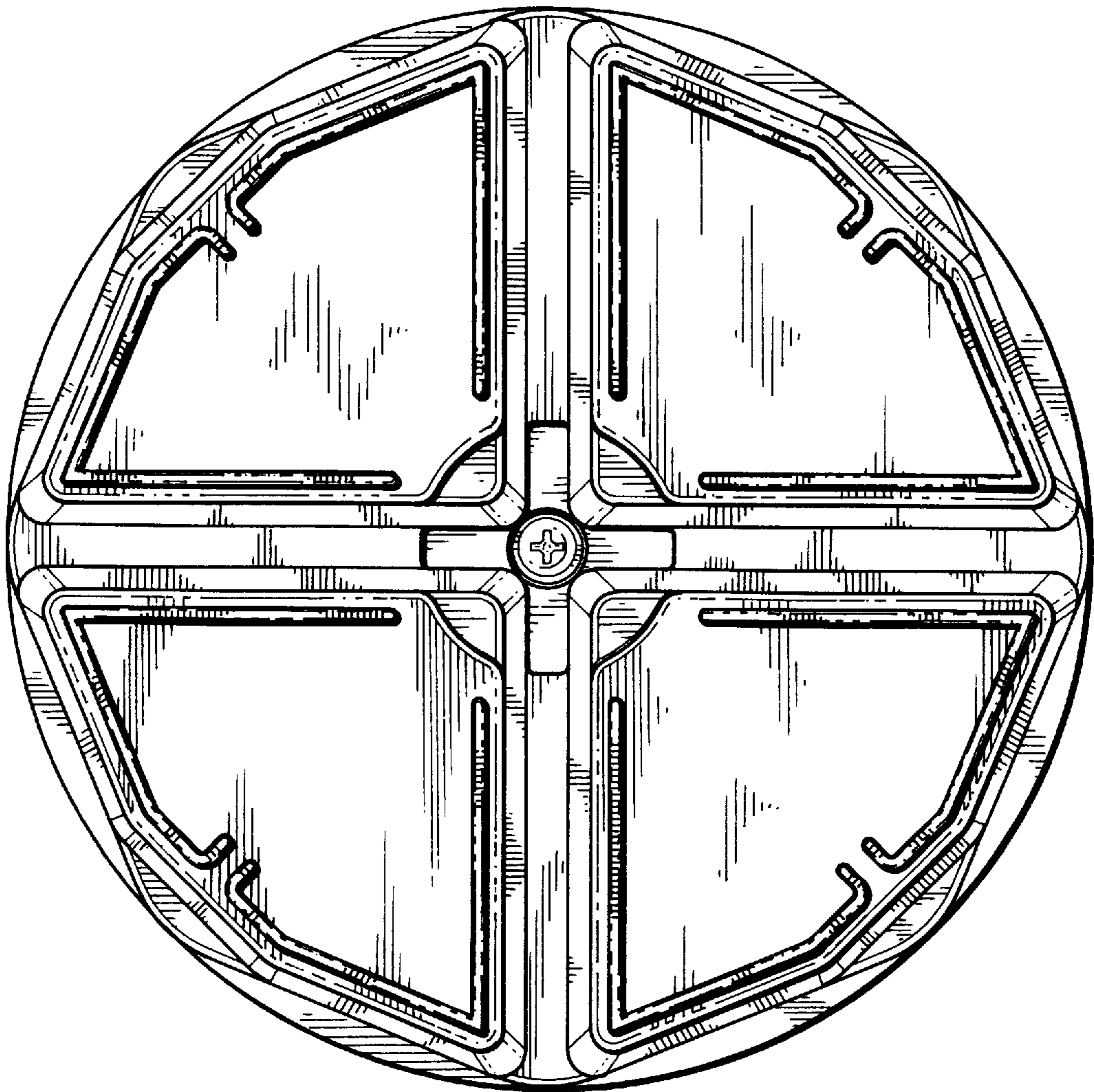


FIG. 4

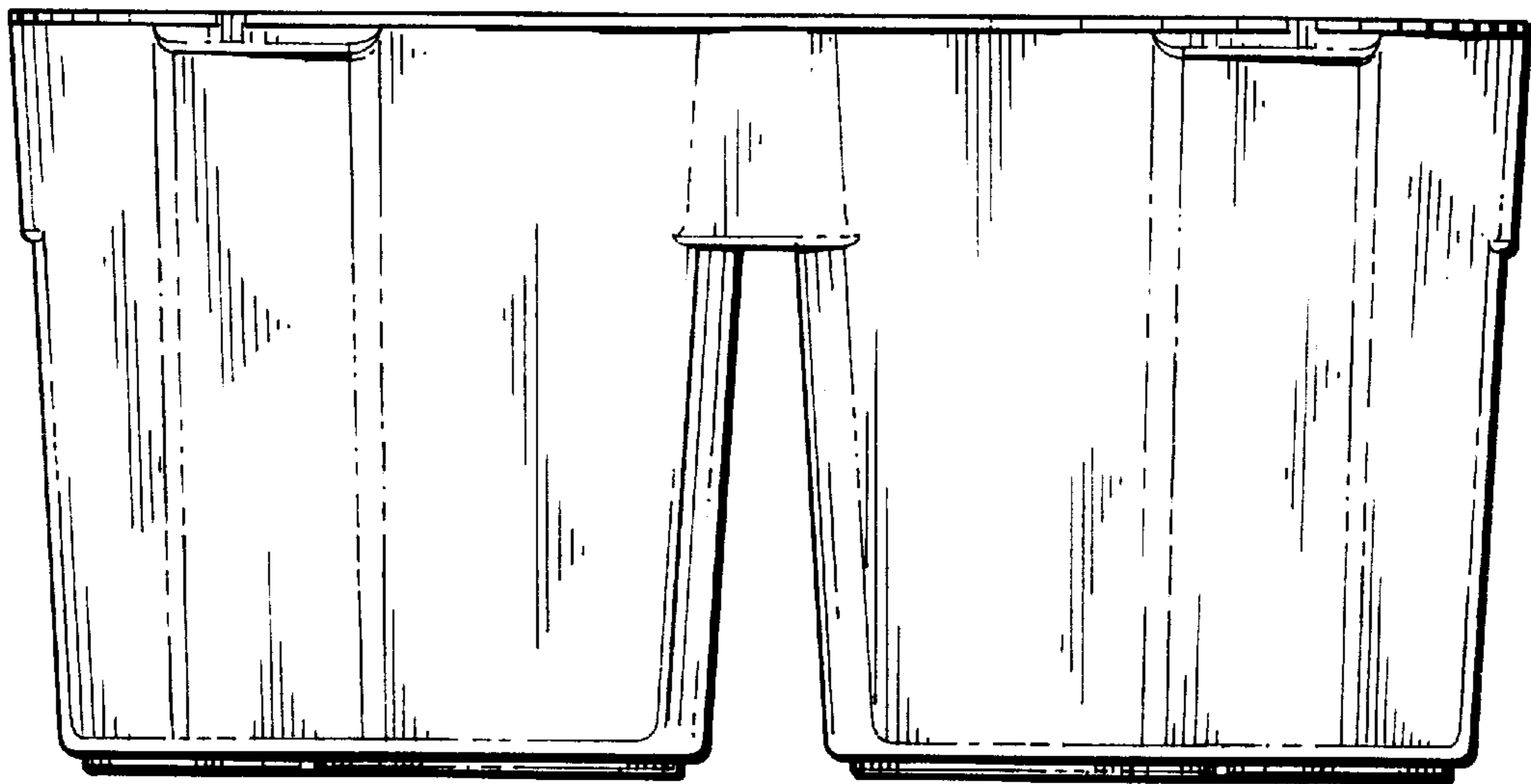


FIG. 5

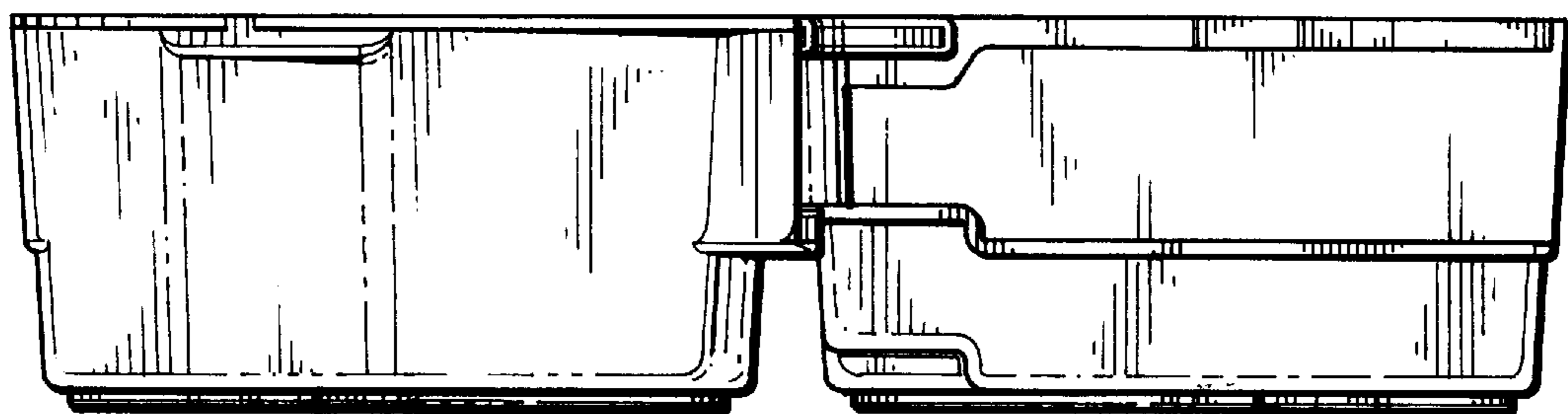
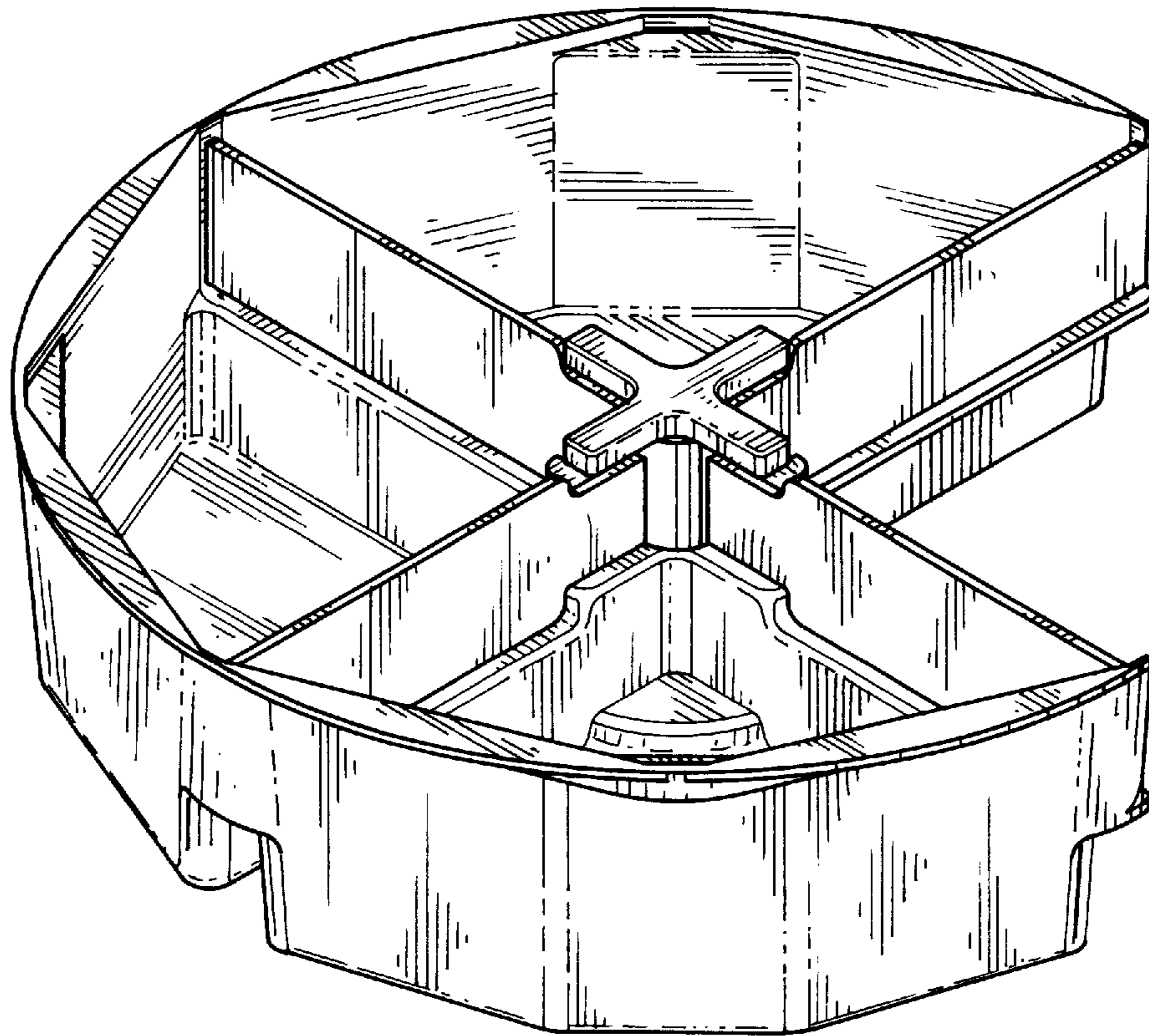


FIG. 6

FIG. 7

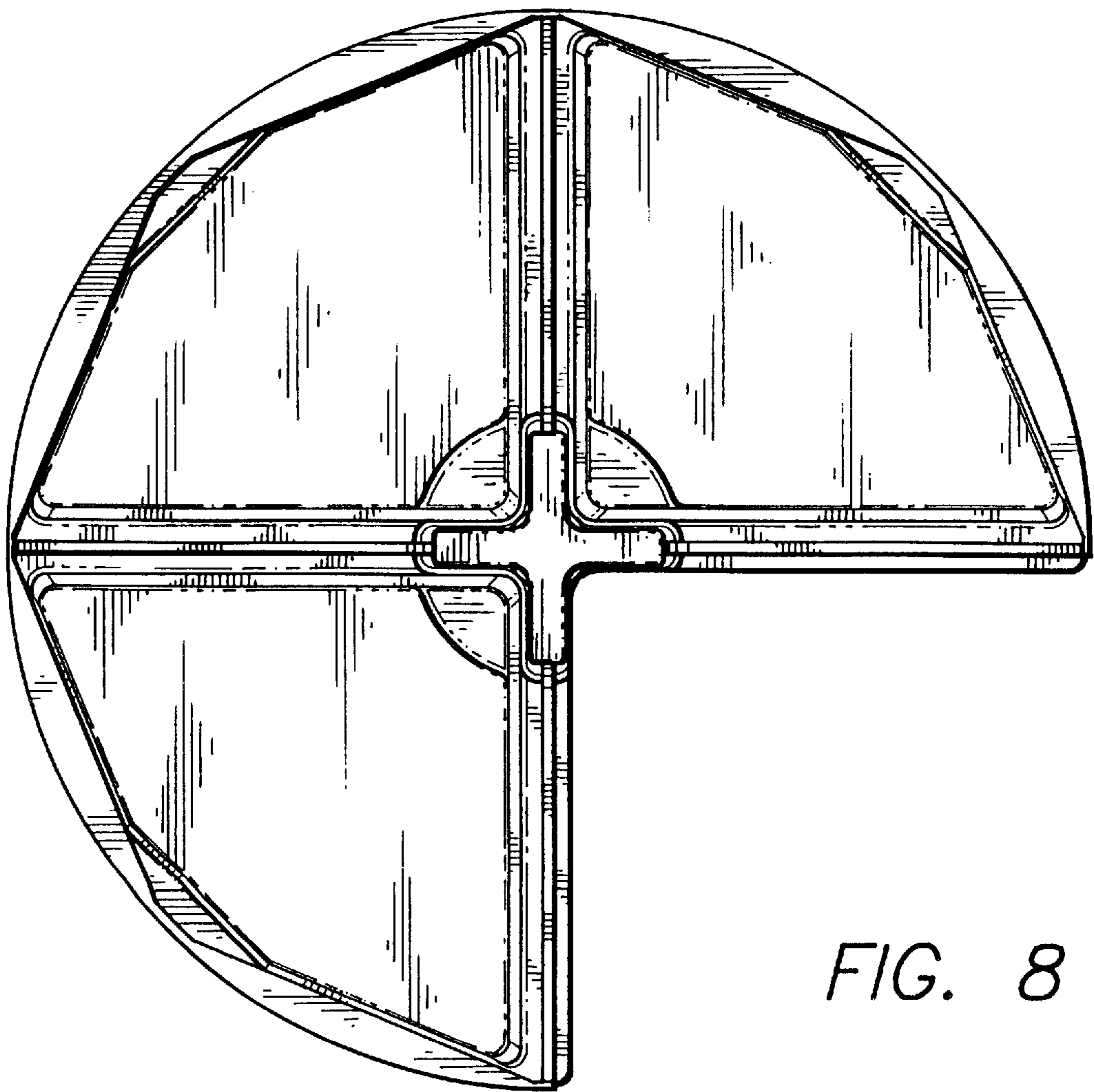
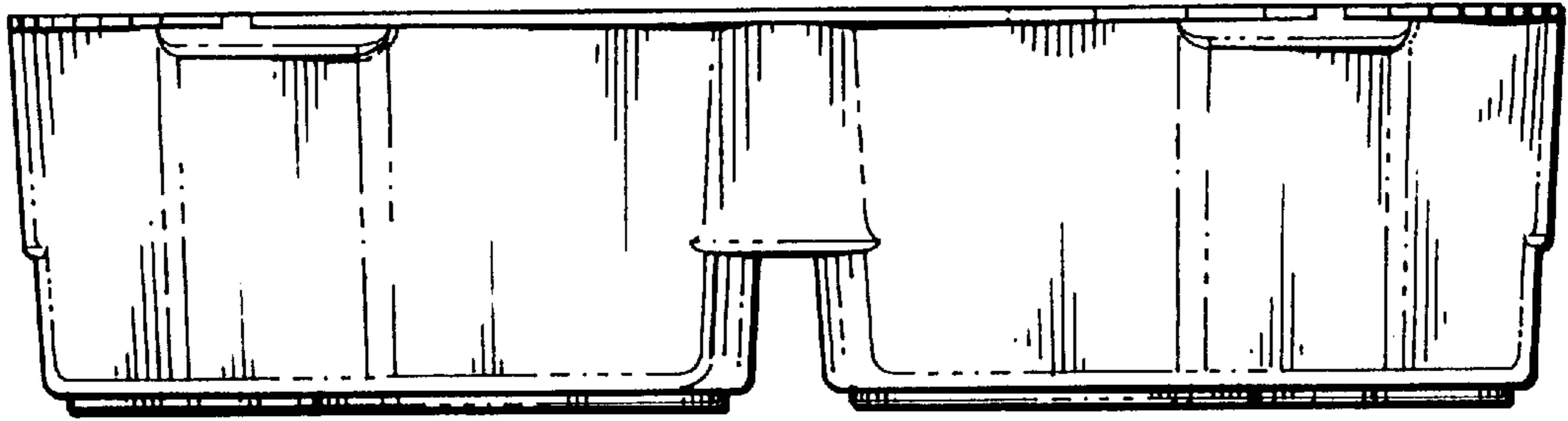


FIG. 8

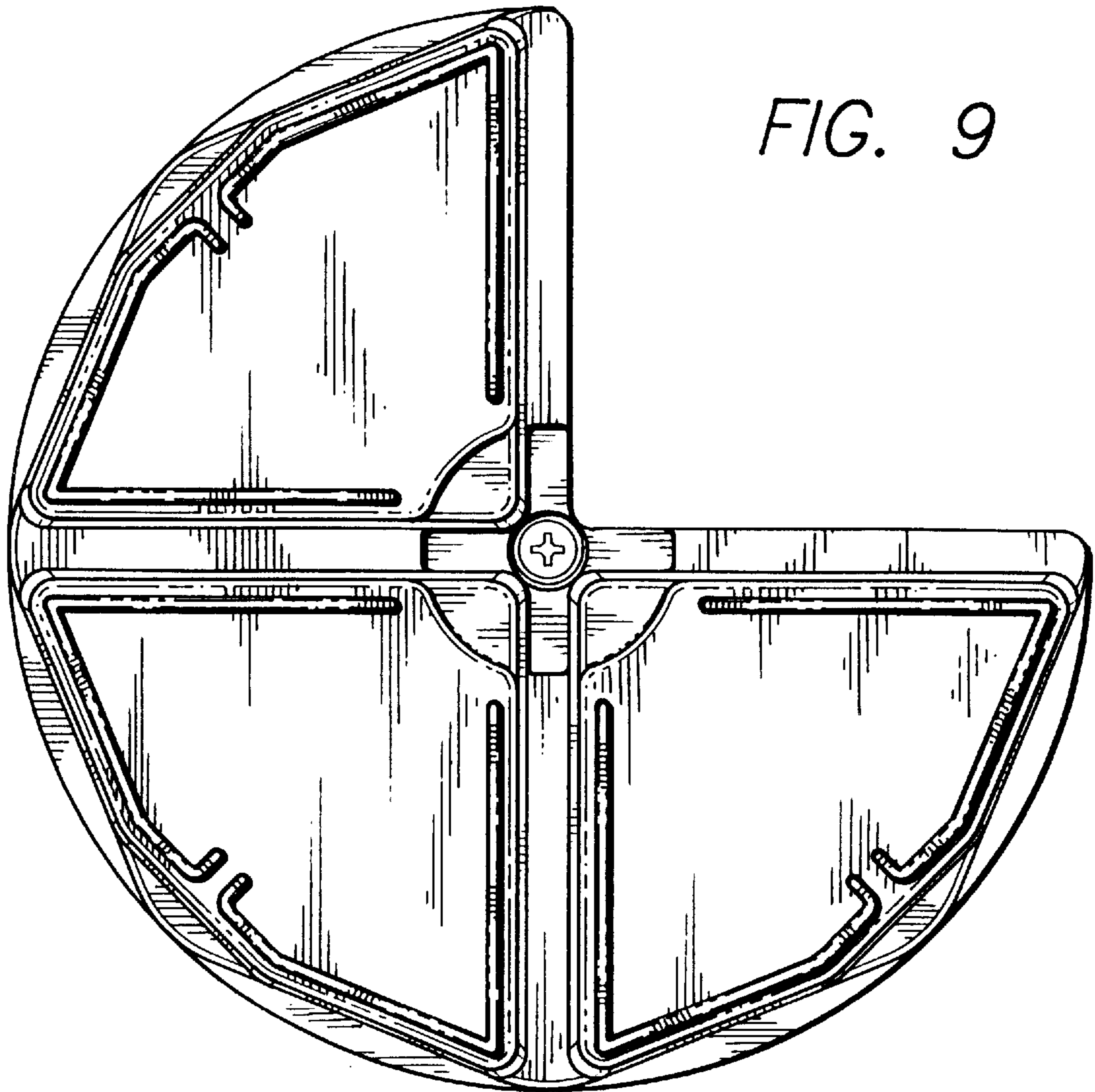


FIG. 9

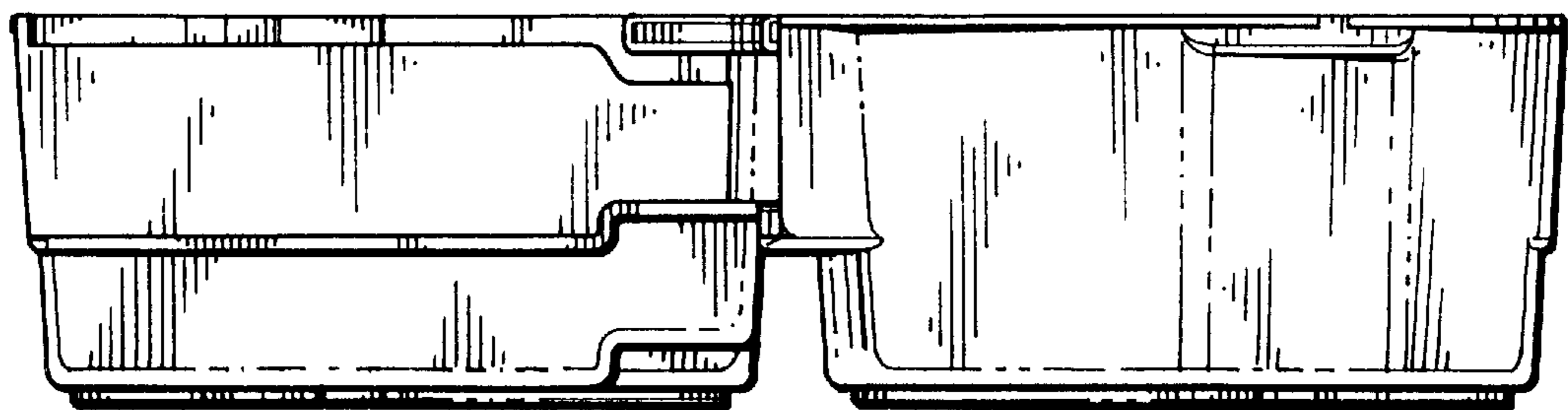


FIG. 10