



US00D399346S

# United States Patent [19] Saari

[11] **Patent Number: Des. 399,346**

[45] **Date of Patent: \*\*Oct. 13, 1998**

[54] **MEDICAL DOSAGE BOX**

5,579,941 12/1996 Romick ..... 206/538 X

[76] Inventor: **Kari Saari**, Forsellesintie 18 C 17,  
Kauniainen, Finland, 02700

### FOREIGN PATENT DOCUMENTS

4615 of 1881 United Kingdom ..... D3/243  
199846 7/1923 United Kingdom ..... D3/251

[\*\*] Term: **14 Years**

*Primary Examiner*—Prabhakar G. Deshmukh  
*Attorney, Agent, or Firm*—Merchant, Gould, Smith, Edell,  
Welter & Schmidt

[21] Appl. No.: **74,897**

[22] Filed: **Aug. 5, 1997**

### [57] CLAIM

[51] **LOC (6) Cl.** ..... **03-01**

[52] **U.S. Cl.** ..... **D3/203; D9/423; D9/346**

The ornamental design for a medical dosage box, as shown  
and described.

[58] **Field of Search** ..... D3/203, 200, 251,  
D3/230, 243, 903; D9/341, 339, 346, 420-424;  
206/528, 538, 539, 828, 823; 150/131,  
132, 152, 153, 112, 114, 118

### DESCRIPTION

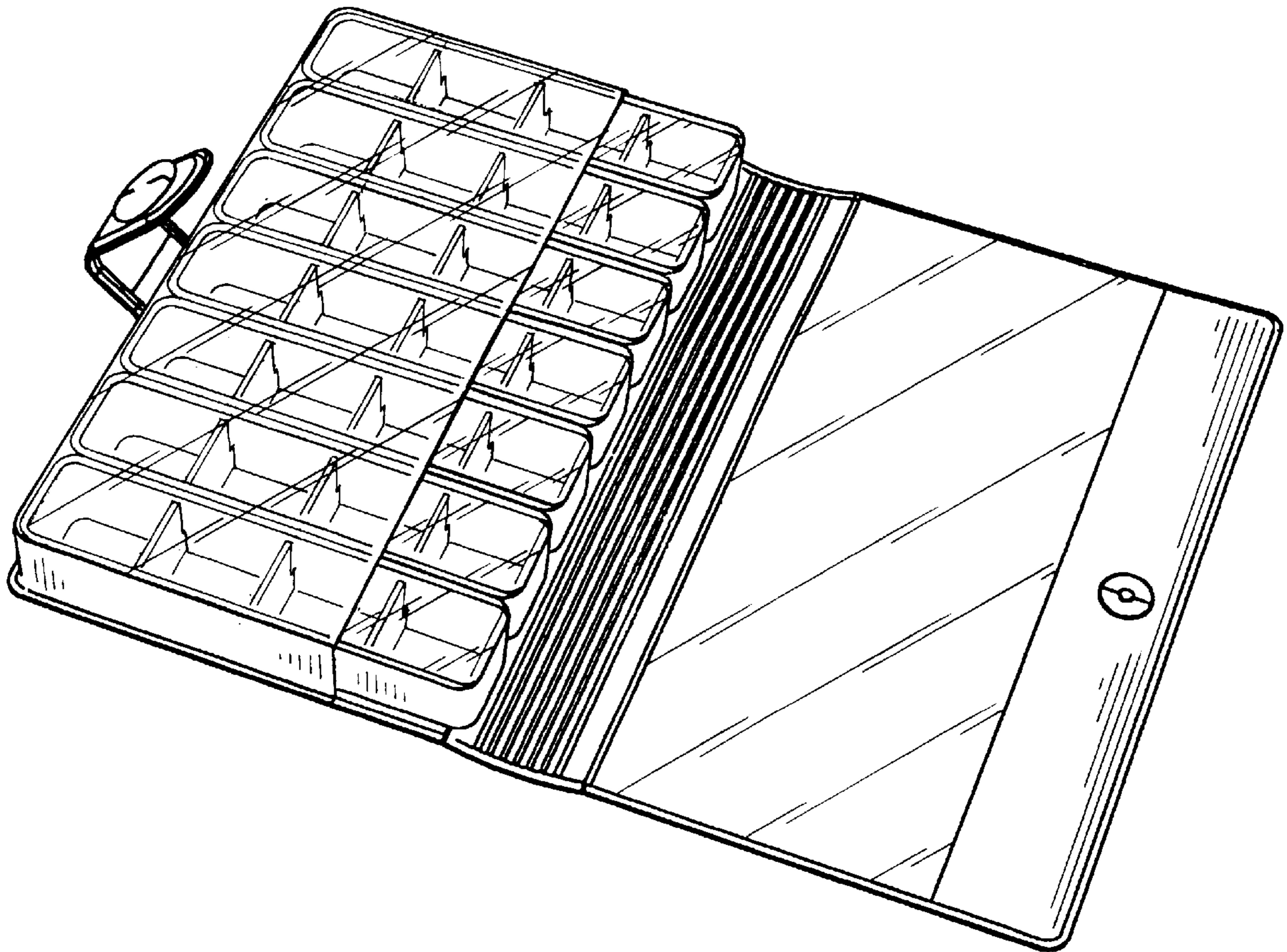
### [56] References Cited

#### U.S. PATENT DOCUMENTS

D. 314,213 1/1991 Bishop ..... D3/203  
D. 324,819 3/1992 Eisenberg ..... D9/341 X  
D. 358,762 5/1995 Walchek, Jr. et al. .... D9/346  
D. 359,908 7/1995 Hawthorne ..... D9/346  
3,078,898 2/1963 Rinaldi ..... D3/251 X  
4,286,639 9/1981 Murphy ..... 150/131 X  
5,109,984 5/1992 Romick ..... 206/539 X  
5,240,113 8/1993 Gibilisco ..... 206/538 X  
5,267,650 12/1993 Gibilisco ..... 206/538 X

FIG. 1 is a front and top perspective view of a medical dosage box in the closed position showing my new design; FIG. 2 is a bottom perspective view in the open position; FIG. 3 is a bottom perspective view of an individual holder installed in the box in FIG. 5; FIG. 4 is a bottom perspective view in the closed position; FIG. 5 is a top perspective view in the open position showing individual holders; and, FIG. 6 is a top perspective view of the subject matter of FIG. 3 with top open. The individual holders in FIGS. 3 and 6 are illustrated separately for clarity of illustration.

**1 Claim, 4 Drawing Sheets**



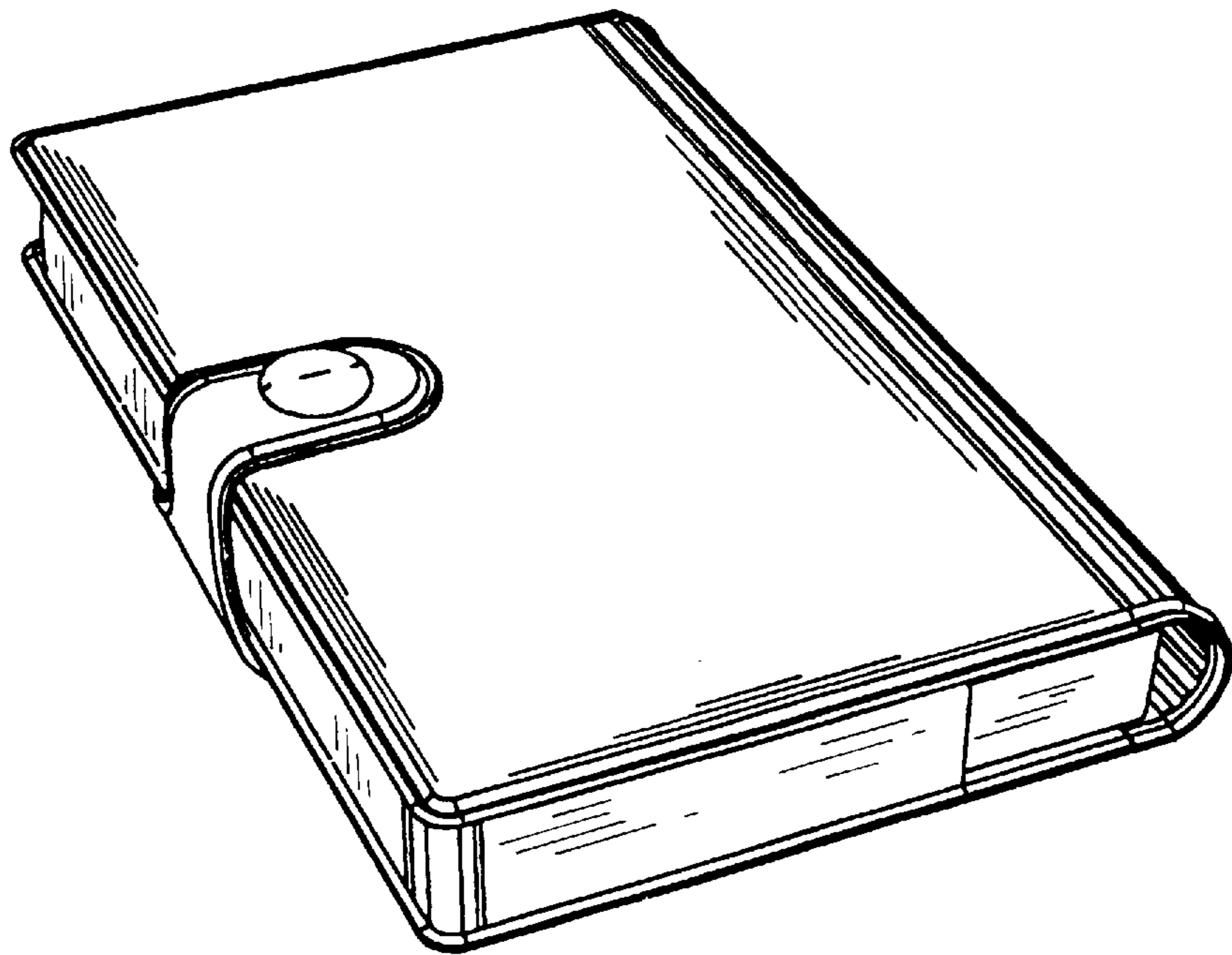


FIG. 1

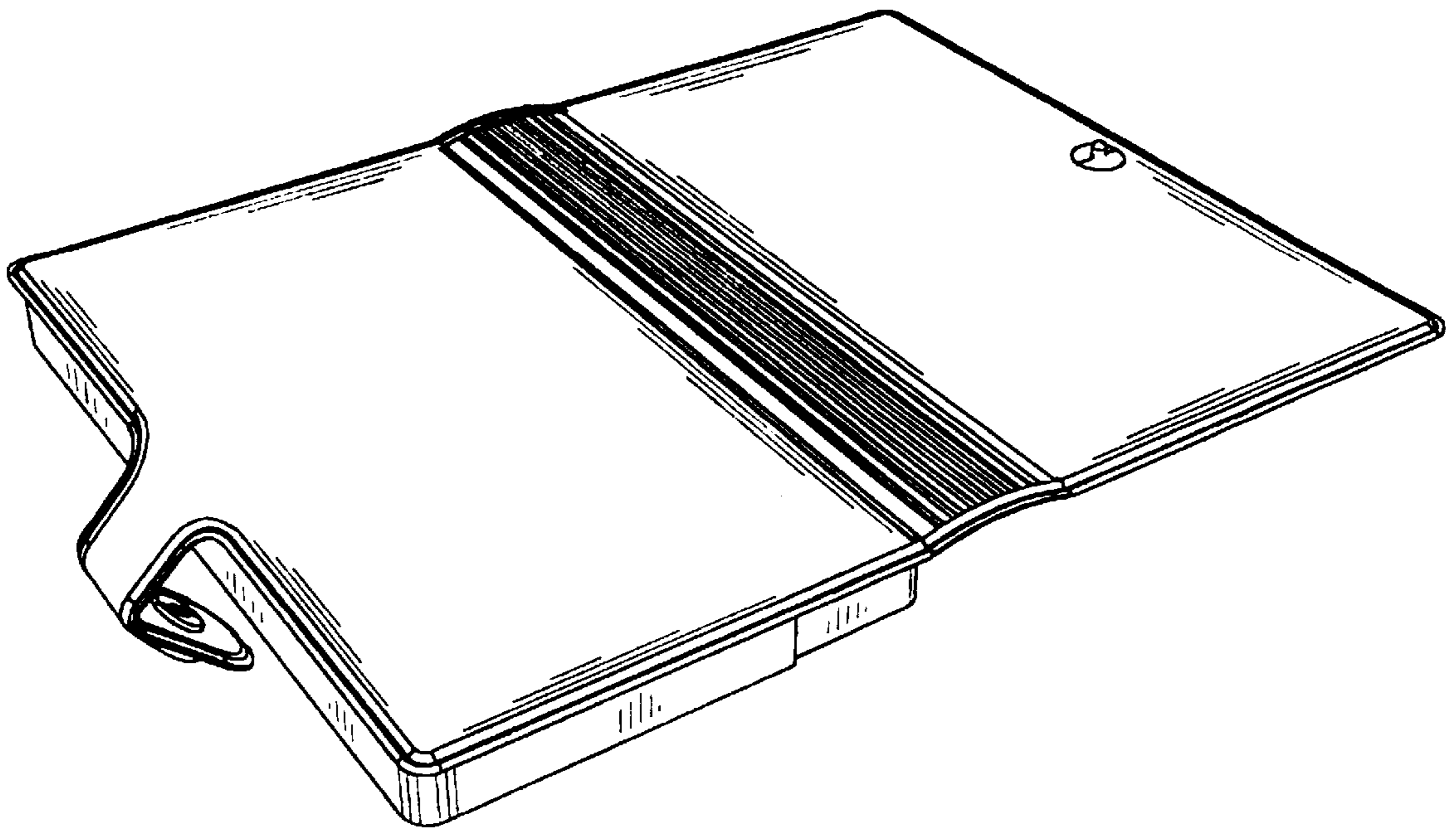


FIG. 2

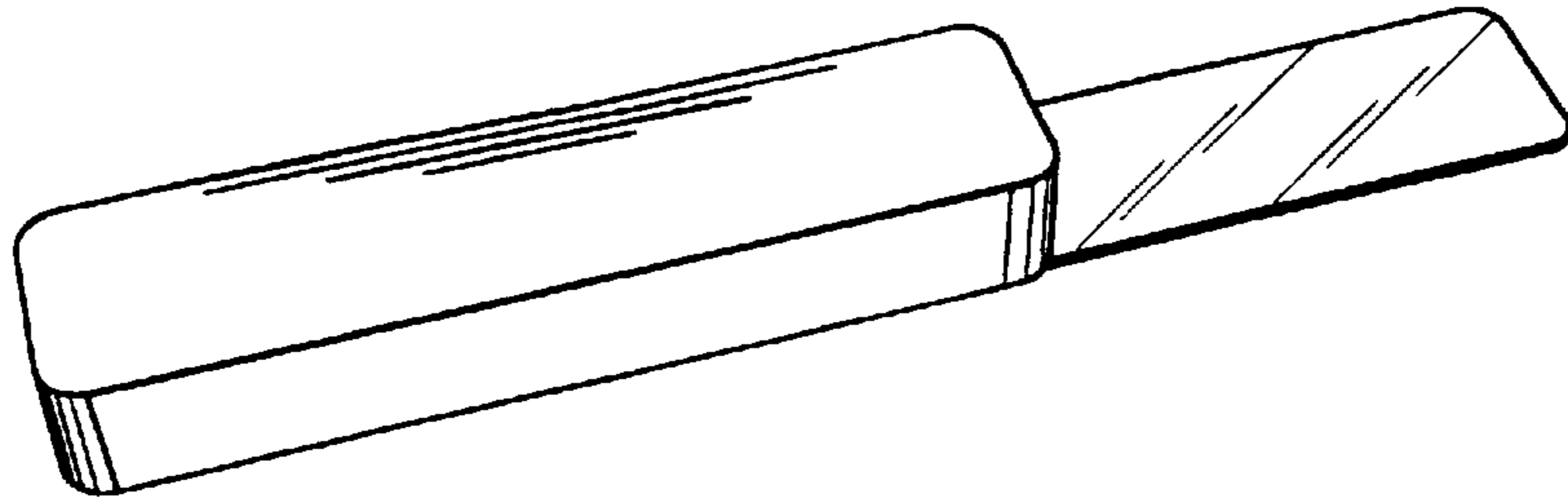


FIG. 3

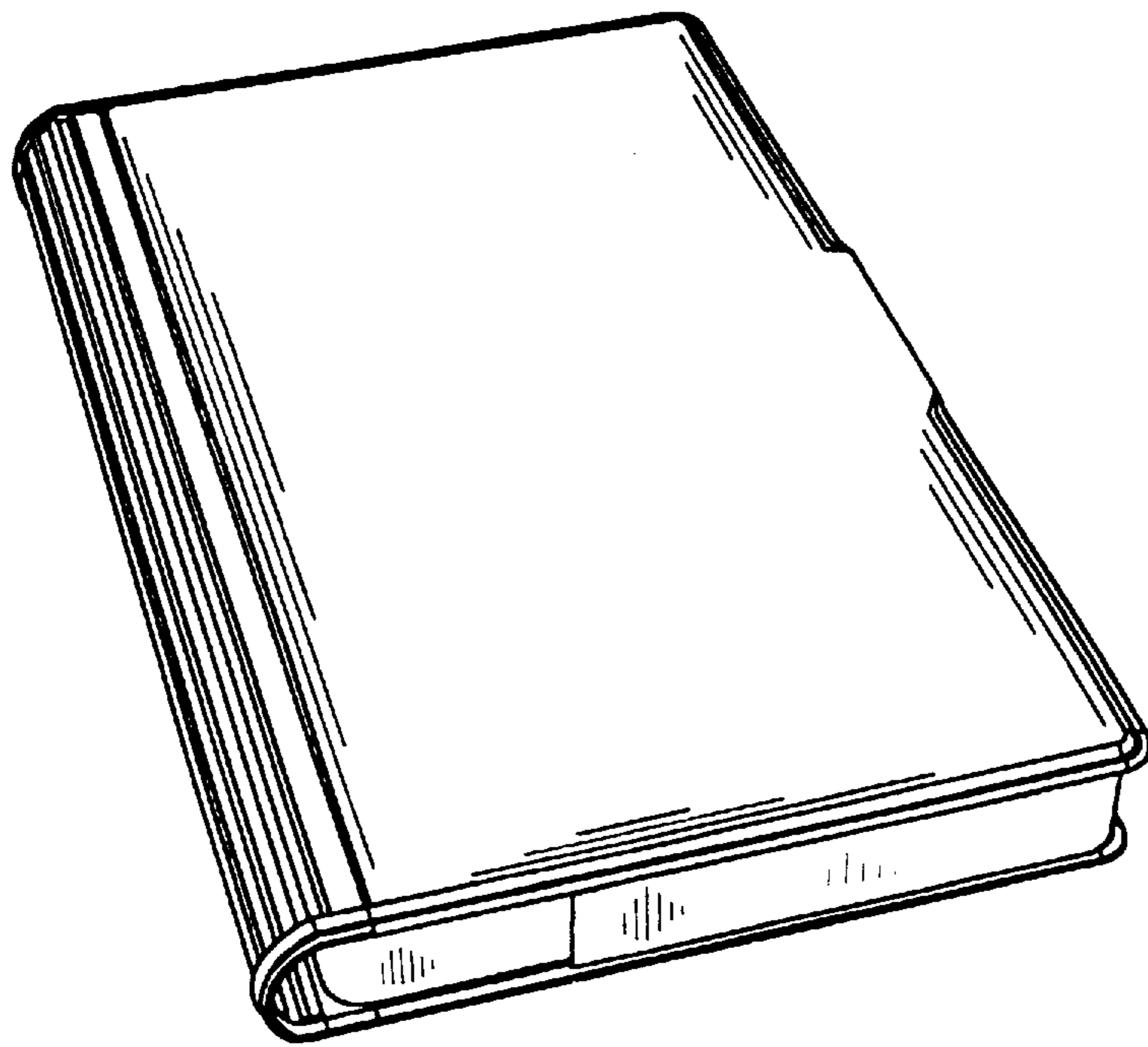


FIG. 4

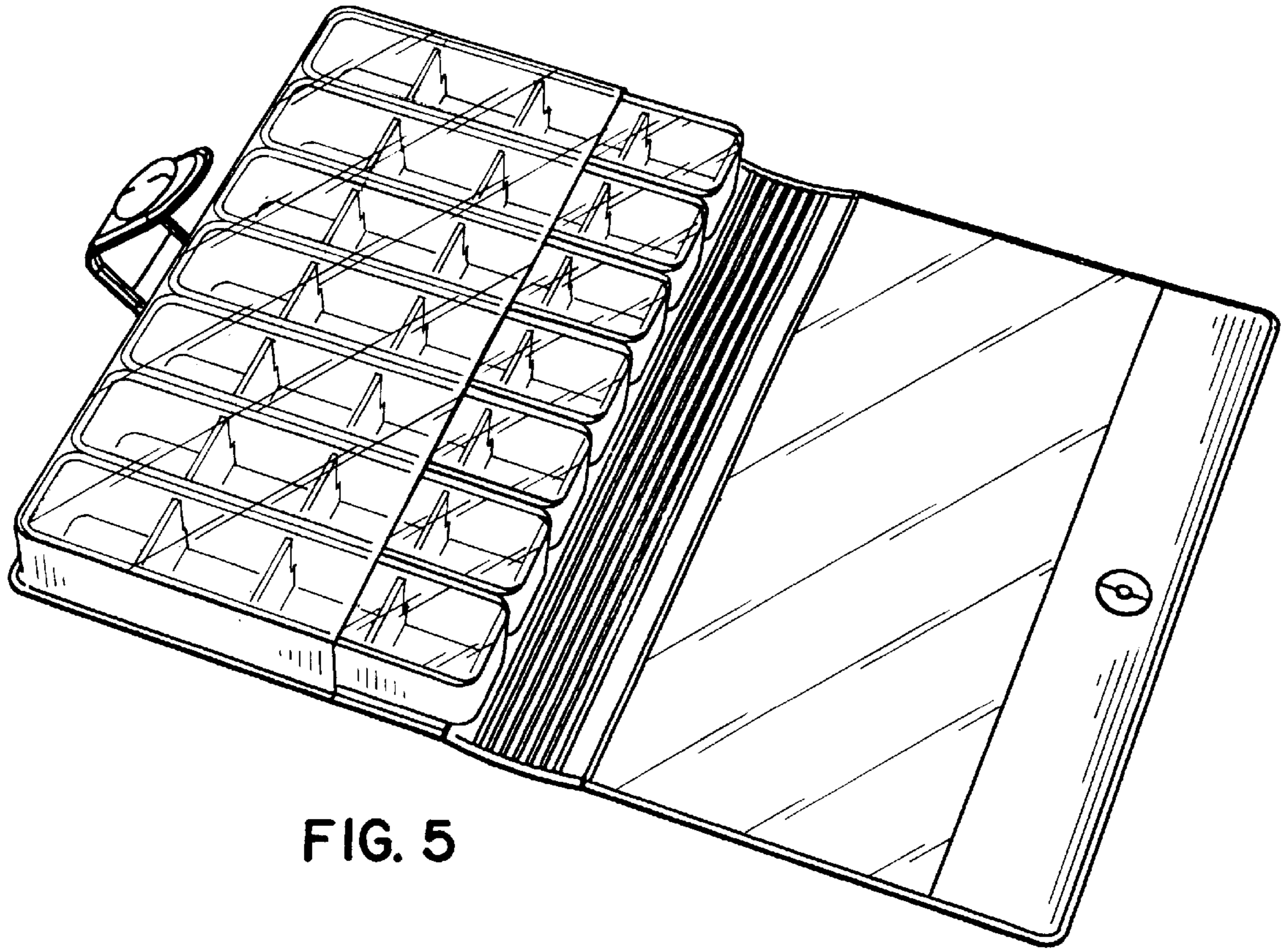


FIG. 5

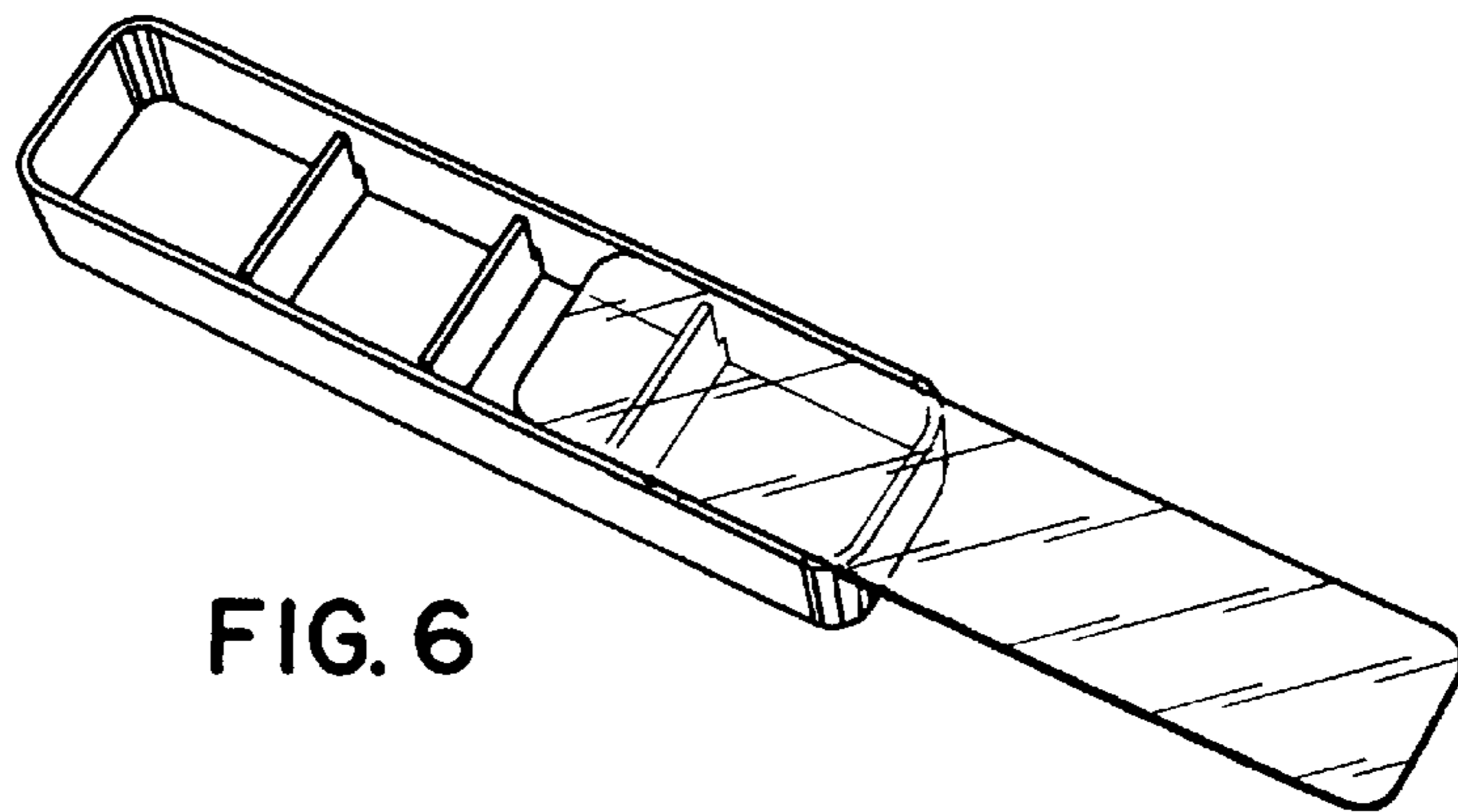


FIG. 6