



US00D399327S

United States Patent [19] Lin

[11] **Patent Number: Des. 399,327**

[45] **Date of Patent: **Oct. 6, 1998**

[54] **ADJUSTABLE TRACKLIGHT**

OTHER PUBLICATIONS

[76] Inventor: **Shan Chaing Lin**, No.2, Lane 111, Ta
chu Road, Lu Chu Hsiang, Taoyuan
Hsien, Taiwan

Home Lighting and Accessories, p. 48, Juno lighting track
light, Jan. 1994.

[**] Term: **14 Years**

Primary Examiner—Susan J. Lucas
Attorney, Agent, or Firm—Pro-Techtor International
Services

[21] Appl. No.: **77,513**

[57] **CLAIM**

[22] Filed: **Oct. 3, 1997**

The ornamental design for a adjustable tracklight, as shown
and described.

[51] **LOC (6) Cl.** **26-05**

[52] **U.S. Cl.** **D26/63**

[58] **Field of Search** D26/24, 61, 63,
D26/65; 362/269, 275, 285, 287, 418, 419,
427, 428, 430

DESCRIPTION

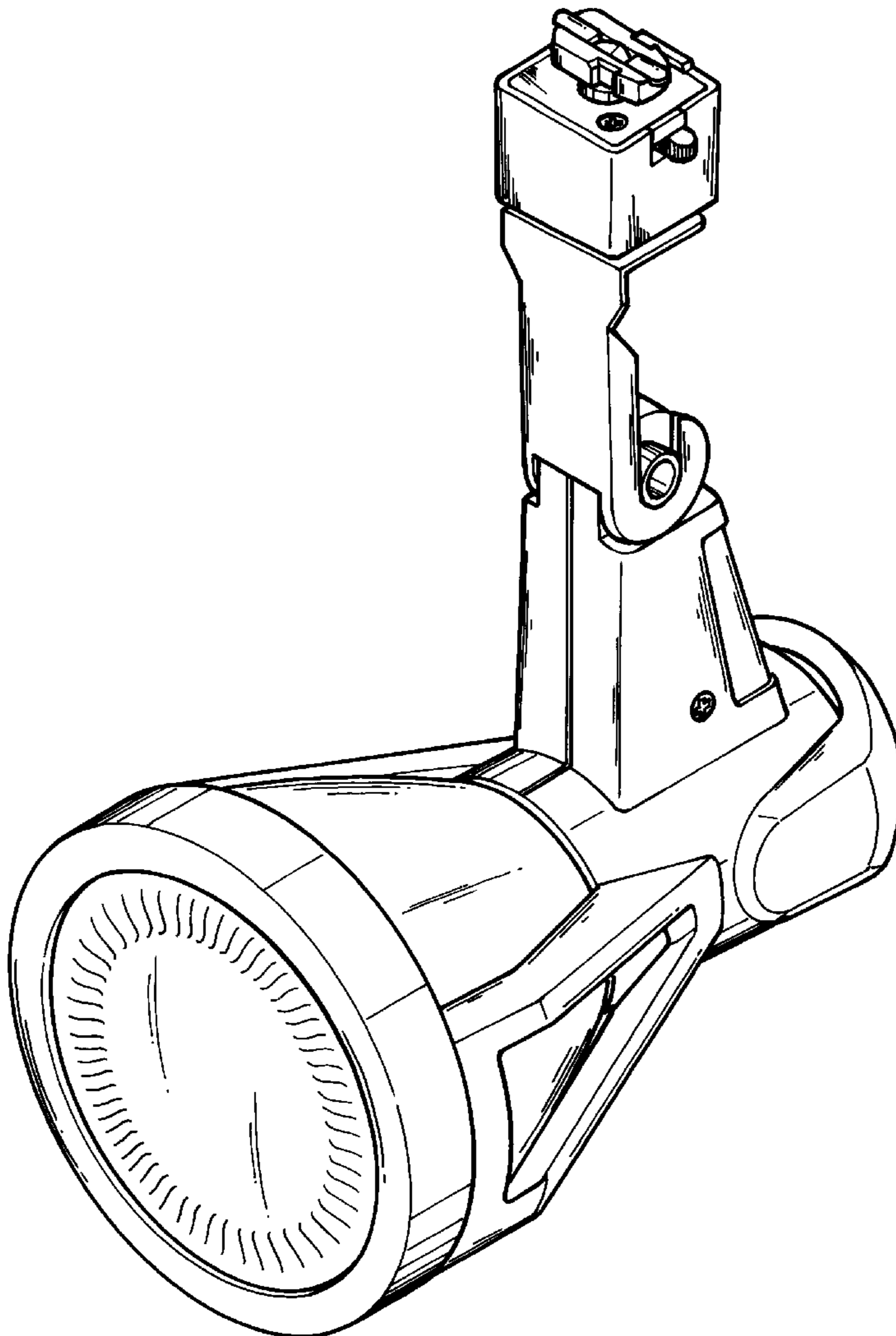
[56] **References Cited**

U.S. PATENT DOCUMENTS

5,535,109 7/1996 Moore et al. 362/269 X
5,676,454 10/1997 De'Armond, Jr. 362/275
5,690,419 11/1997 Siems 362/269

FIG. 1 is a perspective view of a adjustable tracklight
showing my design;
FIG. 2 is a front elevational view thereof;
FIG. 3 is a rear elevational view thereof;
FIG. 4 is a left side elevational view thereof;
FIG. 5 is a right side elevational view thereof;
FIG. 6 is a top plan view thereof; and,
FIG. 7 is a bottom plan view thereof.

1 Claim, 6 Drawing Sheets



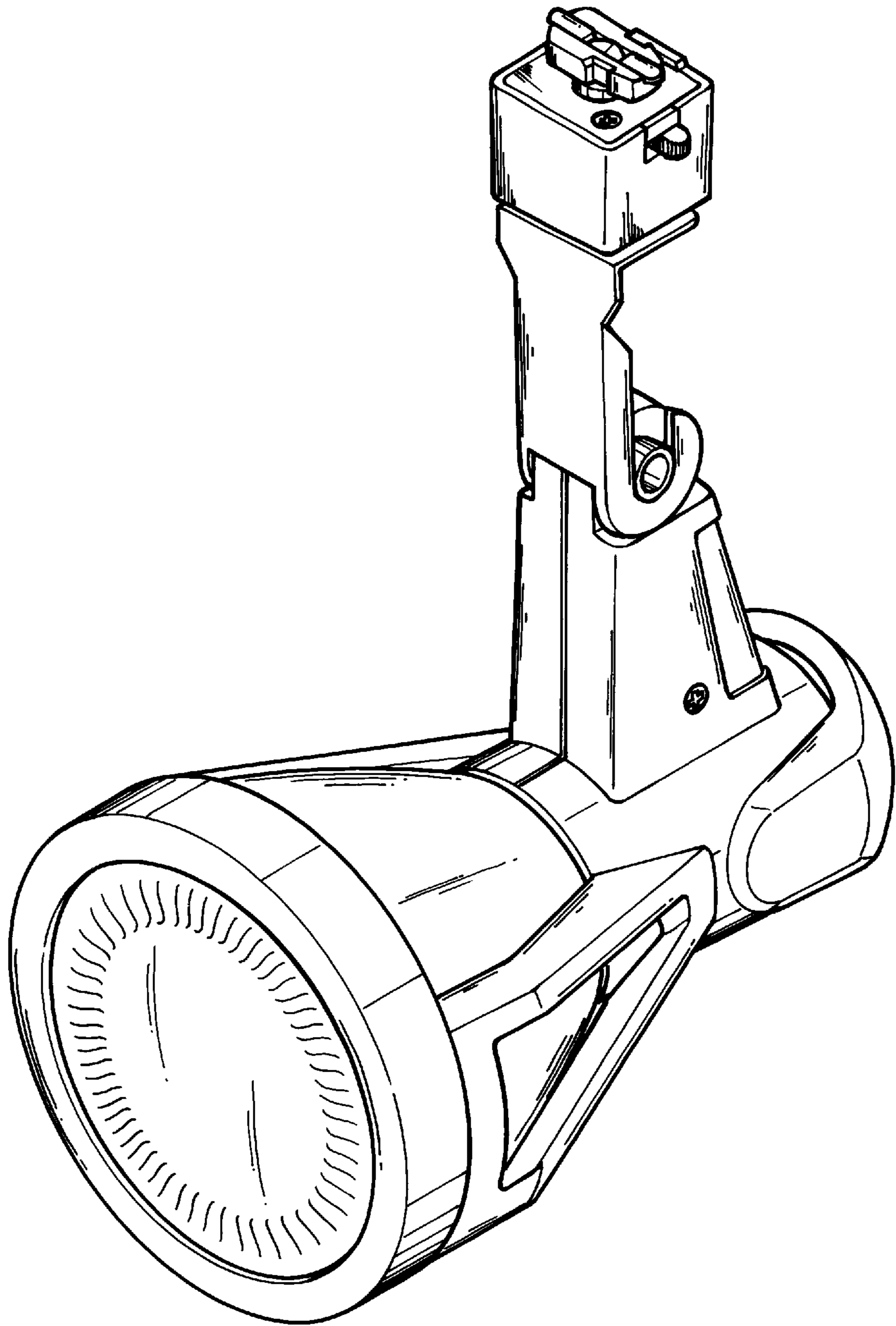


FIG. 1

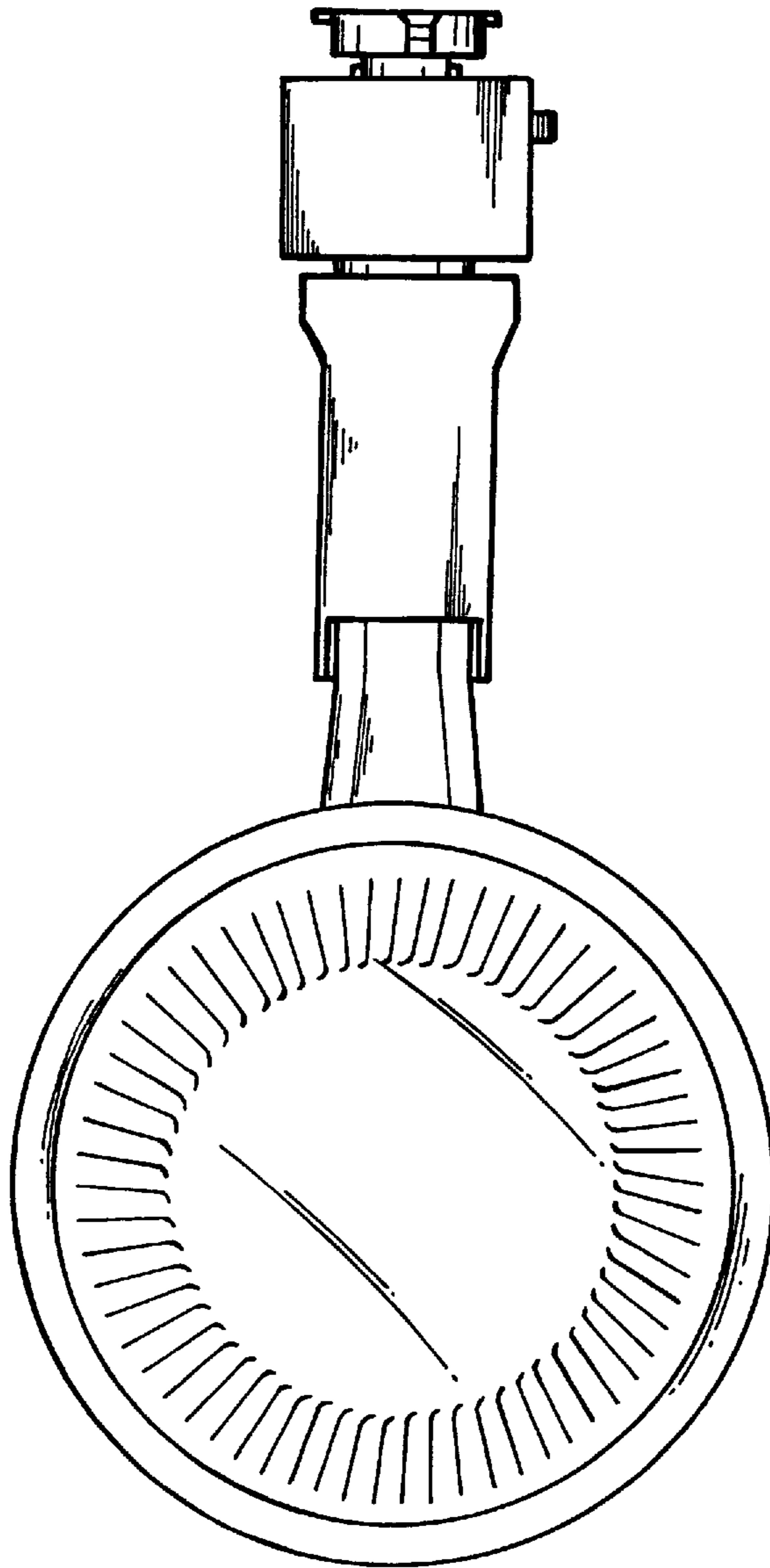


FIG. 2

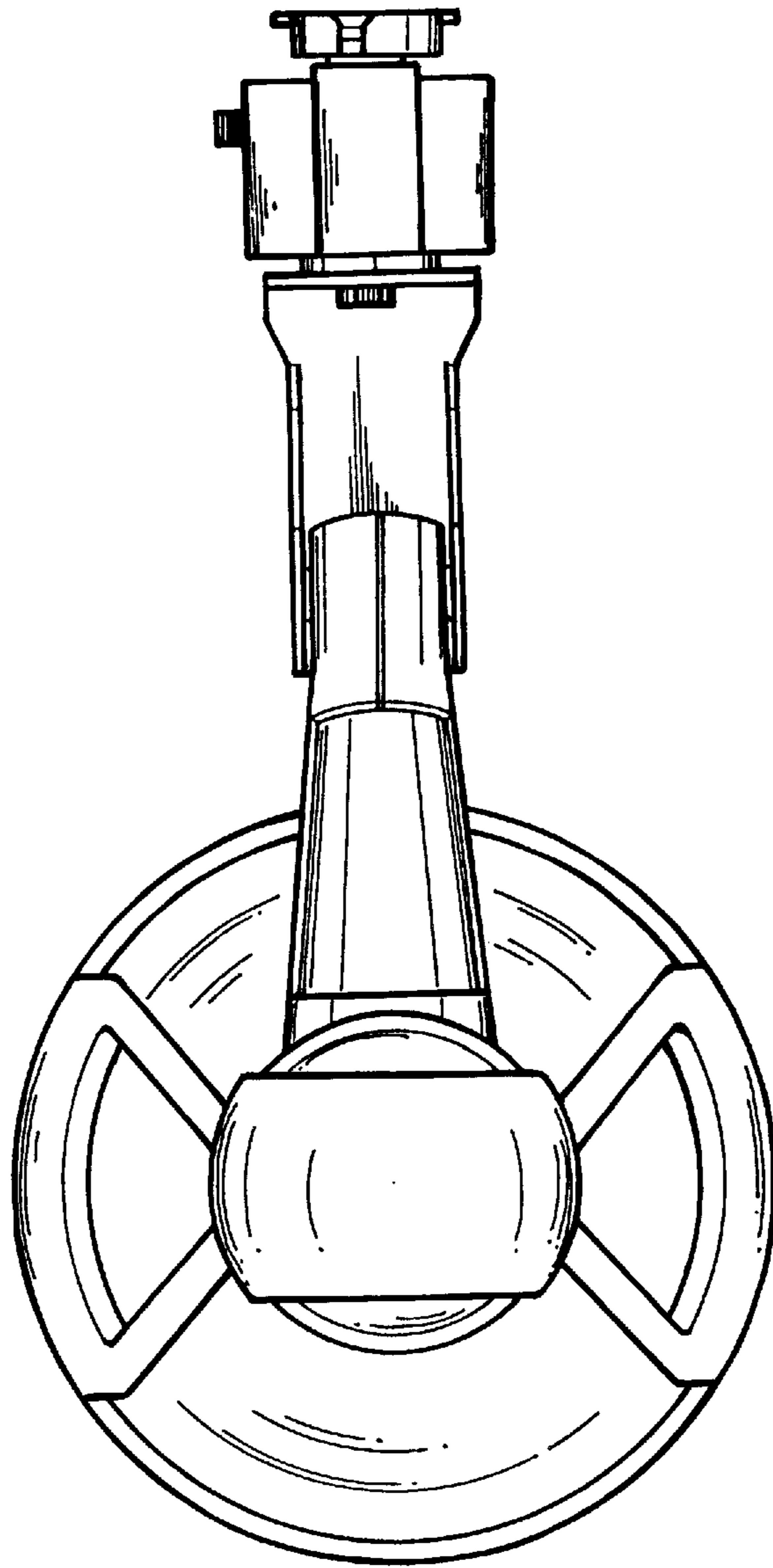


FIG. 3

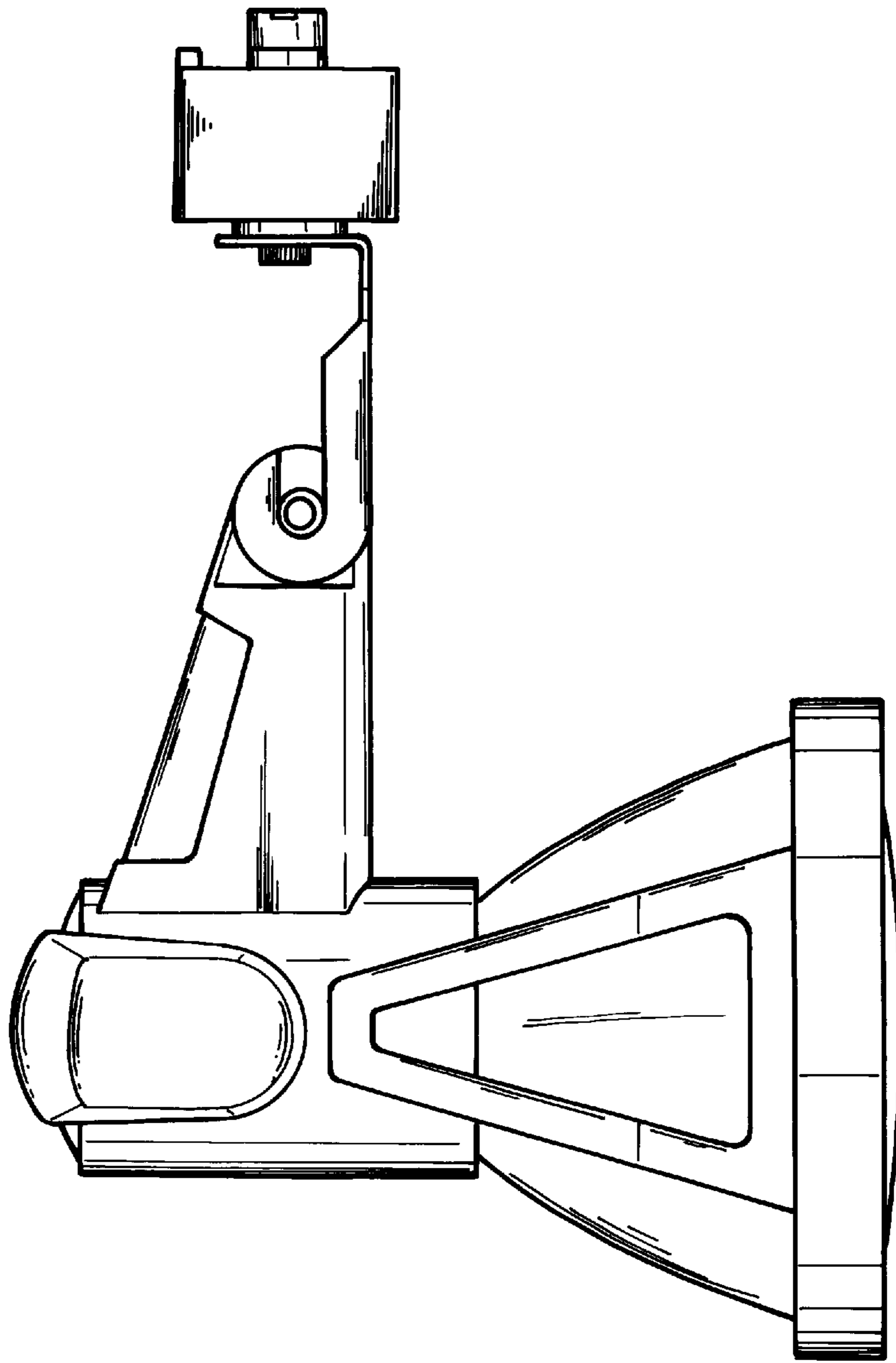


FIG. 4

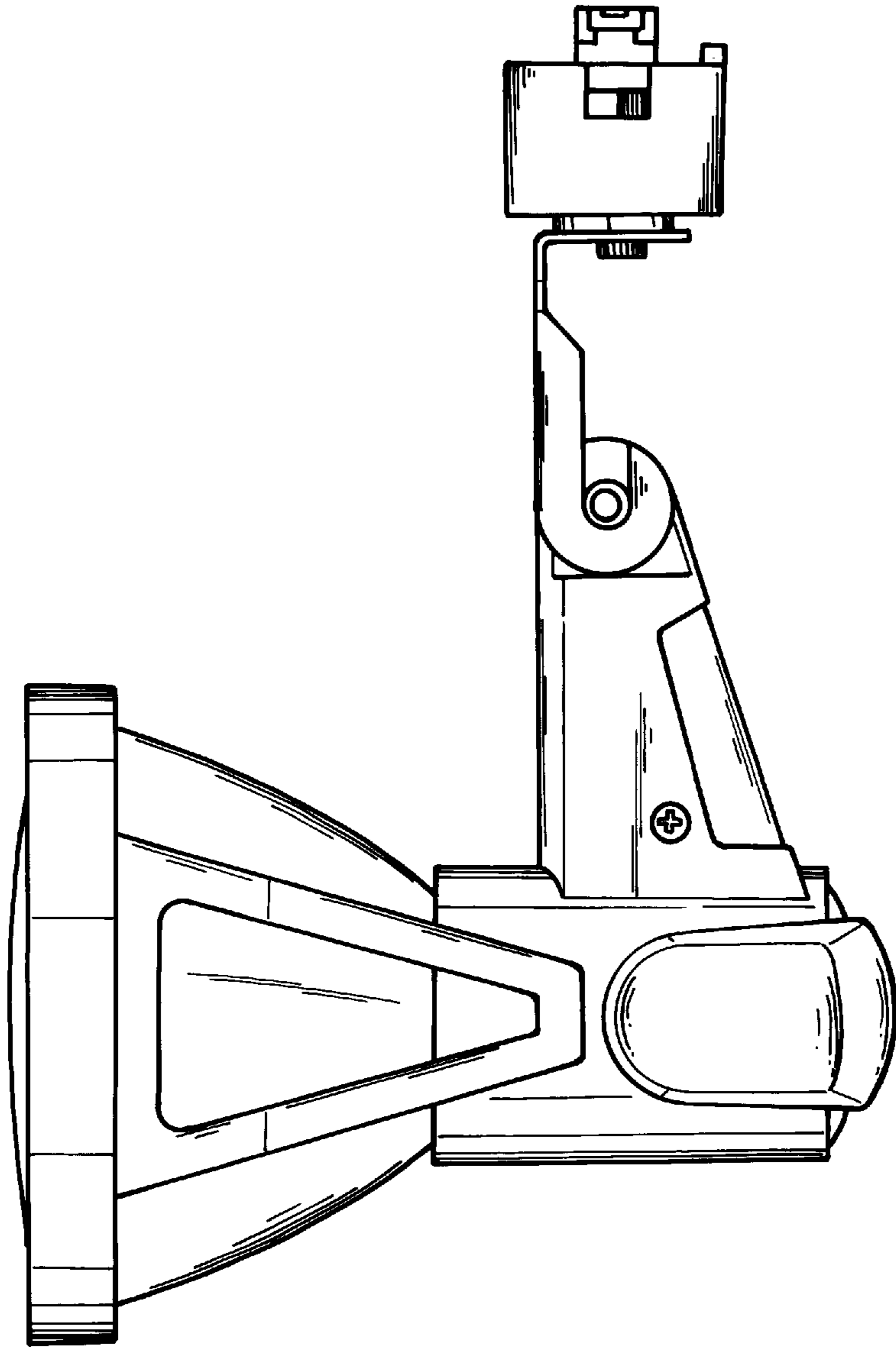


FIG. 5

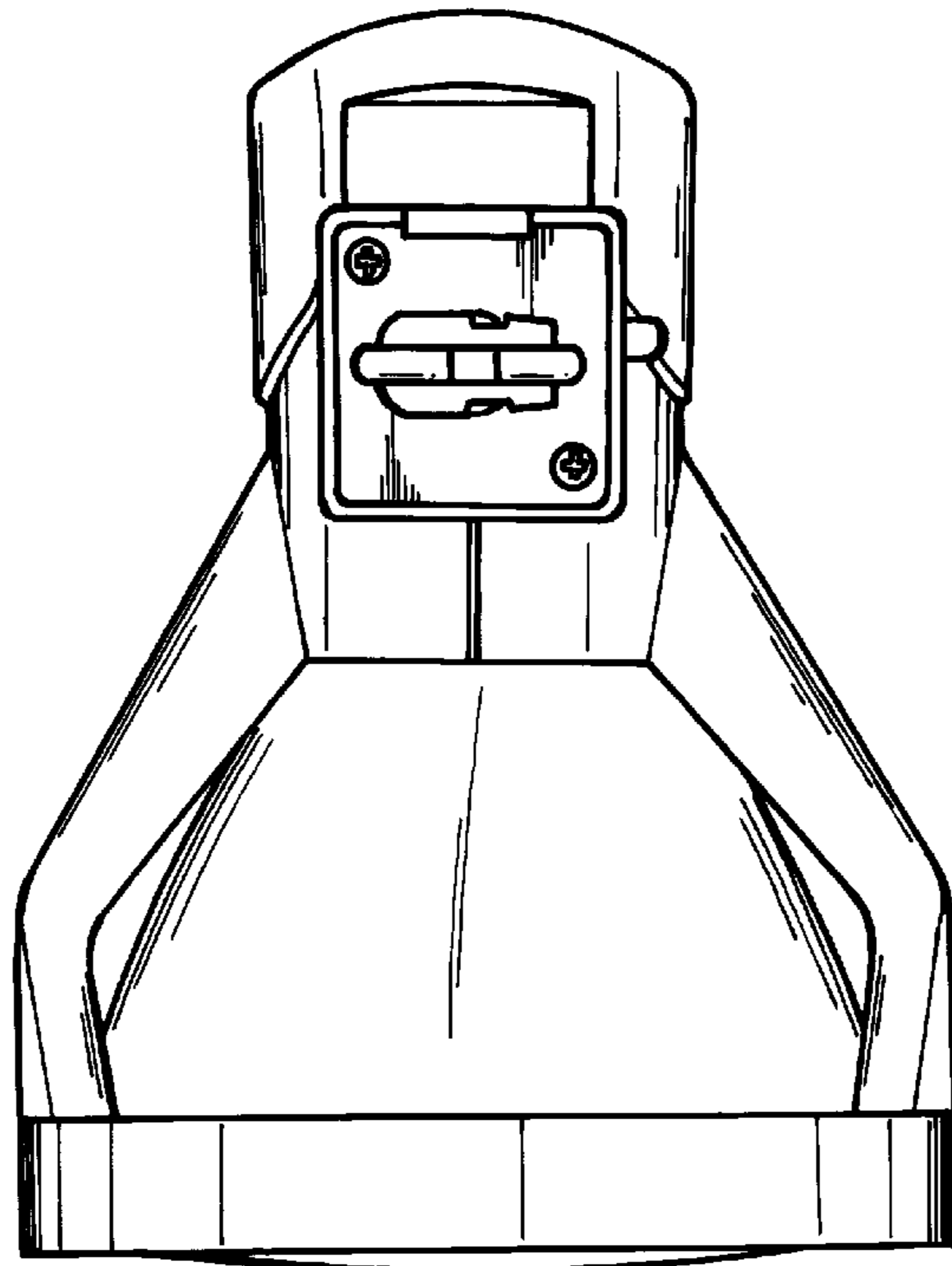


FIG 6

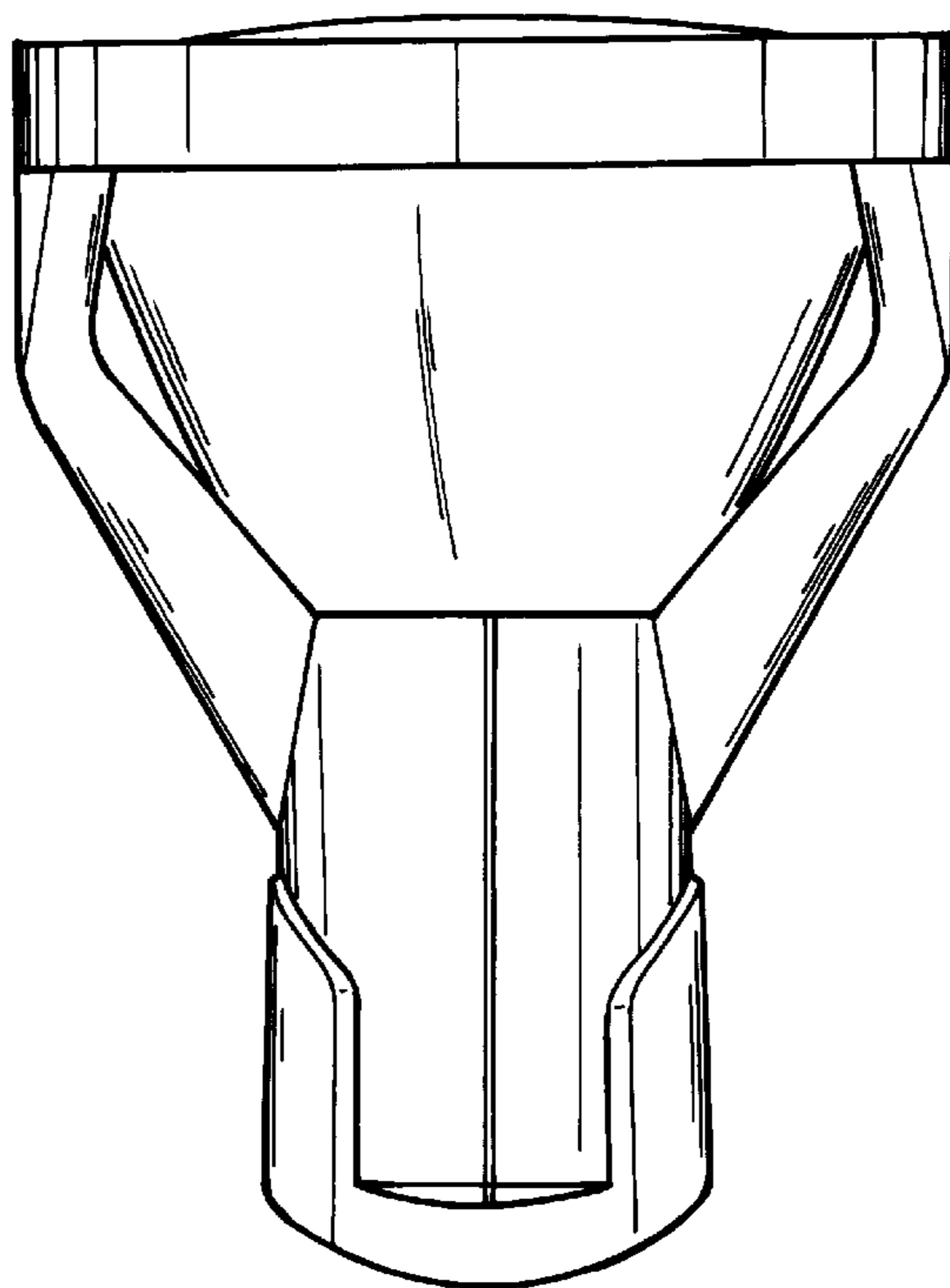


FIG. 7