



US00D399326S

United States Patent [19] Kelly

[11] **Patent Number: Des. 399,326**

[45] **Date of Patent: **Oct. 6, 1998**

[54] **AUXILIARY LIGHT FOR A VEHICLE**

[75] Inventor: **Fred E. Kelly**, Oakville, Canada

[73] Assignee: **The Louis Berkman Company**,
Steubenville, Ohio

[**] Term: **14 Years**

[21] Appl. No.: **80,246**

[22] Filed: **Dec. 5, 1997**

[51] **LOC (6) Cl.** **26-06**

[52] **U.S. Cl.** **D26/28**

[58] **Field of Search** D26/28-36; 362/80,
362/81, 82, 83, 326, 329-340, 418, 419

[56] **References Cited**

U.S. PATENT DOCUMENTS

- D. 243,274 2/1977 Miceli .
- D. 255,167 5/1980 Hetrick .
- D. 260,937 9/1981 Hetrick .
- D. 266,599 10/1982 Suzuki D26/28
- D. 372,317 7/1996 Hijima D26/28

- D. 372,995 8/1996 Huang D26/28
- D. 376,661 12/1996 Matthies D26/28
- D. 390,979 2/1998 Yamamoto D26/28
- D. 390,980 2/1998 Yamamoto D26/28

Primary Examiner—Marcus A. Jackson
Attorney, Agent, or Firm—Vickers, Daniels & Young

[57] **CLAIM**

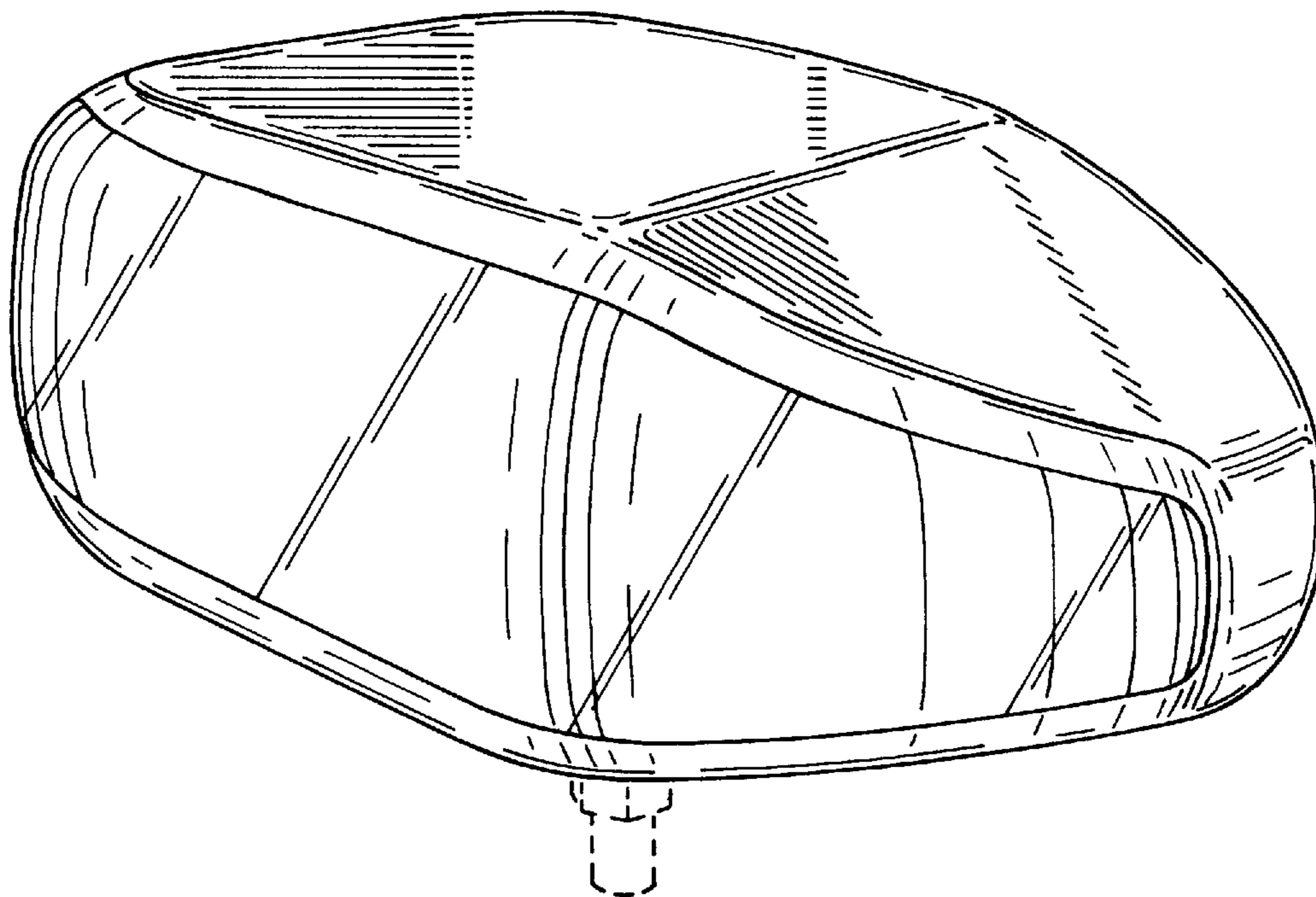
The ornamental design for an auxiliary light for a vehicle, as shown and described.

DESCRIPTION

FIG. 1 is a perspective view of an auxiliary light for a vehicle showing my new design;
FIG. 2 is a front elevational view thereof;
FIG. 3 is a top plan view thereof;
FIG. 4 is a bottom plan view thereof;
FIG. 5 is a left side elevational view thereof;
FIG. 6 is a right side elevational view thereof; and,
FIG. 7 is a rear elevational view thereof.

The mounting bolt is shown in broken lines for illustrative purposes only.

1 Claim, 4 Drawing Sheets



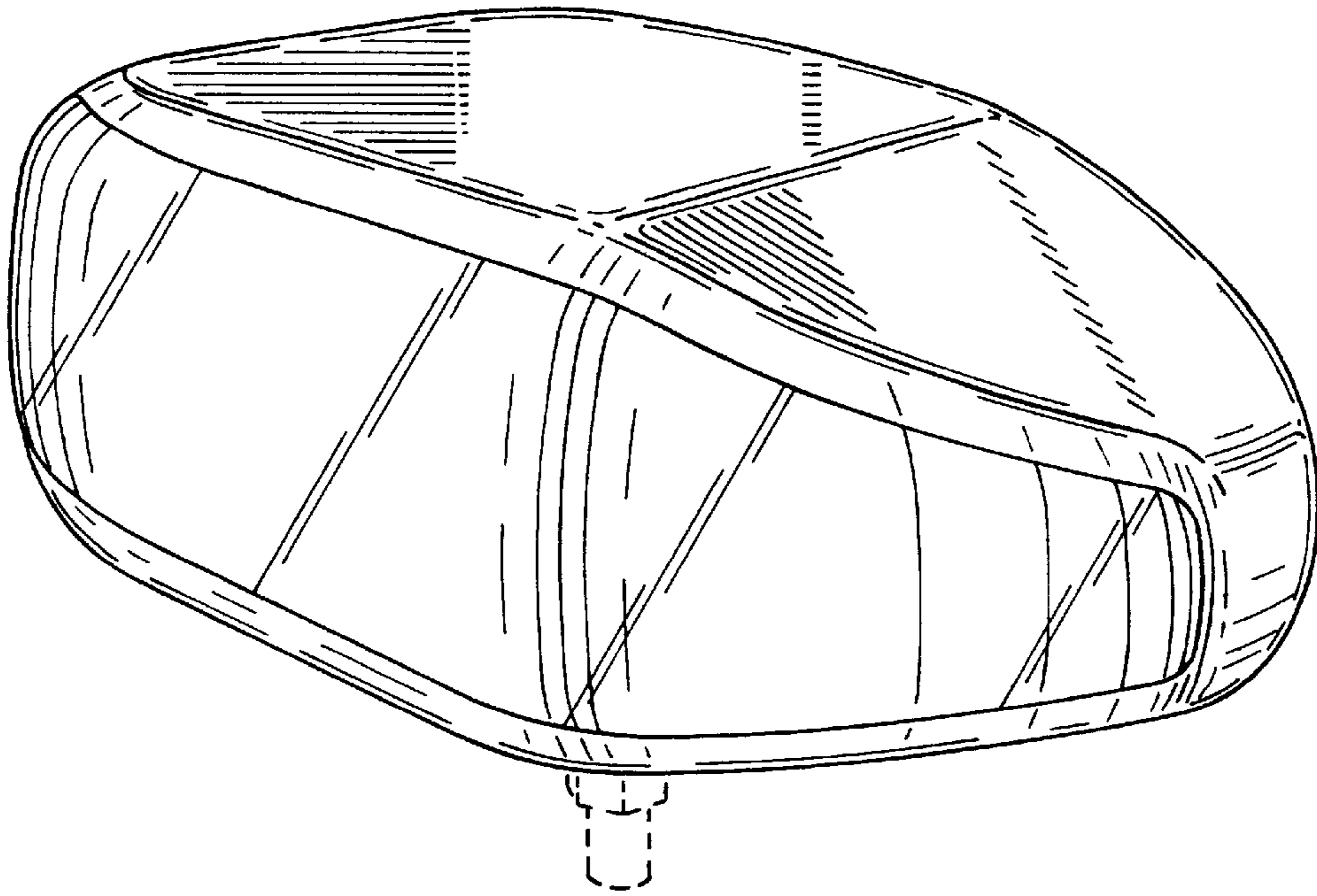


FIG. 1

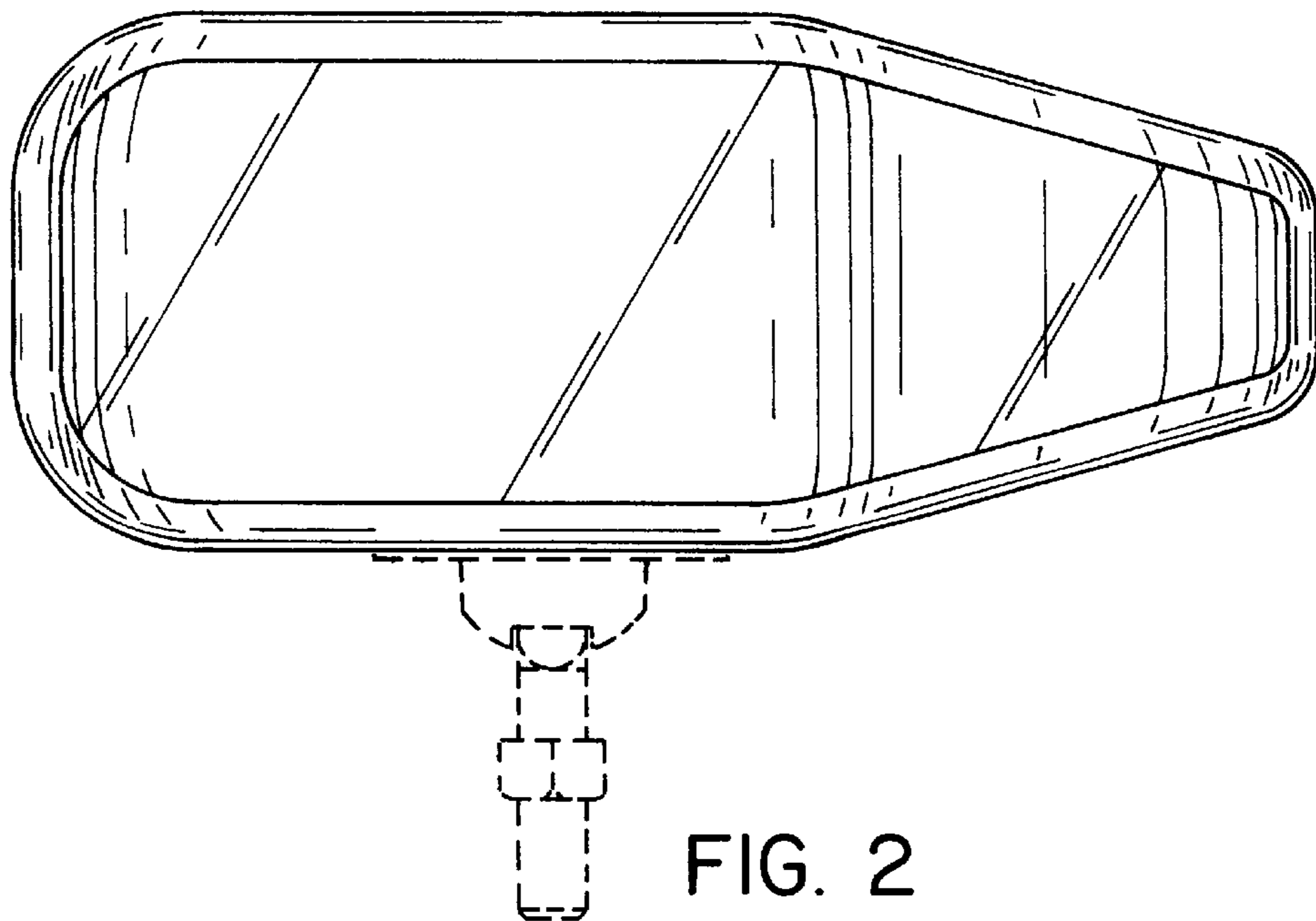


FIG. 2

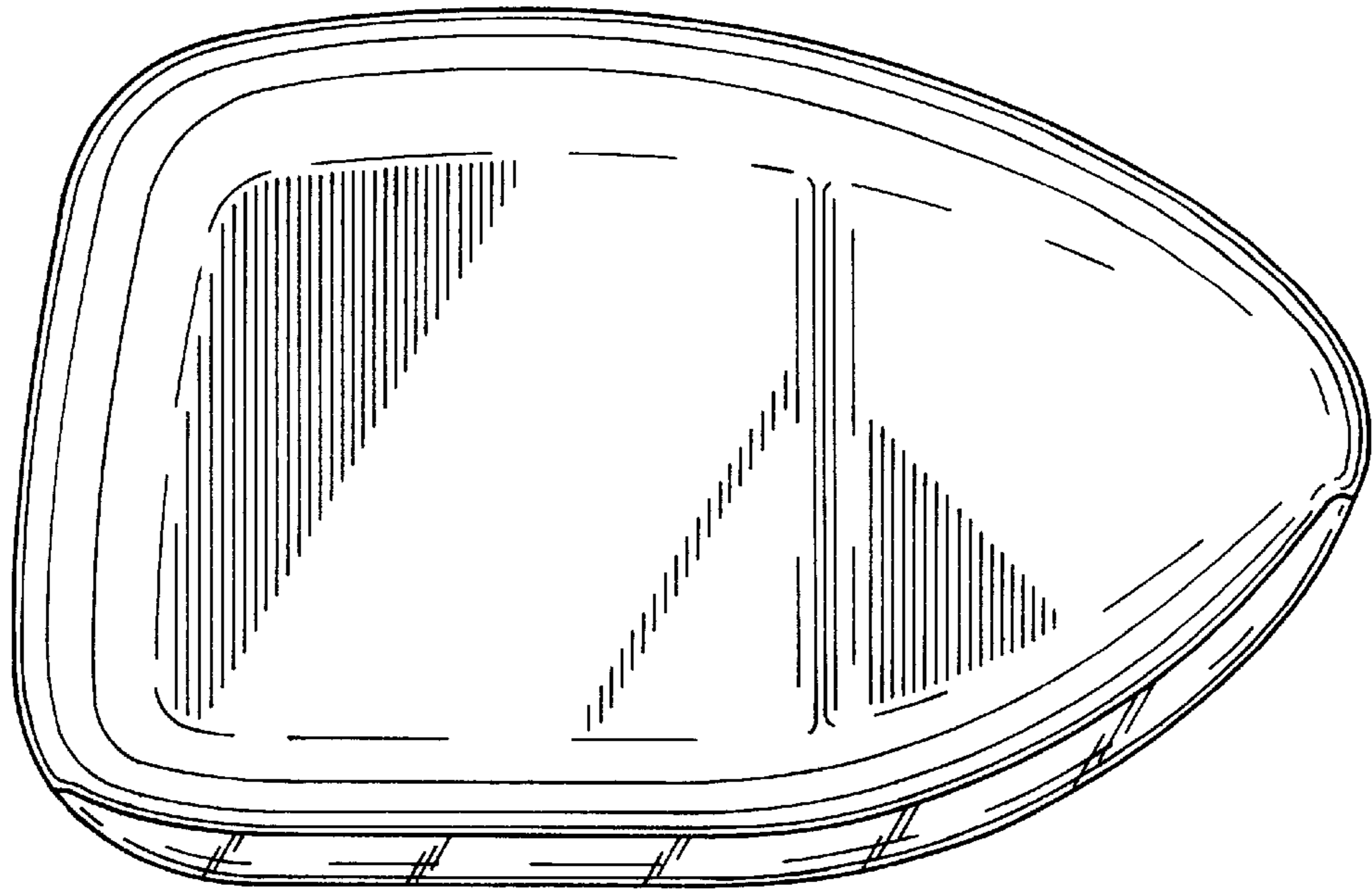


FIG. 3

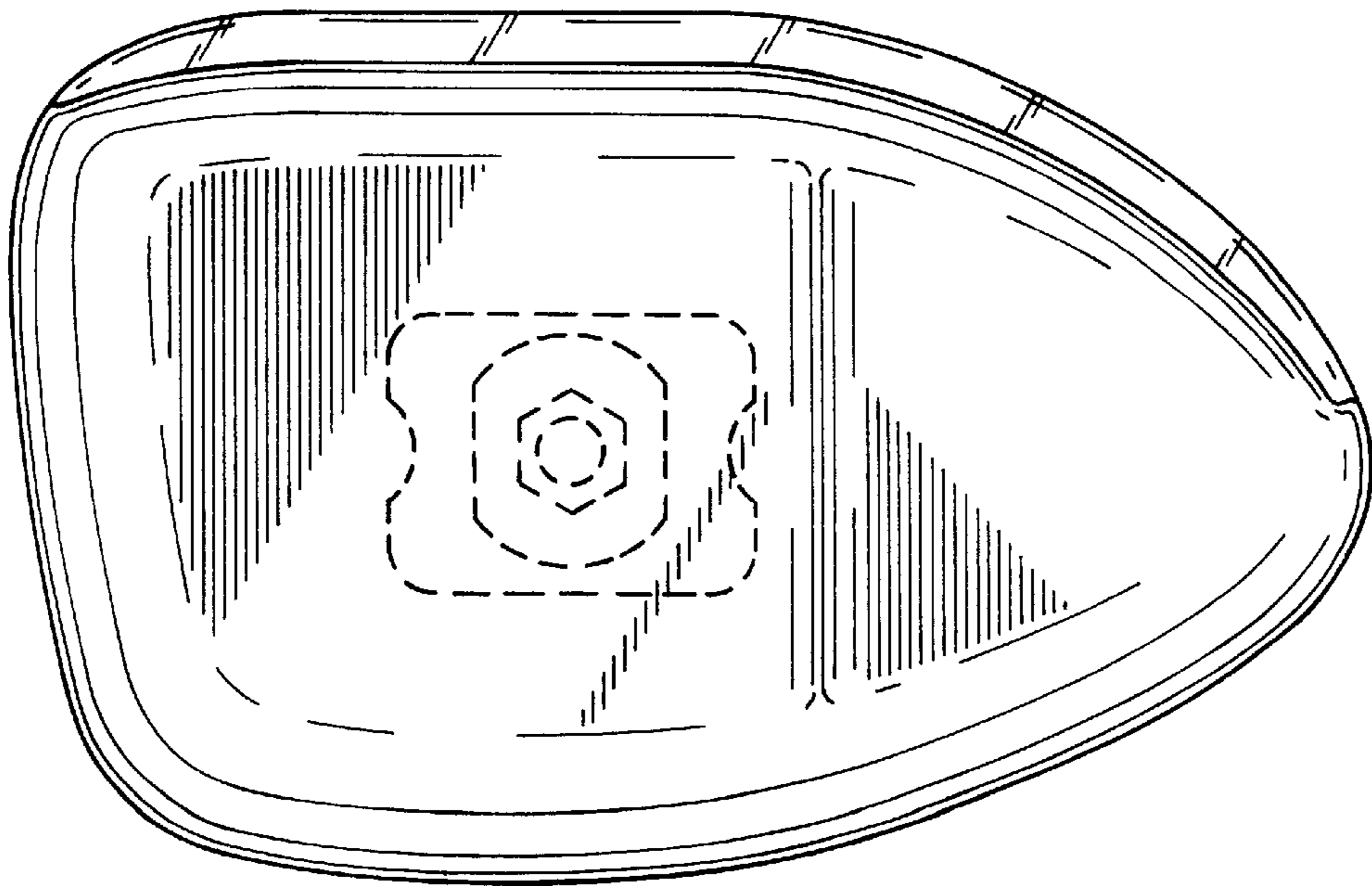
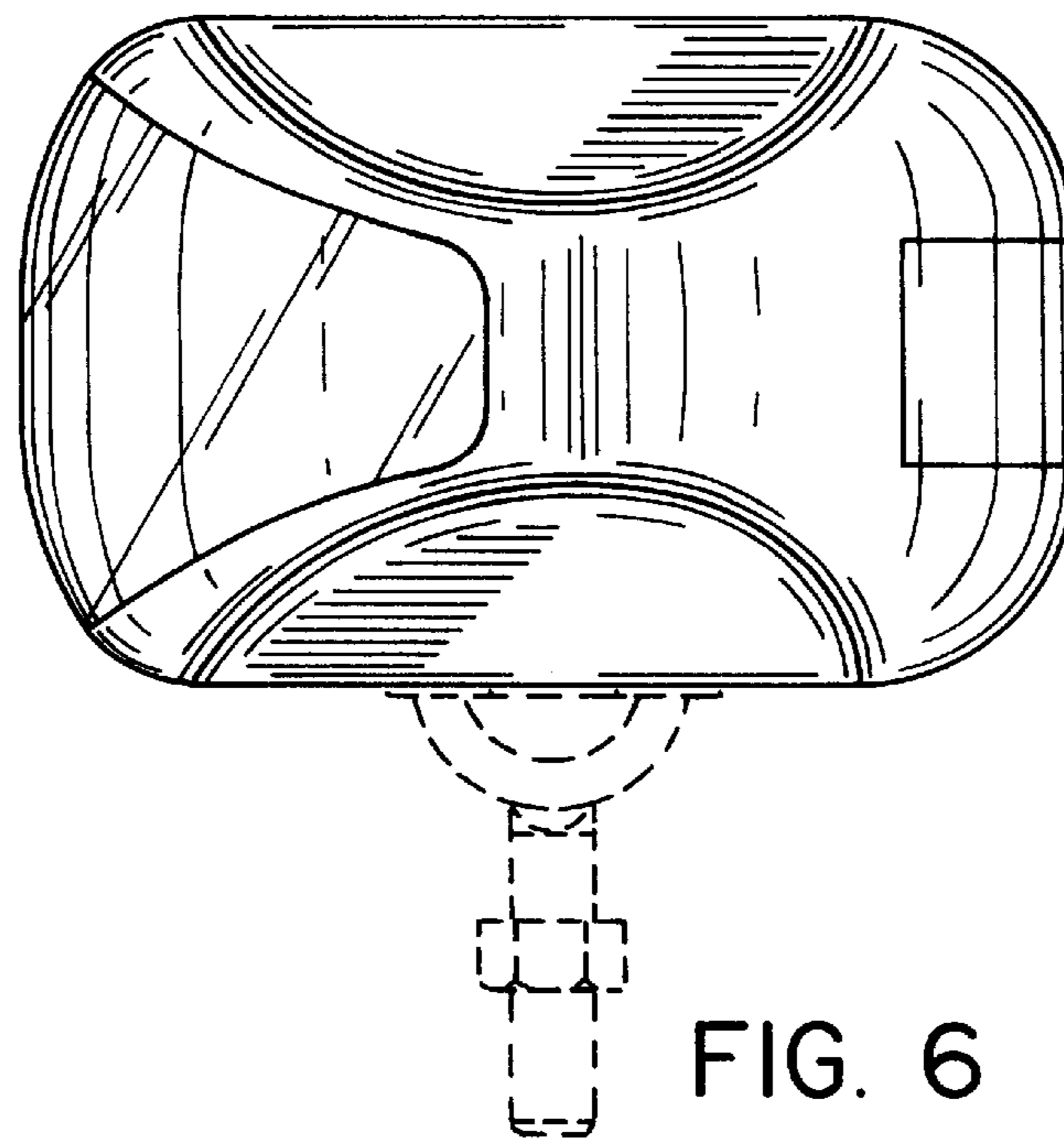
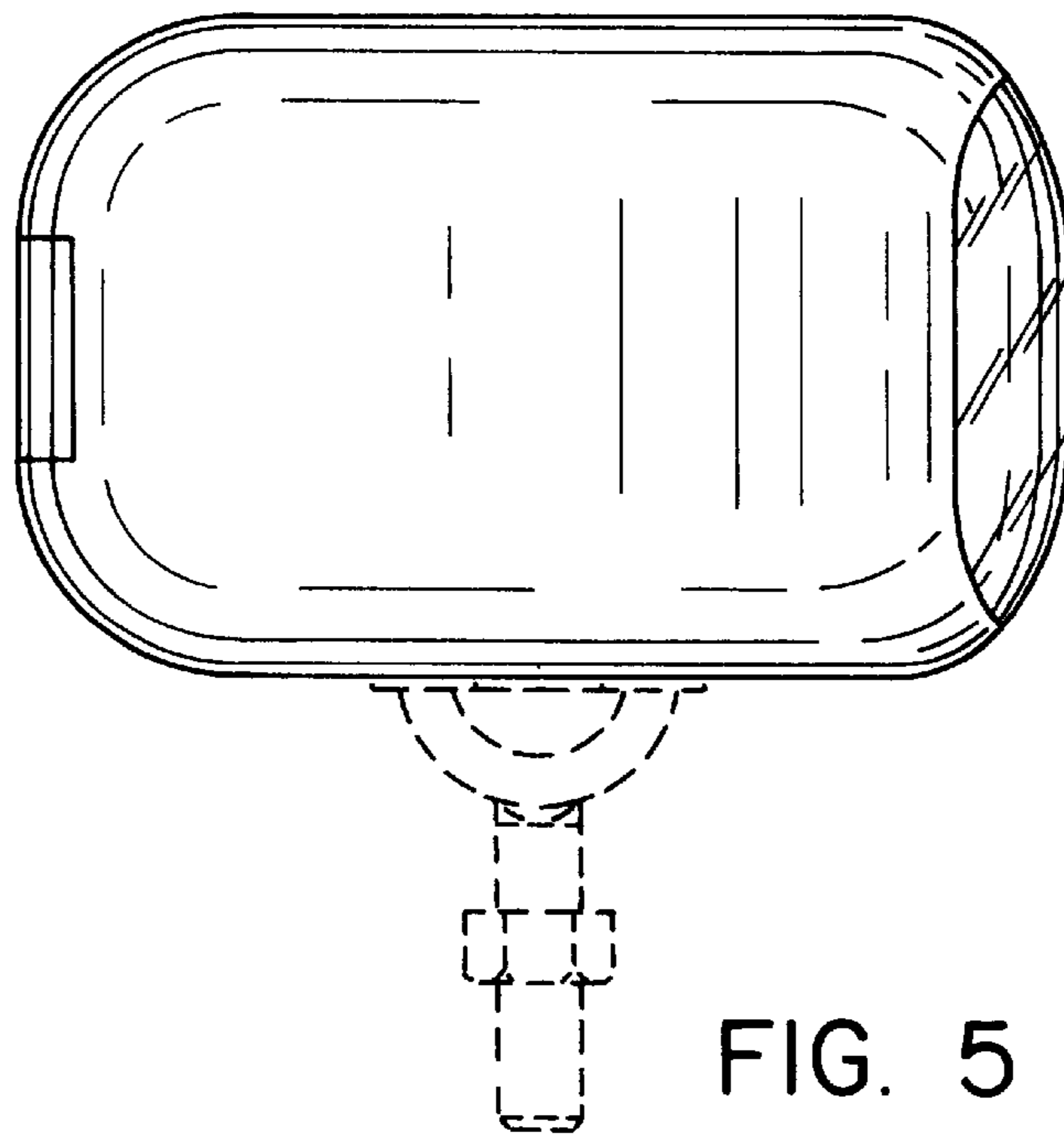


FIG. 4



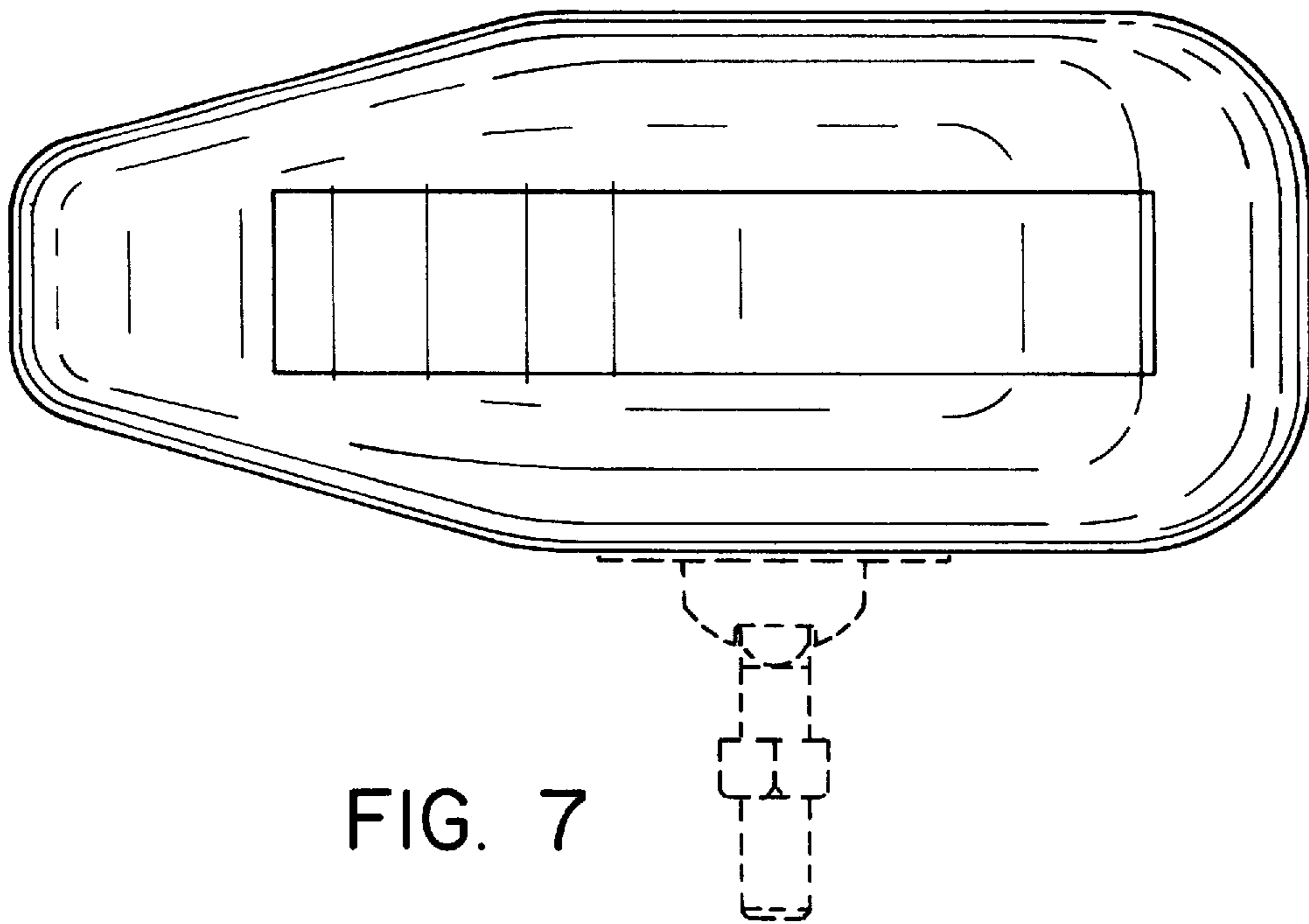


FIG. 7