



US00D399325S

# United States Patent [19]

Lyons et al.

[11] **Patent Number:** **Des. 399,325**

[45] **Date of Patent:** **\*\*Oct. 6, 1998**

[54] **PORTABLE WARNING LIGHT FOR USE IN VEHICLES**

[75] Inventors: **Jon H. Lyons**, Deep River; **Harold W. Lyons**, Killingworth, both of Conn.

[73] Assignee: **Whelen Engineering Company, Inc.**, Chester, Conn.

[\*\*] Term: **14 Years**

[21] Appl. No.: **50,960**

[22] Filed: **Feb. 23, 1996**

[51] **LOC (6) Cl.** ..... **26-06**

[52] **U.S. Cl.** ..... **D26/28**

[58] **Field of Search** ..... D20/10, 15, 39, D20/40, 41, 42; D10/109, 114; D26/28-35; 40/1, 584, 591, 592, 593

### [56] **References Cited**

#### U.S. PATENT DOCUMENTS

- D. 152,684 2/1949 Feltz ..... D26/30
- D. 331,472 12/1992 Campbell ..... D26/31

D. 374,191 10/1996 Terrebonne et al. .... D26/31

*Primary Examiner*—Marcus A. Jackson  
*Attorney, Agent, or Firm*—Alix, Yale & Ristas, LLP

### [57] **CLAIM**

The ornamental design for a portable warning light for use in vehicles, as shown and described.

### **DESCRIPTION**

FIG. 1 is a front elevation view showing a portable warning light for use in vehicles in accordance with our design, with the broken line showing for illustrative purposes only and forming no part of the claimed design;

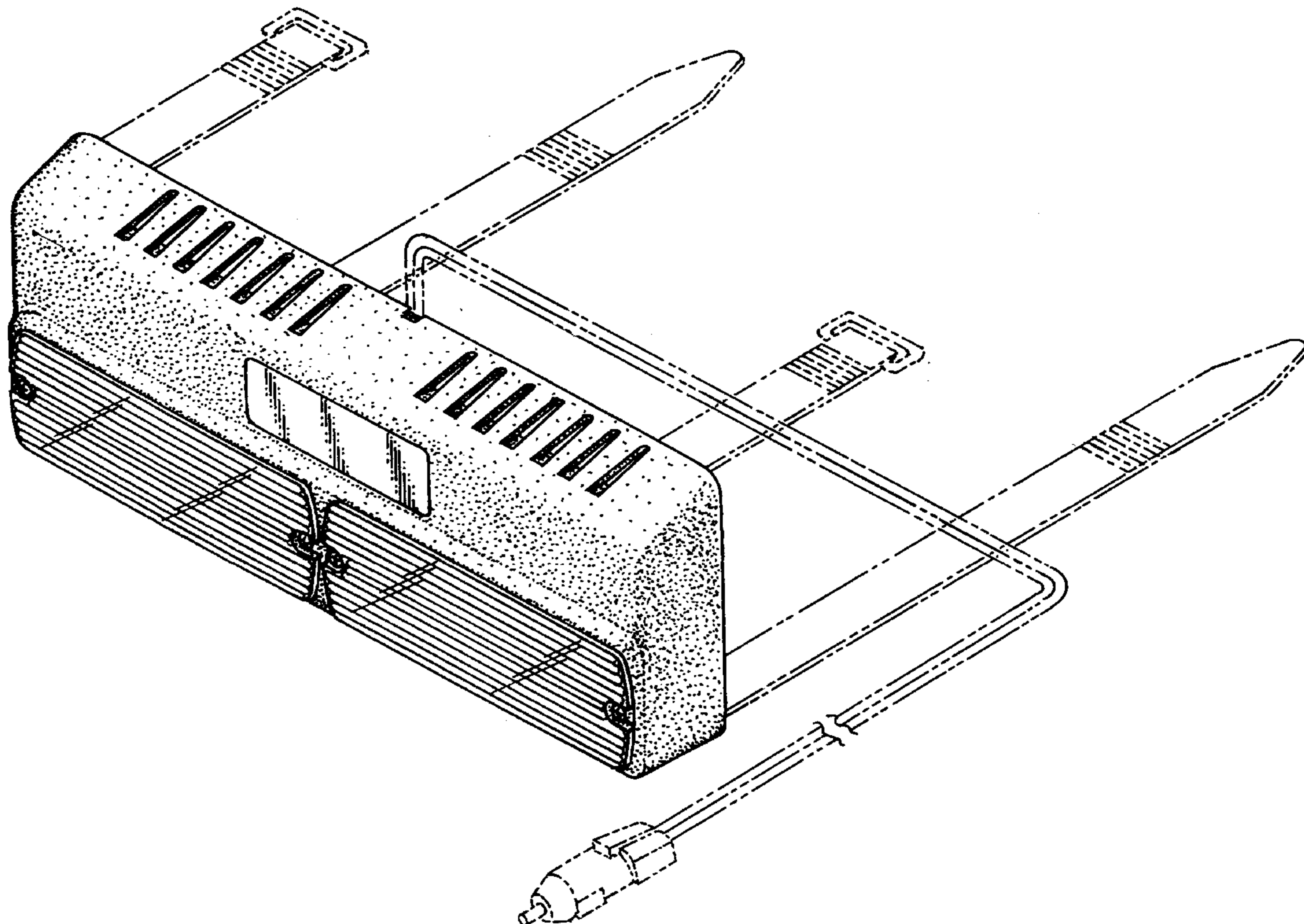
FIG. 2 is a top view thereof;

FIG. 3 is a bottom view thereof;

FIG. 4 is a side view thereof, the portable warning light for use in vehicles appearing the same from the opposite side; FIG. 5 is a rear view thereof, the rear of our portable warning light for use in vehicles not encompassing any design features; and,

FIG. 6 is a perspective view thereof.

**1 Claim, 3 Drawing Sheets**



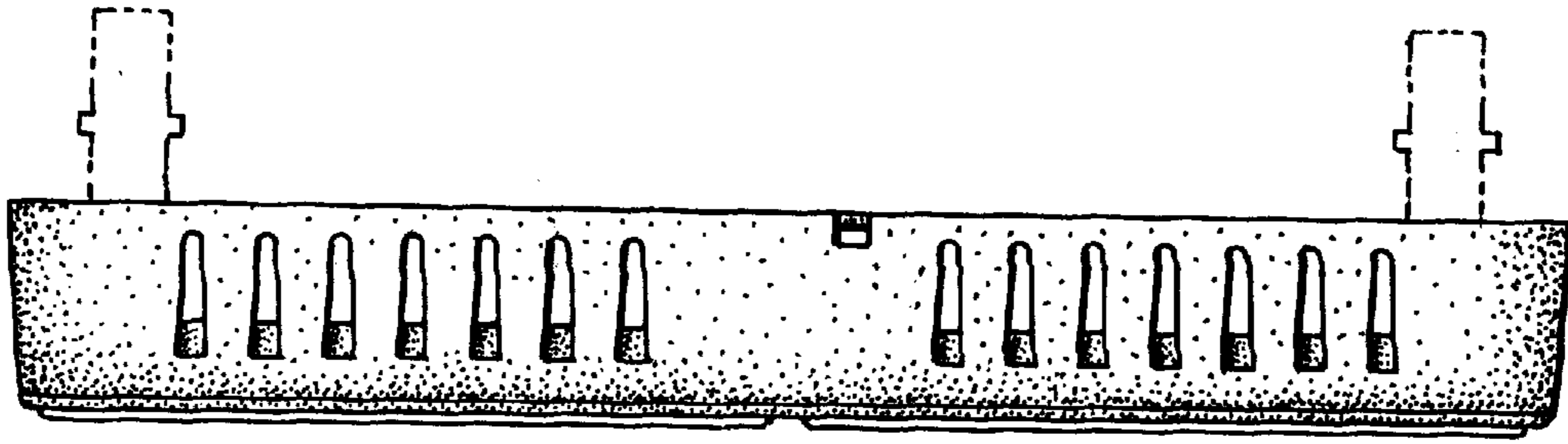


FIG. 2

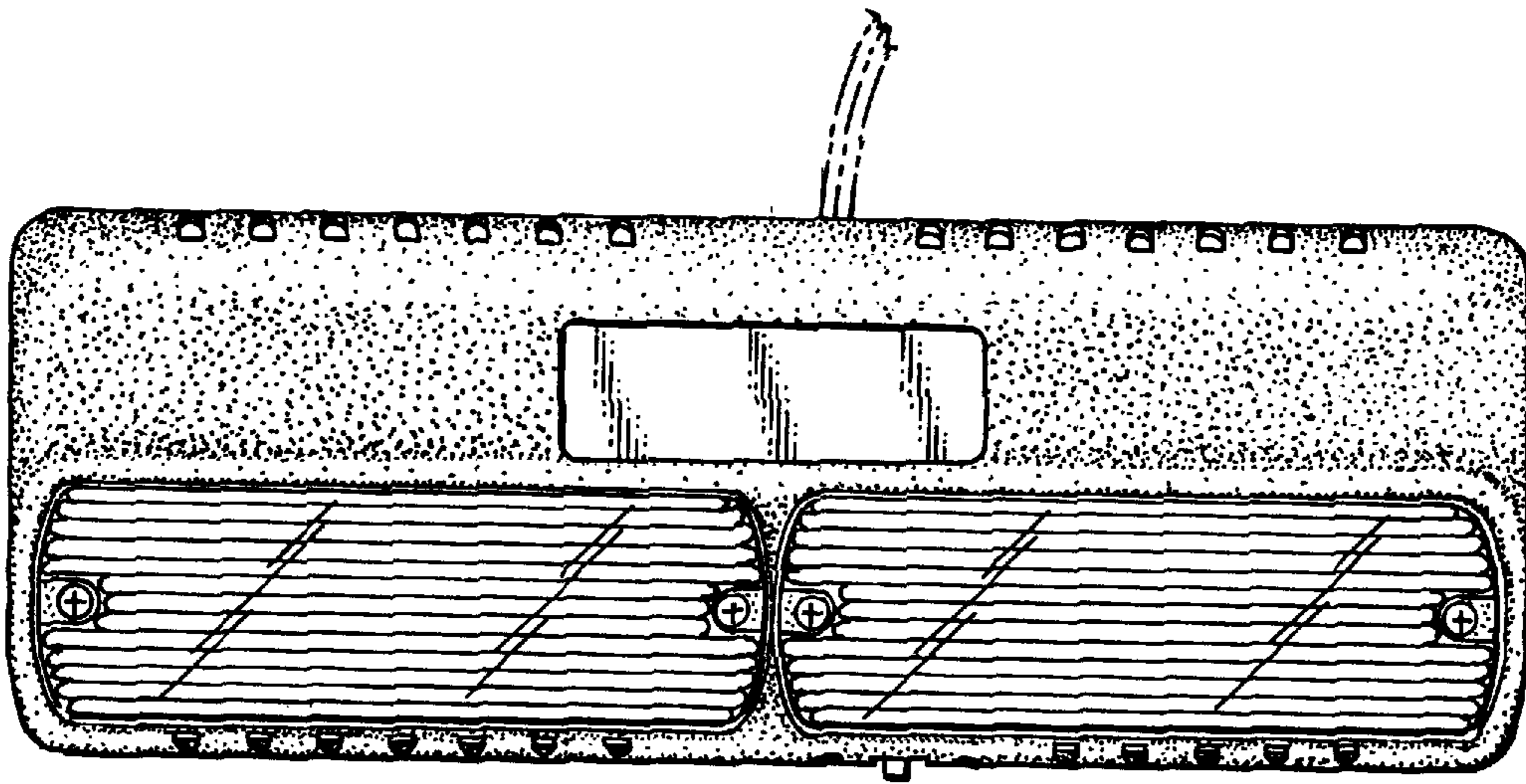


FIG. 1

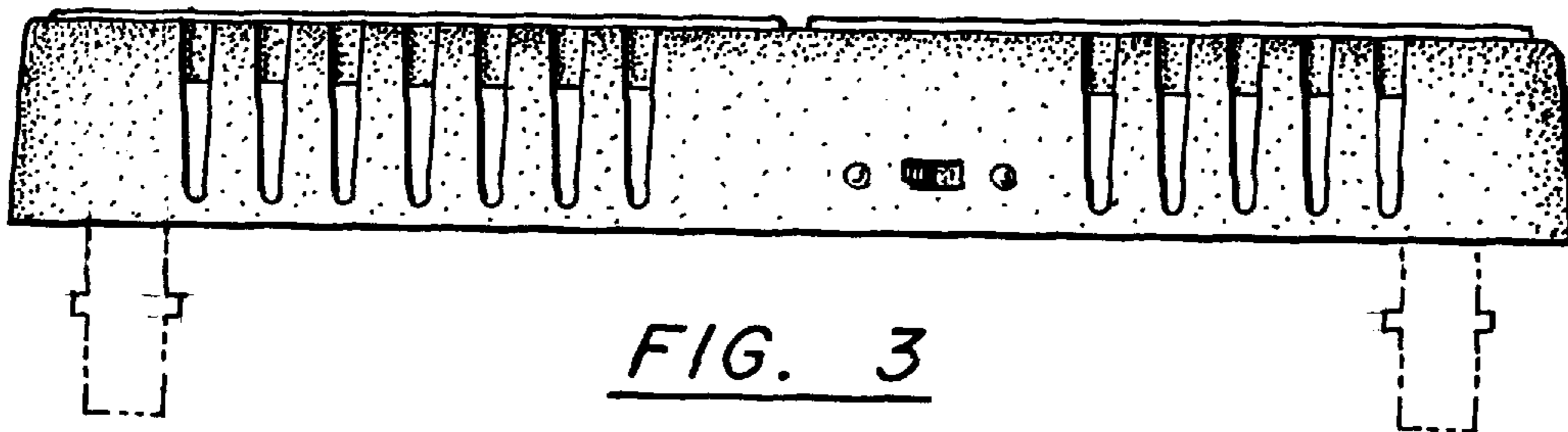


FIG. 3

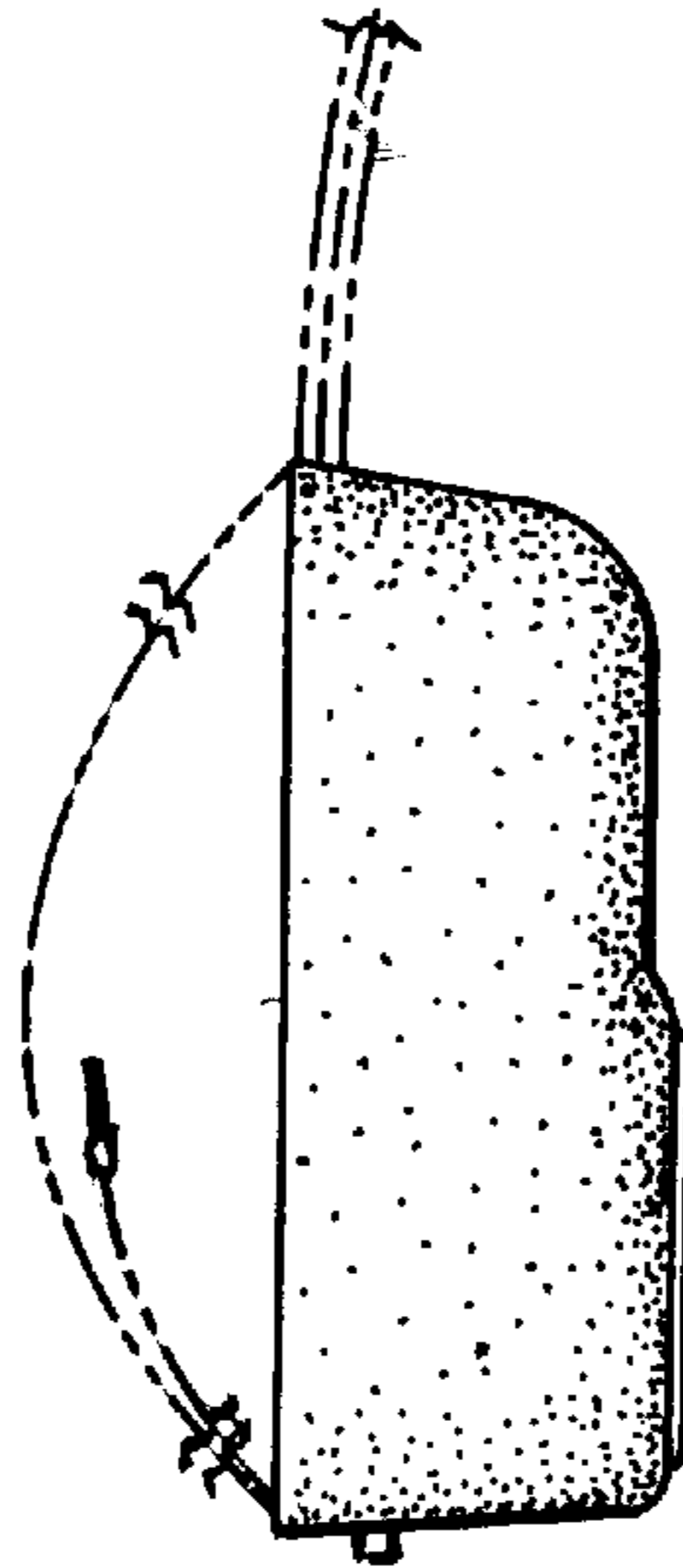


FIG. 4

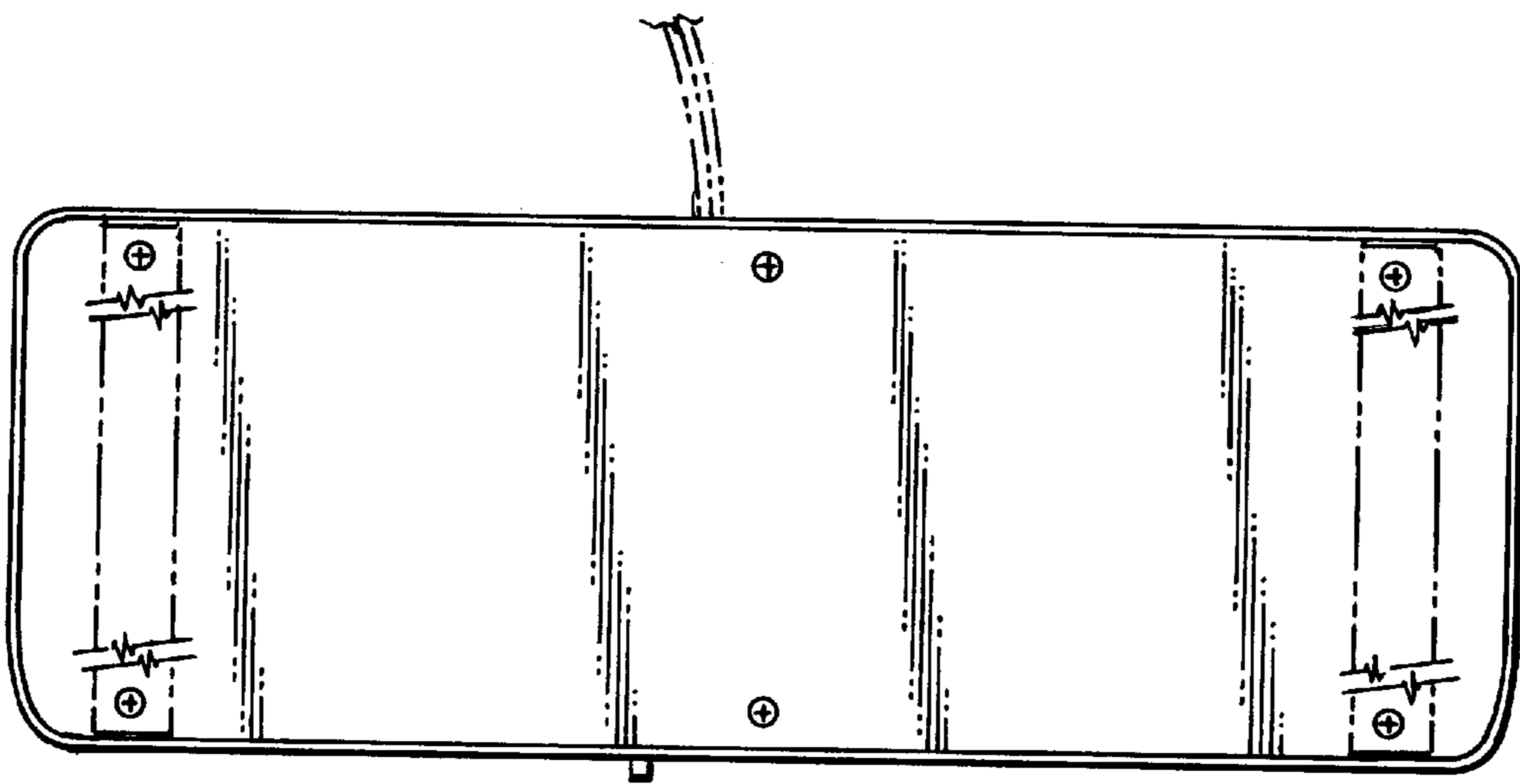


FIG. 5

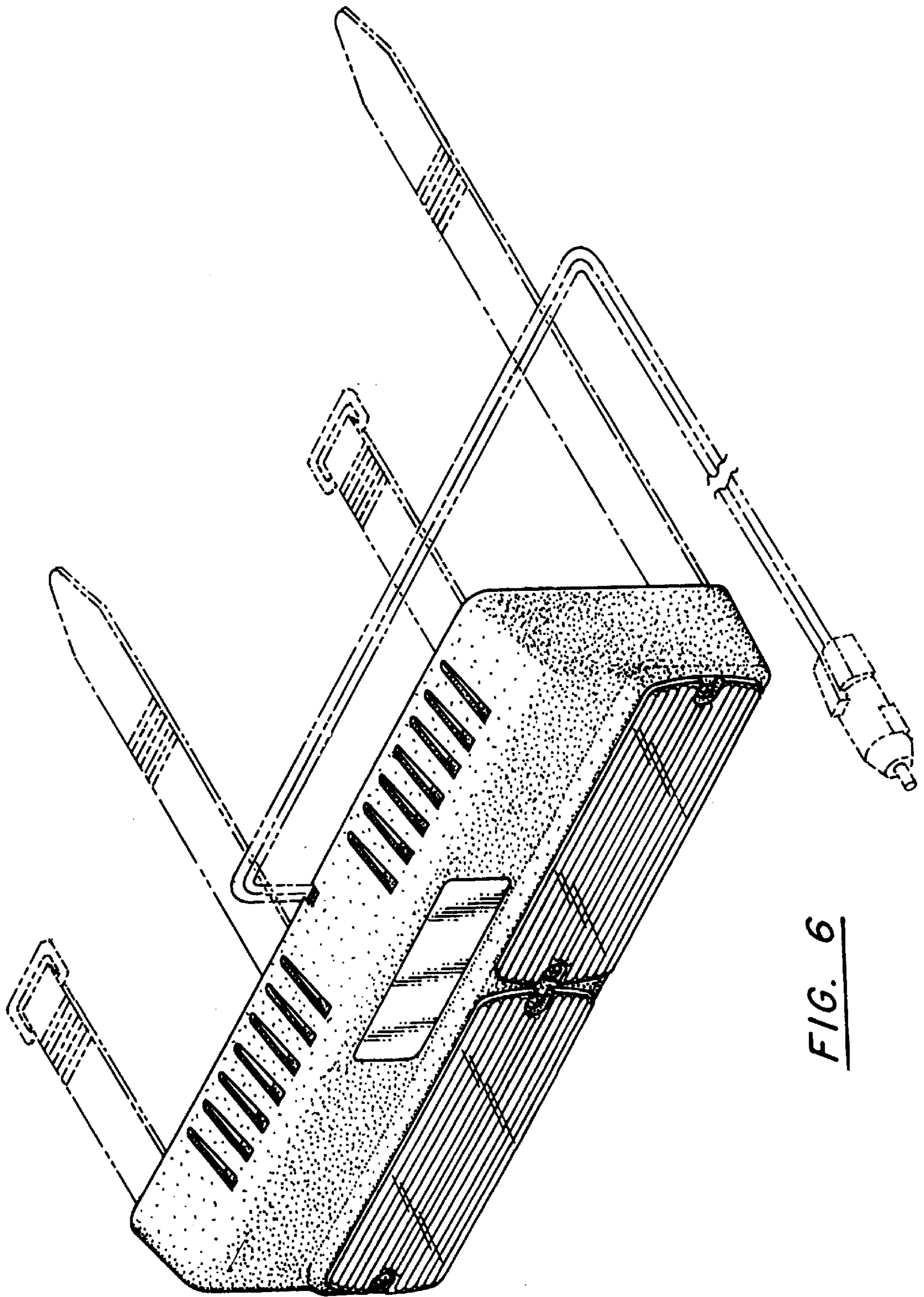


FIG. 6