



US00D399320S

United States Patent [19]

Barbeau et al.

[11] Patent Number: **Des. 399,320**

[45] Date of Patent: ****Oct. 6, 1998**

[54] **DIGITAL SOUND RELAXATION SYSTEM**

[75] Inventors: **Stéfane Erhard Barbeau; Rudy Anthony Vandenberg; Michael Georges Sirois**, all of Ottawa, Canada; **Troy Gene Anderson**, Marblehead, Mass.

[73] Assignee: **Headwaters Research & Development, Inc.**, Ottawa, Canada

[**] Term: **14 Years**

[21] Appl. No.: **59,028**

[22] Filed: **Aug. 30, 1996**

[51] **LOC (6) Cl.** **24-04**

[52] **U.S. Cl.** **D24/231**

[58] **Field of Search** D24/231, 200, D24/188; 181/155, 198, 284, 295; 600/26, 27, 28

D. 248,669	7/1978	Ramsey	D24/188
D. 311,065	10/1990	Theisen et al.	D24/231
3,121,220	2/1964	Buckwalter	600/28
3,376,870	4/1968	Yamamoto et al.	600/27
3,826,333	7/1974	Buckwalter	181/155

Primary Examiner—Stella Reid
Attorney, Agent, or Firm—Albert Peter Durigon

[57] CLAIM

The ornamental design for a digital sound relaxation system, as shown and described.

DESCRIPTION

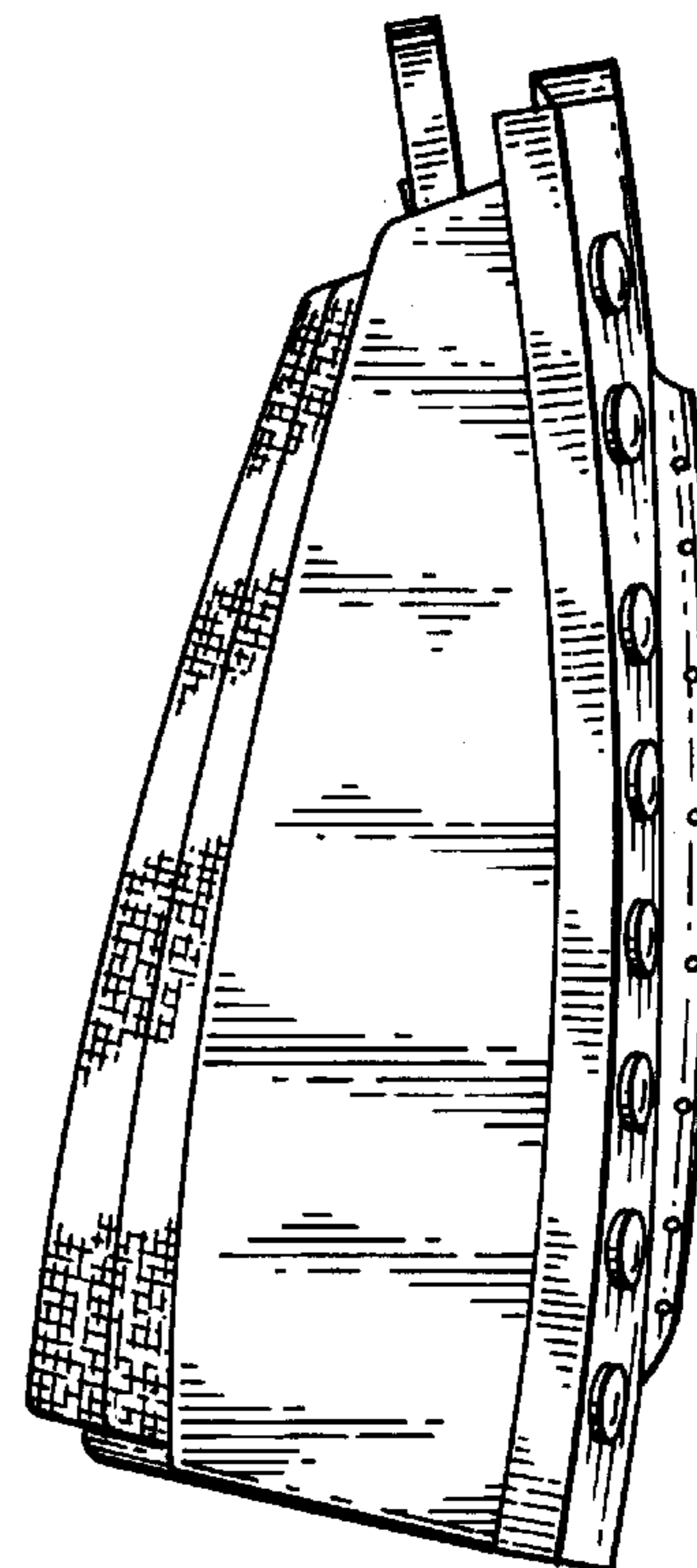
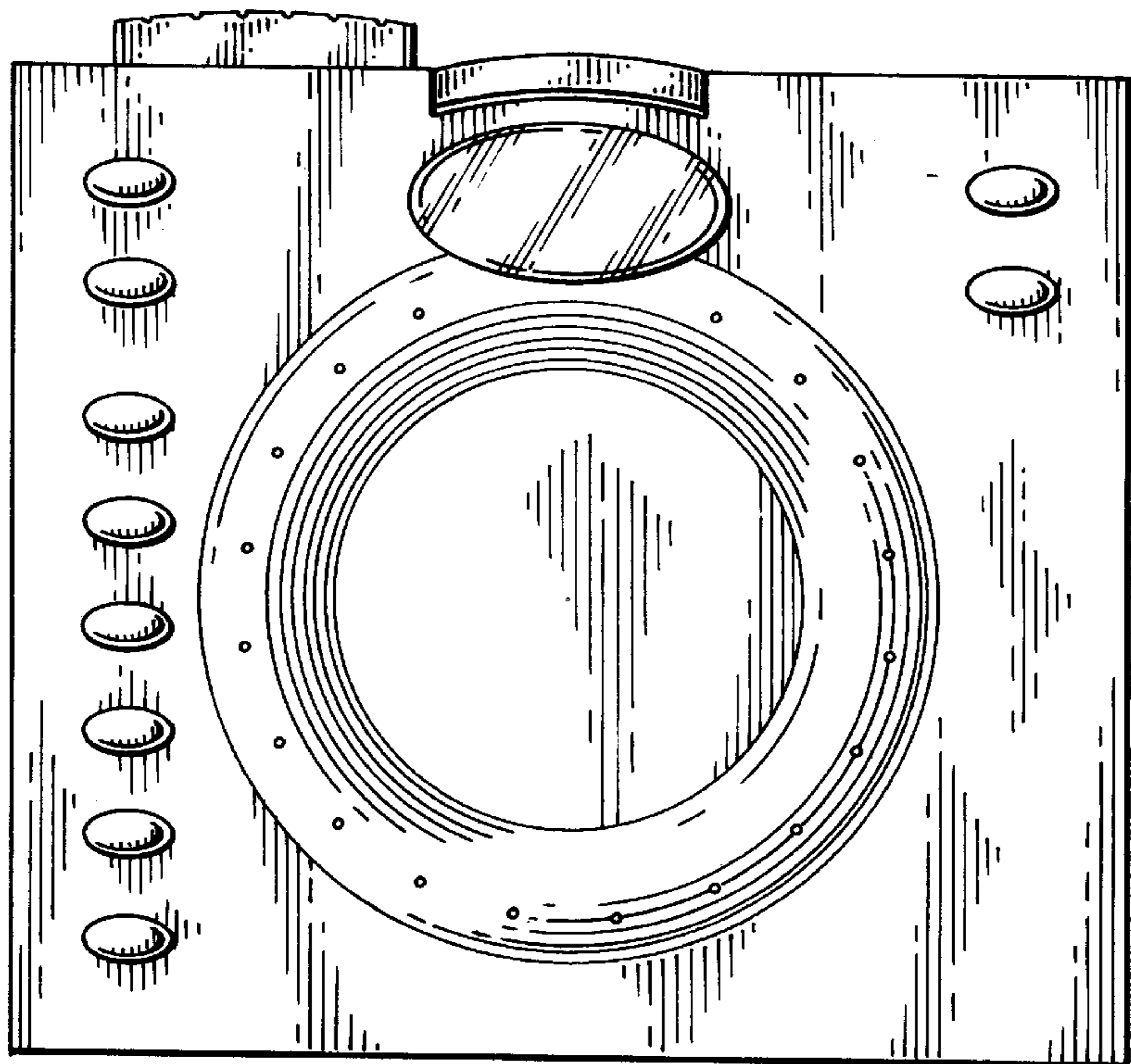
FIG. 1 is a front elevational view of a digital sound relaxation system, showing our new design; FIG. 2 is a top plan view thereof; FIG. 3 is a back elevational view thereof; FIG. 4 is a bottom plan view thereof; FIG. 5 is a left side elevational view thereof; and, FIG. 6 is a right side elevational view thereof.

[56] References Cited

U.S. PATENT DOCUMENTS

D. 244,878 6/1977 Brand D24/188

1 Claim, 3 Drawing Sheets



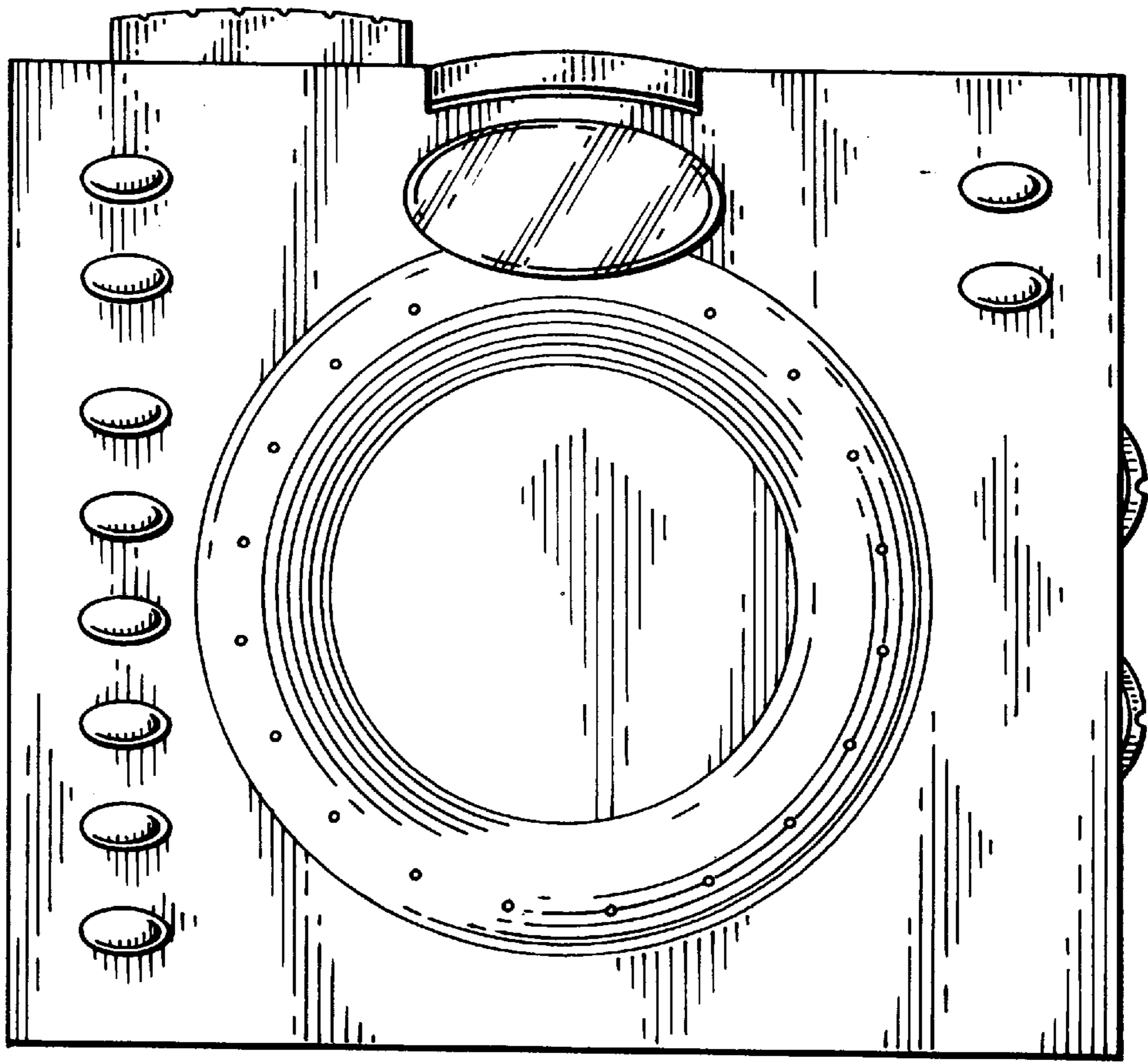


FIG. 1

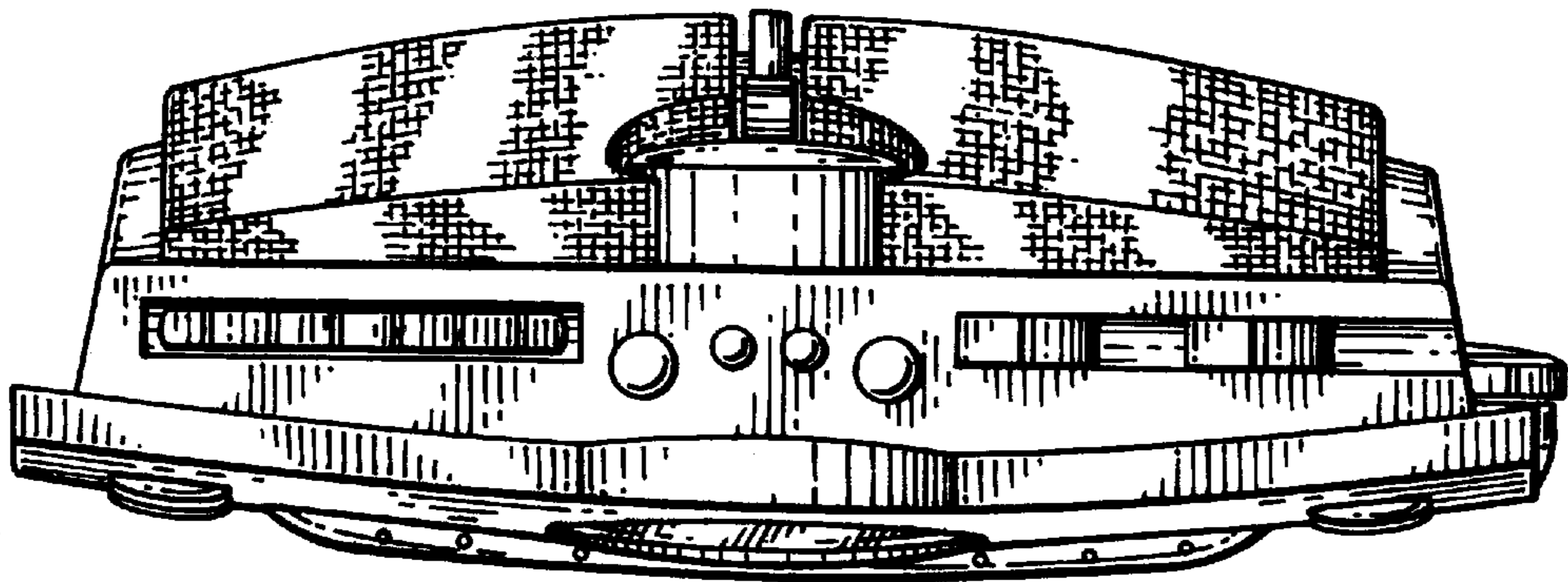


FIG. 2

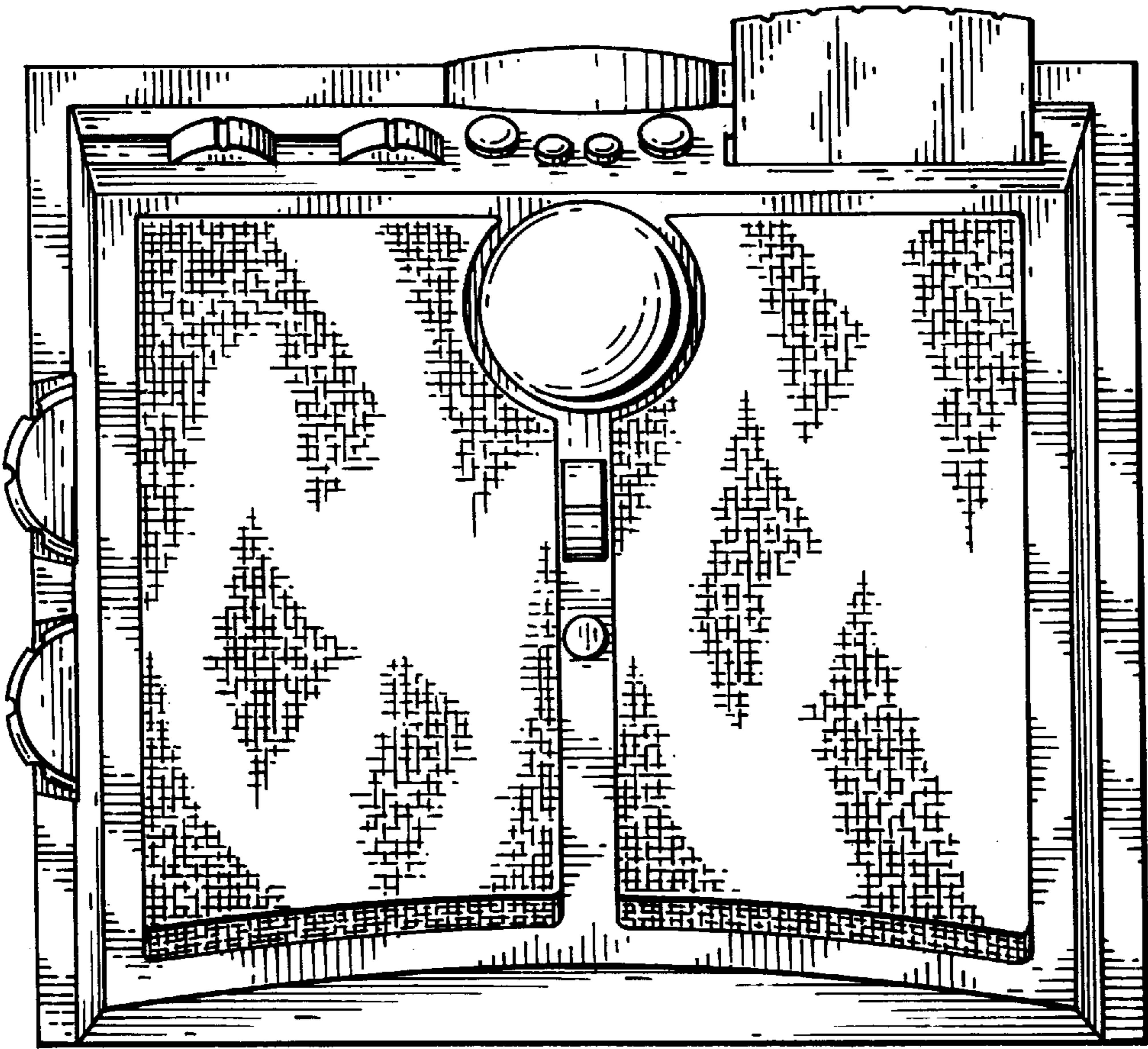


FIG. 3

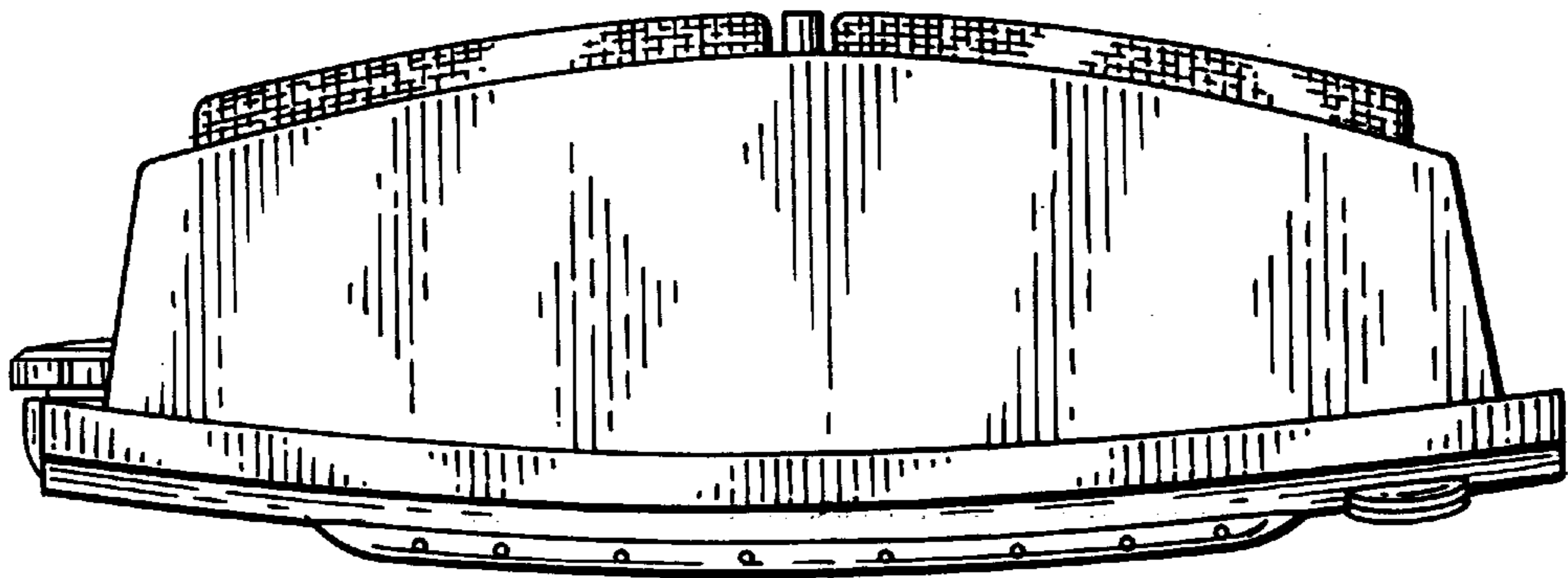


FIG. 4

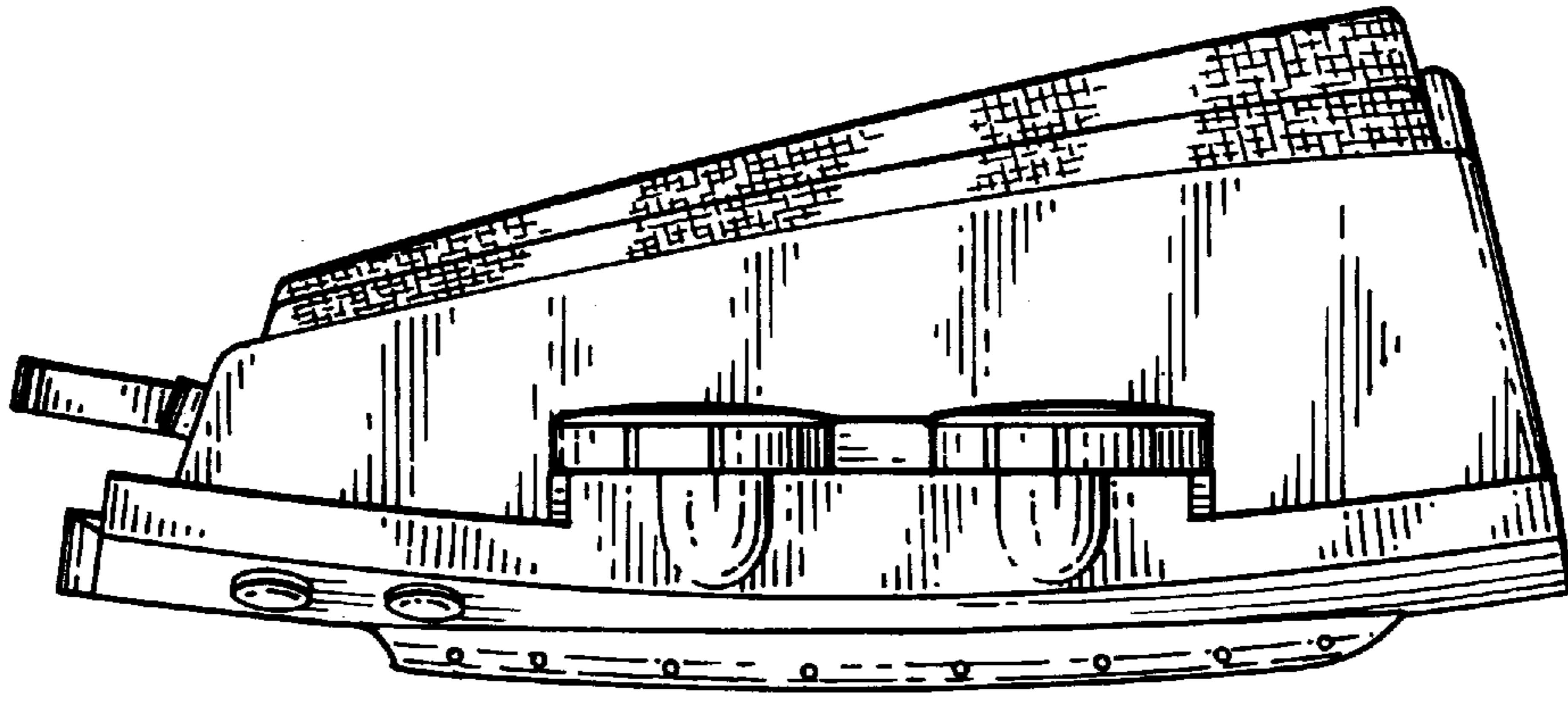


FIG. 6

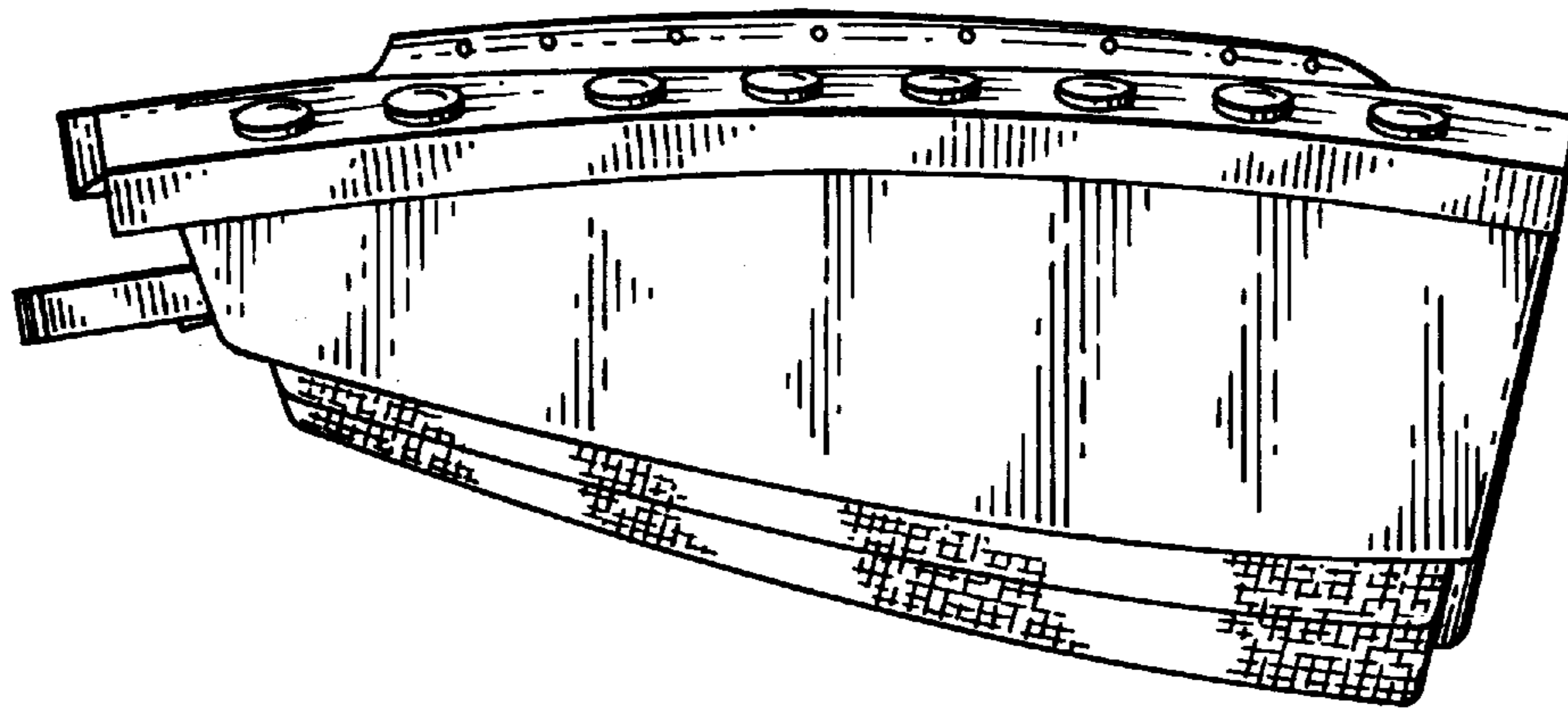


FIG. 5