



US00D399318S

United States Patent [19]

Andrews

[11] **Patent Number: Des. 399,318**

[45] **Date of Patent: **Oct. 6, 1998**

[54] **DENTAL CAST MOUNTING PLATE**

4238854 5/1994 Germany 433/24

[76] Inventor: **Lawrence F. Andrews**, 2025 Chatsworth Ave., San Diego, Calif. 92107

OTHER PUBLICATIONS

Brochure: "For the Complete Picture, Look to the Specialist in Occlusal Instrumentation," Denar Corporation, Anaheim, California, Nov. 1987.

[**] Term: **14 Years**

Primary Examiner—Louis S. Zarfes
Assistant Examiner—G. Albert Andull
Attorney, Agent, or Firm—Townsend and Townsend and Crew LLP

[21] Appl. No.: **58,740**

[22] Filed: **Aug. 22, 1996**

[51] **LOC (6) Cl.** **24-01**

[52] **U.S. Cl.** **D24/181**

[58] **Field of Search** D24/176, 181, D24/231, 182; 433/24, 54, 60

[57] CLAIM

The ornamental design for a dental cast mounting plate, as shown and described.

[56] References Cited

DESCRIPTION

U.S. PATENT DOCUMENTS

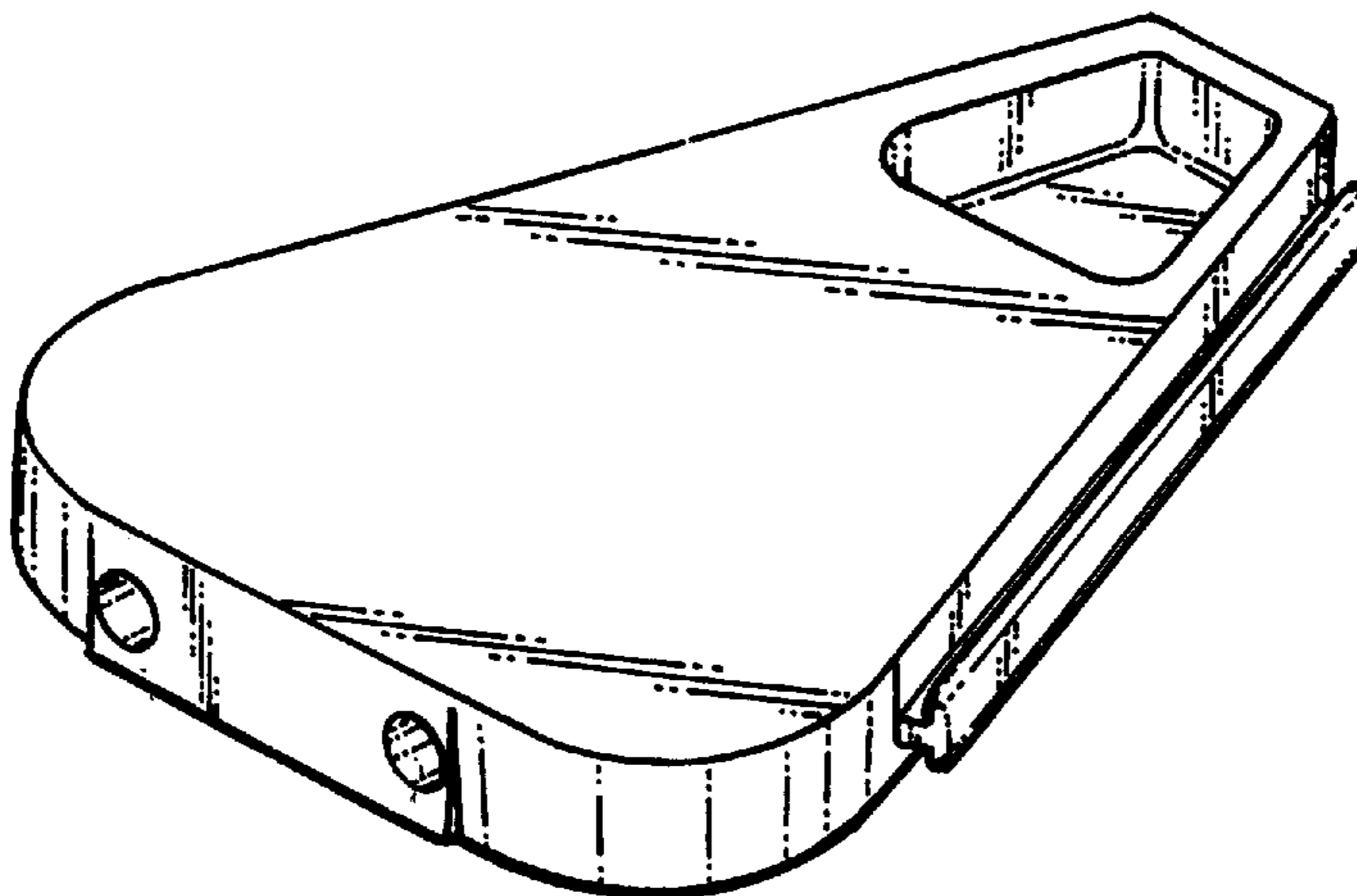
FIG. 1 is a perspective view of a dental cast mounting plate showing my new design;
FIG. 2 is a top plan view thereof;
FIG. 3 is a front elevational view thereof;
FIG. 4 is a right side elevational view;
FIG. 5 is a left side elevational view;
FIG. 6 is a rear elevational view thereof;
FIG. 7 is a bottom plan view thereof; and,
FIG. 8 is a cross-sectional view taken along line 8—8 of FIG. 7.

D. 265,925	8/1982	Yogosawa	D24/182
D. 302,724	8/1989	Huffman	D24/181
D. 338,960	8/1993	Caline	D24/181
4,030,197	6/1977	Linck, II et al.	433/60
4,214,367	7/1980	Mack et al.	433/60
4,496,320	1/1985	Hwang et al.	433/60
5,176,515	1/1993	Andrews	433/24
5,352,117	10/1994	Silva	433/60

FOREIGN PATENT DOCUMENTS

2922187	12/1980	Germany	433/60
---------	---------	---------	-------	--------

1 Claim, 1 Drawing Sheet



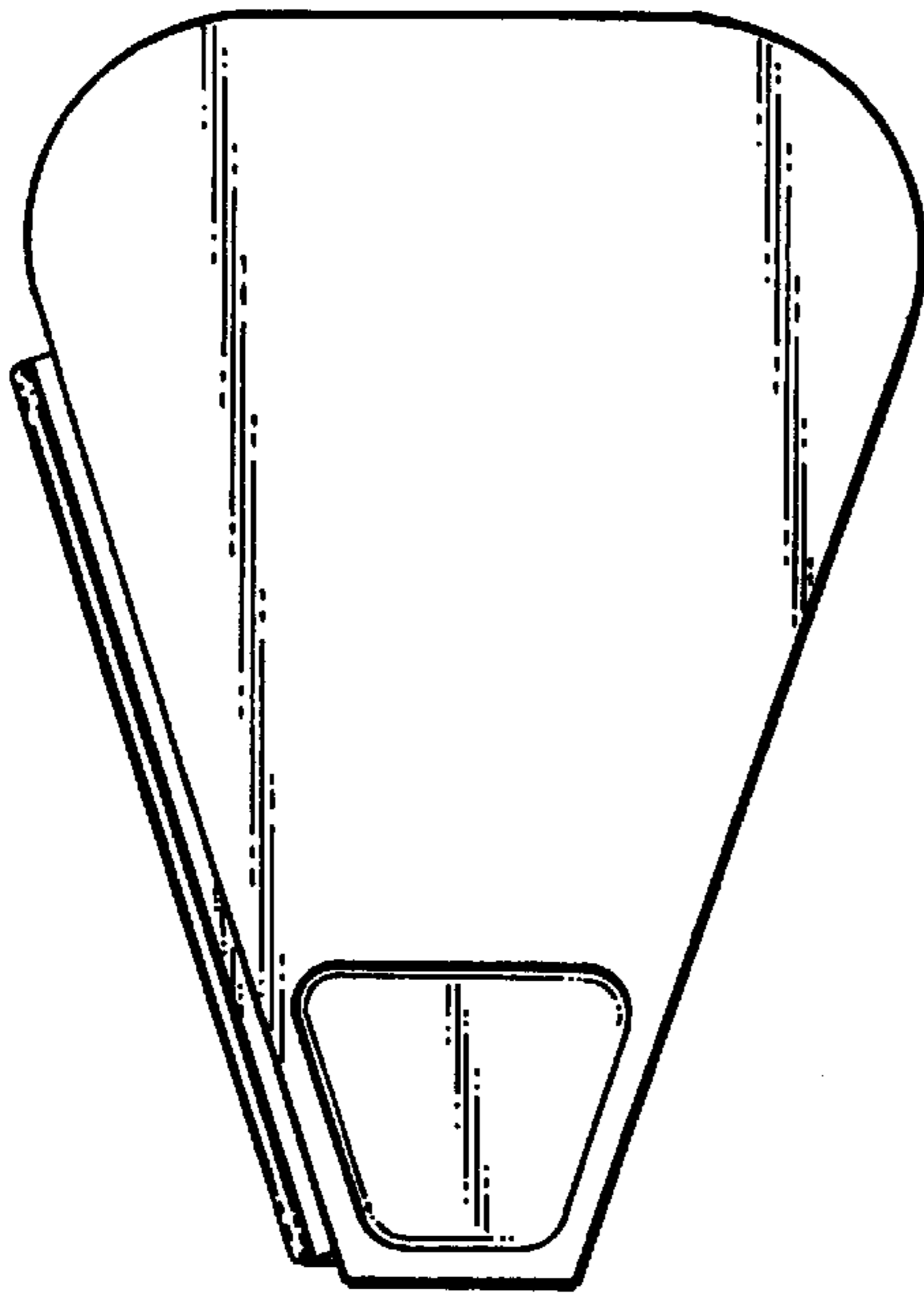


FIG. 2.

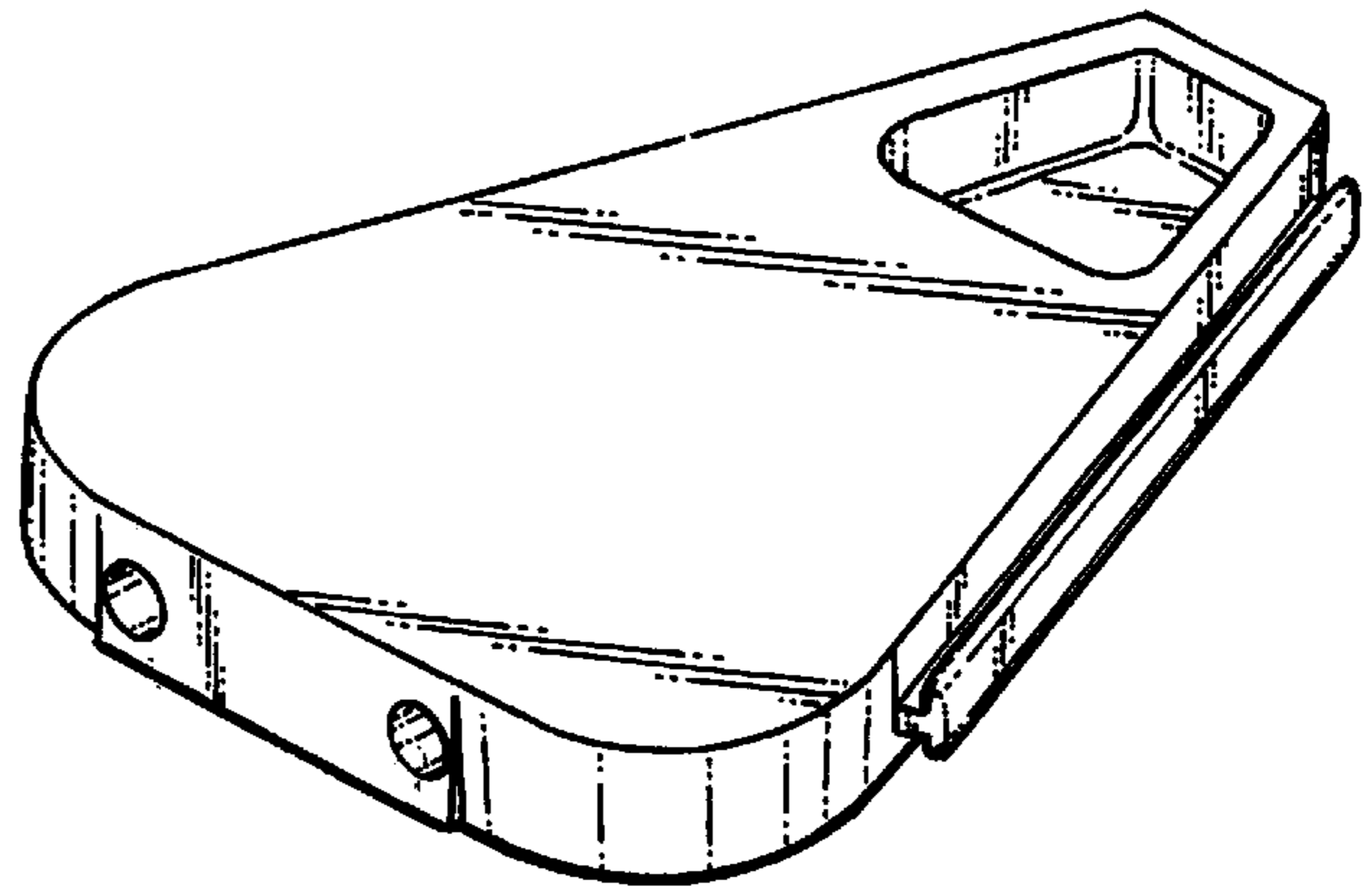


FIG. 1.

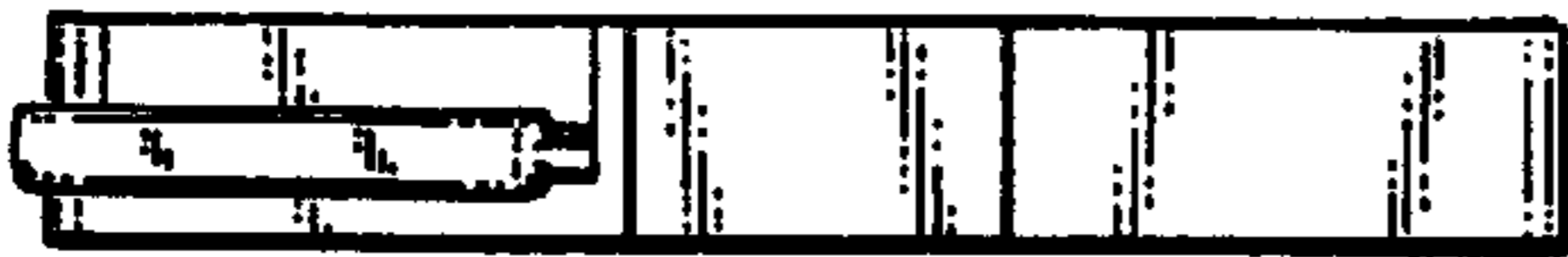


FIG. 3.



FIG. 4.

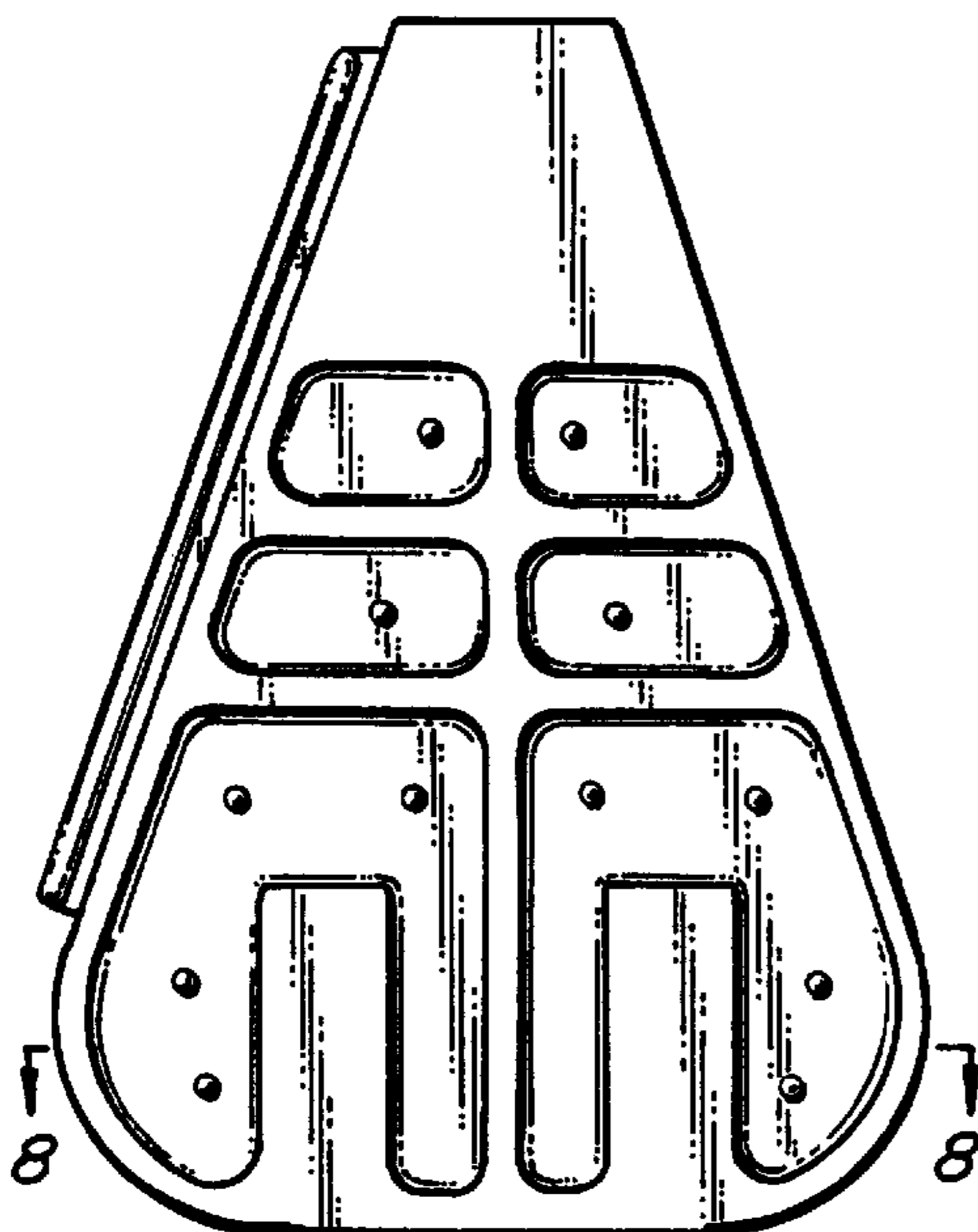


FIG. 7.



FIG. 5.



FIG. 6.



FIG. 8.