



US00D399316S

United States Patent [19]
Molina

[11] **Patent Number: Des. 399,316**
[45] **Date of Patent: **Oct. 6, 1998**

[54] **SYRINGE NEEDLE CUSHION WITH COVER**

[75] Inventor: **Roger V. Molina**, Kernersville, N.C.

[73] Assignee: **Incutech, Inc.**, Kernersville, N.C.

[**] Term: **14 Years**

[21] Appl. No.: **61,732**

[22] Filed: **Oct. 29, 1996**

[51] **LOC (6) Cl.** **24-02**

[52] **U.S. Cl.** **D24/128; D24/127; D24/231**

[58] **Field of Search** **D24/130, 131, D24/127, 108, 128, 231; D3/27; 206/366; 223/109 R, 106, 108**

[56] **References Cited**

U.S. PATENT DOCUMENTS

D. 18,583	9/1888	Atkinson	D27/3
90,608	5/1869	Timby	223/109 R
406,304	7/1889	Day	223/109 R
647,106	4/1900	McMenamin	223/109 R

FOREIGN PATENT DOCUMENTS

1120074 12/1961 Germany 206/366
9658 of 1912 United Kingdom 223/109 R

OTHER PUBLICATIONS

Drawing of conventional container—one page—undated.

Primary Examiner—Louis S. Zarfes

Assistant Examiner—G. Albert Andoll

[57] **CLAIM**

The ornamental design for a syringe needle cushion with cover, as shown and described.

DESCRIPTION

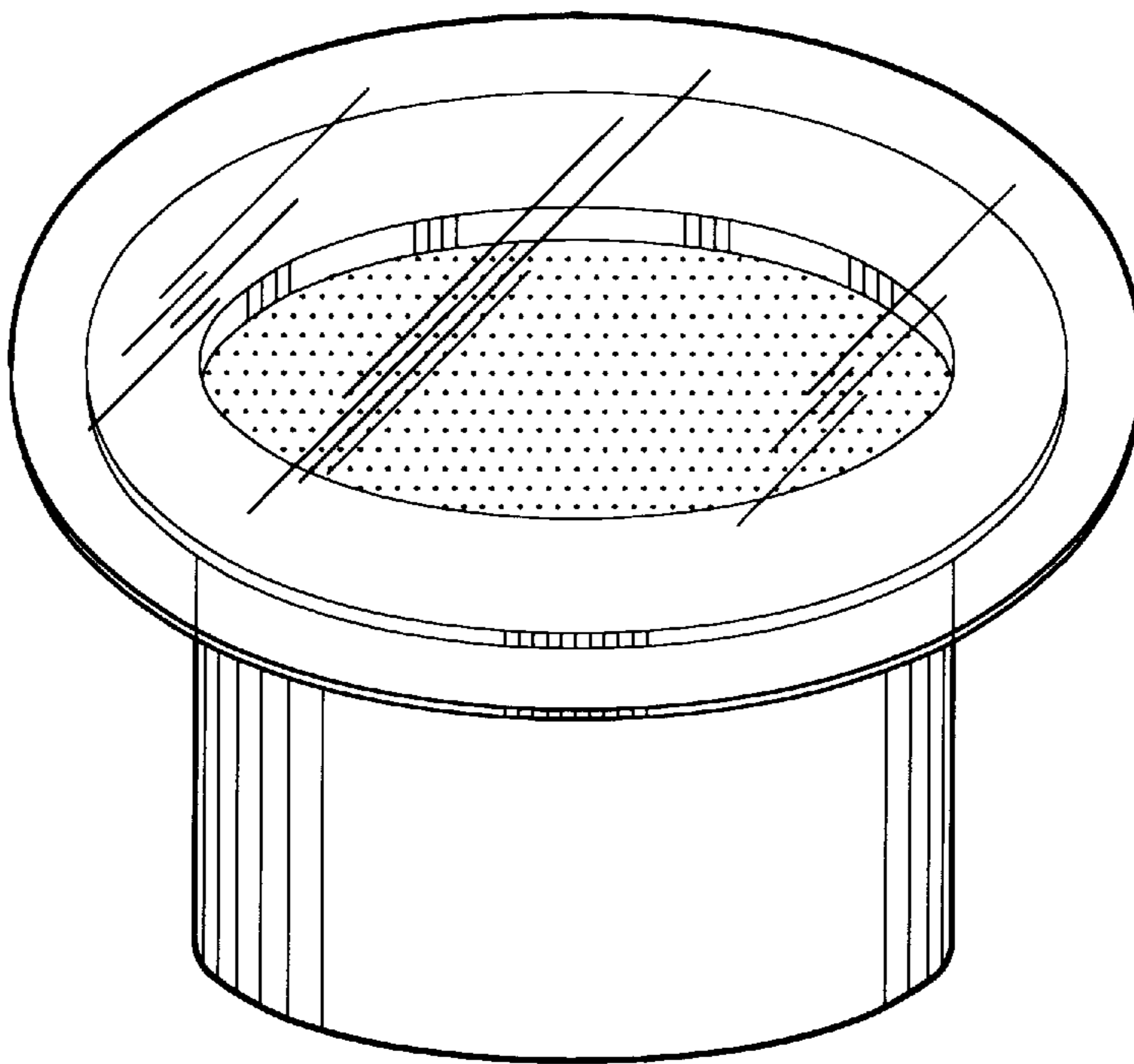
FIG. 1 is a perspective view of the syringe needle cushion with cover embodying my design;

FIG. 2 is a side elevational view thereof, all other side elevational views being identical;

FIG. 3 is a top plan view of FIG. 2; and,

FIG. 4 is a perspective view thereof, but without the cover; and the bottom view of the syringe needle with cushion, not shown, forms no part of the claimed design.

1 Claim, 2 Drawing Sheets



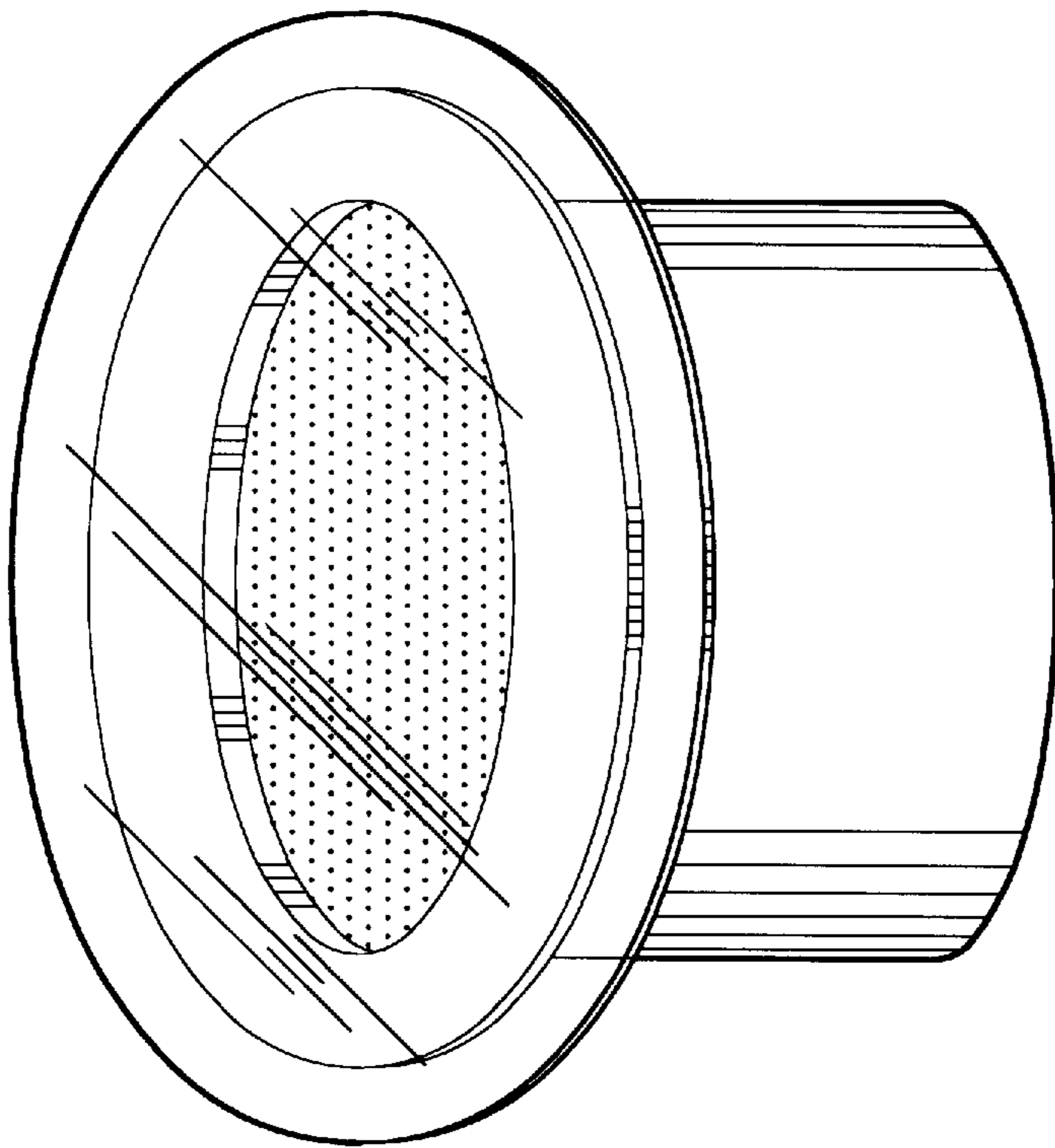


FIG. 1

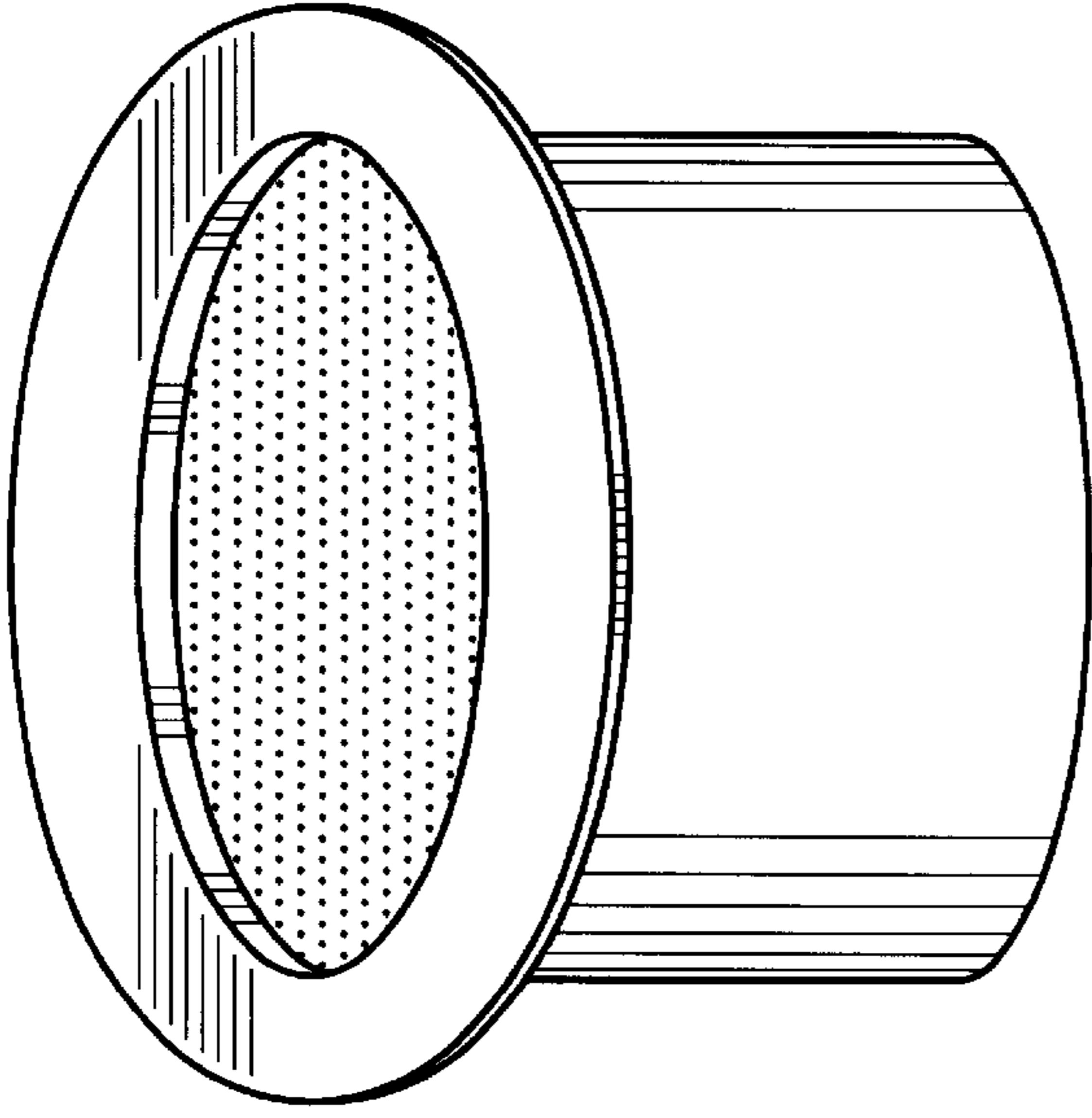


FIG. 4

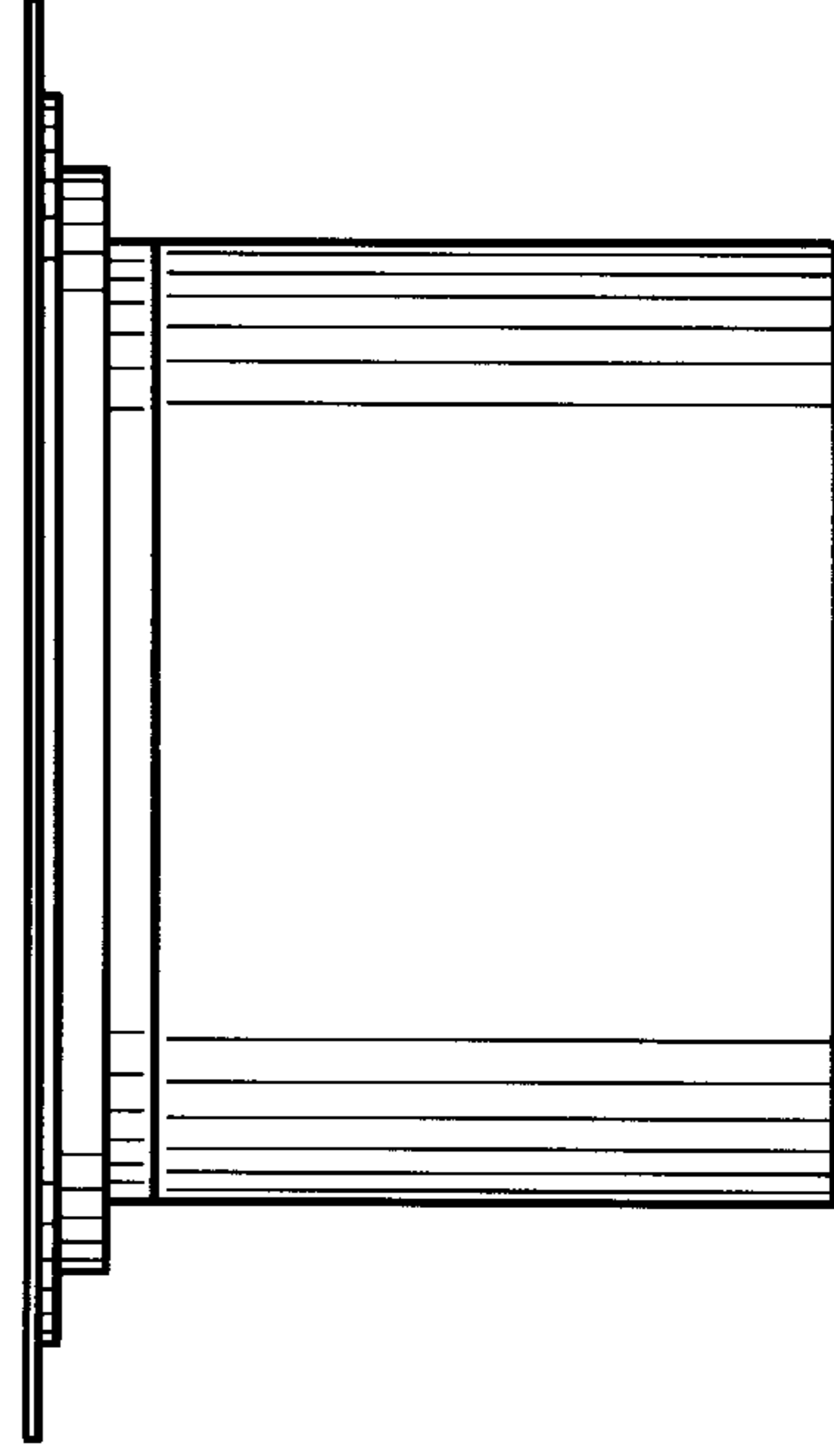


FIG. 2

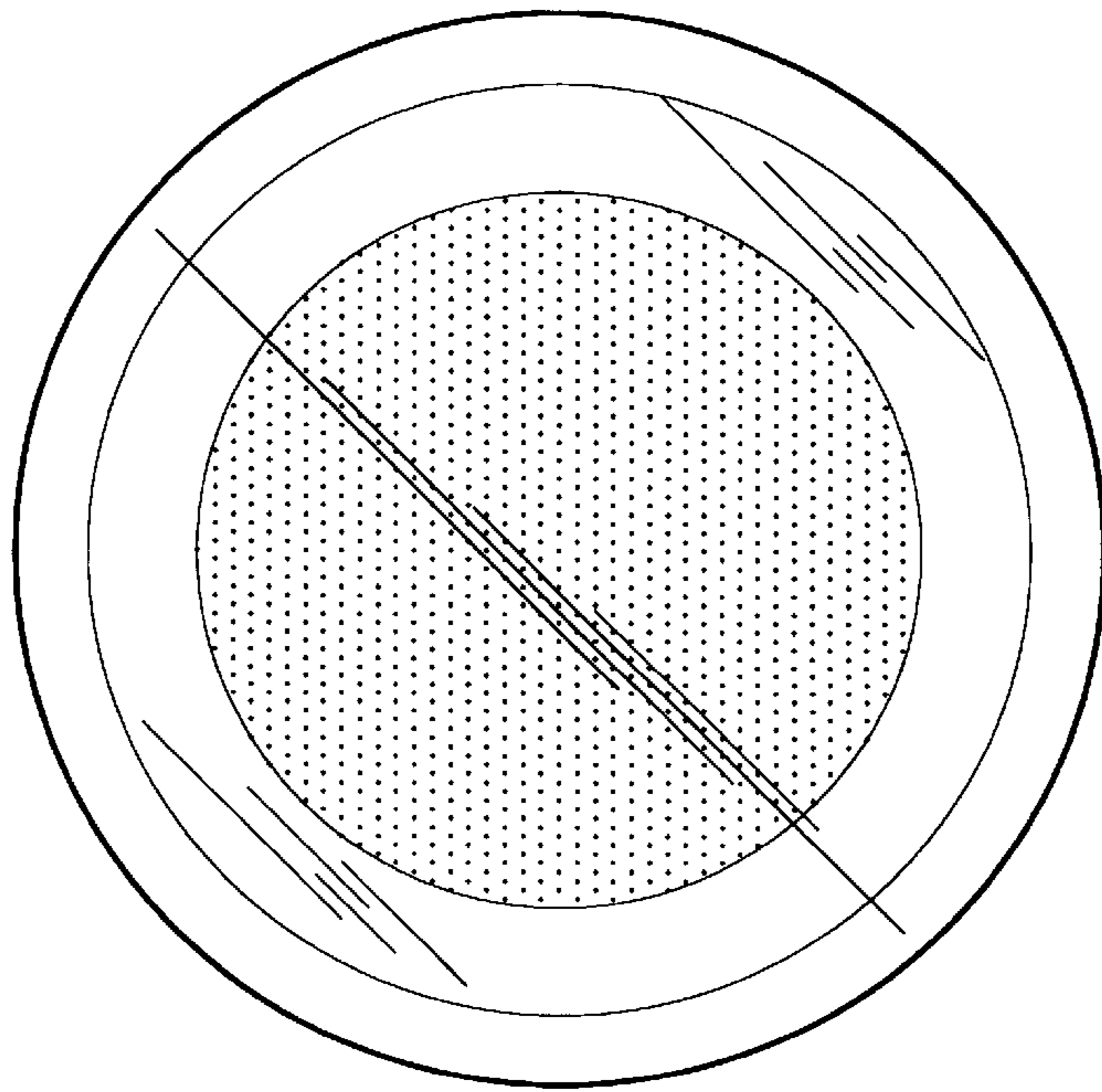


FIG. 3