



US00D399315S

# United States Patent [19]

Fulk et al.

[11] **Patent Number:** **Des. 399,315**

[45] **Date of Patent:** **\*\*Oct. 6, 1998**

[54] **SYRINGE OPERATOR**

[75] Inventors: **Paul F. Fulk**, W. Carrollton; **Earnie S. Philpot**, Centerville, both of Ohio

[73] Assignee: **Para Tech Industries, Inc.**, Moraine, Ohio

[\*\*] Term: **14 Years**

[21] Appl. No.: **57,272**

[22] Filed: **Jul. 22, 1996**

[51] **LOC (6) Cl.** ..... **24-02**

[52] **U.S. Cl.** ..... **D24/114**

[58] **Field of Search** ..... D24/111, 112, D24/130, 114, 113, 144, 146; 604/157, 414, 115, 264, 35, 27, 902

[56] **References Cited**

**U.S. PATENT DOCUMENTS**

- D. 247,576 3/1978 Ekber .
- D. 284,306 6/1986 Moore, Jr. .
- D. 295,315 4/1988 Nelson .

- D. 370,974 6/1996 Barresi et al. .... D24/111
- 1,991,103 2/1935 King .
- 2,730,099 1/1956 Sullivan .

*Primary Examiner*—Susan J. Lucas  
*Assistant Examiner*—Cynthia E. Ramirez  
*Attorney, Agent, or Firm*—William Weigl, Esq.

[57] **CLAIM**

The ornamental design for a syringe operator, as shown and described.

**DESCRIPTION**

FIG. 1 is an isometric top, left side view of the syringe operator showing our new design;  
FIG. 2 is an isometric bottom, right side view of the syringe operator;  
FIG. 3 is a right side view of the syringe operator from the opposite end of that shown in FIGS. 1 and 2;  
FIG. 4 is a top view of FIG. 3;  
FIG. 5 is a bottom view of FIG. 3; and,  
FIG. 6 is a front view thereof.

**1 Claim, 2 Drawing Sheets**

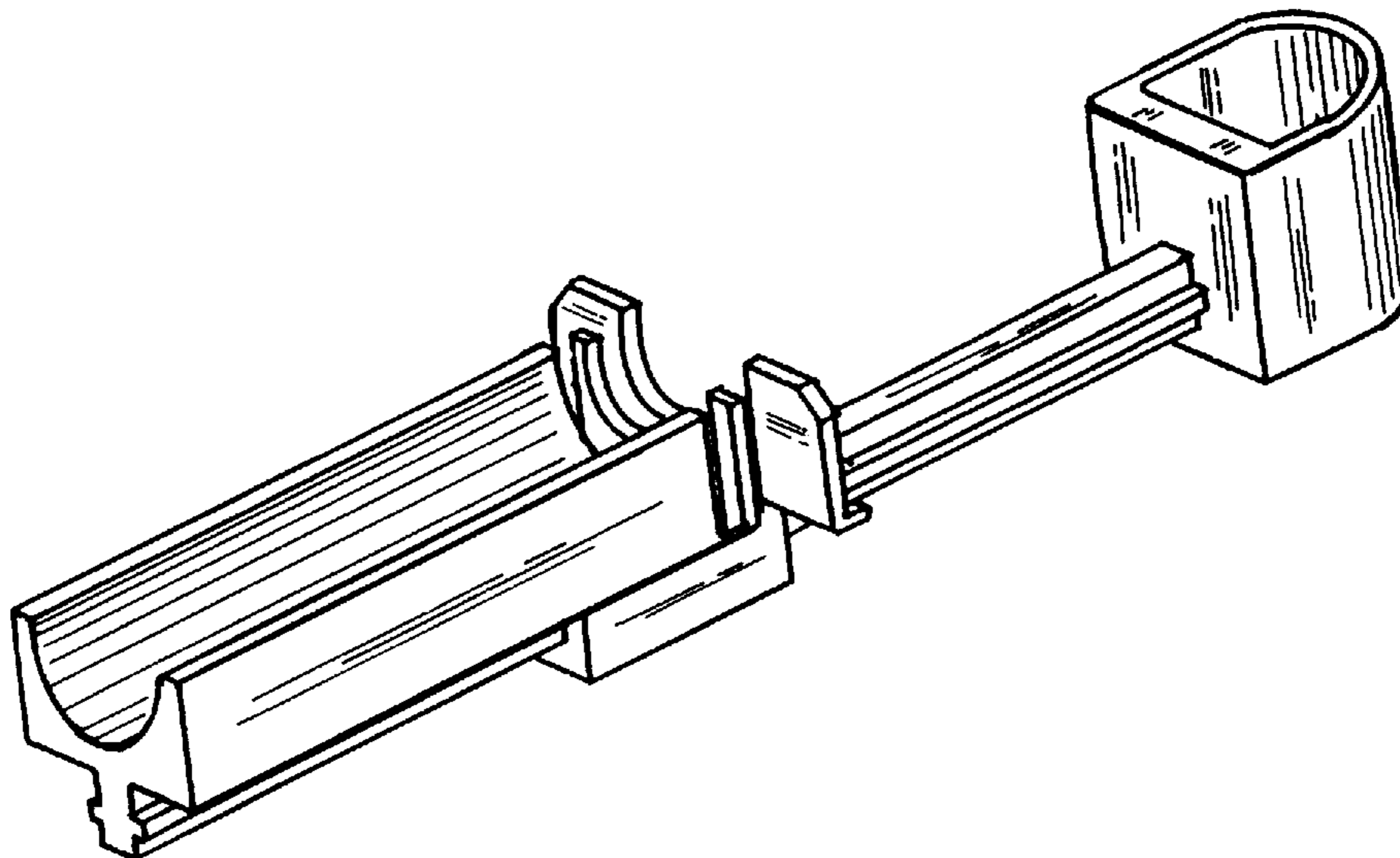


FIG. 1

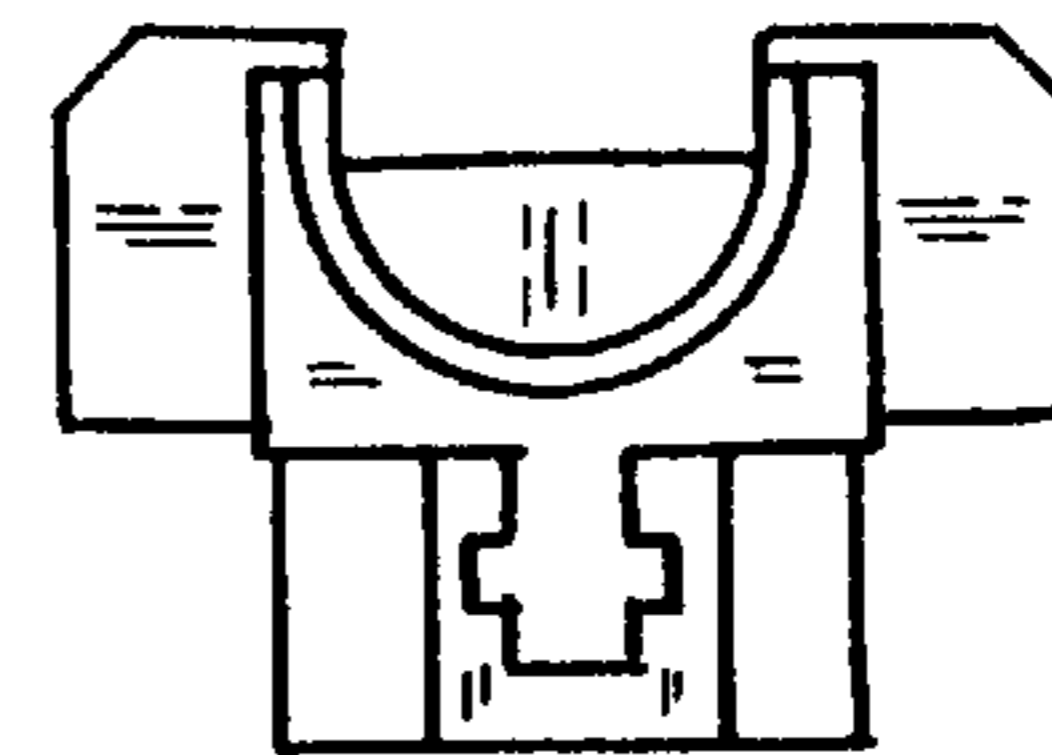
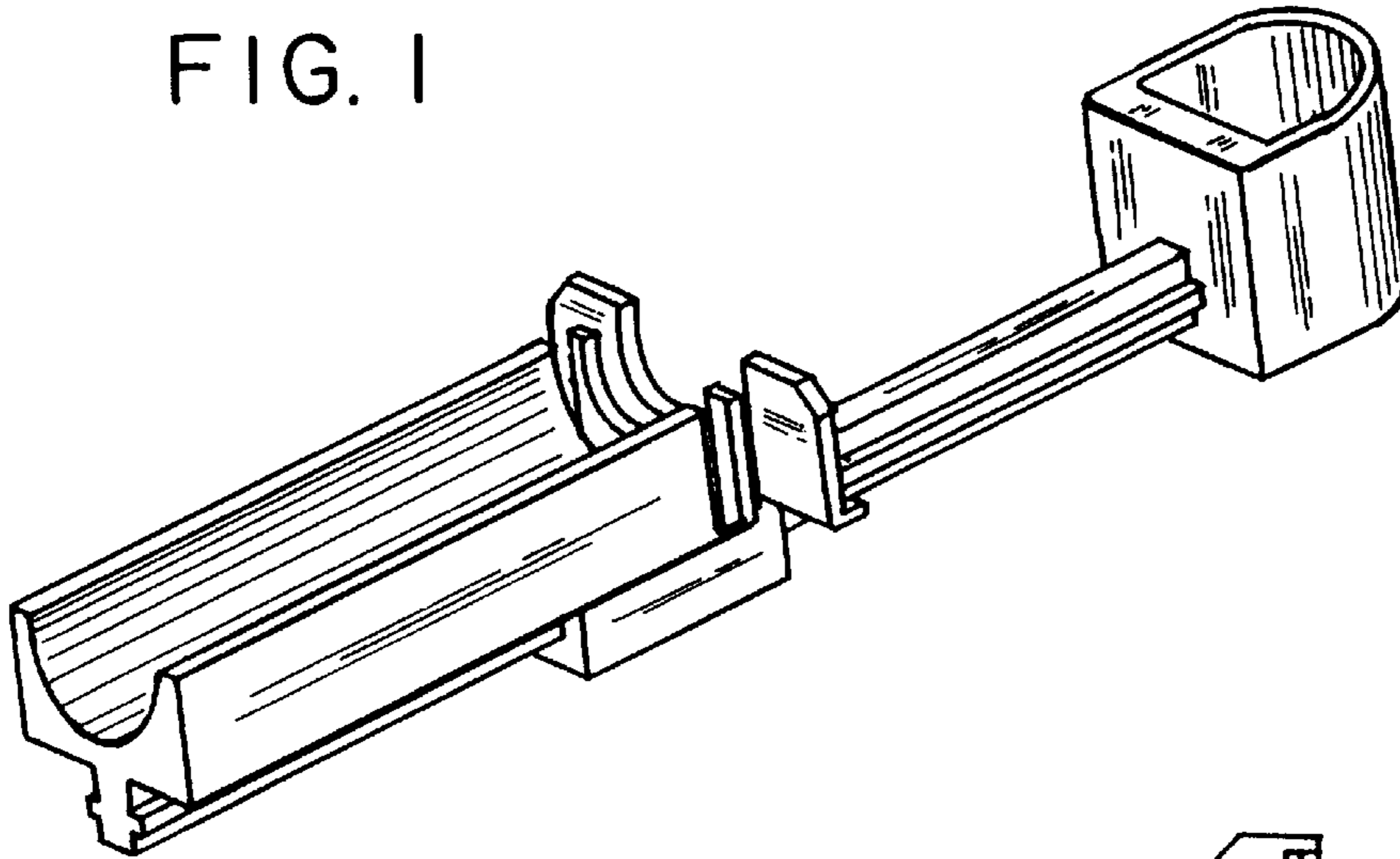
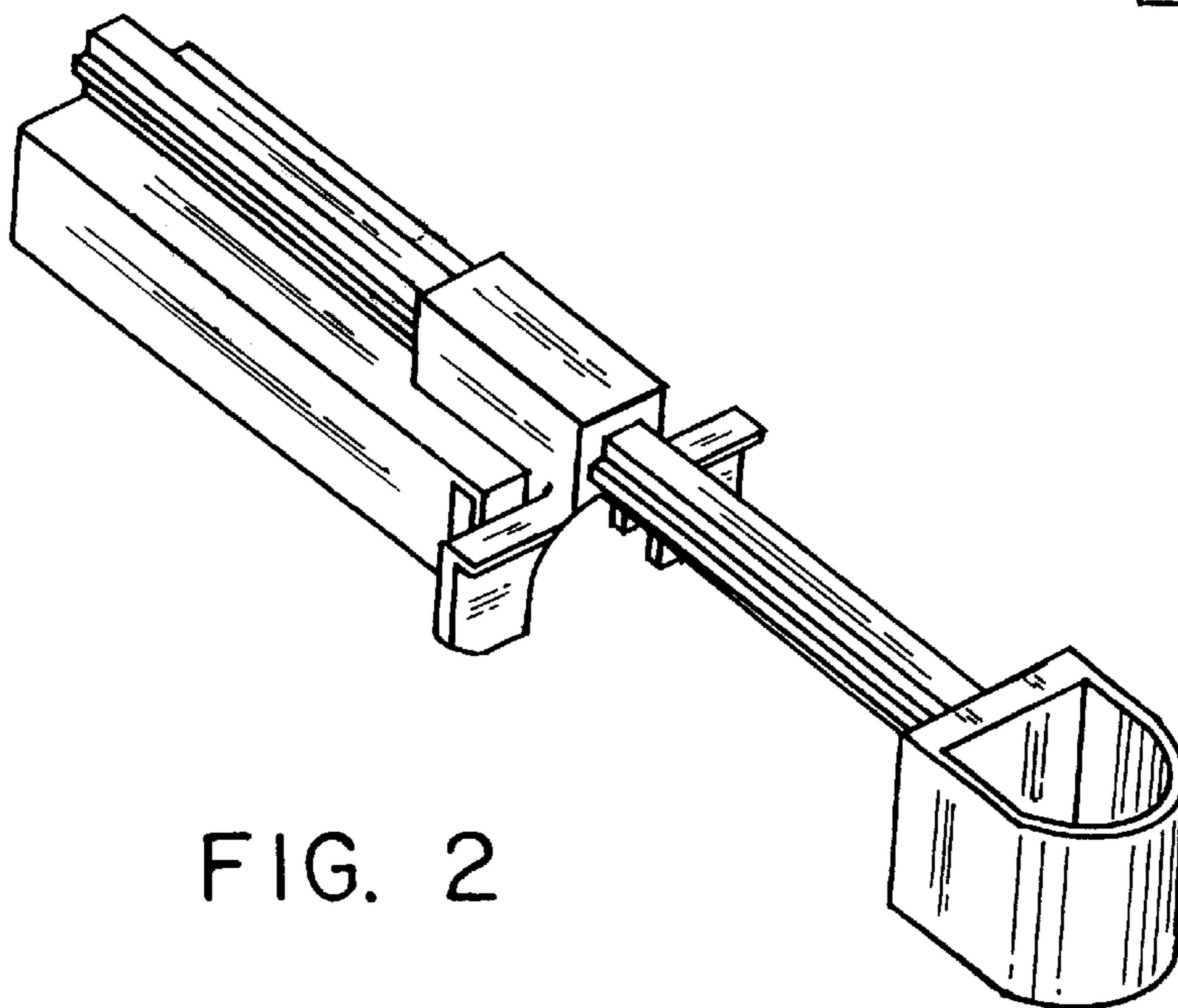


FIG. 6

FIG. 2



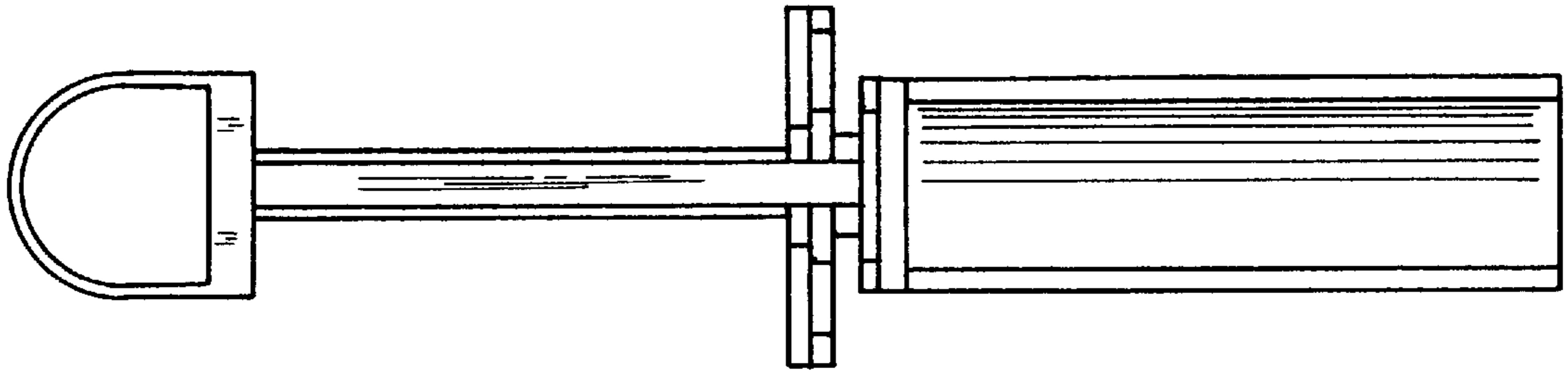


FIG. 4

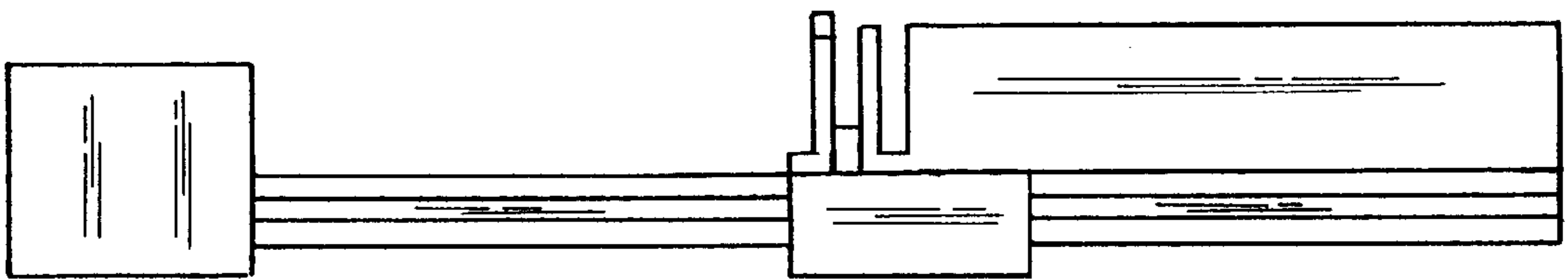


FIG. 3

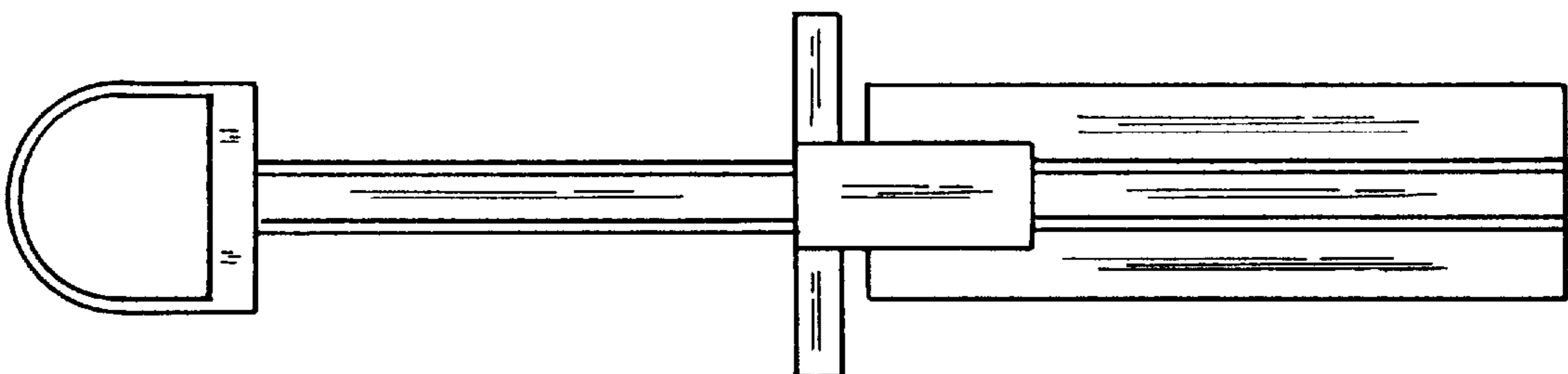


FIG. 5