



US00D399306S

United States Patent [19] Hansen

[11] **Patent Number:** **Des. 399,306**
[45] **Date of Patent:** ****Oct. 6, 1998**

[54] **SPA TUB**

[75] Inventor: **Borg Hansen**, Calabasas, Calif.

[73] Assignee: **Softub, Inc.**, Chatsworth, Calif.

[**] Term: **14 Years**

[21] Appl. No.: **72,544**

[22] Filed: **Jun. 18, 1997**

[51] **LOC (6) Cl.** **23-02**

[52] **U.S. Cl.** **D23/277**

[58] **Field of Search** D23/277, 200.1-200.4;
D24/201, 202, 204, 205; 4/538, 539, 540,
541.1-541.6, 584, 585, 588

[56] **References Cited**

U.S. PATENT DOCUMENTS

- D. 51,506 11/1917 Miyahara .
- D. 252,042 6/1979 Jacuzzi .
- D. 264,129 4/1982 Tulipani .
- D. 274,455 6/1984 Cuttriss .
- D. 293,363 12/1987 Everard .
- 933,954 9/1909 Brattin .
- 1,450,444 4/1923 McGuire .
- 1,941,832 1/1934 Gottfried .
- 1,955,022 4/1934 Rodman .
- 2,733,711 2/1956 Gibson .
- 2,734,459 2/1956 Zimsky .
- 2,805,426 9/1957 Rempel .
- 2,844,825 7/1958 Gauerke .
- 3,157,774 11/1964 Moore et al. .
- 3,300,355 1/1967 Adams .
- 3,337,384 8/1967 Wright .
- 3,396,412 8/1968 Francom .
- 3,720,964 3/1973 Thomson .
- 3,734,811 5/1973 Small et al. .
- 3,772,714 11/1973 Sealby et al. .
- 3,923,573 12/1975 Hay, II .
- 3,943,580 3/1976 Carter .
- 3,970,210 7/1976 Katsuta .
- 4,118,814 10/1978 Holton .
- 4,349,434 9/1982 Jaworski .
- 4,546,900 10/1985 Lackey .
- 4,564,962 1/1986 Castleberry et al. .
- 4,579,617 4/1986 Oberg et al. .
- 4,658,448 4/1987 Rogers et al. .

- 4,679,545 7/1987 Cavestany .
- 4,699,288 10/1987 Mohan .
- 4,829,607 5/1989 Huse .
- 4,843,659 7/1989 Popovich et al. .
- 4,858,254 8/1989 Popovich et al. .
- 4,901,379 2/1990 Chalberg et al. .
- 4,981,543 1/1991 Popovich et al. .
- 5,022,101 6/1991 Gosselin et al. .
- 5,092,951 3/1992 Popovich et al. .
- 5,527,412 6/1996 Hansen et al. .

FOREIGN PATENT DOCUMENTS

- 3204323 8/1983 Germany .
- 3320617 7/1984 Germany .
- 3602771 10/1986 Germany .
- 3610823 7/1987 Germany .
- 904763 8/1962 United Kingdom .
- 1381723 1/1975 United Kingdom .
- 1592982 7/1981 United Kingdom .
- 2171008 8/1986 United Kingdom .

Primary Examiner—Louis S. Zarfaz
Assistant Examiner—Eric Watterson
Attorney, Agent, or Firm—William W. Haefliger

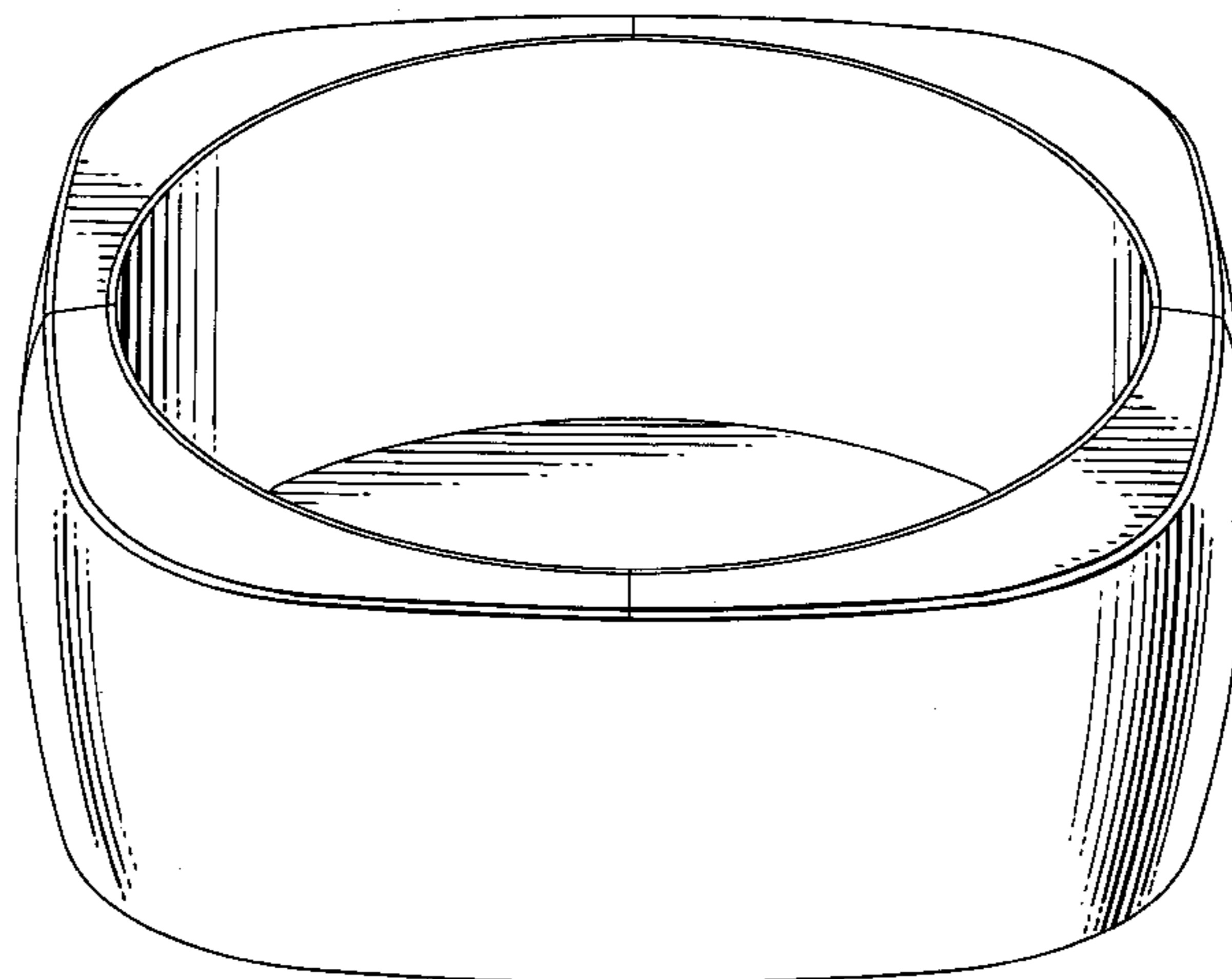
[57] **CLAIM**

The ornamental design for a spa tub, as shown and described.

DESCRIPTION

FIG. 1 is a top perspective view of a spa tub, showing my new design;
 FIG. 2 is an elevation view of the front of the FIG. 1 spa tub, the rear and left and right sides being the same;
 FIG. 3 is a top plan view of the spa tub of FIG. 1;
 FIG. 4 is a top plan view, similar to FIG. 3, with a spa tub cover;
 FIG. 5 is a front elevation view of the FIG. 4 spa tub, the rear, left and right sides being the same;
 FIG. 6 is a bottom plan view of each of the FIG. 1 and FIG. 4 spa tubs;
 FIG. 7 is an elevation taken in section through the corner of the wall of the FIG. 1 spa tub; and,
 FIG. 8 is an elevation taken in section through the narrowed side wall of the FIG. 1 spa tub.

1 Claim, 4 Drawing Sheets



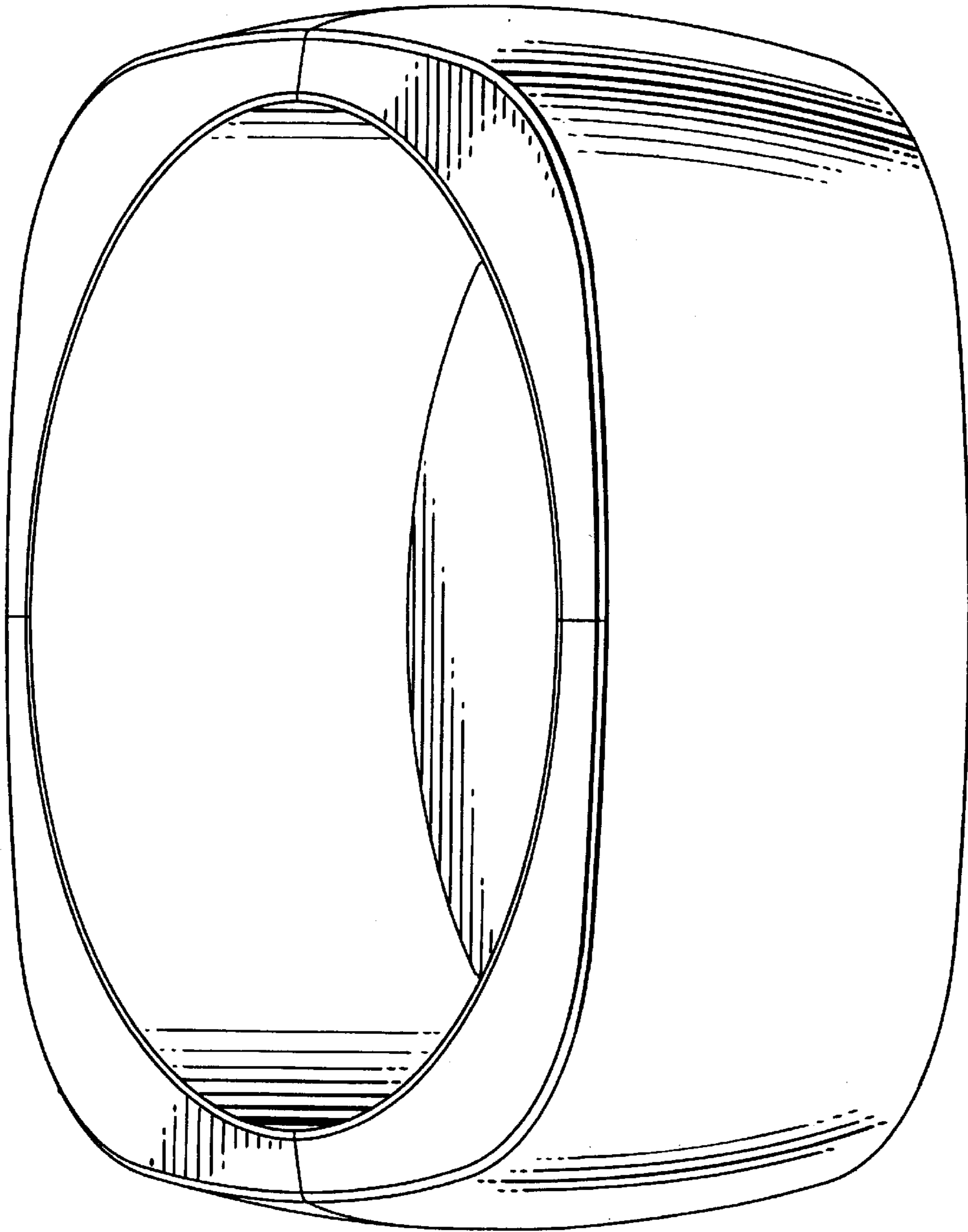


FIG. 1

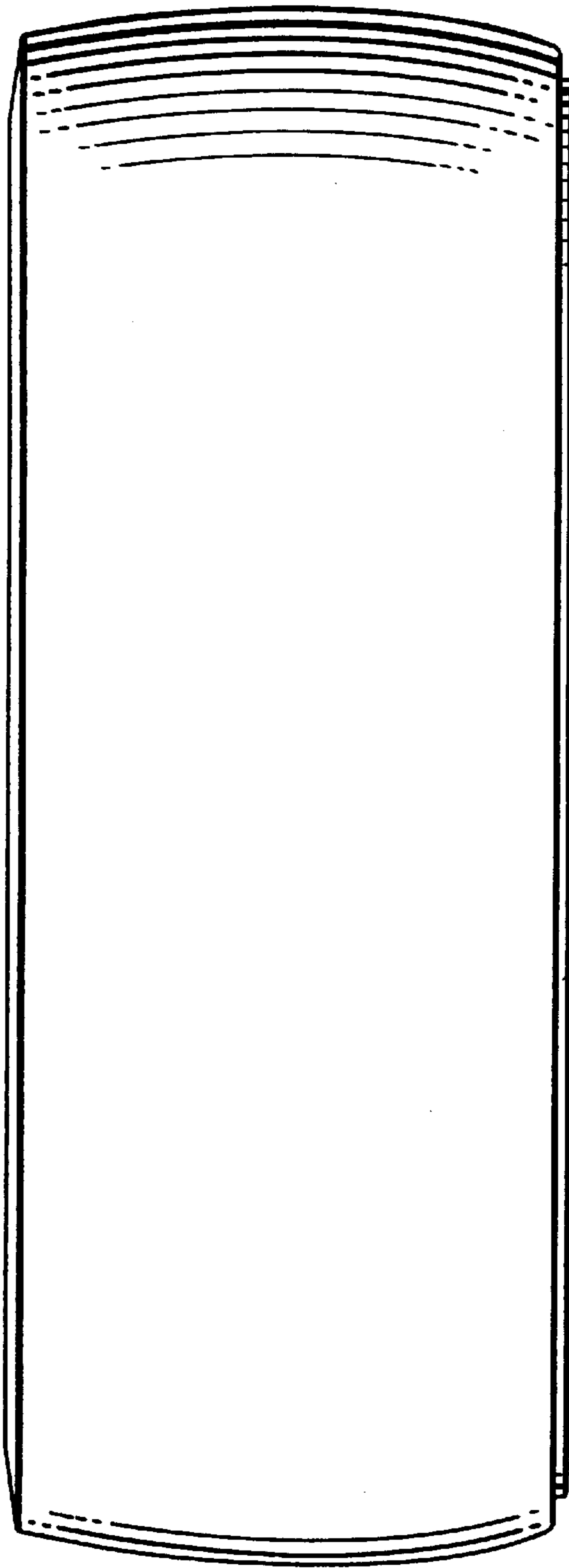


FIG. 2

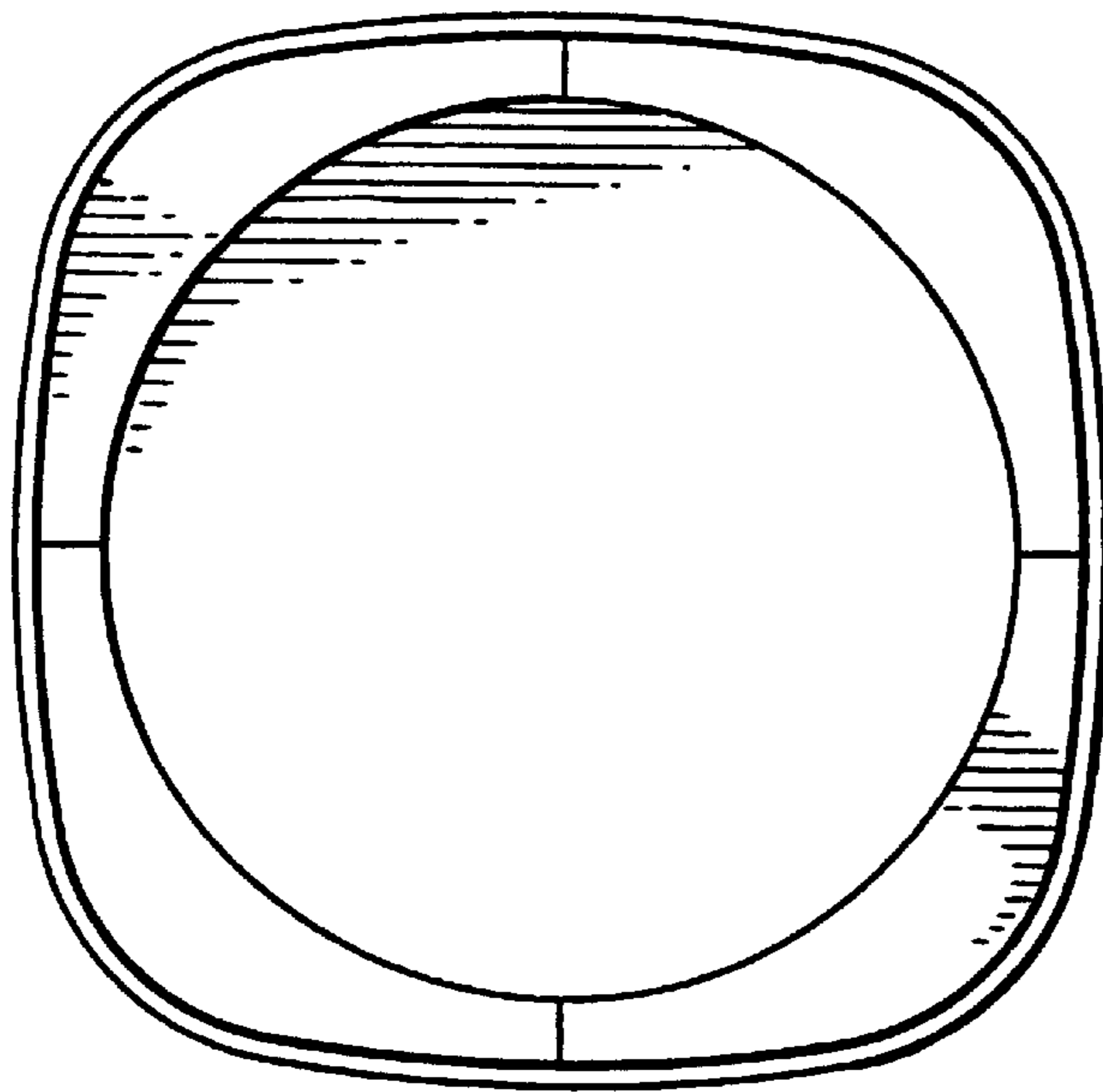


FIG. 3

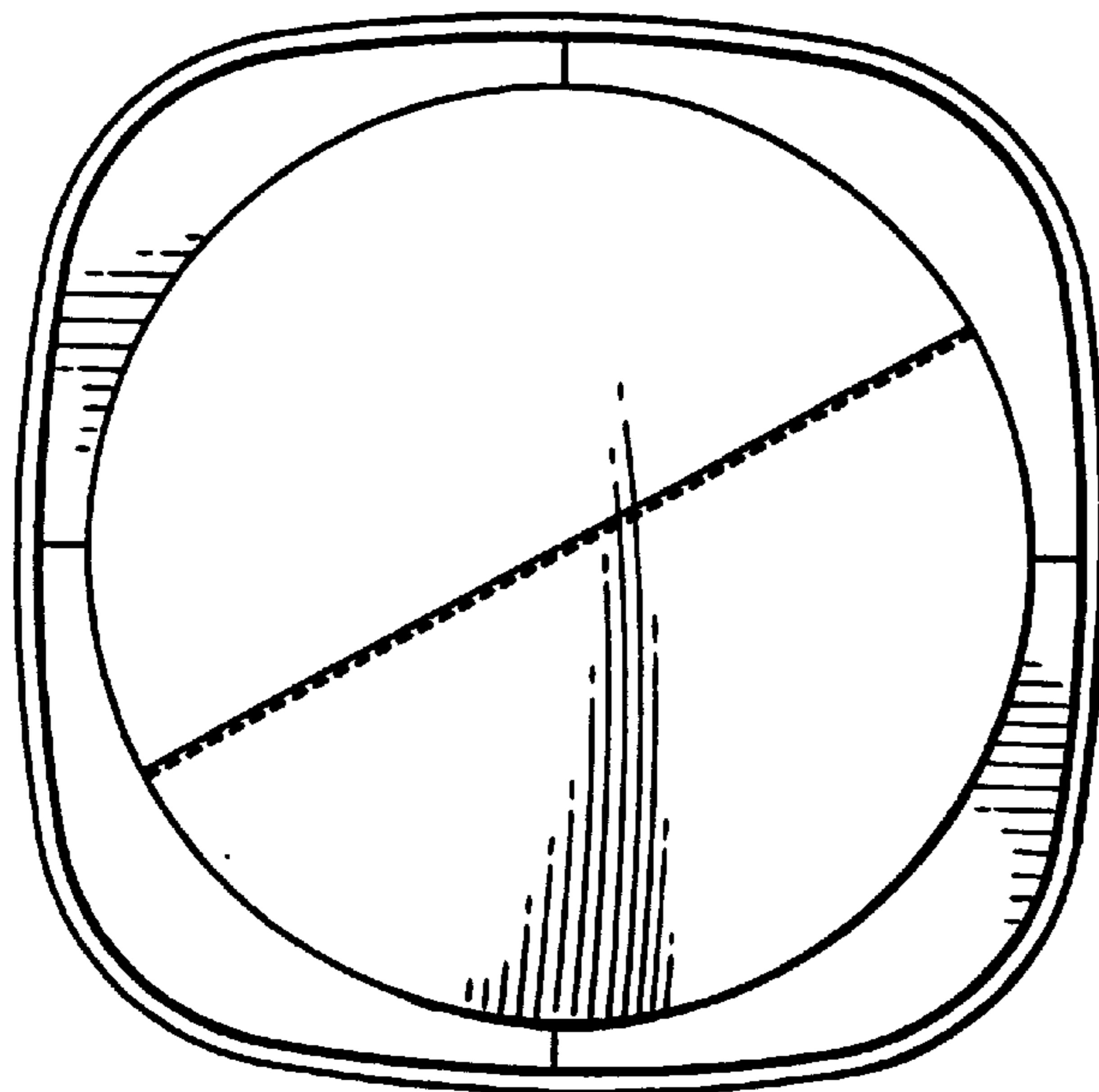


FIG. 4

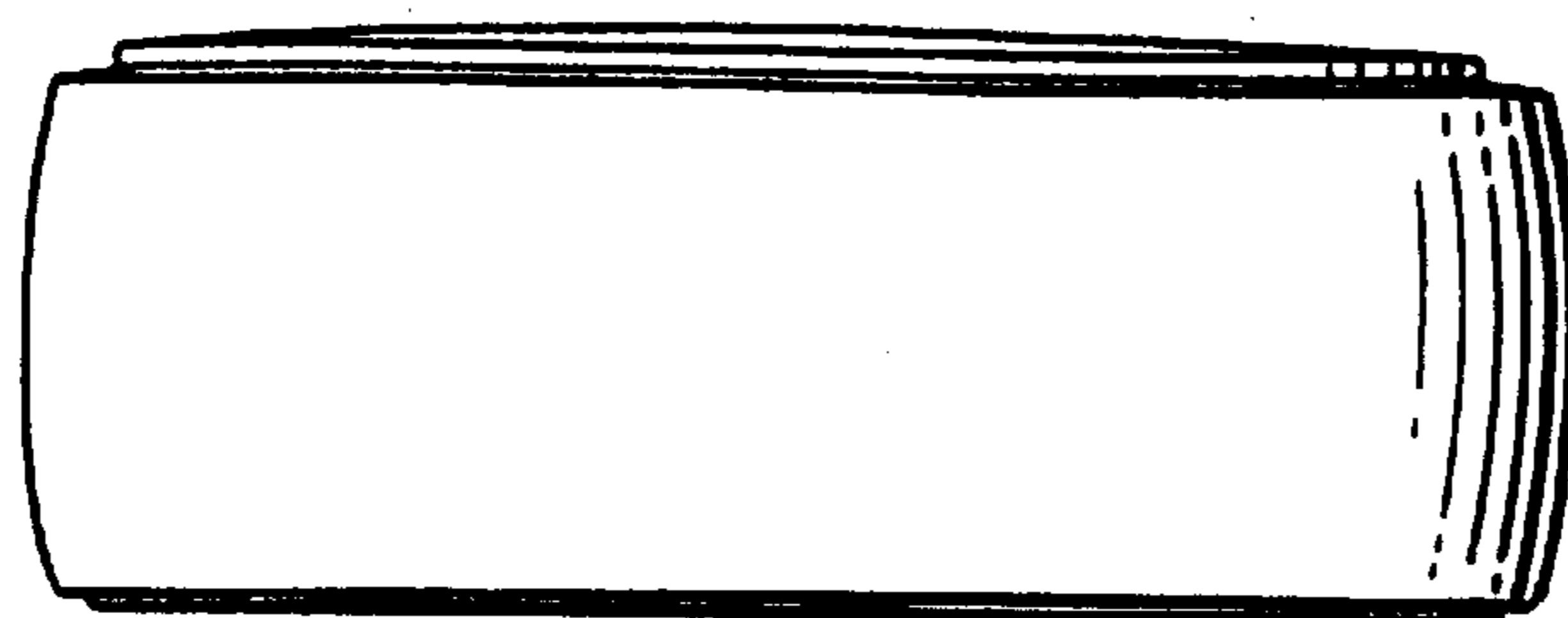


FIG. 5

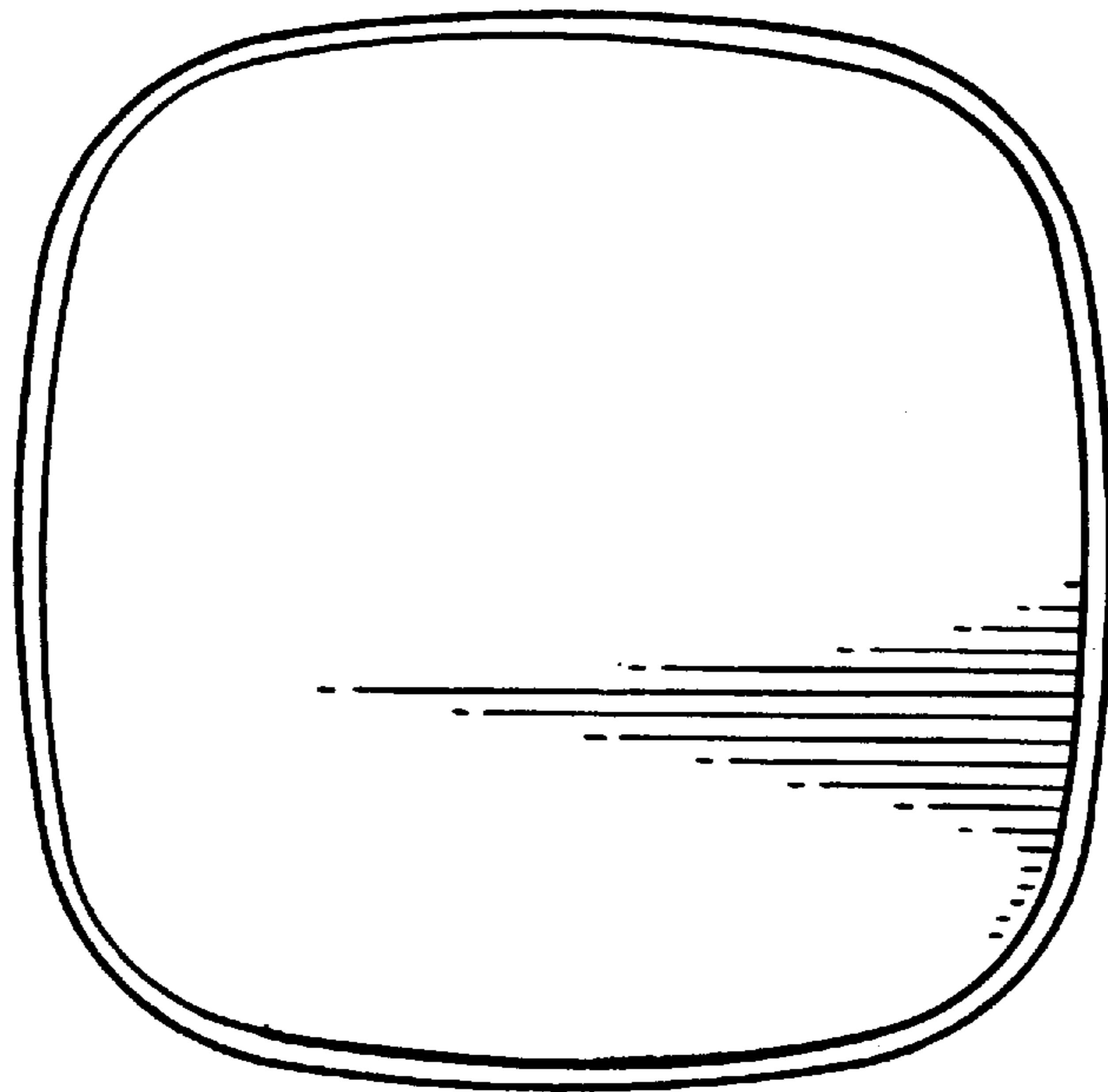


FIG. 6

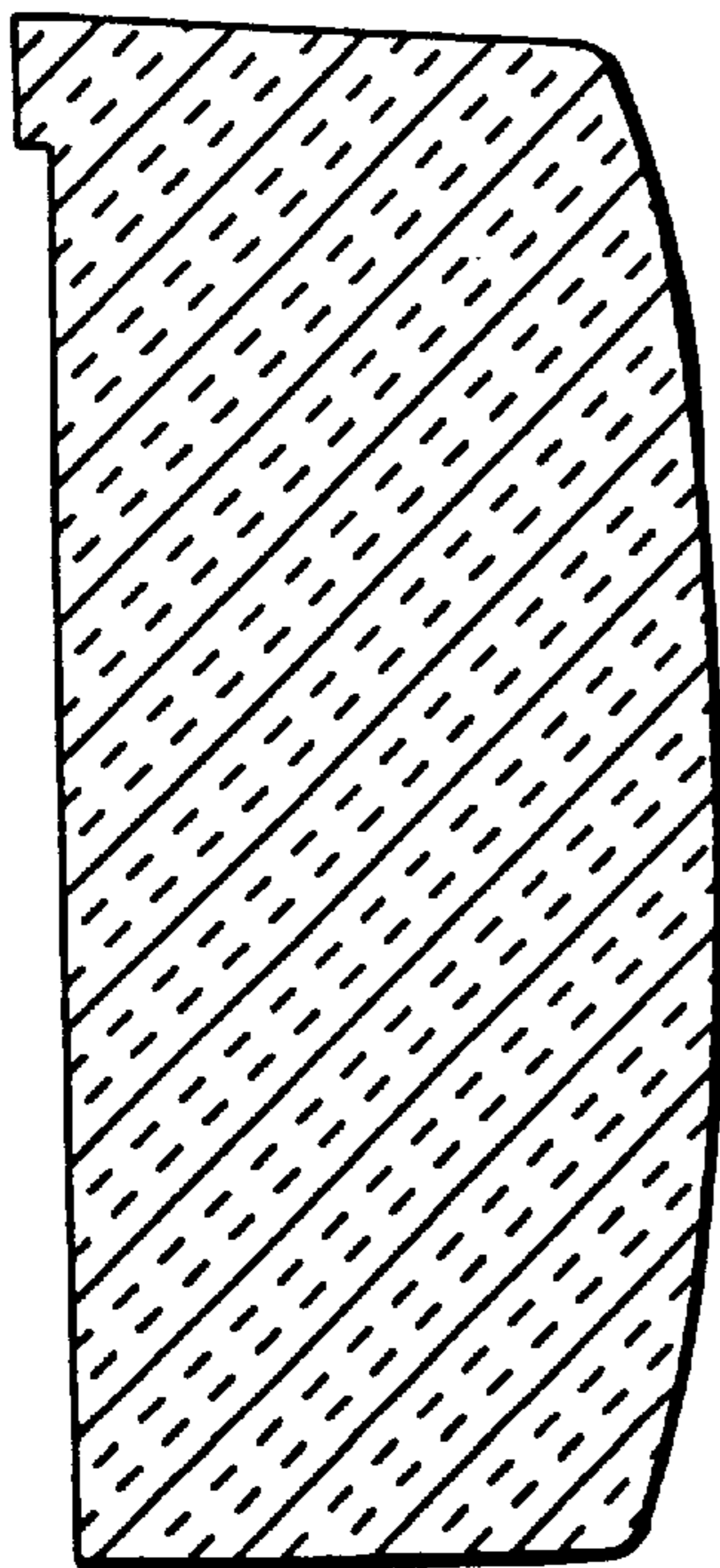


FIG. 7

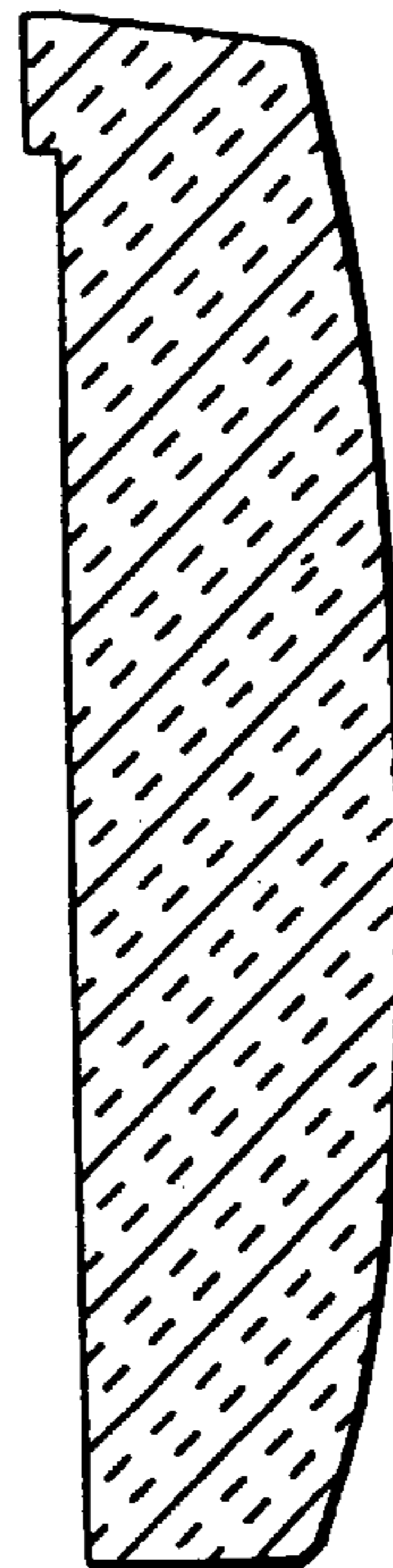


FIG. 8