



US00D399304S

United States Patent [19]

Mauk

[11] Patent Number: **Des. 399,304**

[45] Date of Patent: ****Oct. 6, 1998**

[54] **DRAIN GRATE WITH EARTH-SHAPED GRATE PATTERN**

D. 244,854 6/1977 Salamone D23/261
D. 276,839 12/1984 McCoy D23/261
4,454,039 6/1984 McCoy 404/4

[76] Inventor: **Mitchell Mauk**, 2242 19th St., San Francisco, Calif. 94107

Primary Examiner—Doris Clark
Attorney, Agent, or Firm—Haverstock & Owens LLP

[**] Term: **14 Years**

[57] CLAIM

[21] Appl. No.: **74,956**

The ornamental design for a drain grate with earth-shaped grate pattern, as shown and described.

[22] Filed: **Aug. 14, 1997**

DESCRIPTION

[51] **LOC (6) Cl.** **23-01**

[52] **U.S. Cl.** **D23/261**

[58] **Field of Search** D25/152, 53, 36, D25/157, 155; 52/302.1, 302.3, 656.8; 404/2, 4; D23/397, 261

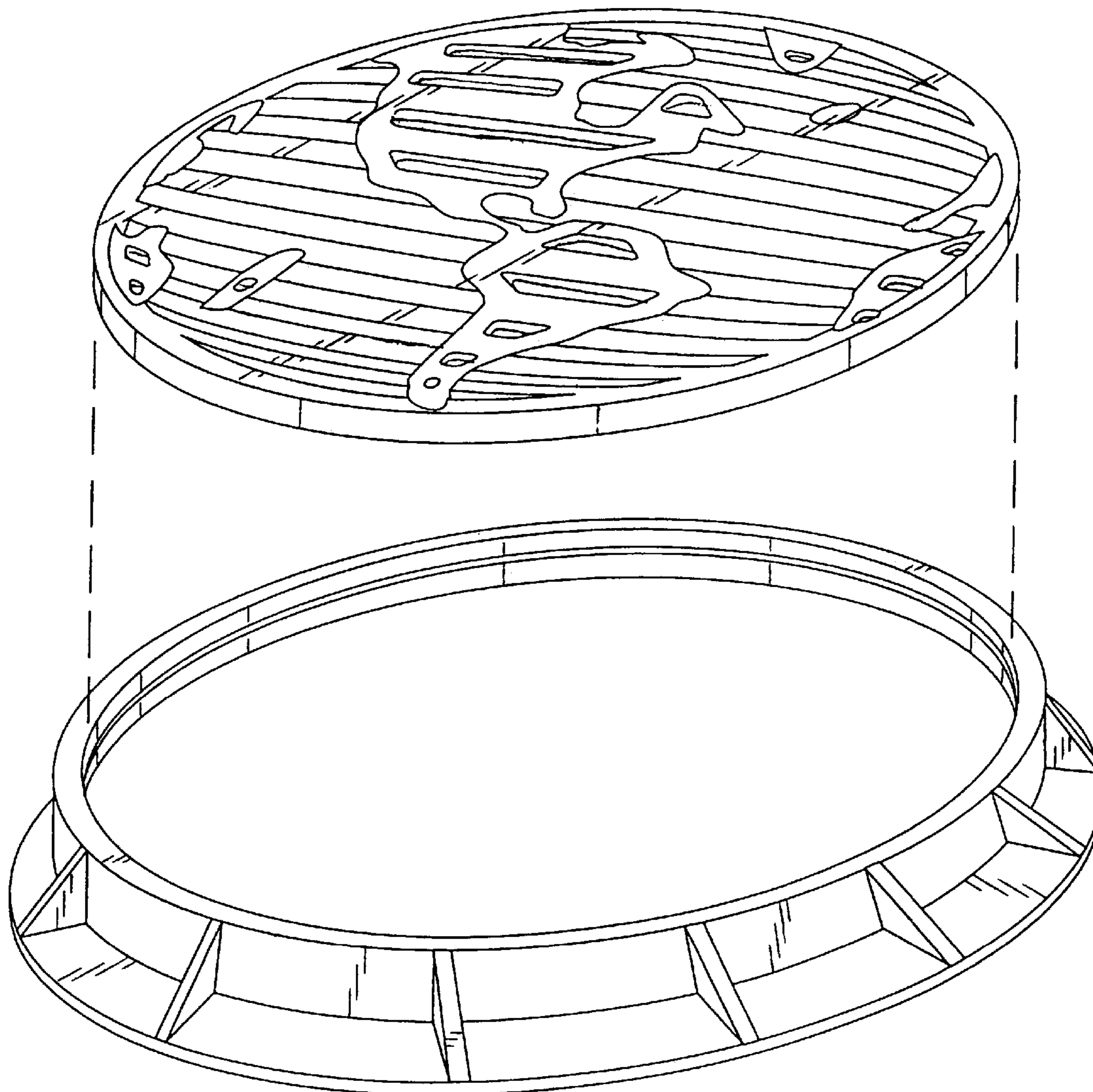
FIG. 1 illustrates a top plan view of the drain grate with earth-shaped grate pattern;
FIG. 2 illustrates a bottom plan view of the drain grate with earth-shaped grate pattern;
FIG. 3 illustrates a side view of the drain grate with earth-shaped grate pattern; and,
FIG. 4 illustrates an exploded top perspective view of the drain grate with earth-shaped grate pattern.

[56] References Cited

U.S. PATENT DOCUMENTS

Re. 26,366 4/1968 Flegel 404/2
D. 225,459 12/1972 Altobello D25/36

1 Claim, 2 Drawing Sheets



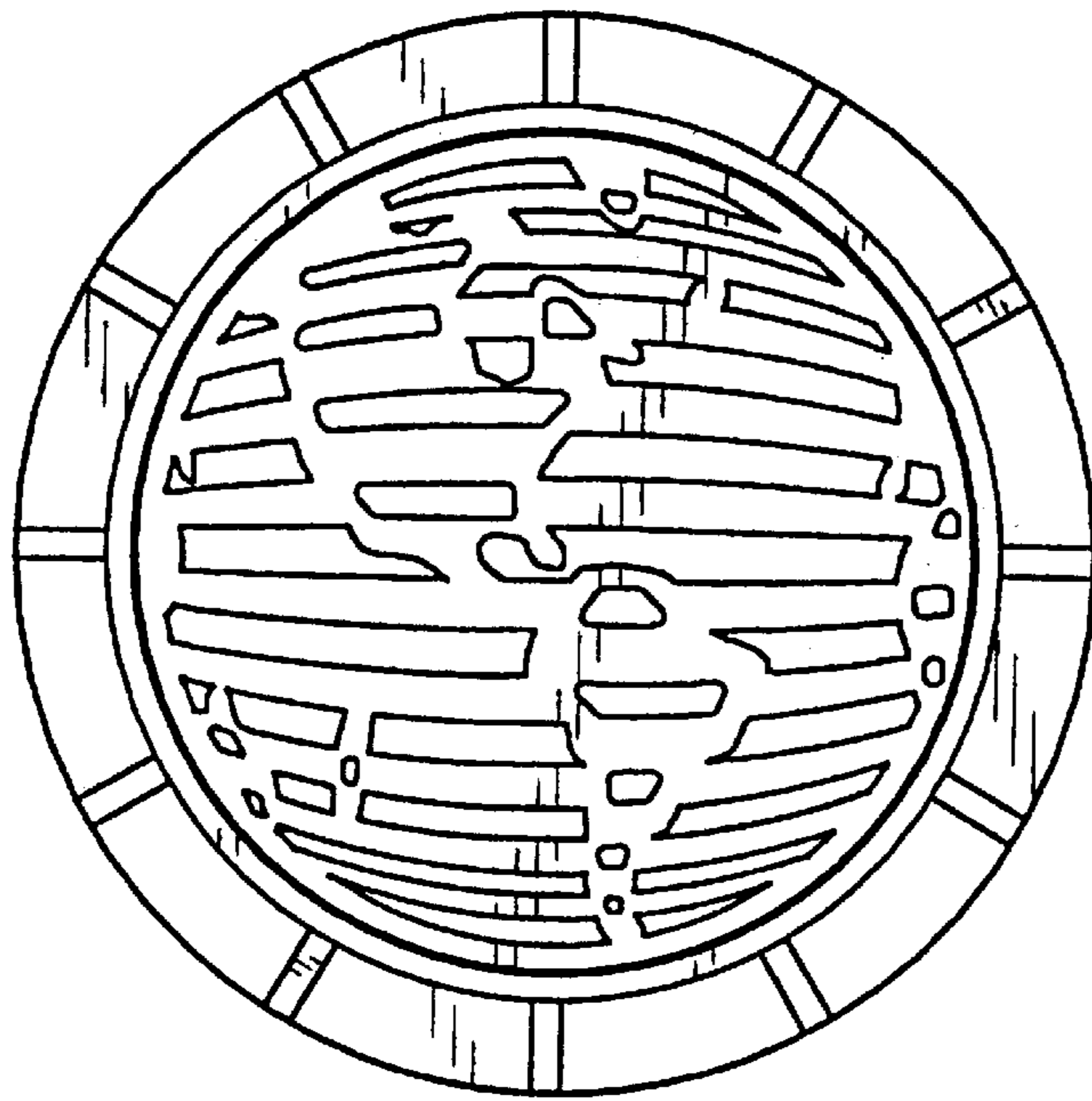


FIG. 1

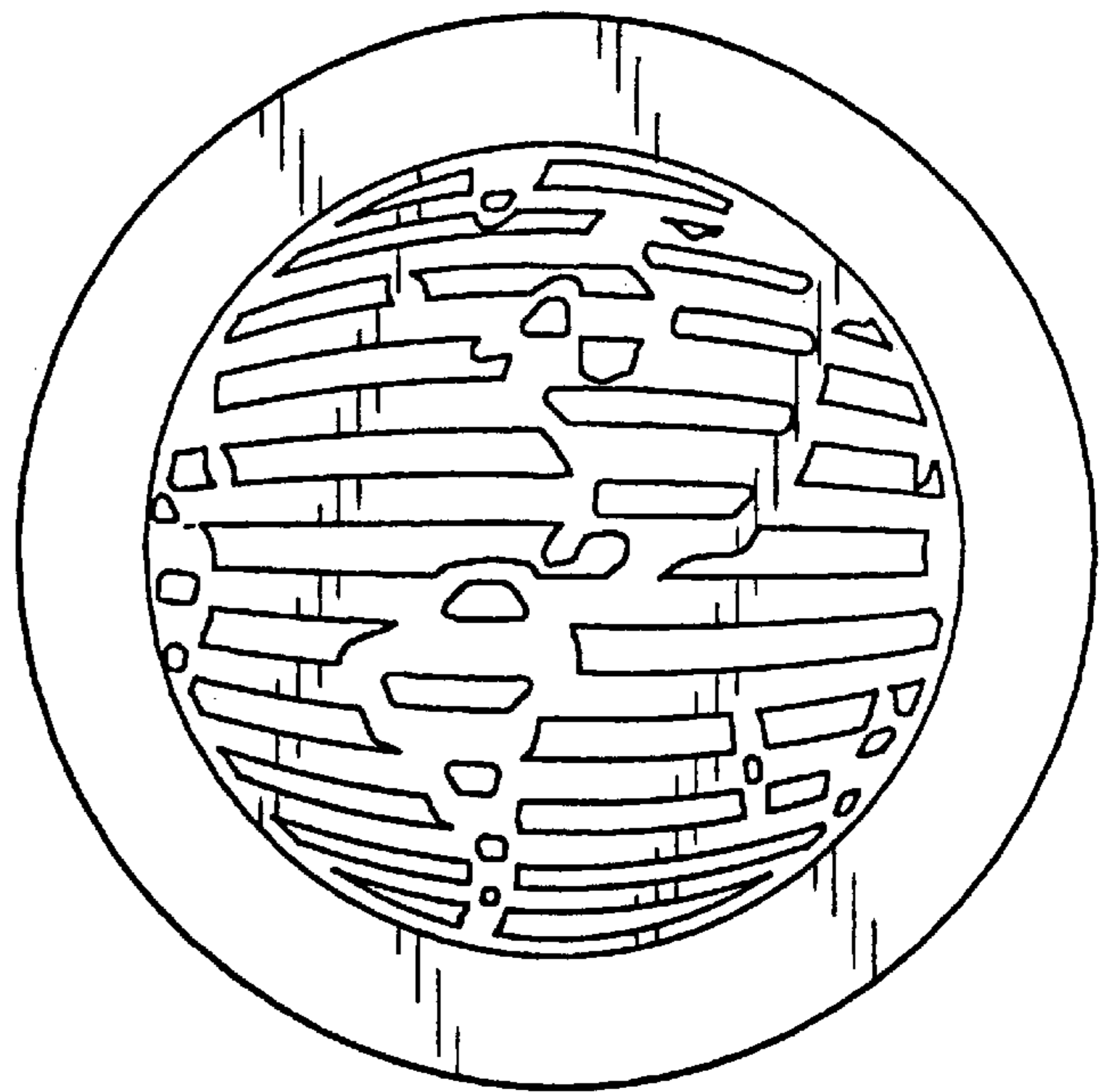


FIG. 2



FIG. 3

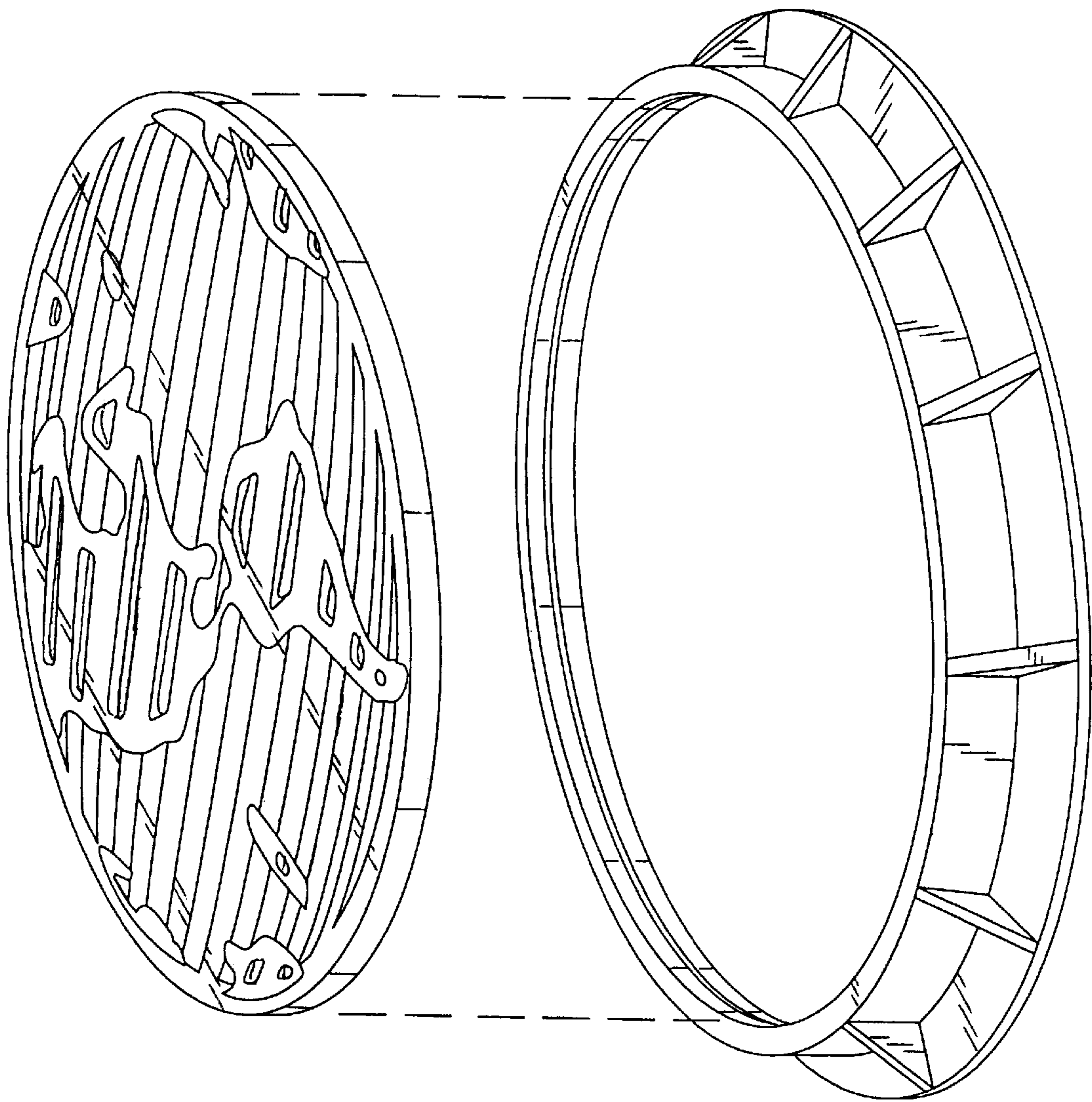


FIG. 4