



US00D399303S

# United States Patent [19] Hager

[11] **Patent Number:** **Des. 399,303**

[45] **Date of Patent:** **\*\*Oct. 6, 1998**

[54] **GAS REGULATOR COVER**

D. 311,056 10/1990 Patterson ..... D23/260  
D. 367,702 3/1996 Martin ..... D23/260

[76] Inventor: **William Hager**, 1095 County Rd. H2,  
White Bear Lake, Minn. 55127

*Primary Examiner*—Marcus A. Jackson  
*Attorney, Agent, or Firm*—D. L. Tschida

[\*\*] Term: **14 Years**

[57] **CLAIM**

[21] Appl. No.: **78,060**

The ornamental design for a gas regulator cover, as shown and described.

[22] Filed: **Oct. 17, 1997**

**DESCRIPTION**

[51] **LOC (6) Cl.** ..... **23-01**

[52] **U.S. Cl.** ..... **D23/260**

[58] **Field of Search** ..... D23/1, 2, 41, 42,  
D23/260, 259; 137/381, 382; 220/85 P

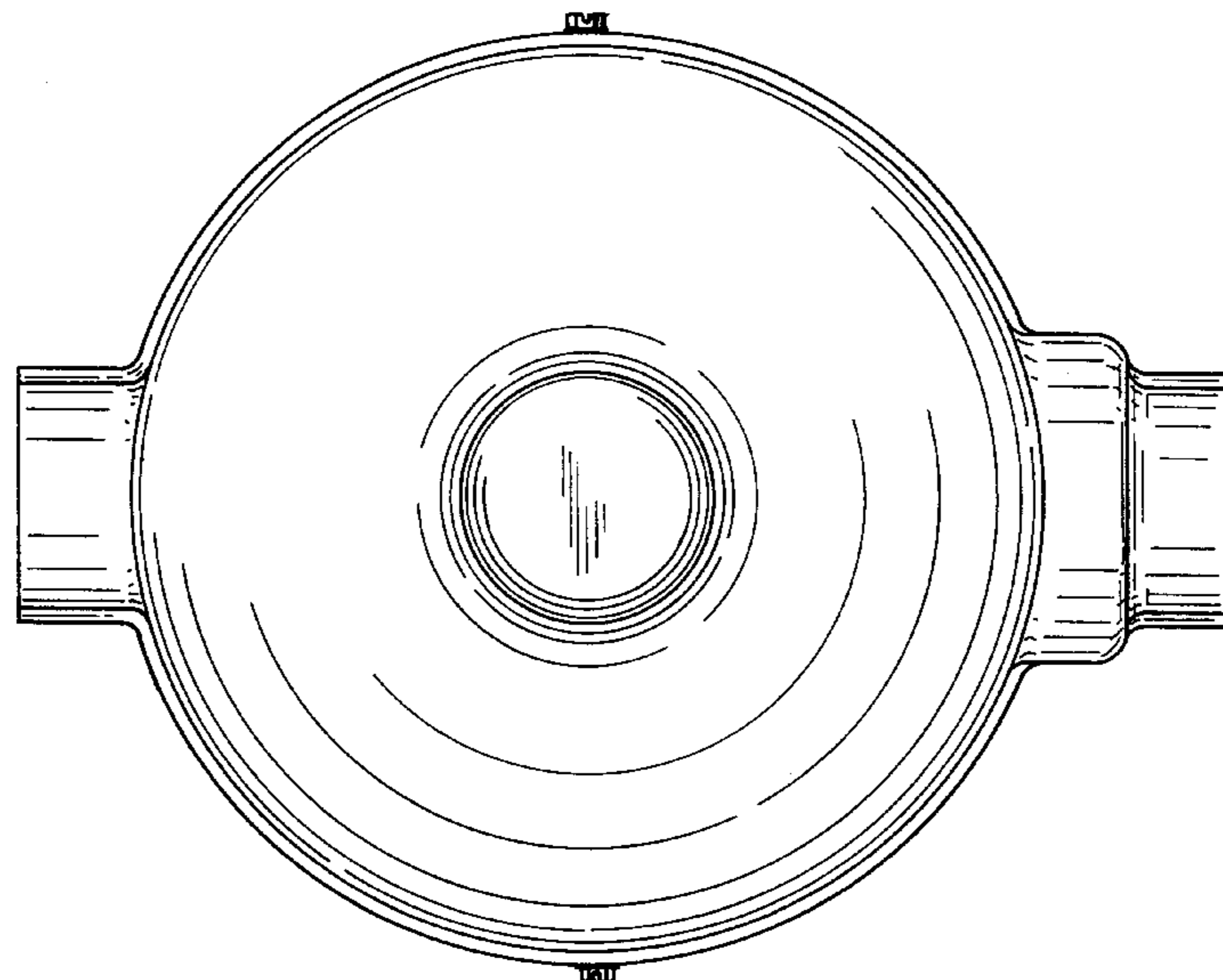
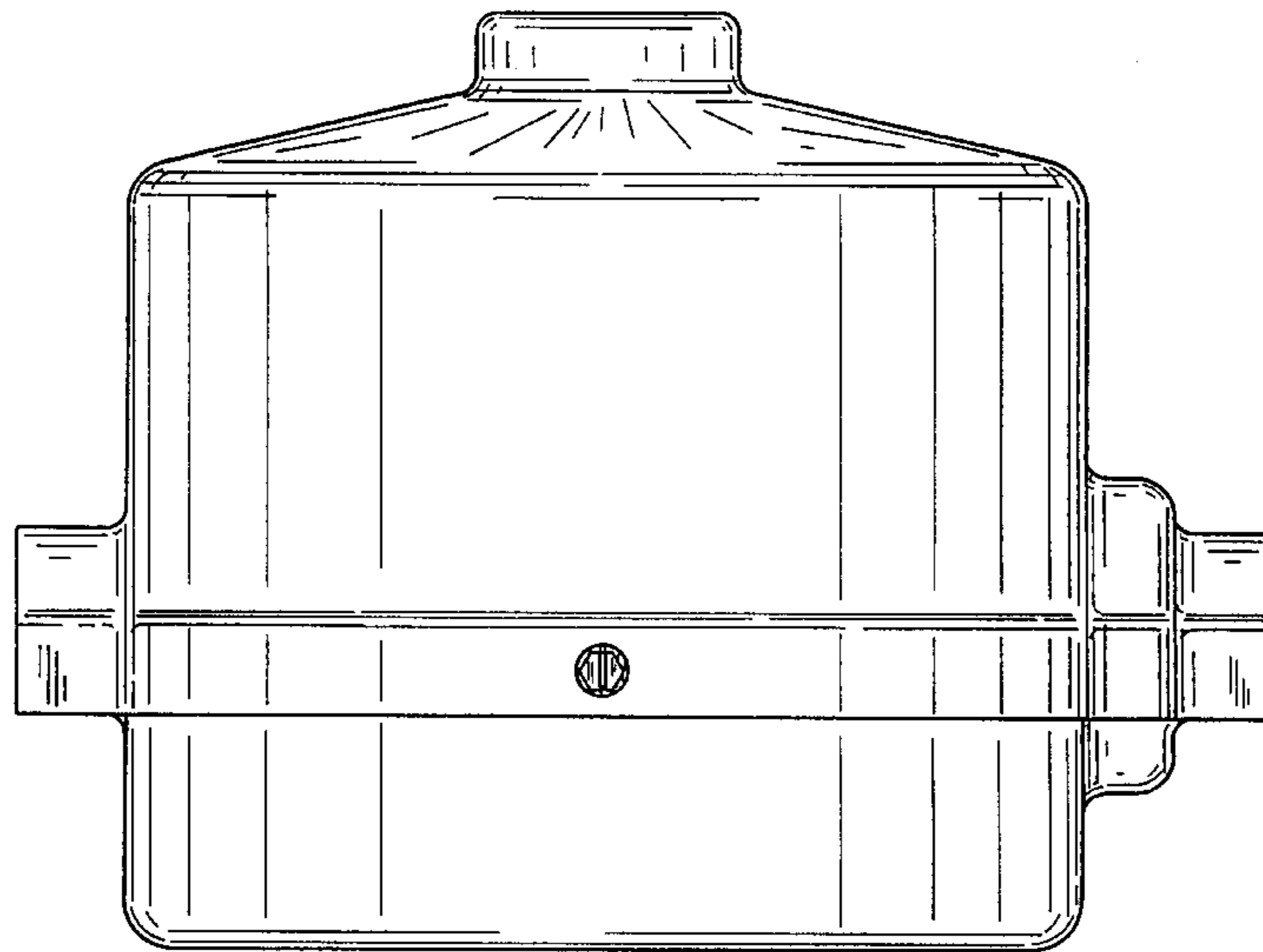
FIG. 1 is a front plan view of a gas regulator cover showing my new design, with the rear being a mirror image;  
FIG. 2 is a top view thereof;  
FIG. 3 is a bottom plan view thereof;  
FIG. 4 is a right side elevation view thereof; and,  
FIG. 5 is left side view thereof.

[56] **References Cited**

**U.S. PATENT DOCUMENTS**

D. 294,170 2/1988 Kostanecki et al. .... D23/260  
D. 294,171 2/1988 Kostanecki et al. .... D23/260

**1 Claim, 5 Drawing Sheets**



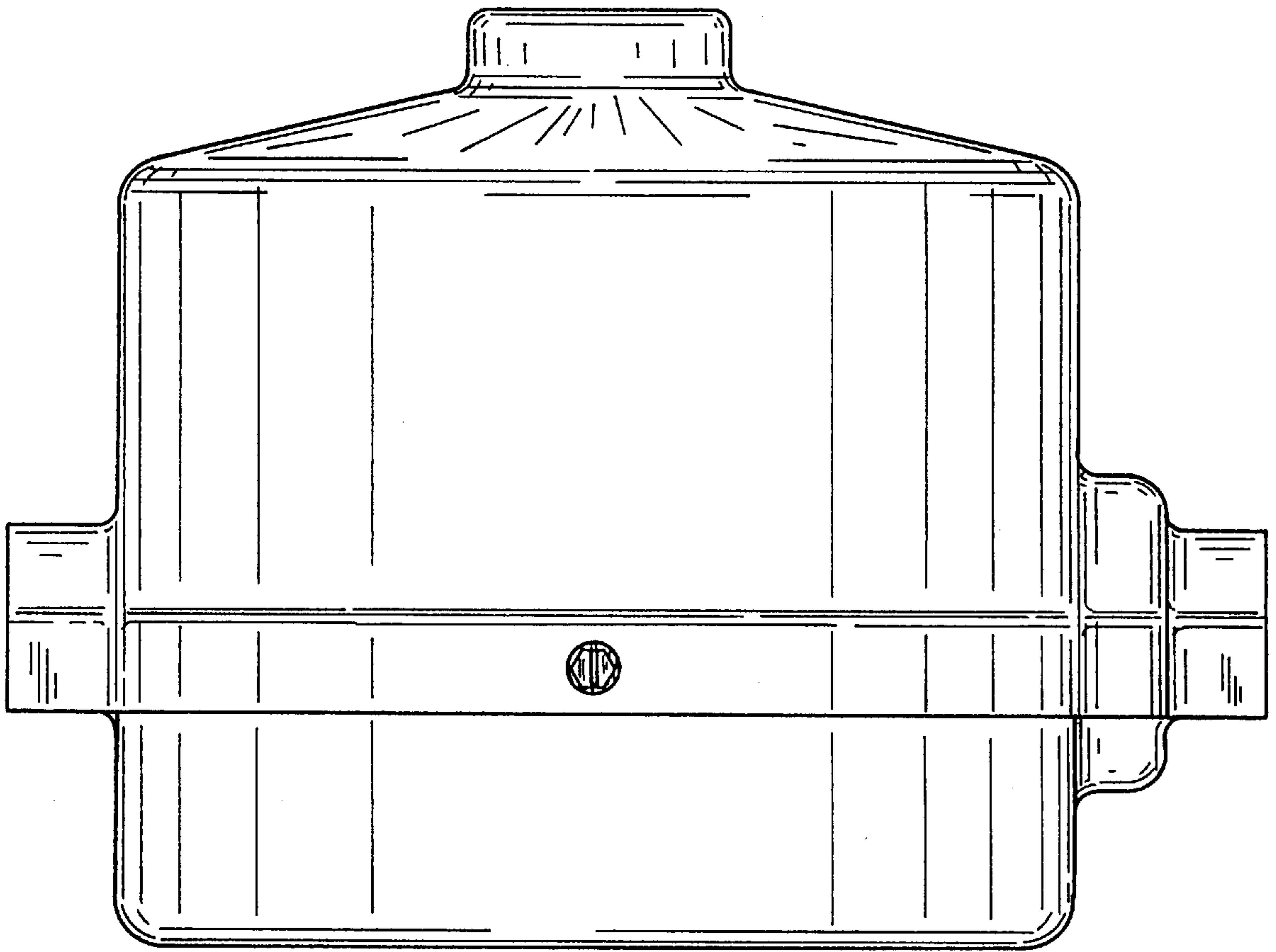
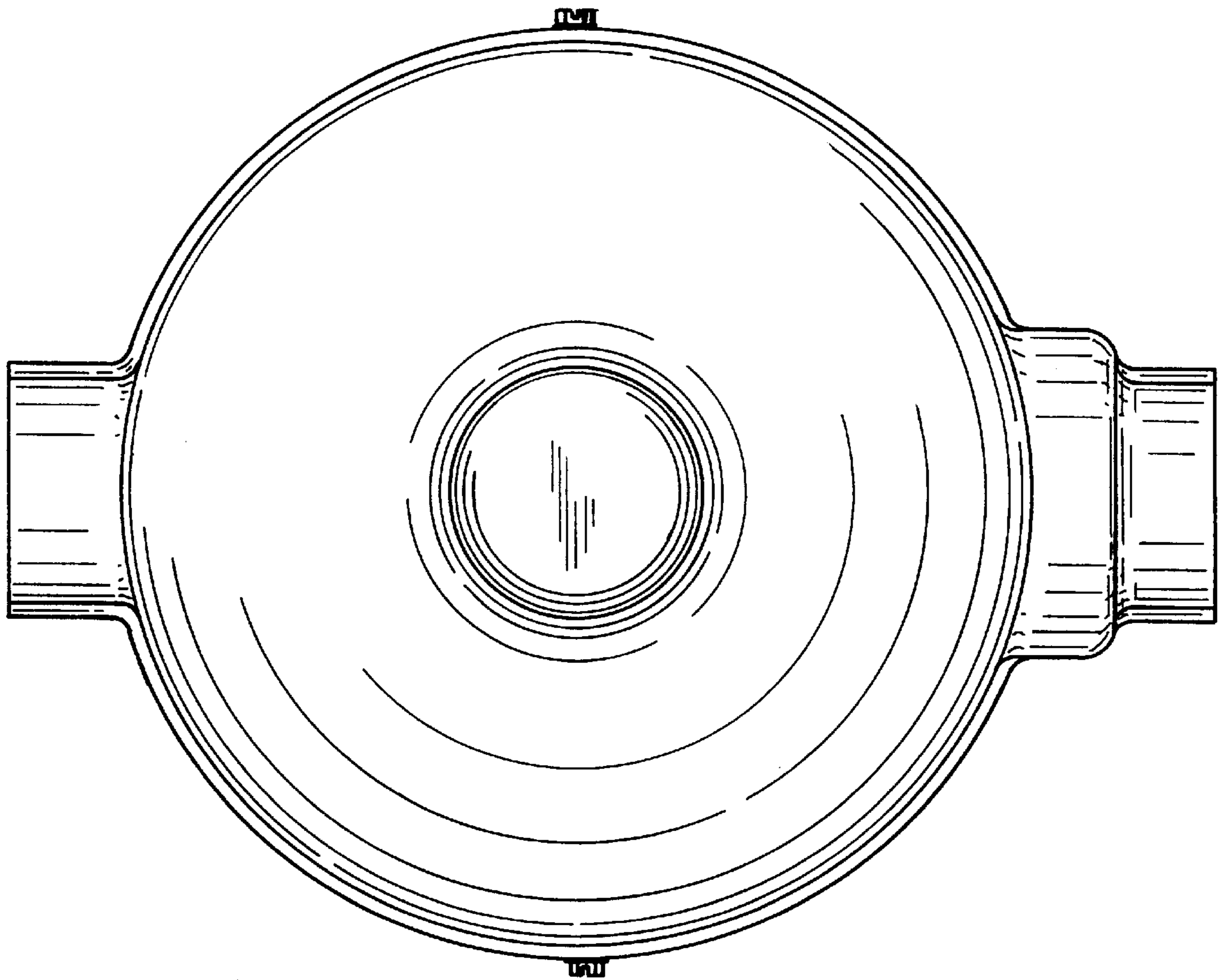
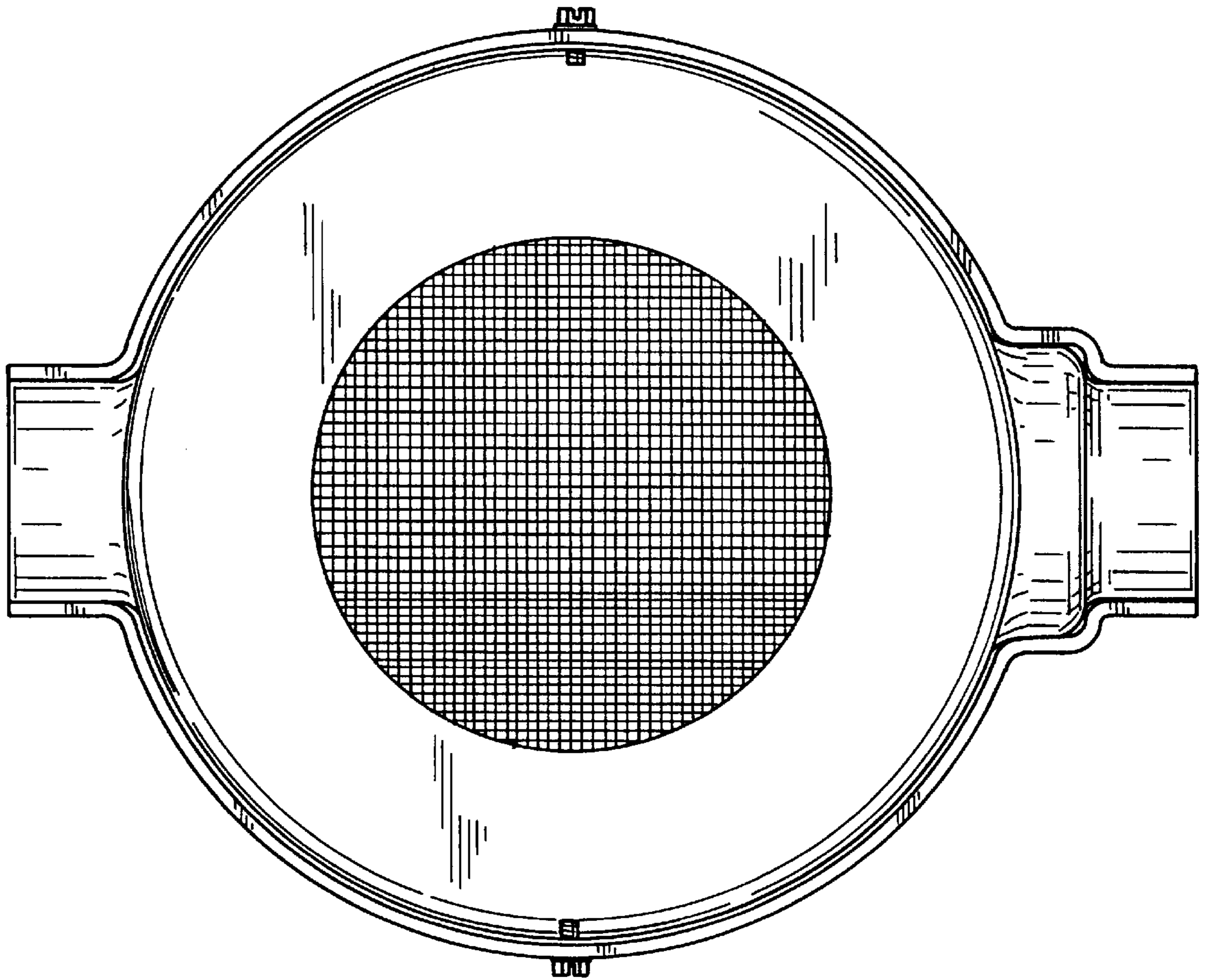


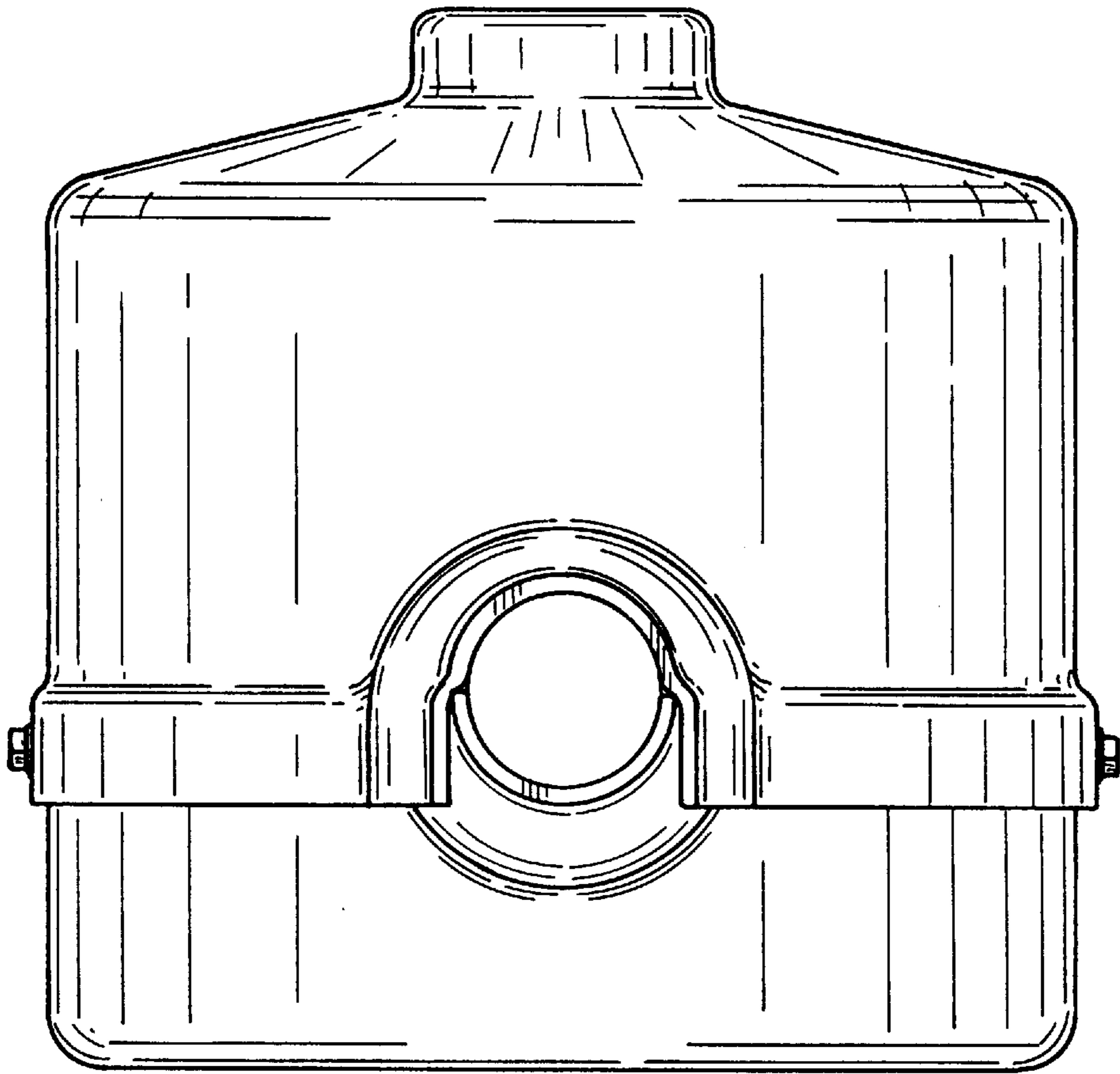
FIG. 1



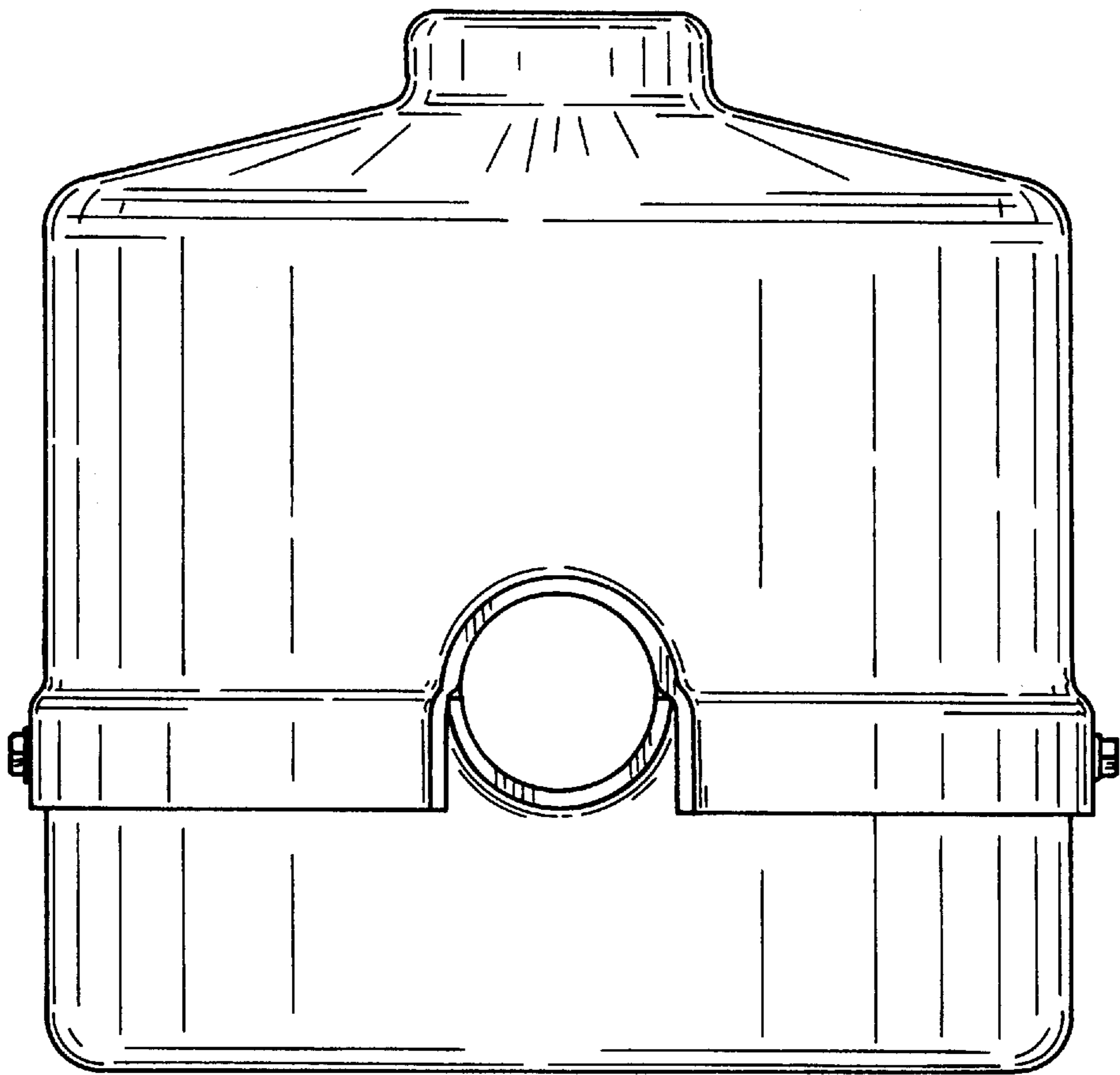
*FIG. 2*



*FIG. 3*



*FIG. 4*



*FIG. 5*