



US00D399295S

United States Patent [19]
Sorimachi

[11] **Patent Number: Des. 399,295**
[45] **Date of Patent: **Oct. 6, 1998**

[54] **OPENING AND CLOSING DEVICE FOR THE SEAT OR THE SEAT LID OF A TOILET BOWL**

D. 380,817 7/1997 Veal D23/309
5,592,703 1/1997 Jones et al. 4/667
5,661,858 9/1997 House et al. 4/667
5,664,286 9/1997 Sorimachi 4/246.2 X

[75] Inventor: **Akira Sorimachi**, Kanagawa, Japan

Primary Examiner—Louis S. Zarfaz
Assistant Examiner—Eric Watterson
Attorney, Agent, or Firm—Notaro & Michalos P.C.

[73] Assignee: **Katoh Electrical Machinery Co., Ltd.**, Kanagawa, Japan

[**] Term: **14 Years**

[57] **CLAIM**

[21] Appl. No.: **67,796**

The ornamental design for an opening and closing device for the seat or the seat lid of a toilet bowl, as shown and described.

[22] Filed: **Mar. 12, 1997**

[30] **Foreign Application Priority Data**

DESCRIPTION

Sep. 17, 1996 [JP] Japan 8 27680

FIG. 1 is a front elevational view of an opening and closing device for the seat or the seat lid of a toilet bowl, illustrating my new design therefor, the rear elevational view being an identical mirror image of FIG. 1;
FIG. 2 is a top plan view thereof;
FIG. 3 is a bottom plan view thereof;
FIG. 4 is a right side elevational view thereof;
FIG. 5 is a left side elevational view thereof; and,
FIG. 6 is a perspective view thereof.

[51] **LOC (6) Cl.** **23-02**

[52] **U.S. Cl.** **D23/303**

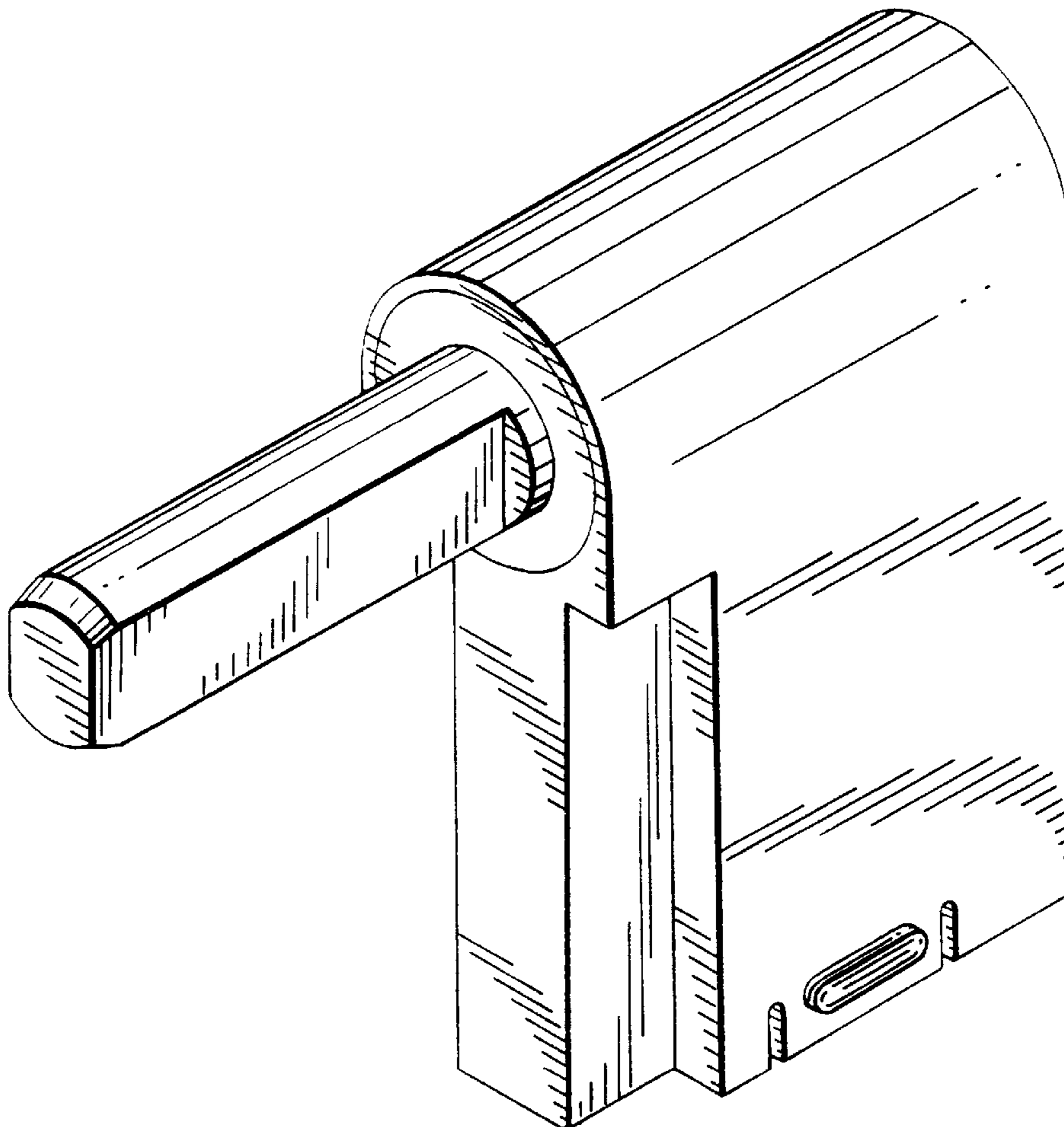
[58] **Field of Search** D23/233-237,
D23/244-249, 295, 301; 4/305, 249, 313,
406, DIG. 3; 251/40, 129.03

[56] **References Cited**

U.S. PATENT DOCUMENTS

D. 352,101 11/1994 Veal D23/309

1 Claim, 3 Drawing Sheets



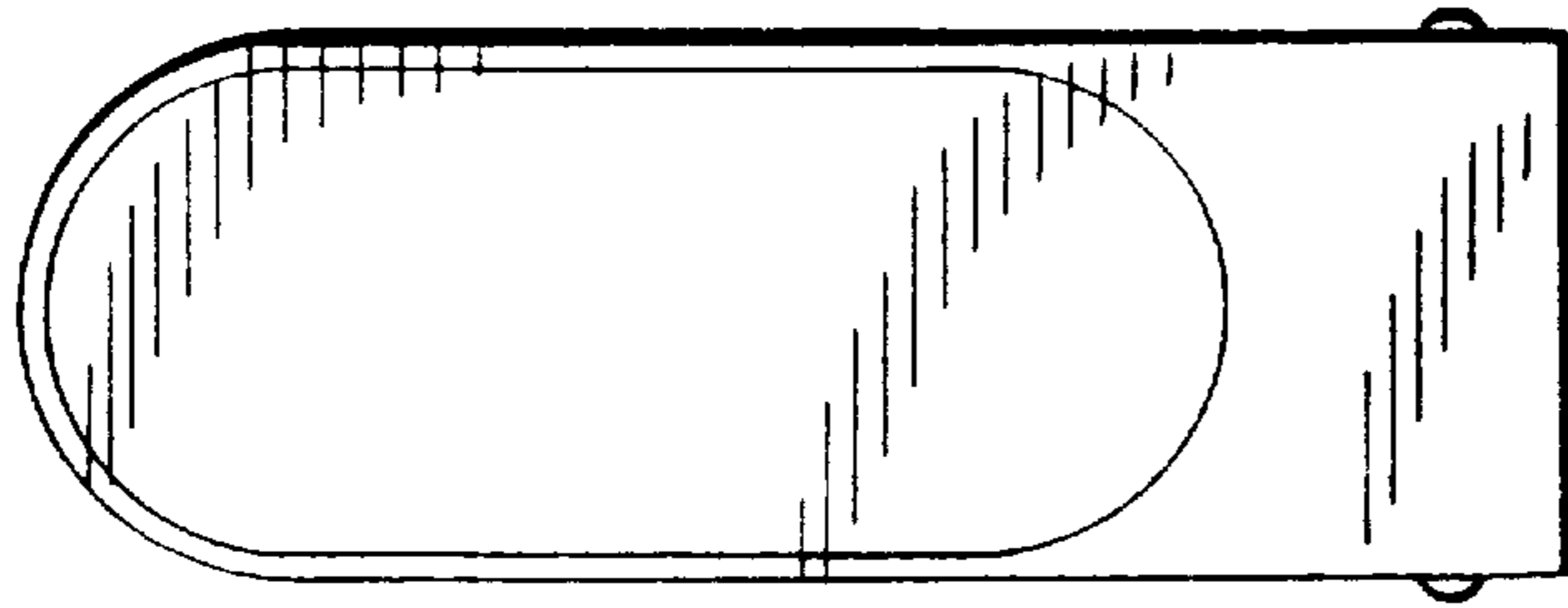


FIG. 4

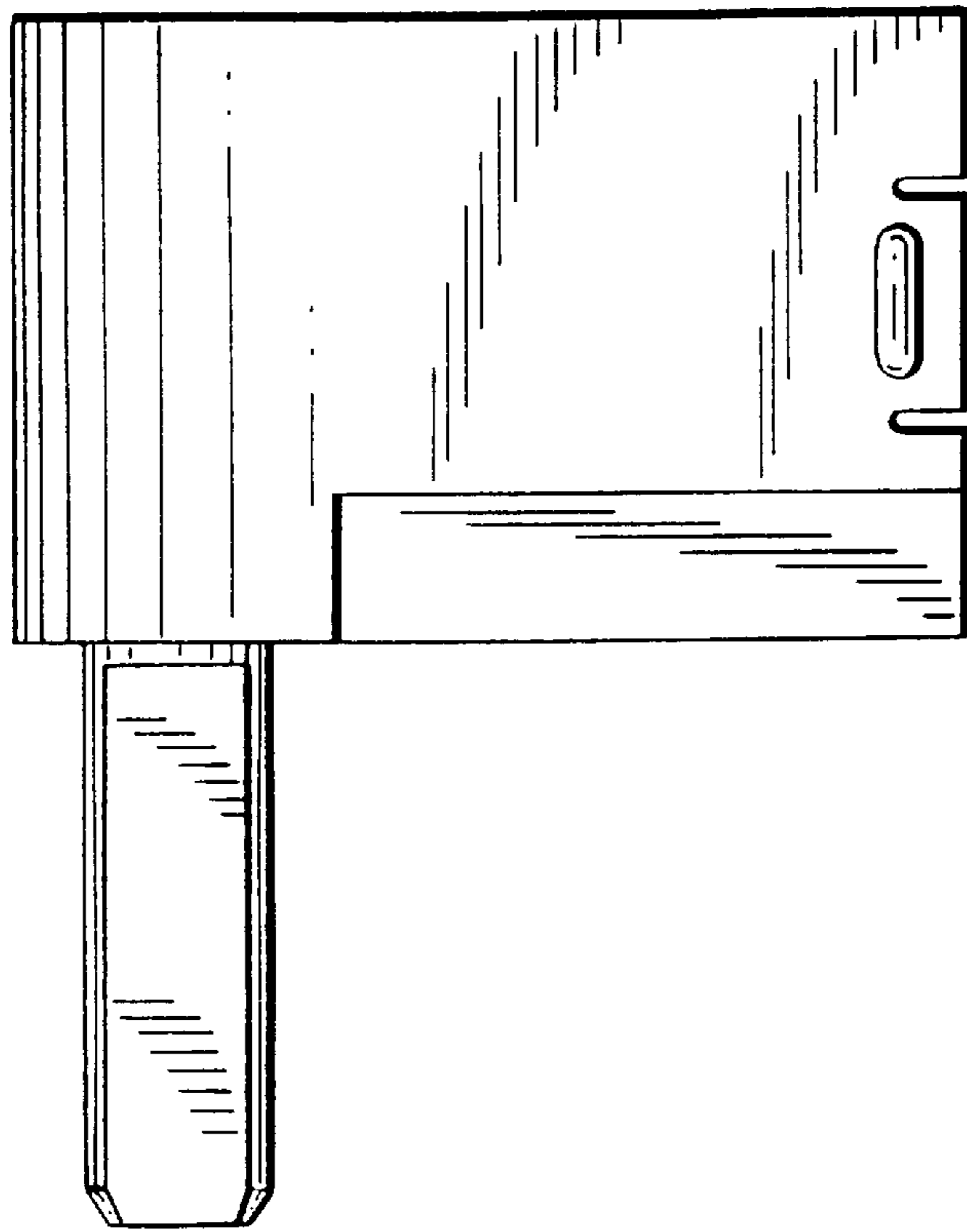


FIG. 1

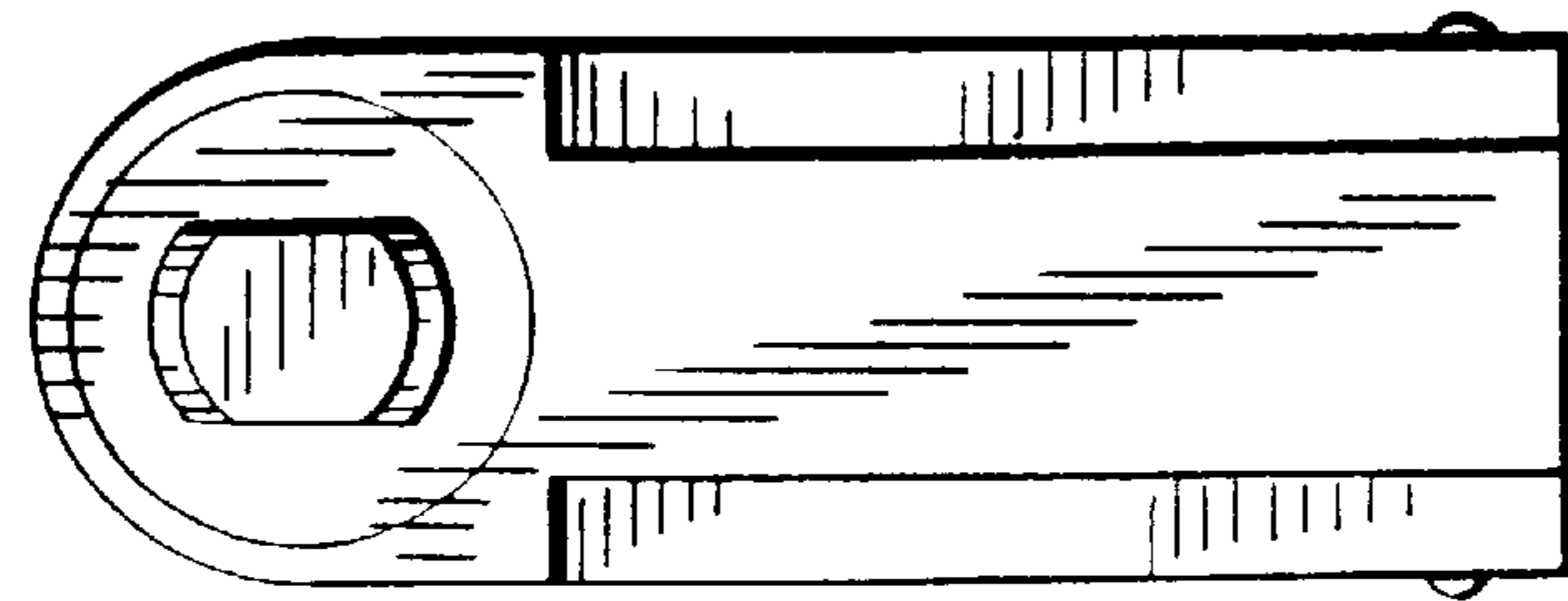


FIG. 5

FIG. 2

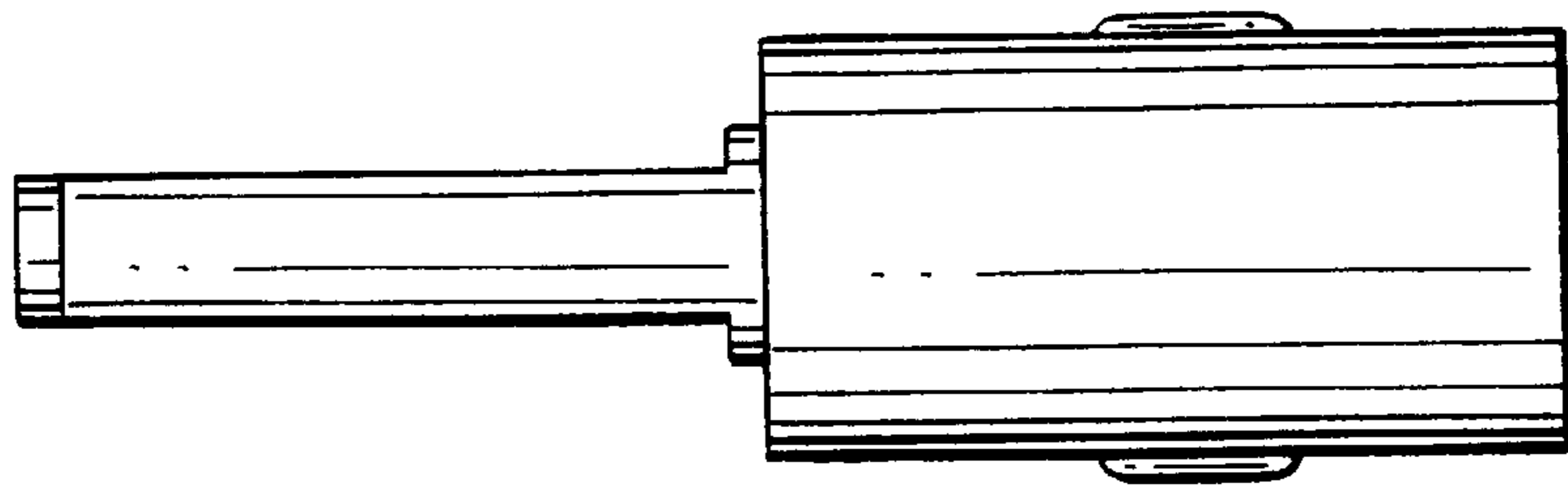
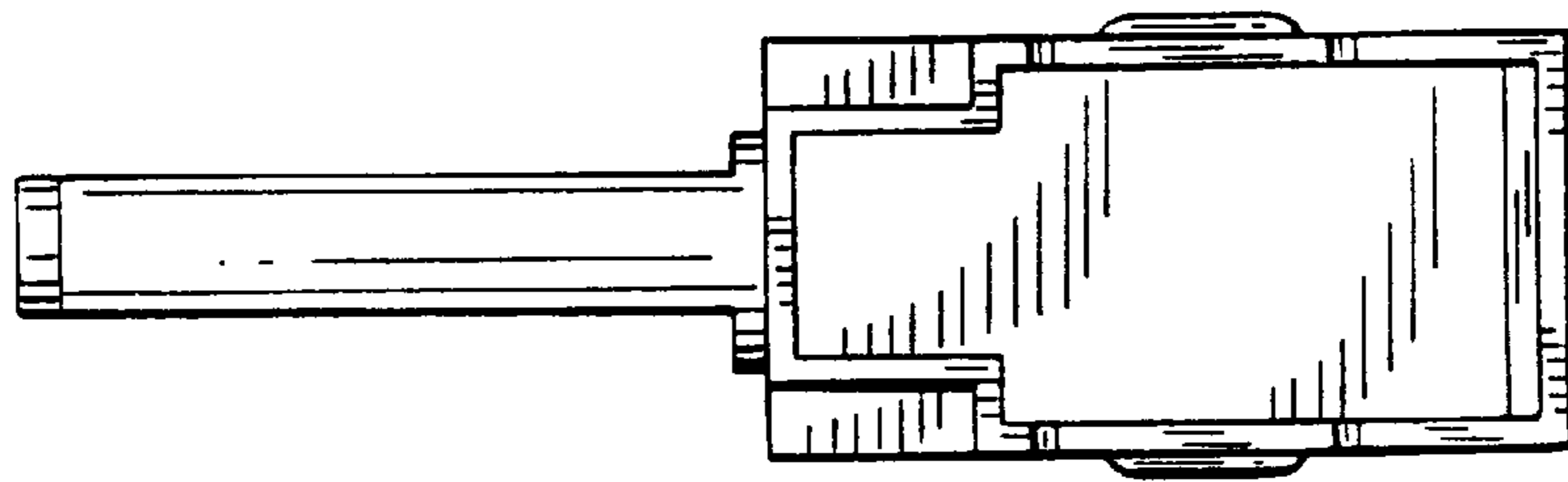


FIG. 3



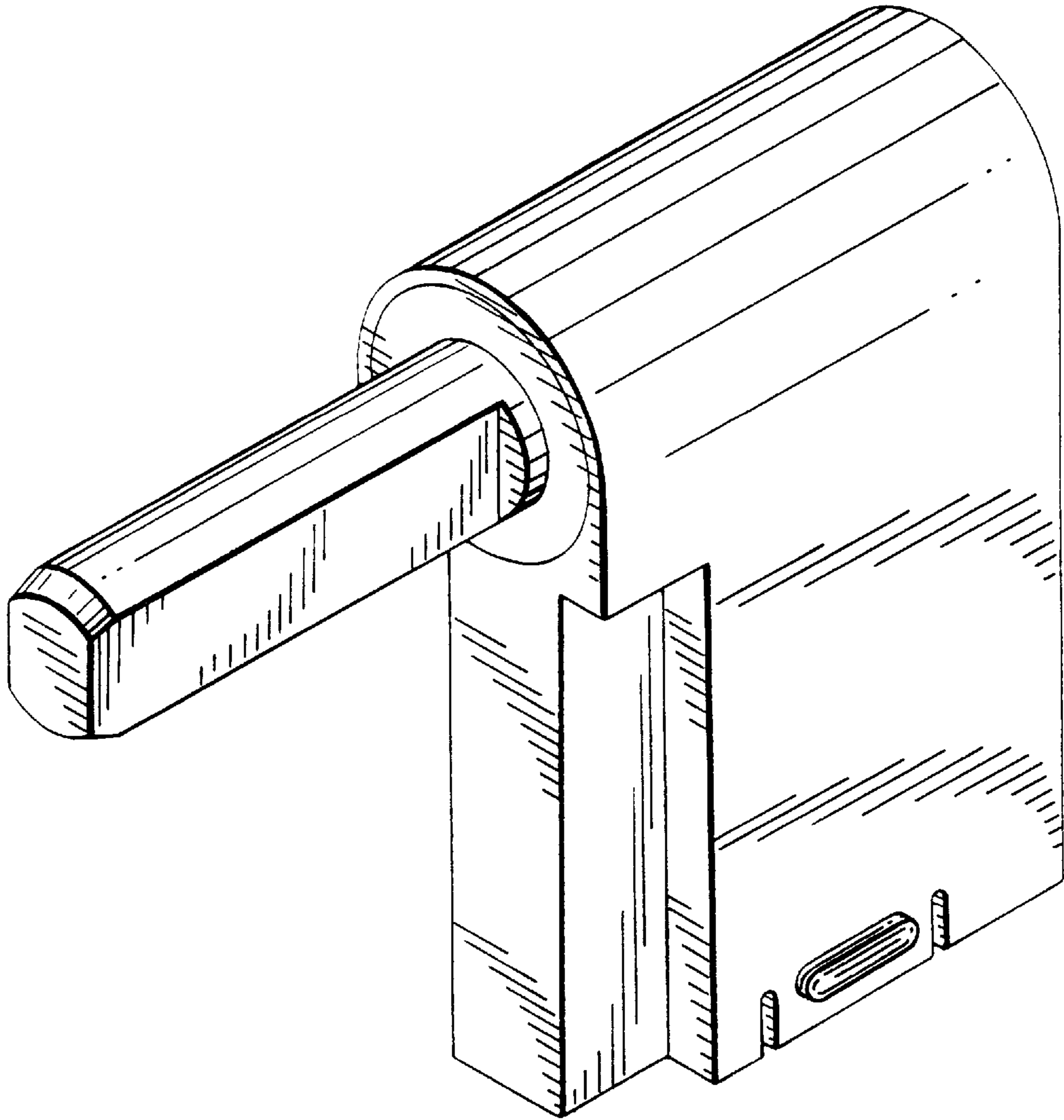


FIG. 6