



US00D399294S

United States Patent [19]

[11] Patent Number: Des. 399,294

Kawamura et al.

[45] Date of Patent: **Oct. 6, 1998

[54] WATER CLOSET

[75] Inventors: **Sejiro Kawamura**, Kitakyushi;
Minoru Tani; **Hisayasu Sakai**, both of
Kitakyushu, all of Japan

[73] Assignee: **TOTO Ltd.**, Kitakyushu, Japan

[**] Term: **14 Years**

[21] Appl. No.: **68,635**

[22] Filed: **Mar. 17, 1997**

Related U.S. Application Data

[63] Continuation of Ser. No. 41,751, Jul. 24, 1995, Pat. No. Des. 379,496.

[51] **LOC (6) Cl.** **23-02**

[52] **U.S. Cl.** **D23/301**

[58] **Field of Search** D23/295, 298,
D23/299, 300, 301; 4/353, 421, 424, 428,
430, 300, 664, DIG. 2

[56] References Cited

U.S. PATENT DOCUMENTS

- D. 185,643 7/1959 Magid .
- D. 268,780 4/1983 Doman et al. .
- D. 271,326 11/1983 Doman et al. .
- D. 275,514 9/1984 Enthoven .
- D. 275,598 9/1984 Stairs, Jr. .
- D. 310,407 9/1990 Stairs, Jr. .
- D. 345,597 3/1994 Kohler, Jr. et al. .
- D. 346,854 5/1994 Reid D23/301
- D. 352,996 11/1994 Sim .
- D. 353,450 12/1994 Anderson et al. .
- D. 373,818 9/1996 Sawater et al. D23/301
- 2,558,680 6/1951 Groff .

Primary Examiner—Louis S. Zarfes
Assistant Examiner—Eric Watterson
Attorney, Agent, or Firm—Finnegan, Henderson, Farabow,
Garrett & Dunner, L.L.P.

[57] CLAIM

The ornamental design for a water closet, as shown and described.

DESCRIPTION

FIG. 1 is a front elevational view of a water closet embodying our design;
 FIG. 2 is a top plan view thereof;
 FIG. 3 is a rear elevational view thereof;
 FIG. 4 is a bottom plan view thereof;
 FIG. 5 is a left elevational view thereof;
 FIG. 6 is a right elevational view thereof;
 FIG. 7 is a cross-sectional view thereof taken along line 7—7 in FIG. 1;
 FIG. 8 is a right front perspective view thereof;
 FIG. 9 is a left rear perspective view thereof;
 FIG. 10 is a front elevation view of a second embodiment thereof;
 FIG. 11 is a top plan view of the second embodiment;
 FIG. 12 is a rear elevational view of the second embodiment;
 FIG. 13 is a bottom plan view of the second embodiment;
 FIG. 14 is a left elevational view of the second embodiment;
 FIG. 15 is a right elevational view of the second embodiment;
 FIG. 16 is a cross-sectional view of the second embodiment taken long line 16—16 of FIG. 10;
 FIG. 17 is a right front perspective view of the second embodiment;
 FIG. 18 is a left rear perspective view of the second embodiment;
 FIG. 19 is a front elevational view of a third embodiment thereof;
 FIG. 20 is a top plan view of the third embodiment;
 FIG. 21 is a rear elevational view of the third embodiment;
 FIG. 22 is a bottom plan view of the third embodiment;
 FIG. 23 is a left elevational view of the third embodiment;
 FIG. 24 is a right elevational view of the third embodiment;
 FIG. 25 is a cross-sectional view of the third embodiment taken along line 16—16 in FIG. 19;
 FIG. 26 is a right front perspective view of the third embodiment;
 FIG. 27 is a left perspective view of the third embodiment;
 FIG. 28 is a front elevation view of a fourth embodiment thereof;
 FIG. 29 is a top plan view of the fourth embodiment;

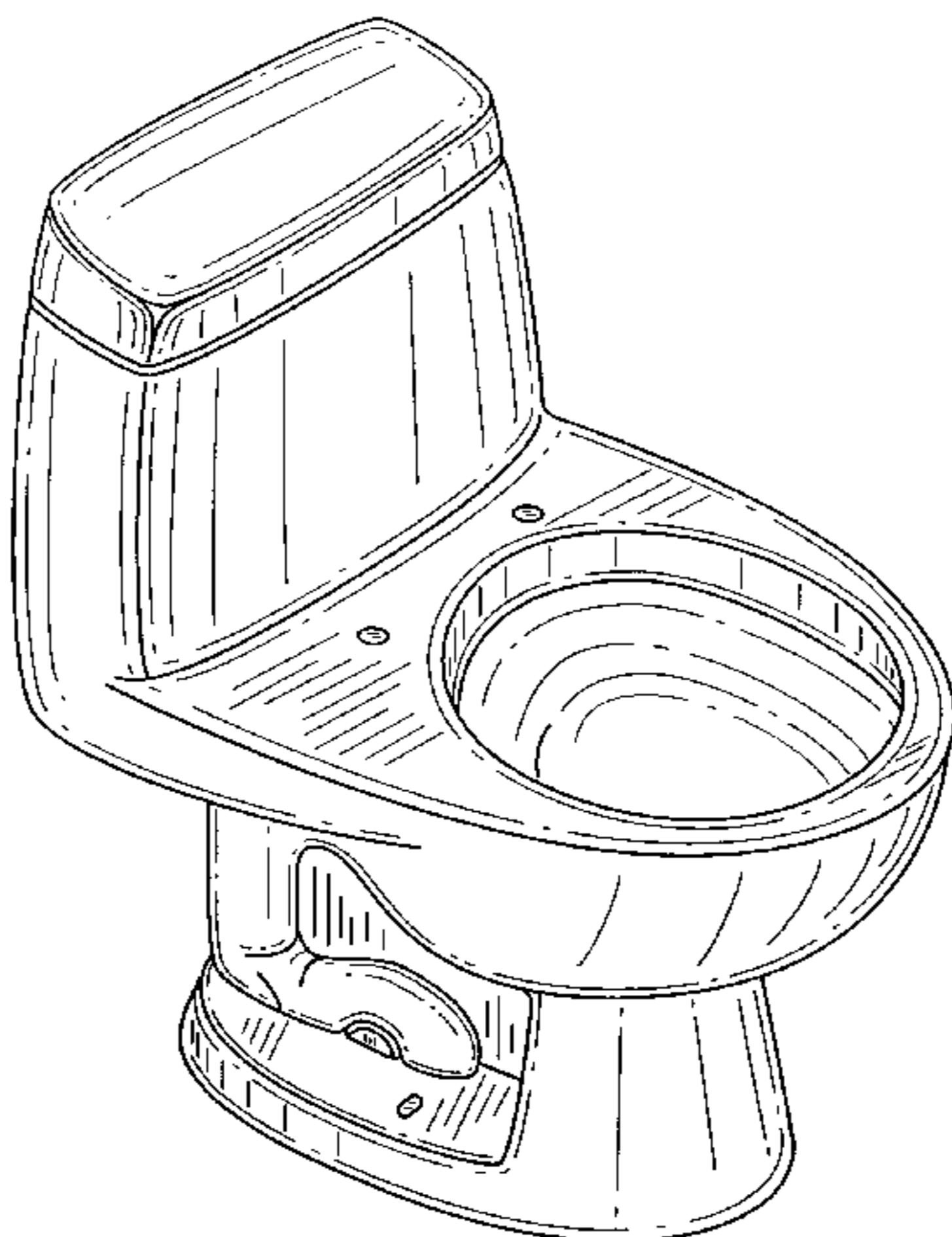


FIG. 30 is a rear elevational view of the fourth embodiment;
FIG. 31 is a bottom plan view of the fourth embodiment;
FIG. 32 is a left elevational view of the fourth embodiment;
FIG. 33 is a right elevational view of the fourth embodiment;
FIG. 34 is a cross-sectional view of the fourth embodiment
taken long line 34—34 of FIG. 28;

FIG. 35 is a right front perspective view of the fourth
embodiment; and,
FIG. 36 is a left rear perspective view of the fourth embodi-
ment.

1 Claim, 20 Drawing Sheets

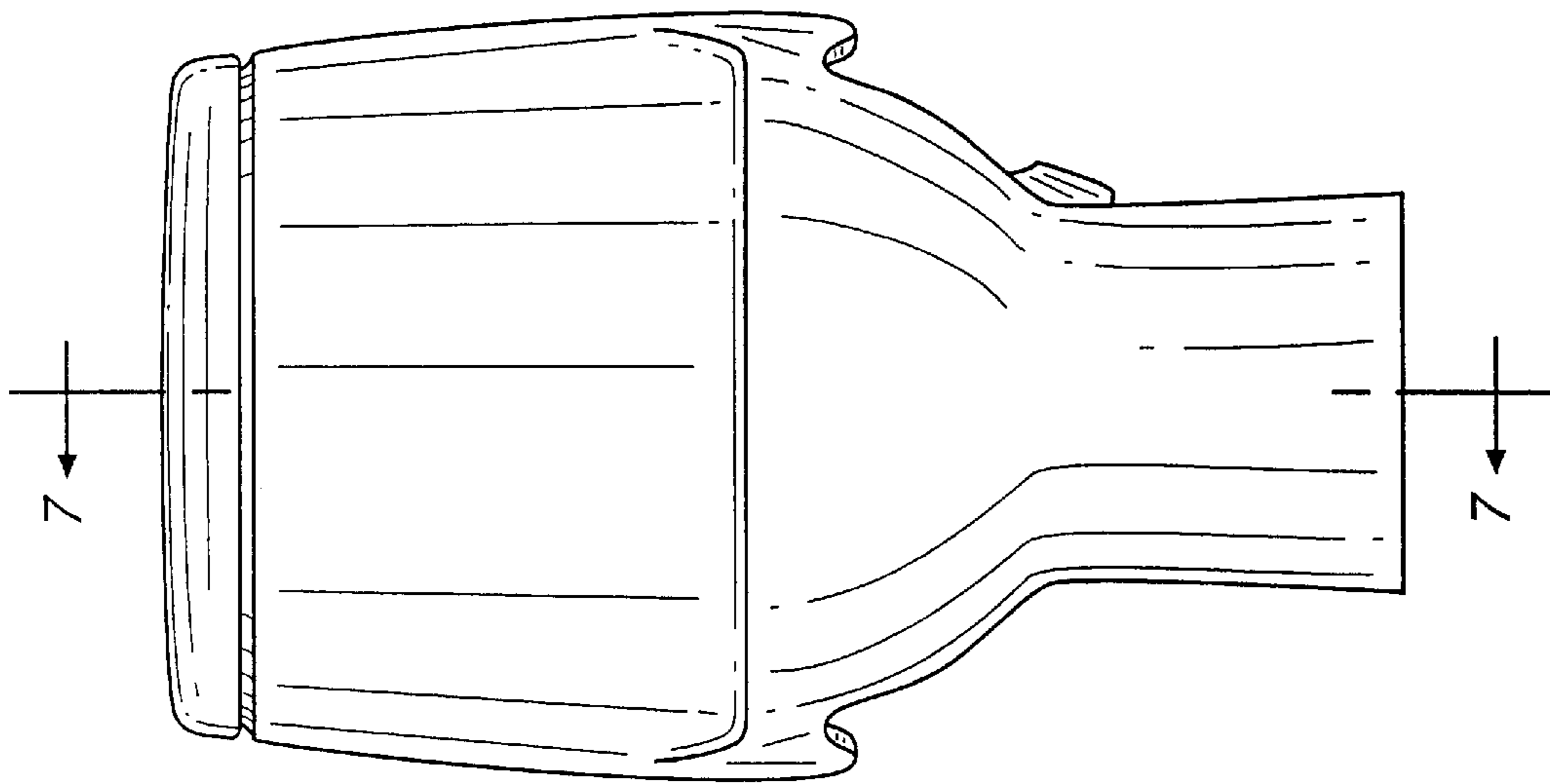


FIG. 1

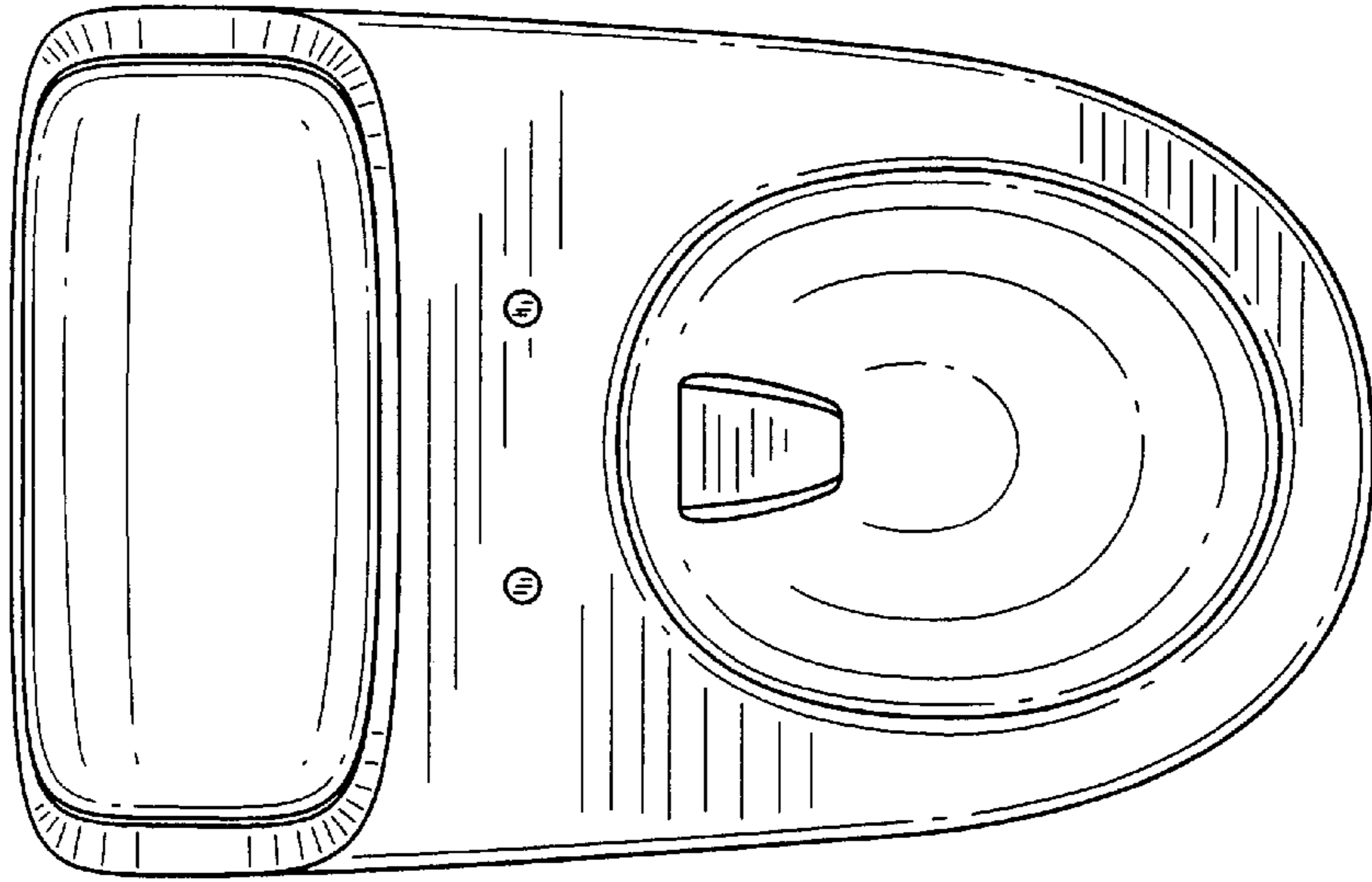


FIG. 2

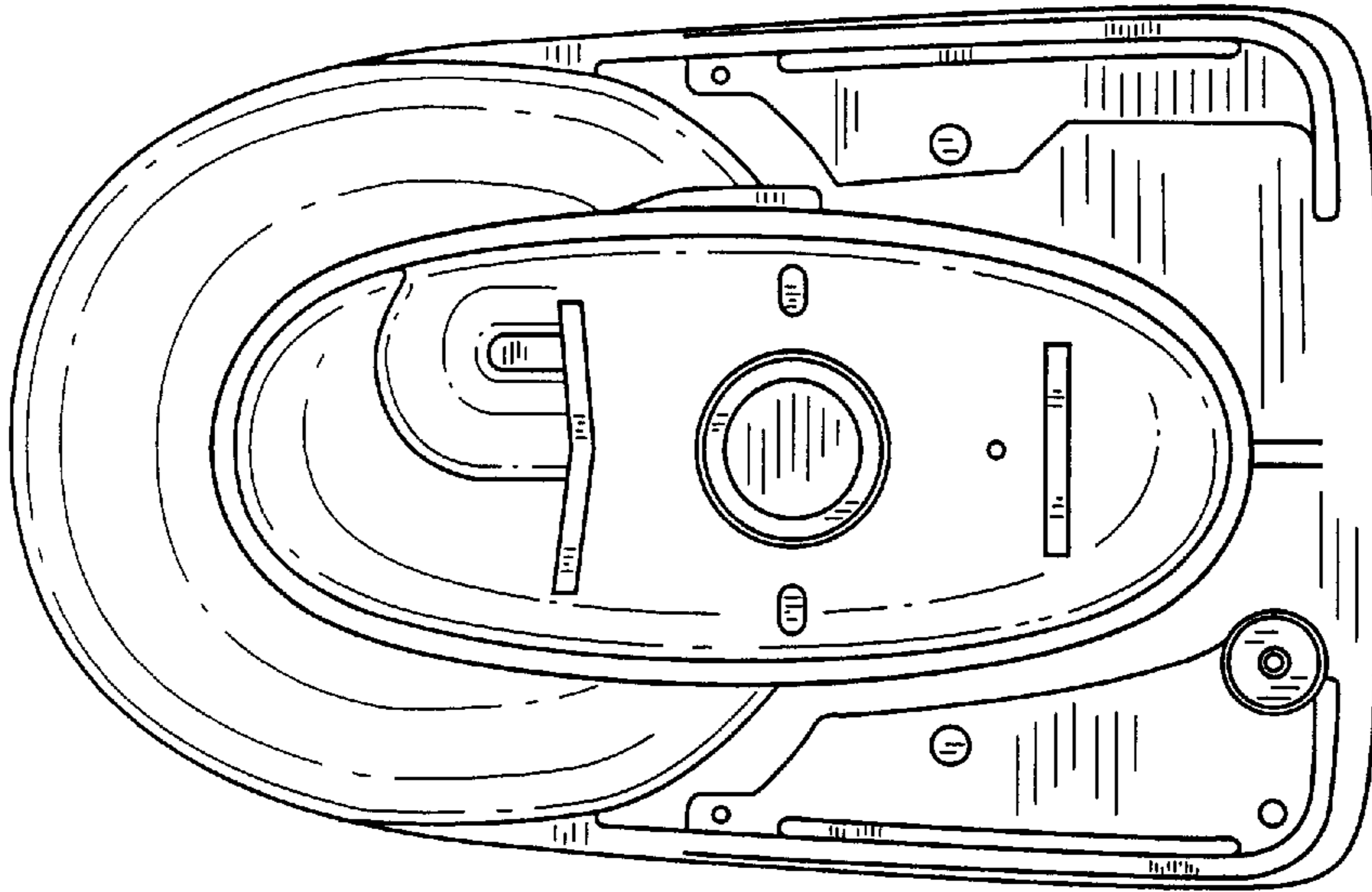


FIG. 4

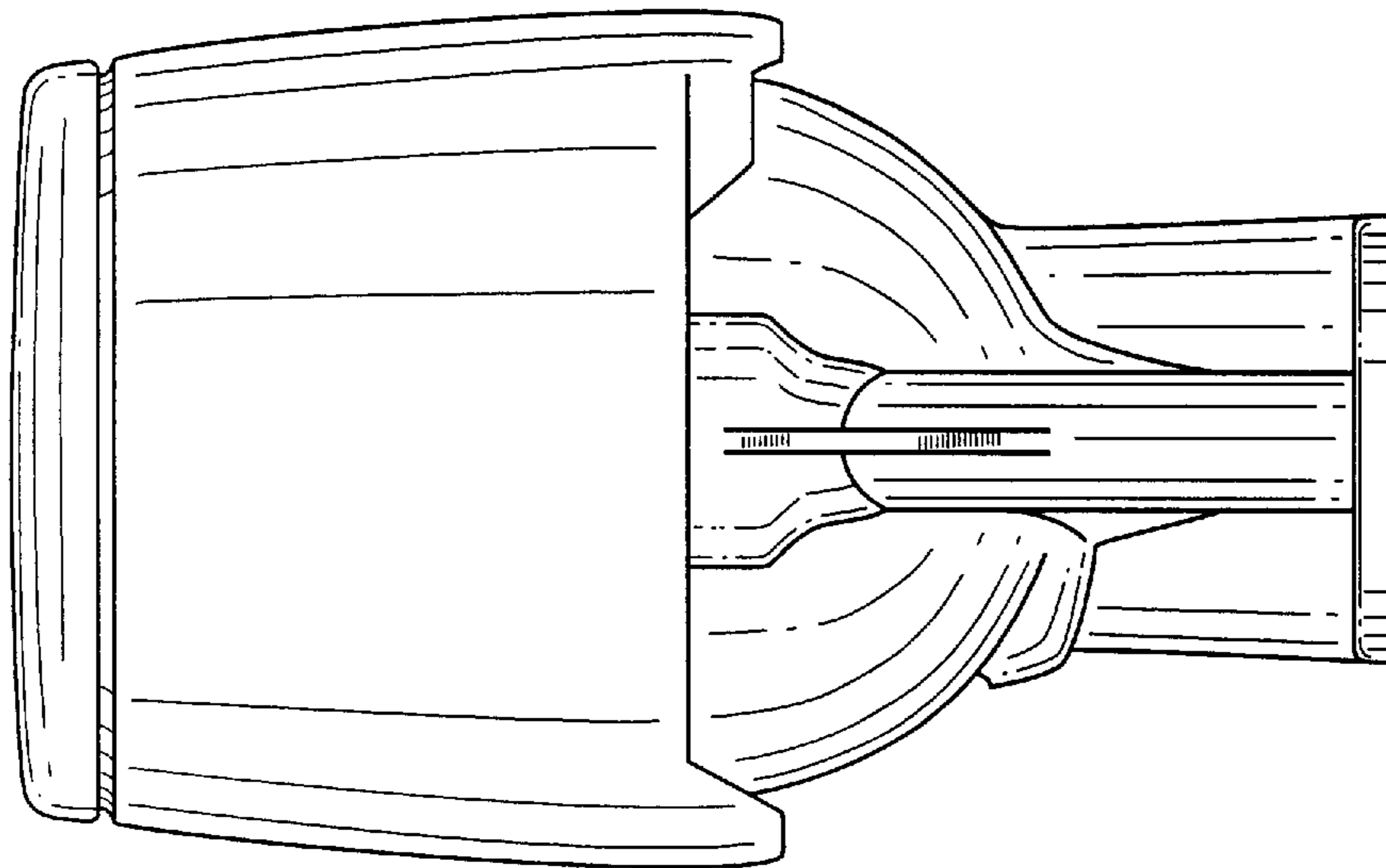


FIG. 3

FIG. 5

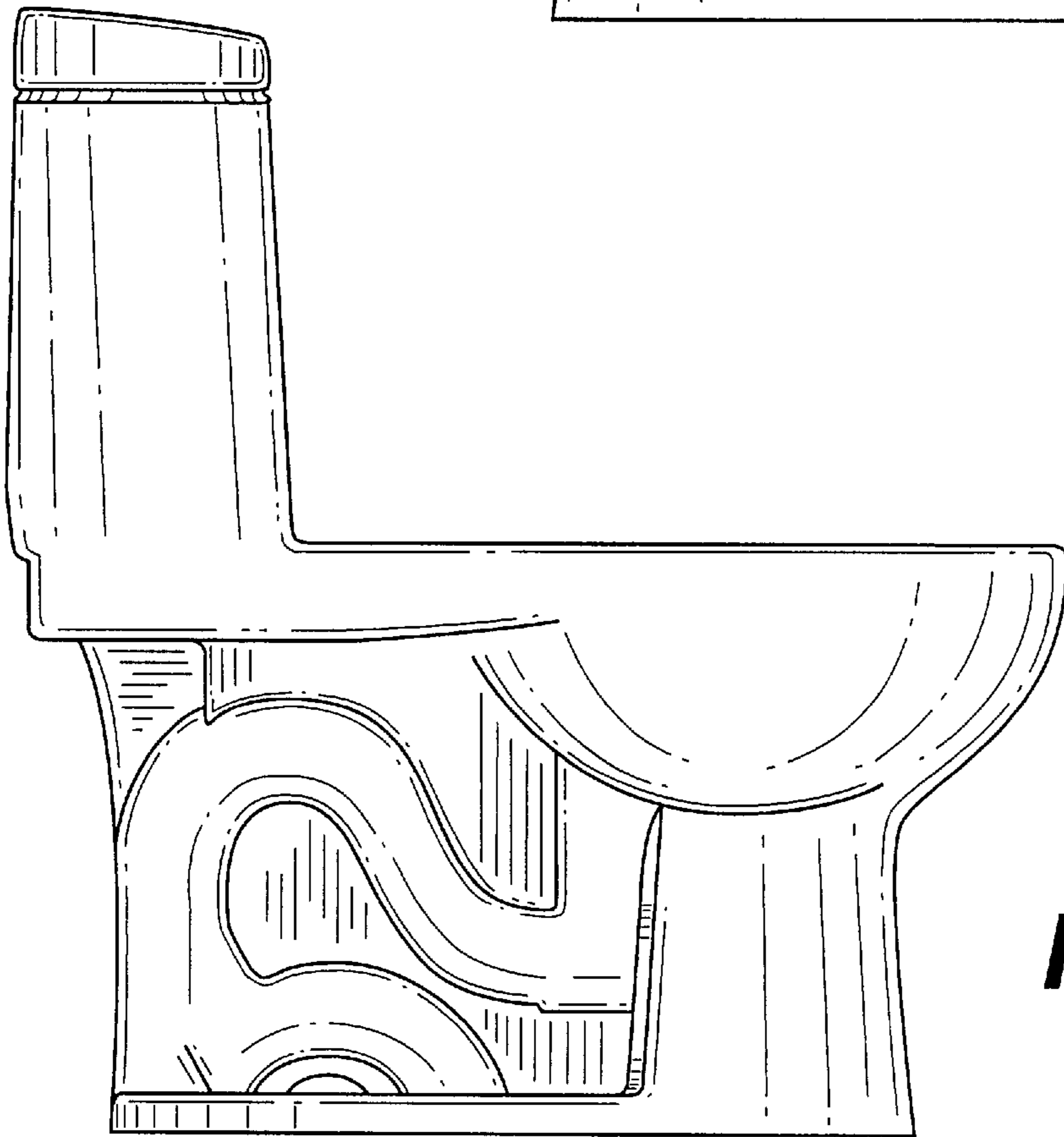
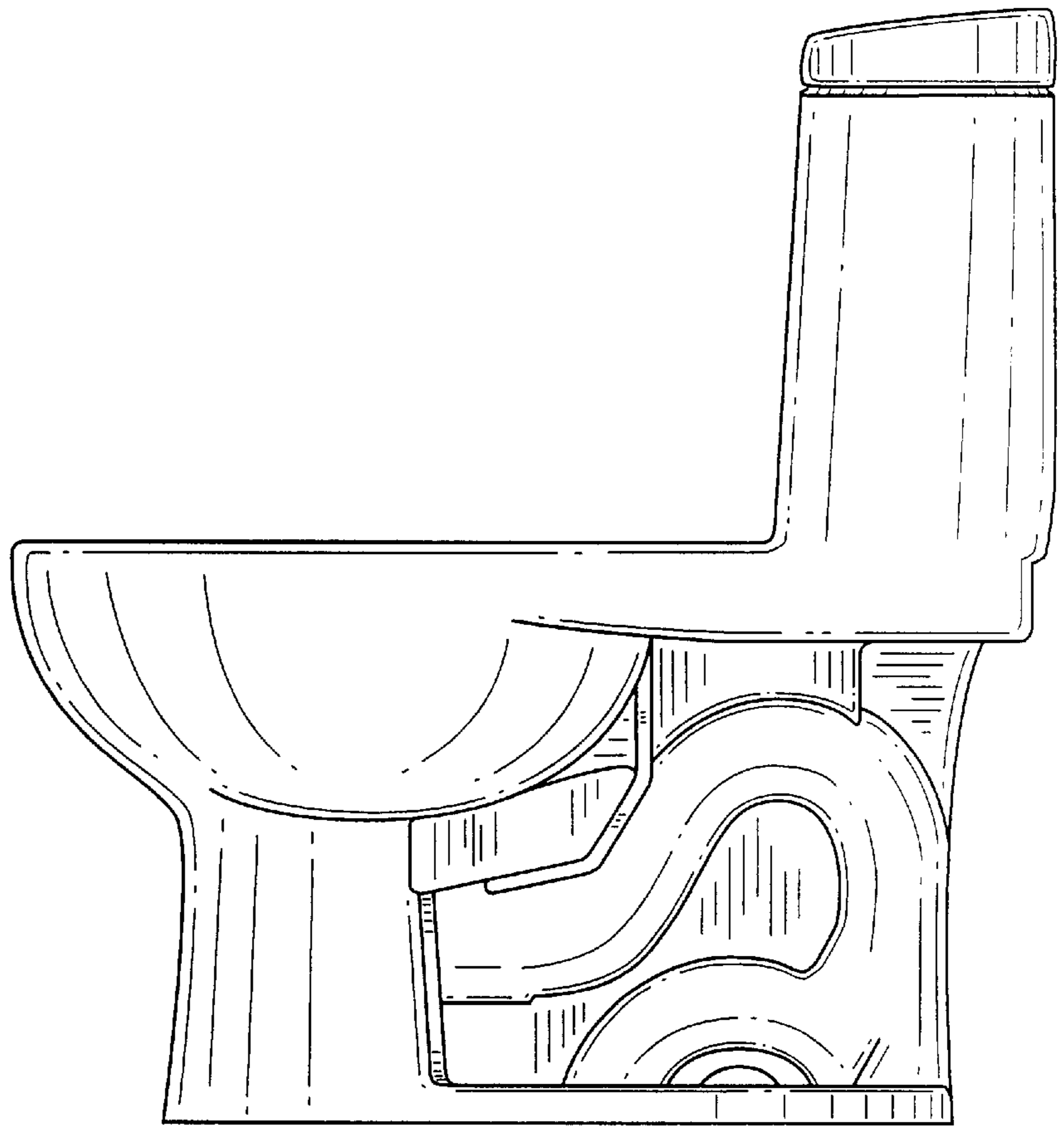


FIG. 6

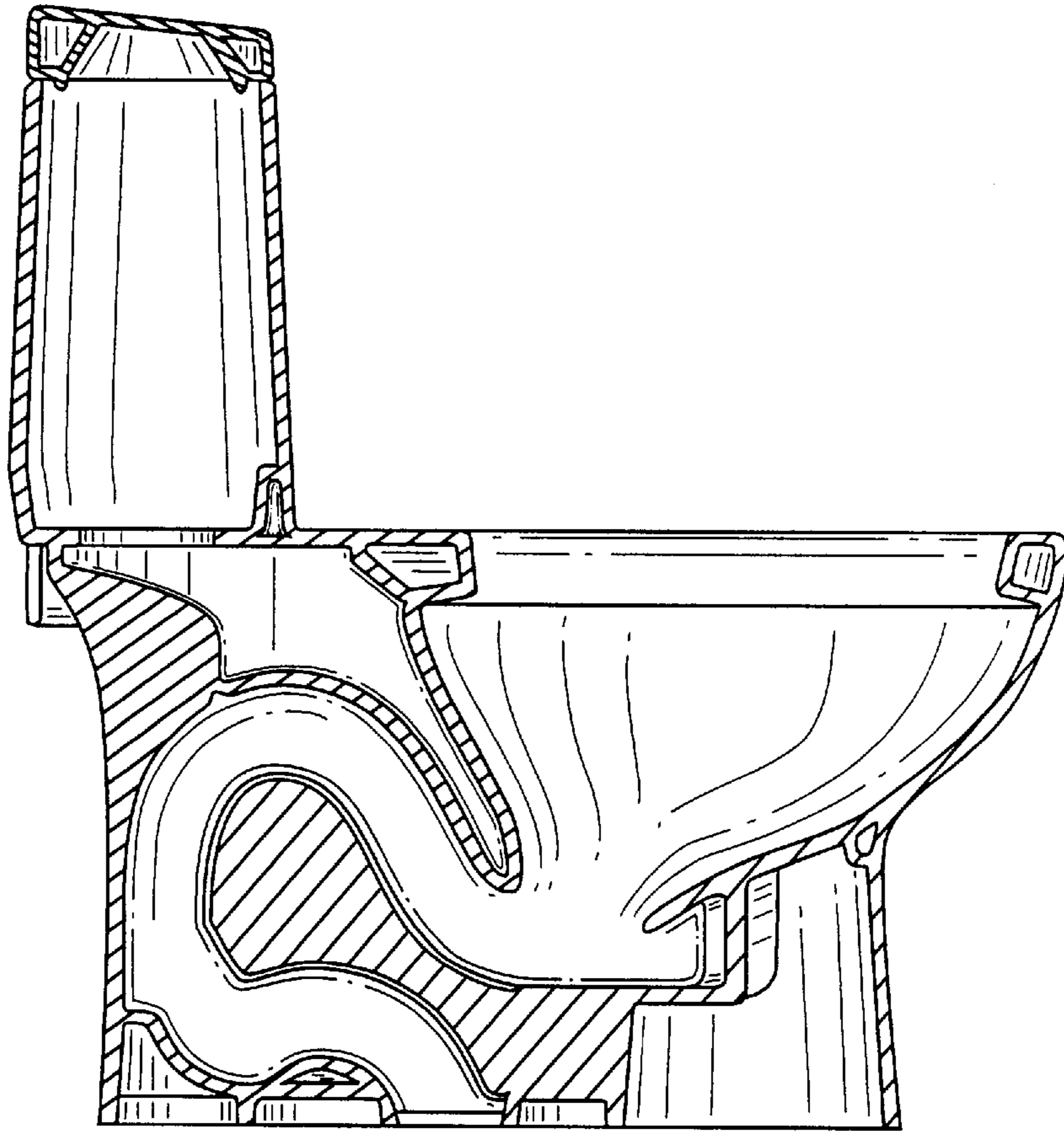


FIG. 7

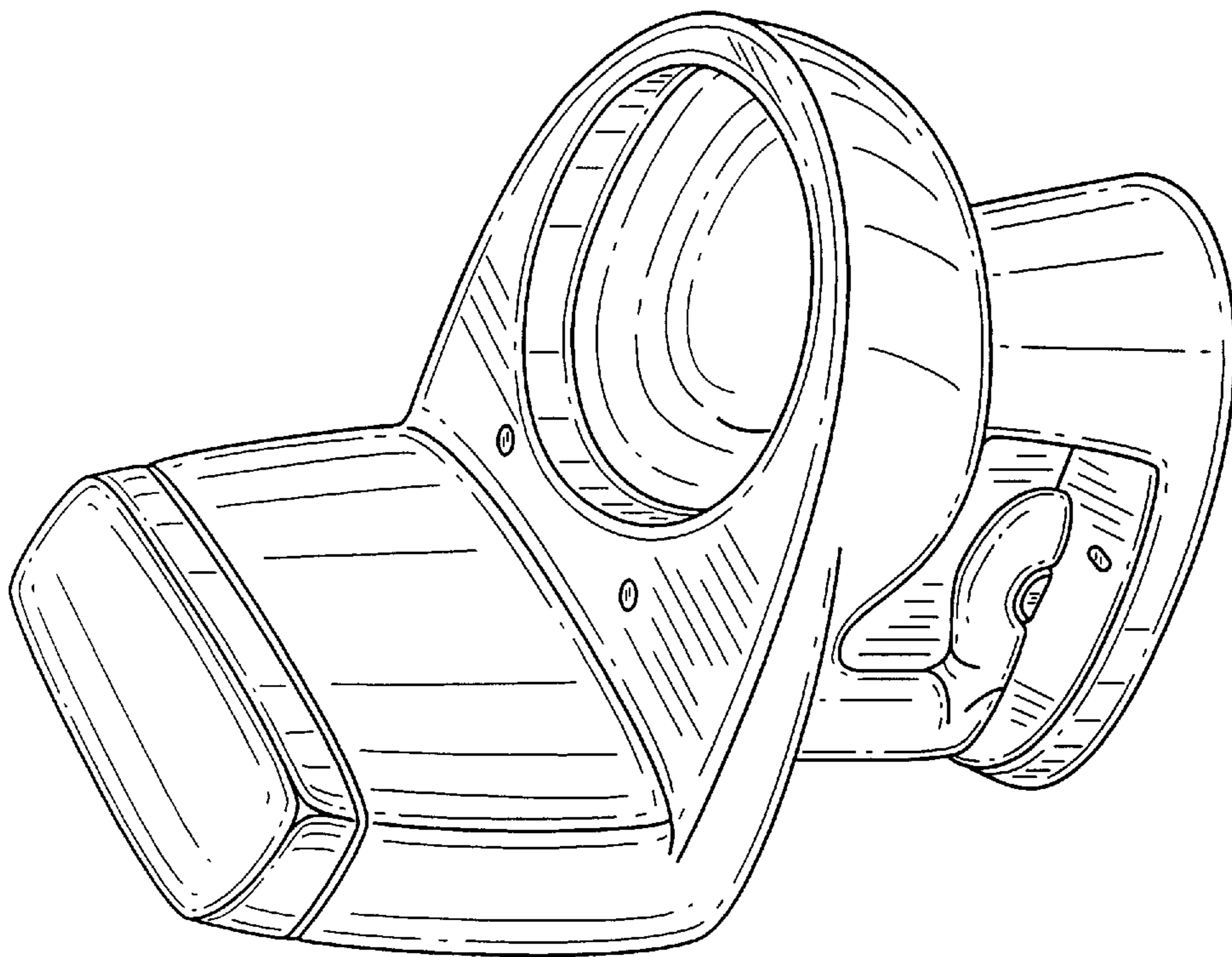


FIG. 8

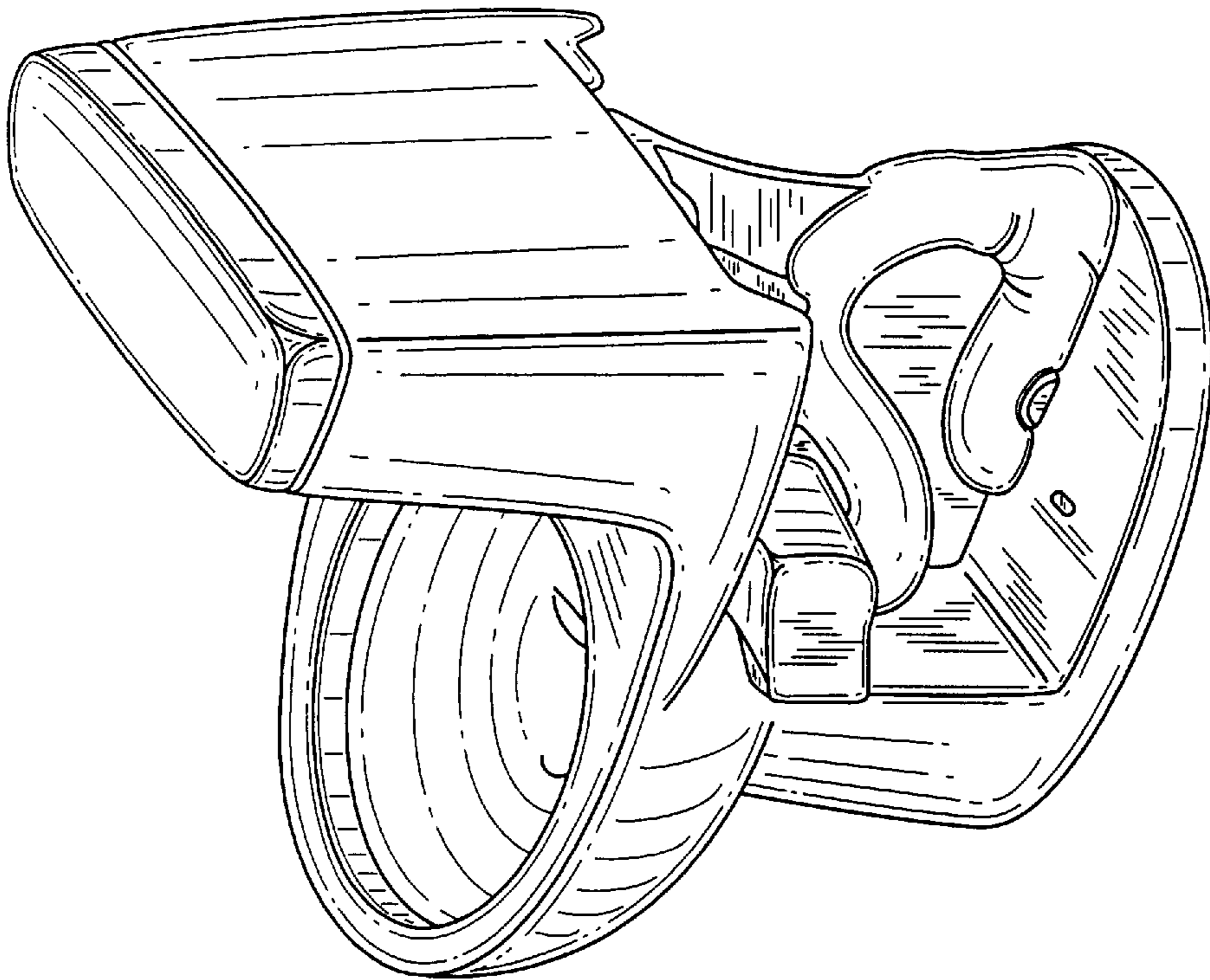


FIG. 9

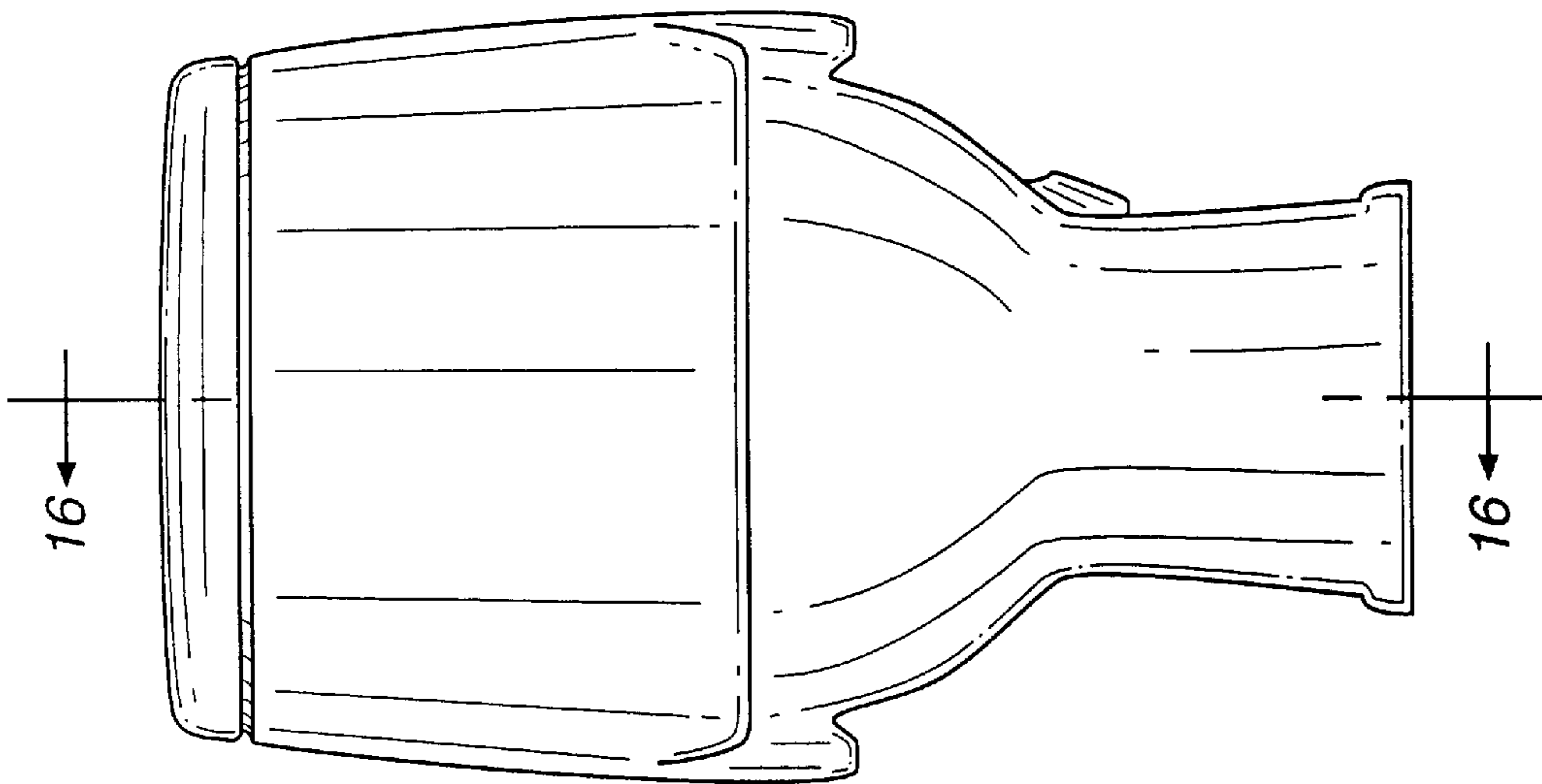


FIG. 10

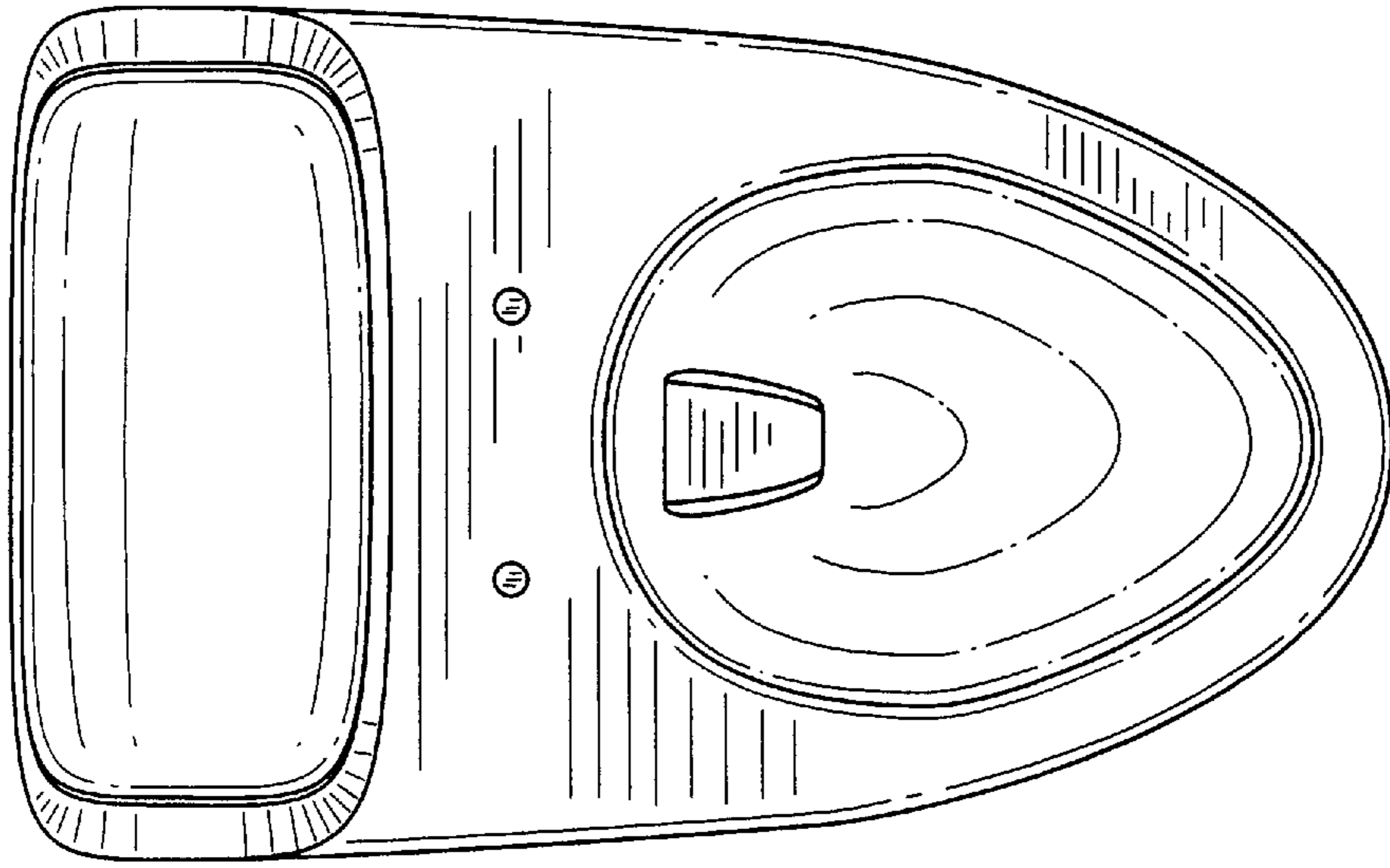


FIG. 11

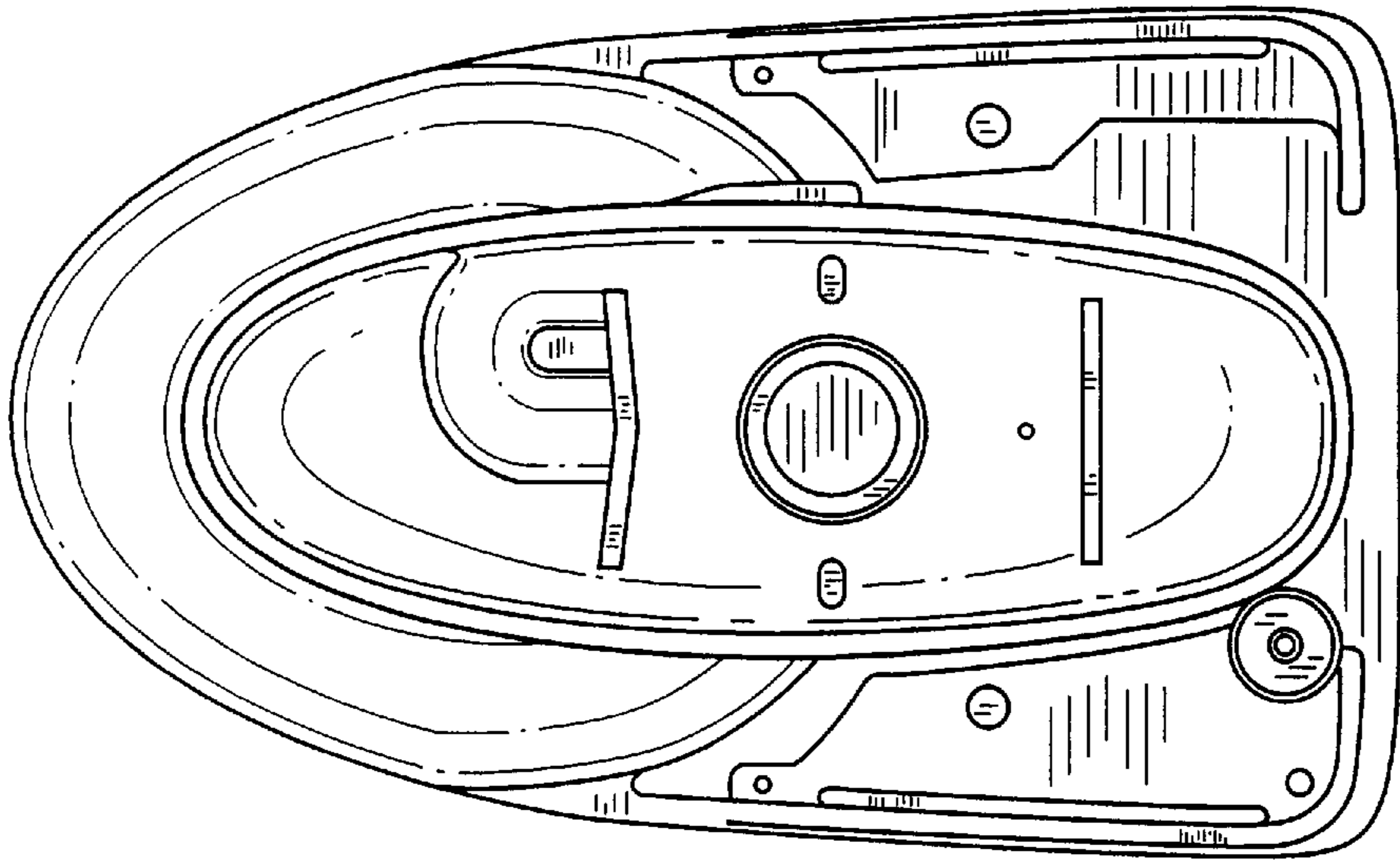


FIG. 13

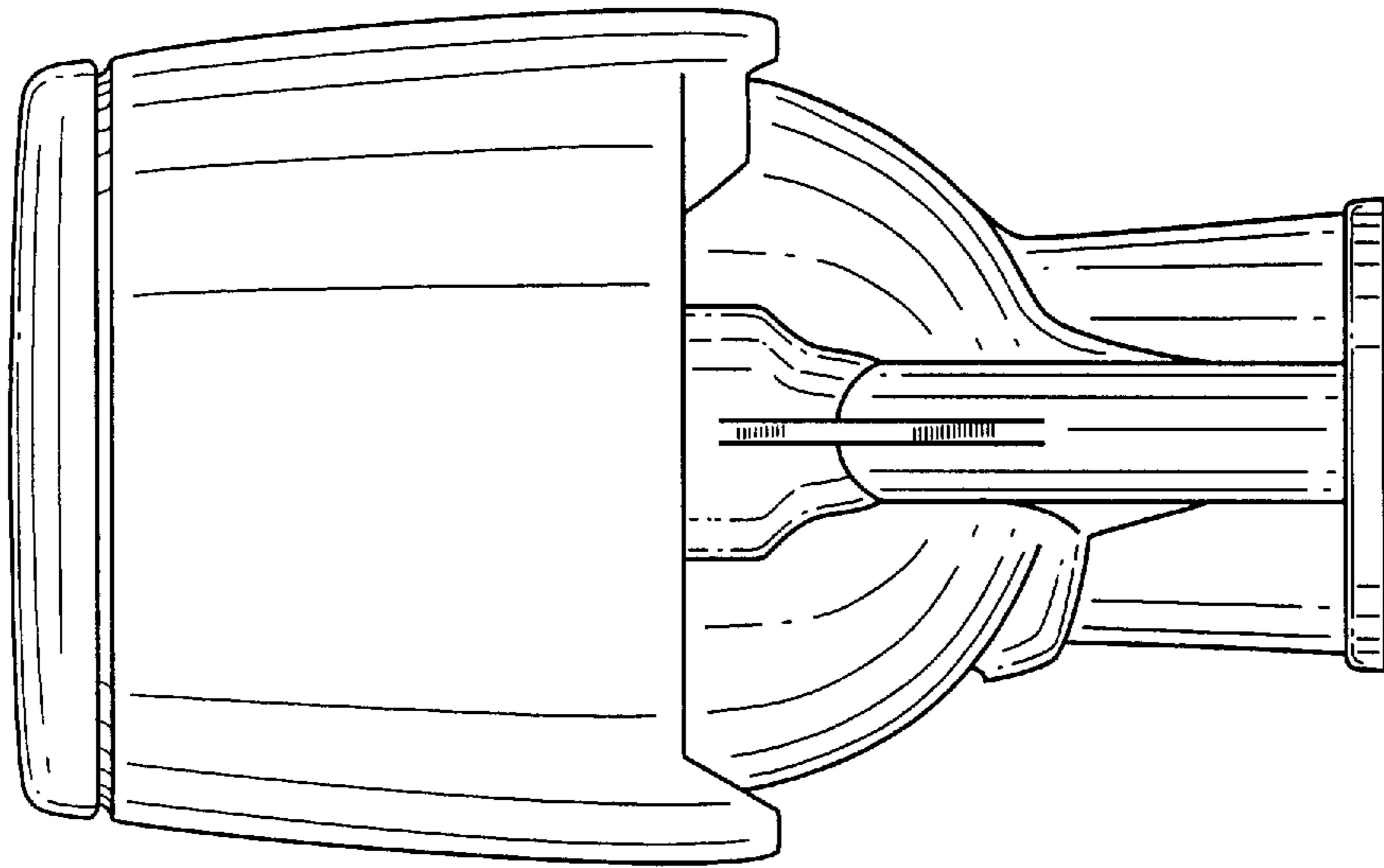


FIG. 12

FIG. 14

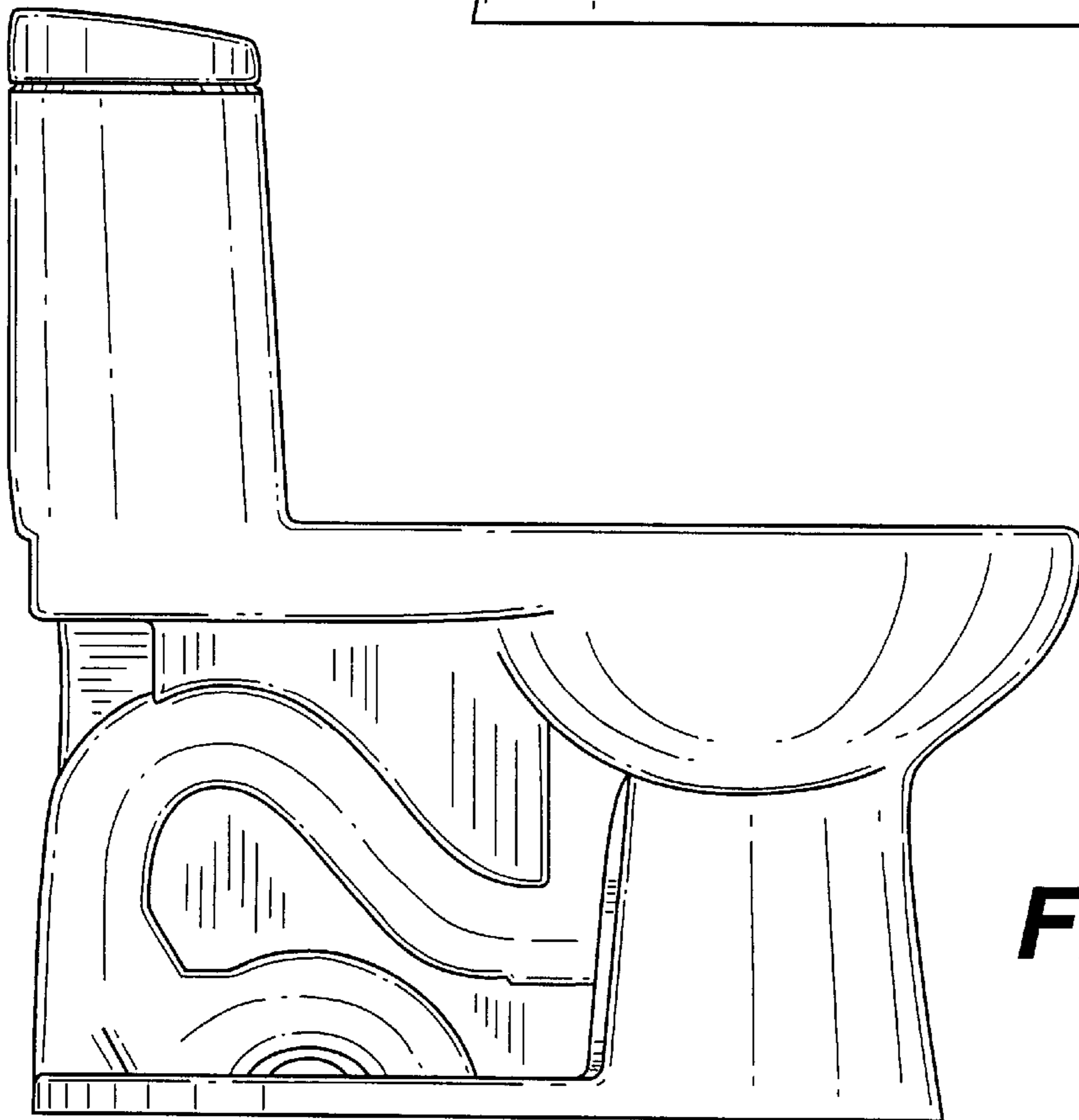
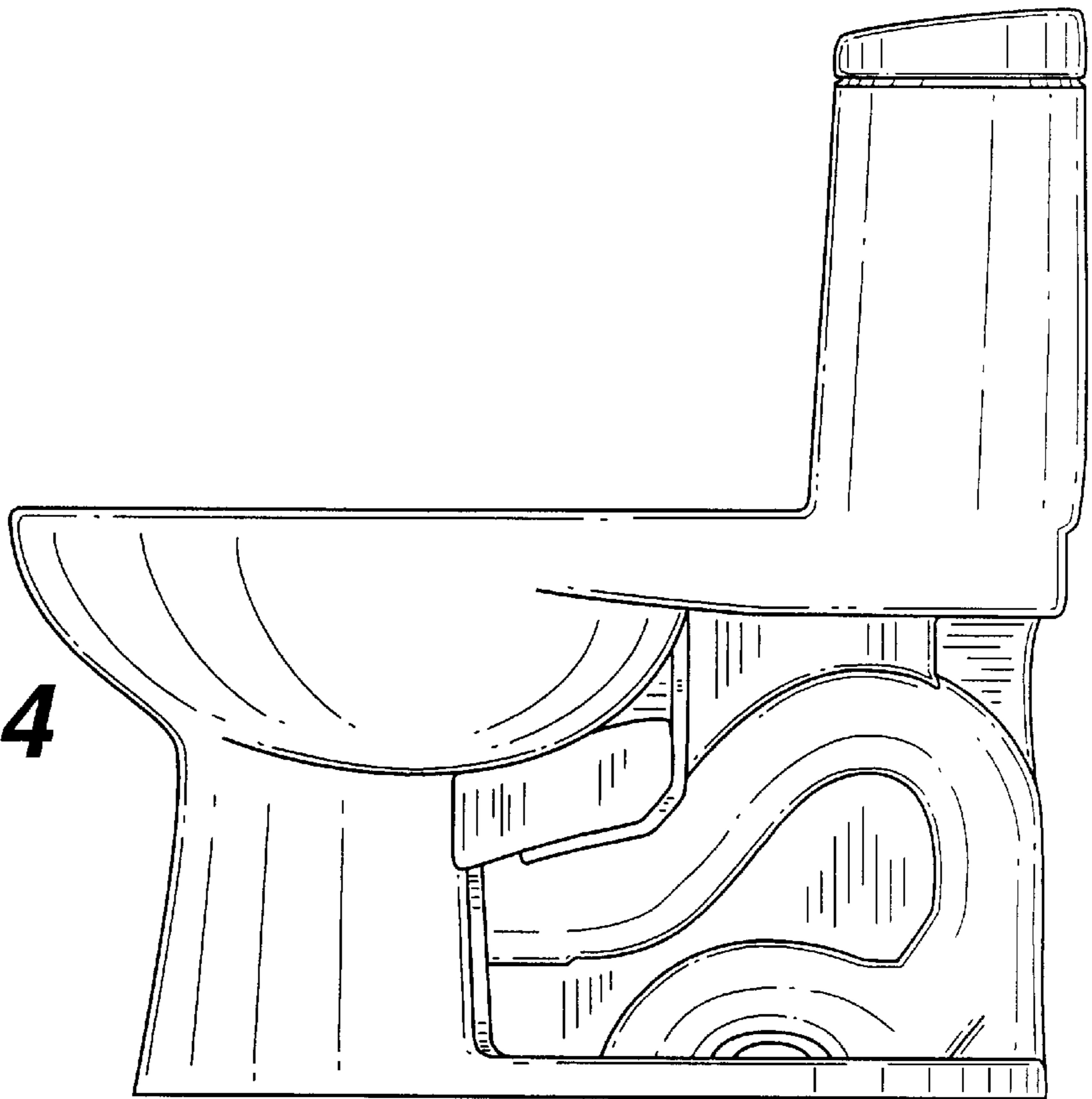


FIG. 15

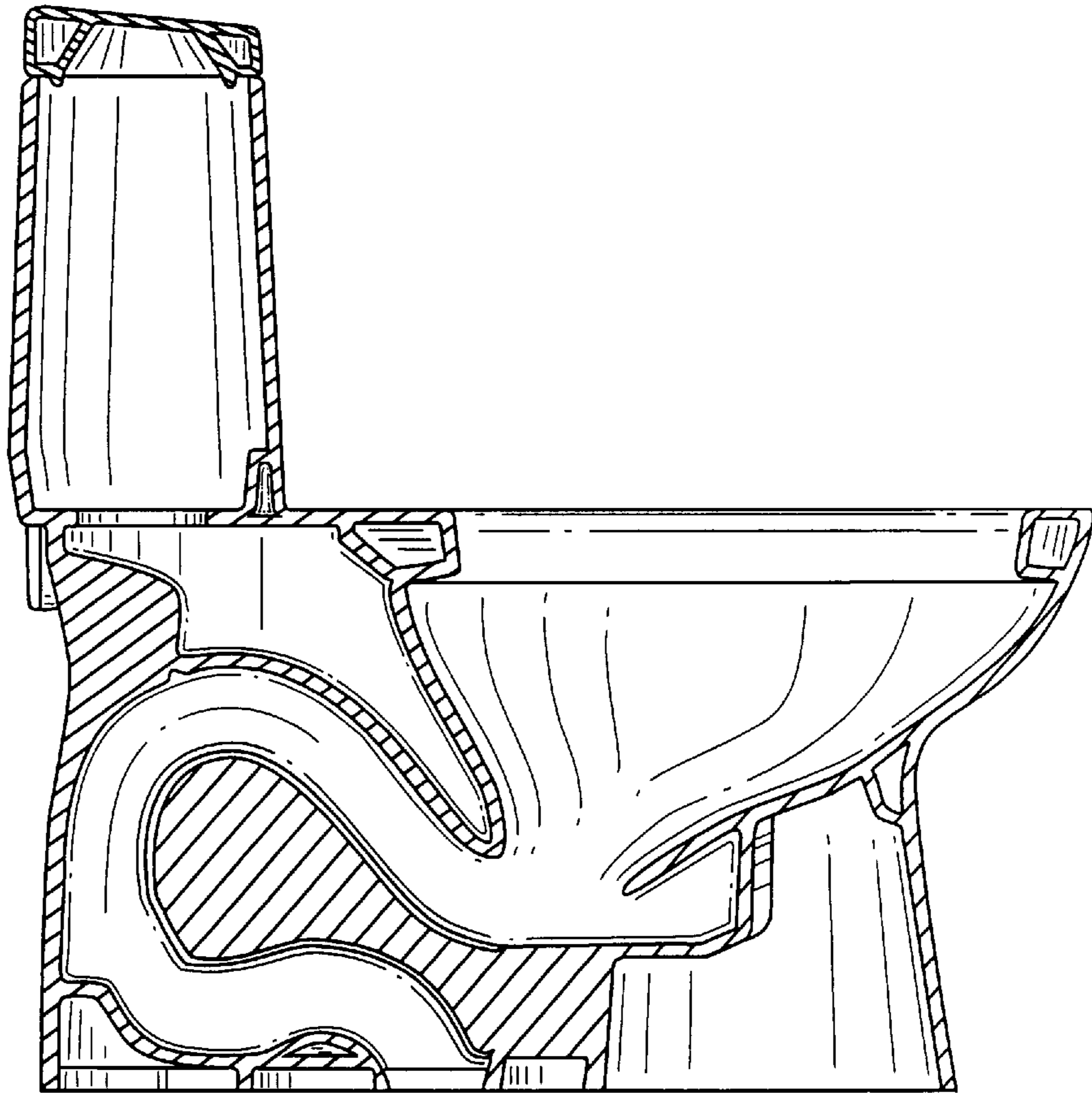


FIG. 16

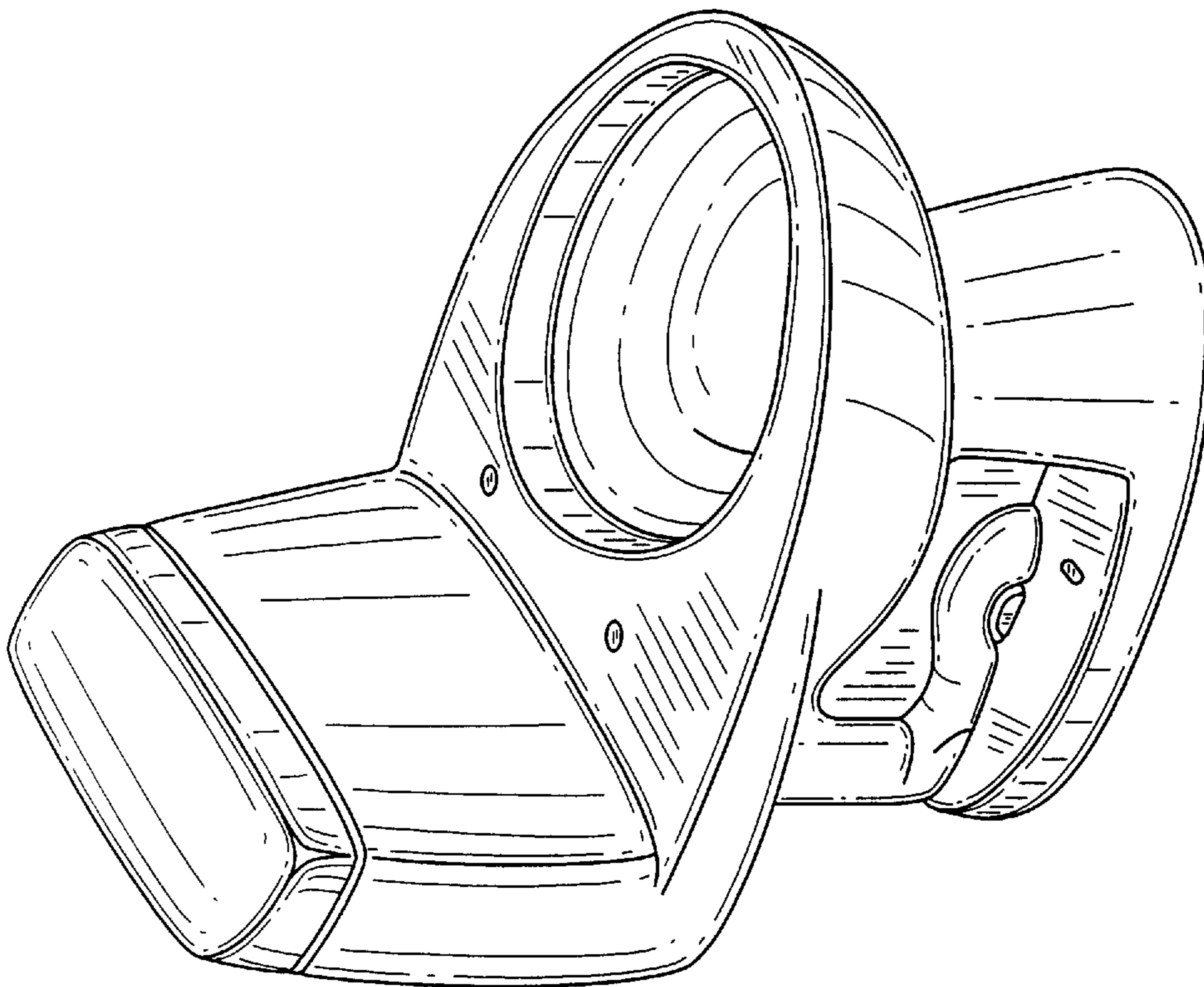


FIG. 17

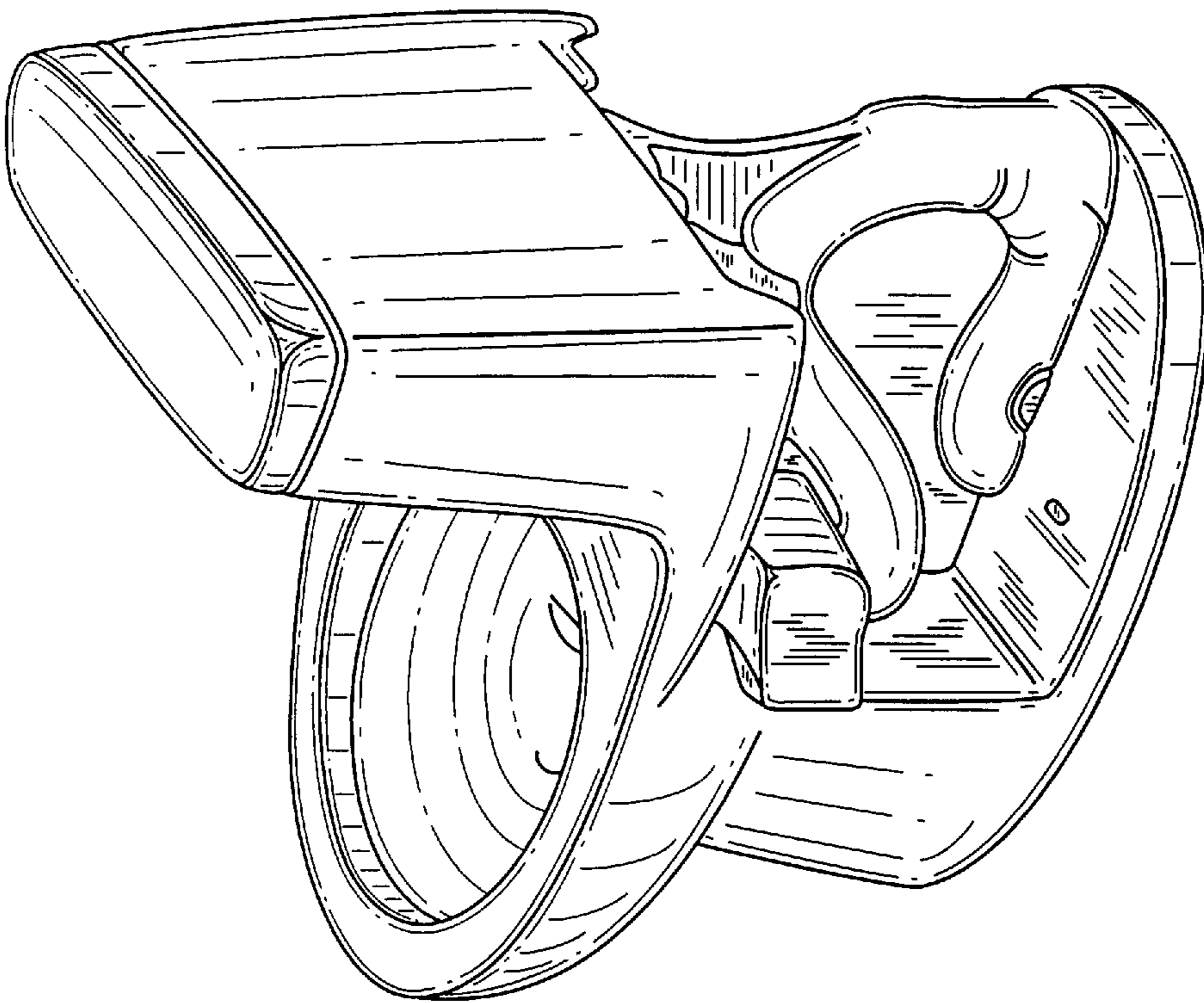


FIG. 18

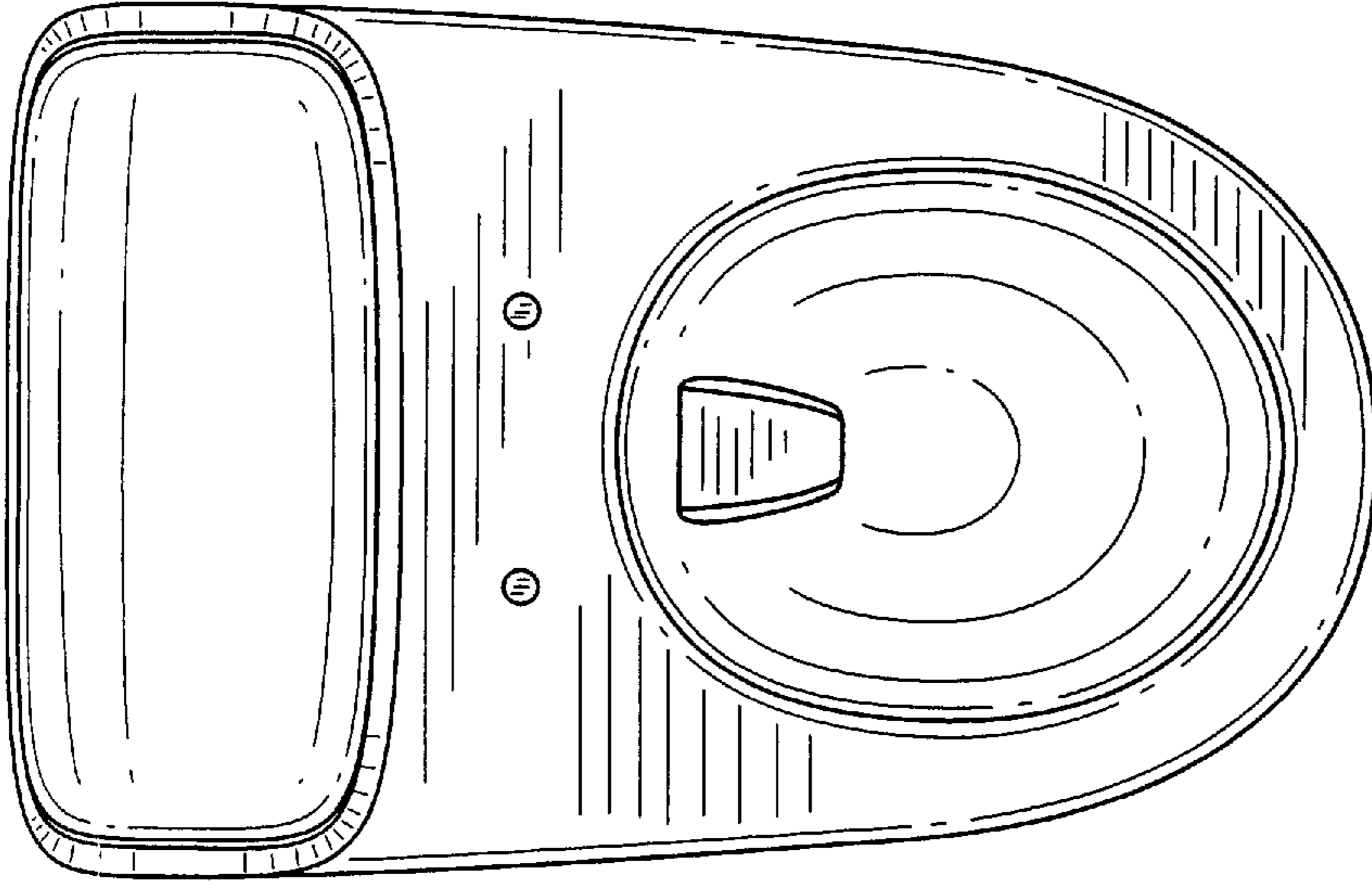


FIG. 20

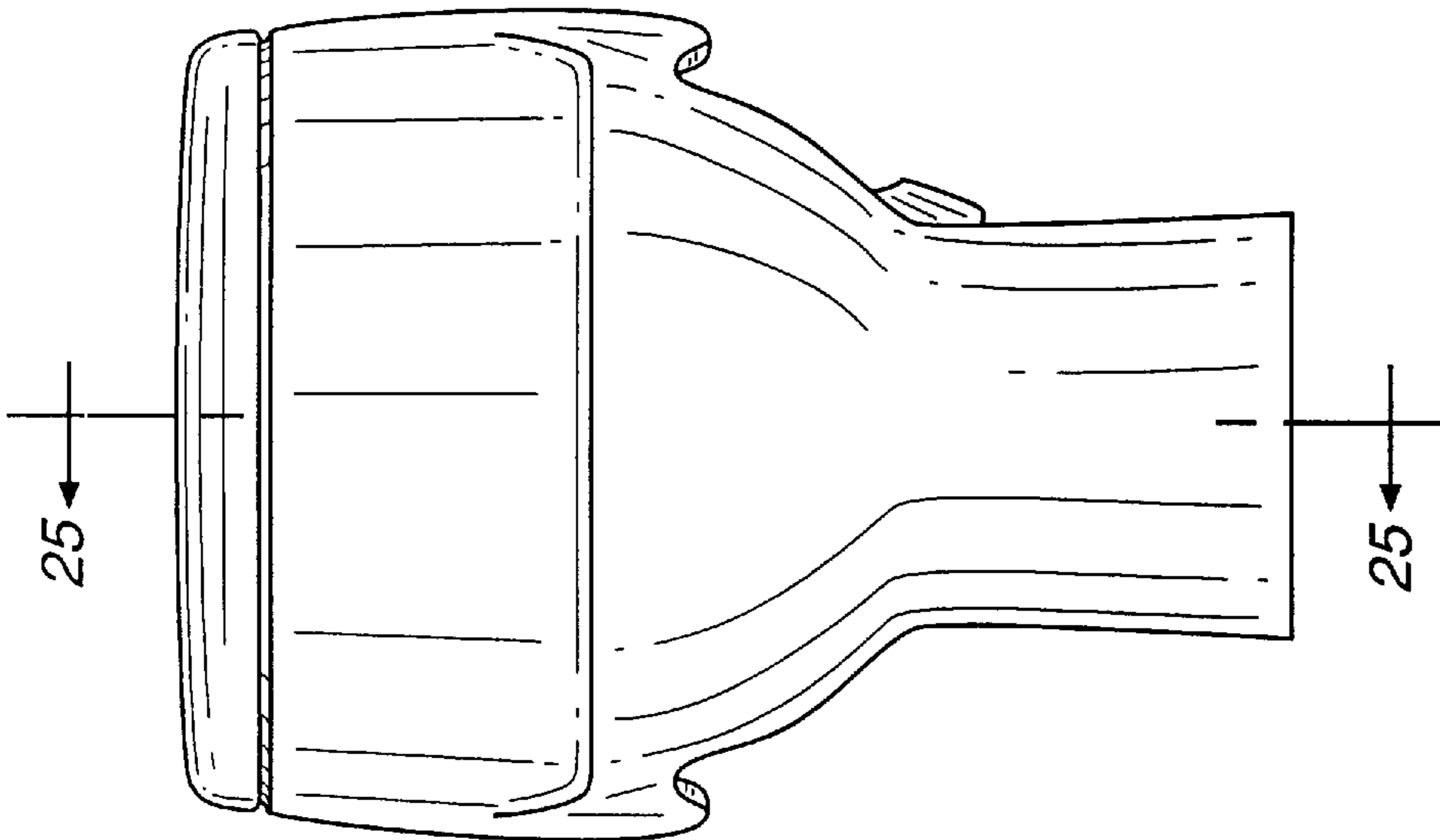


FIG. 19

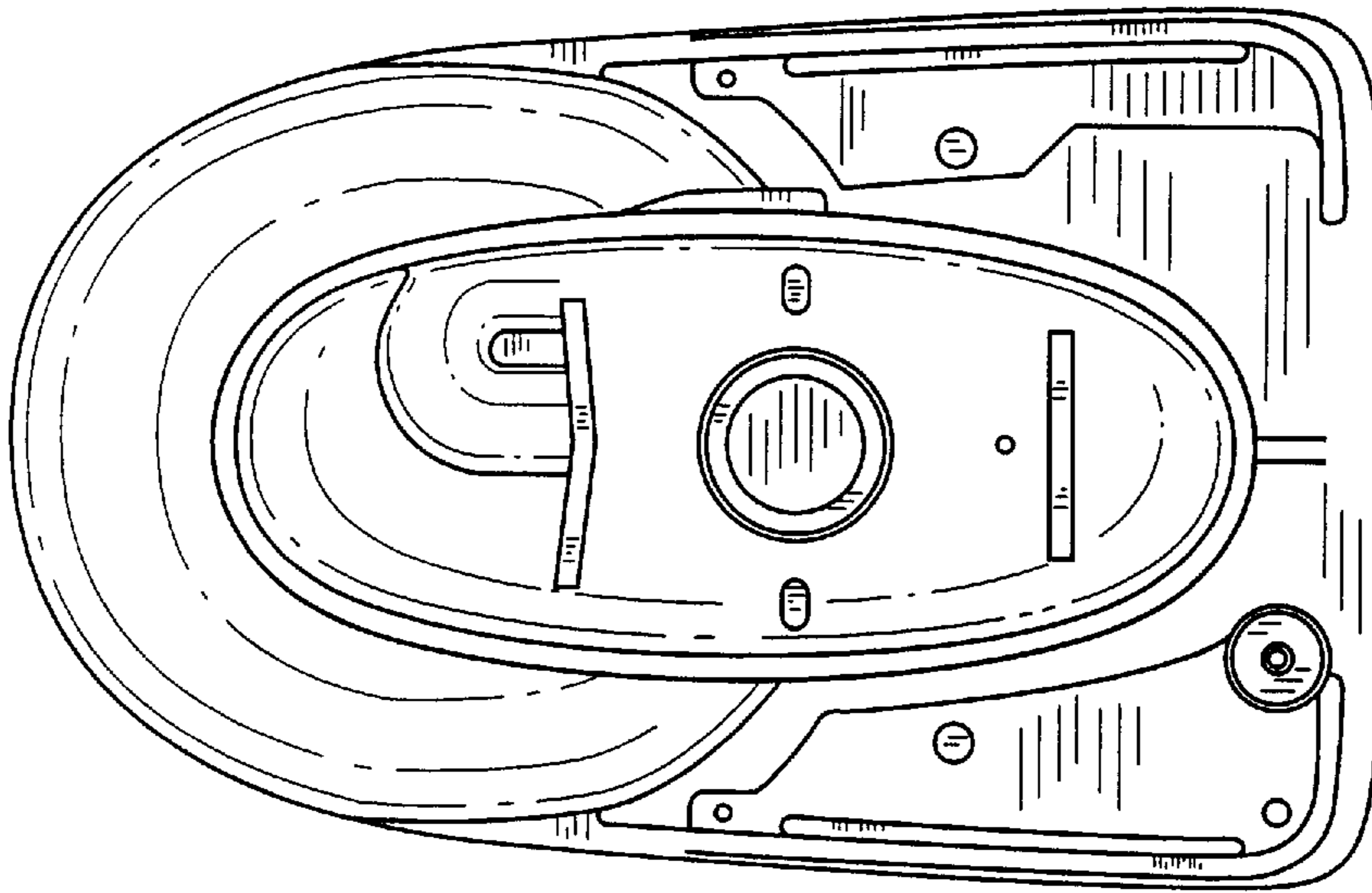


FIG. 22

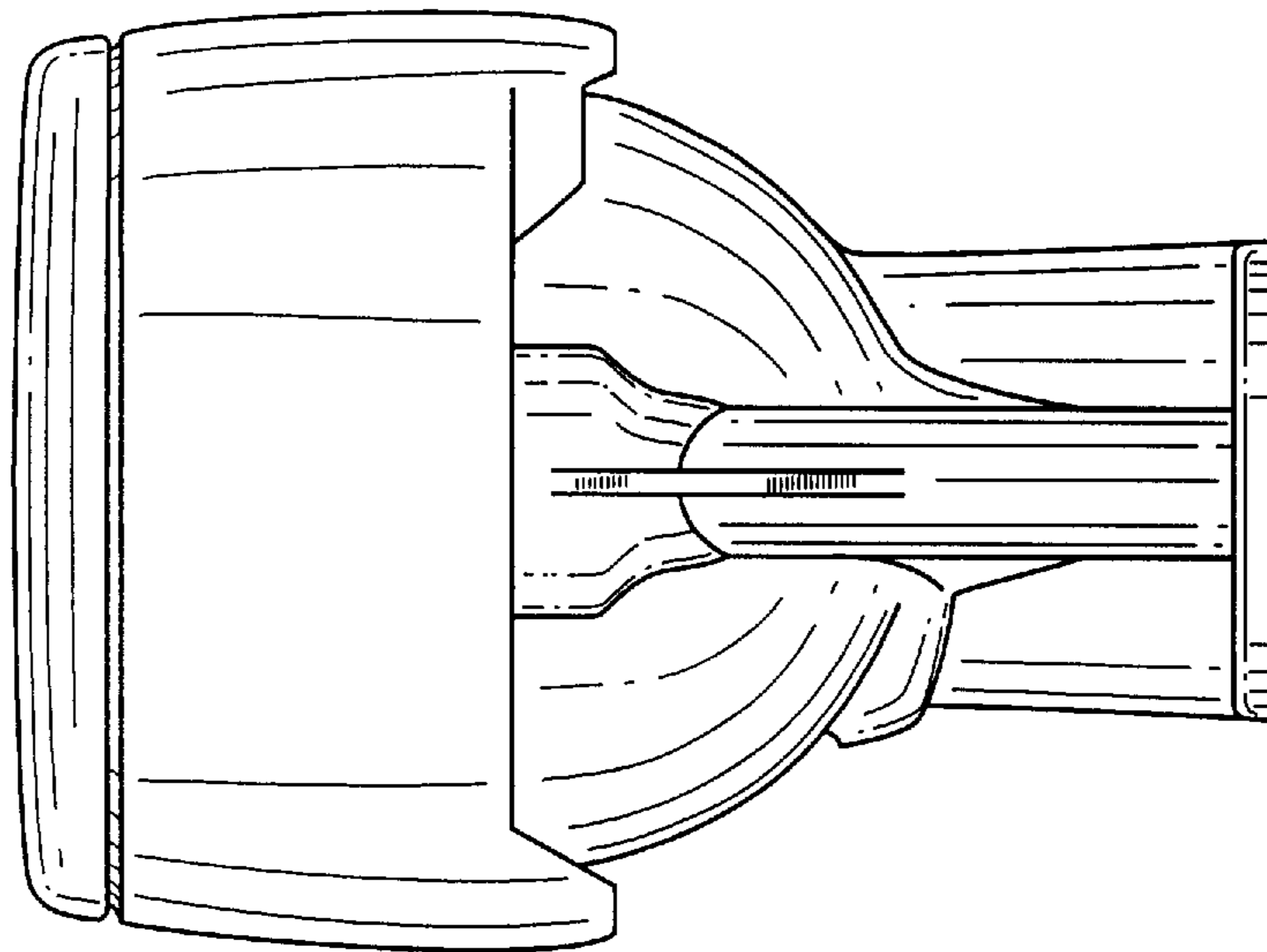


FIG. 21

FIG. 23

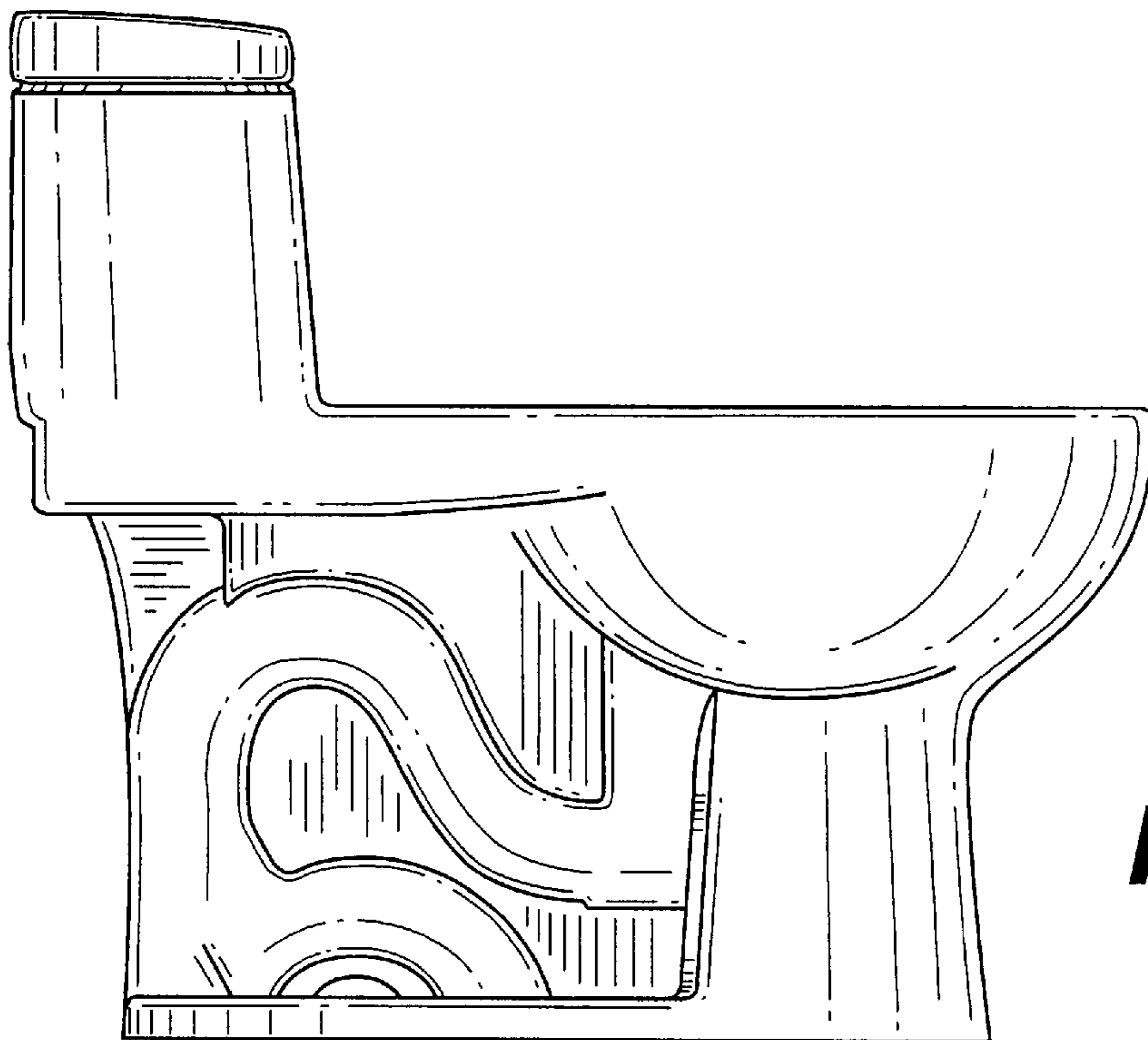
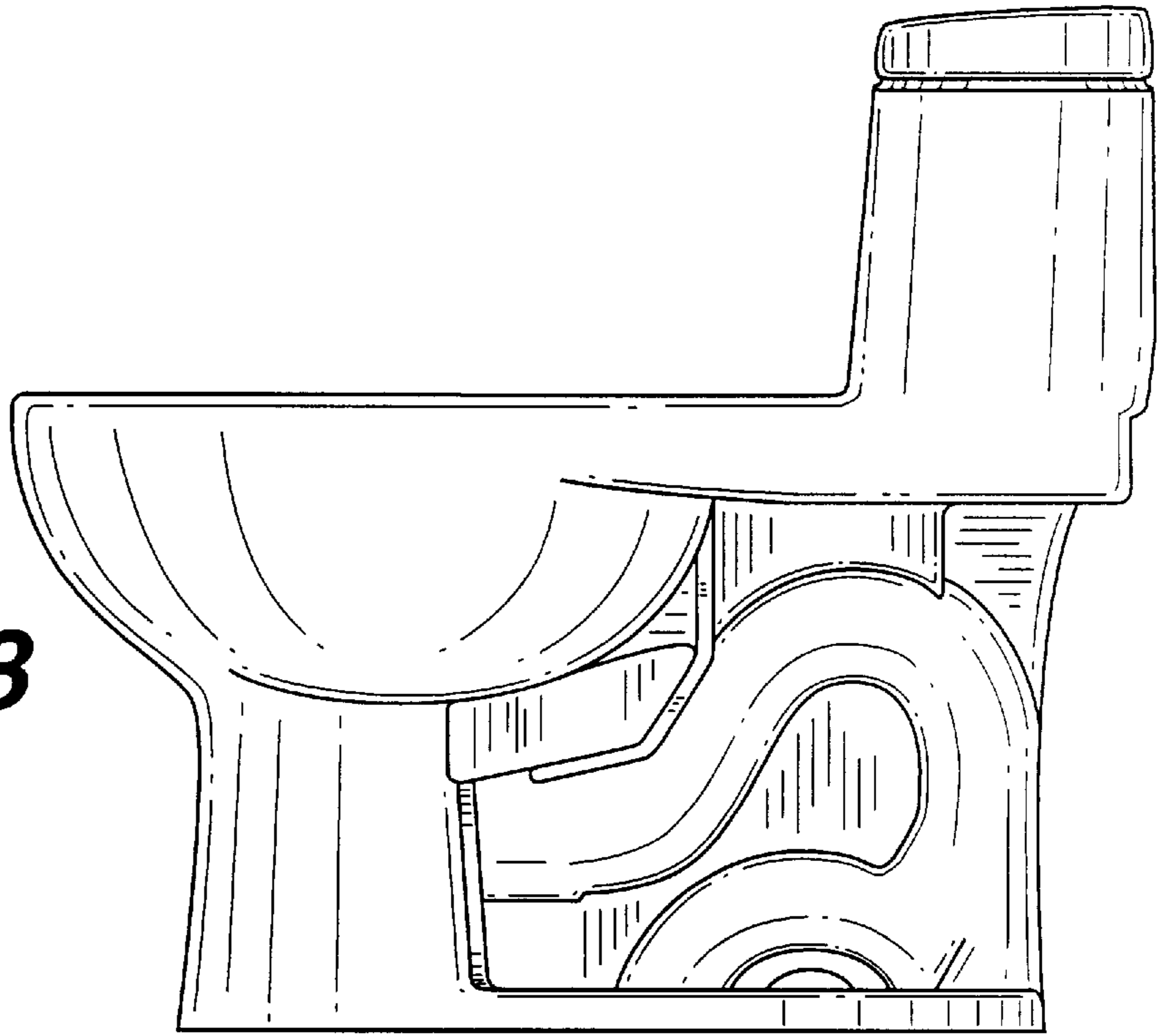


FIG. 24

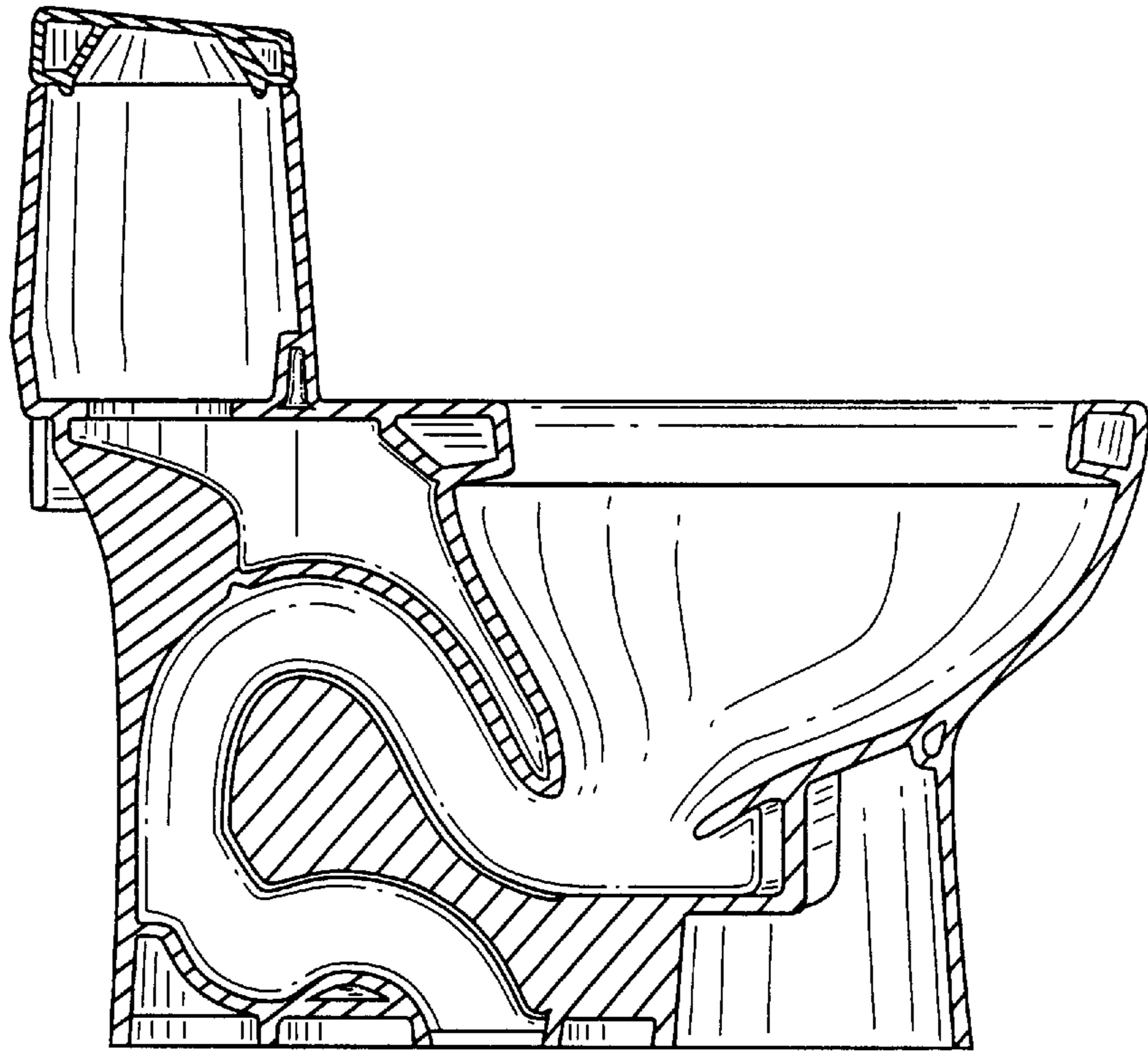


FIG. 25

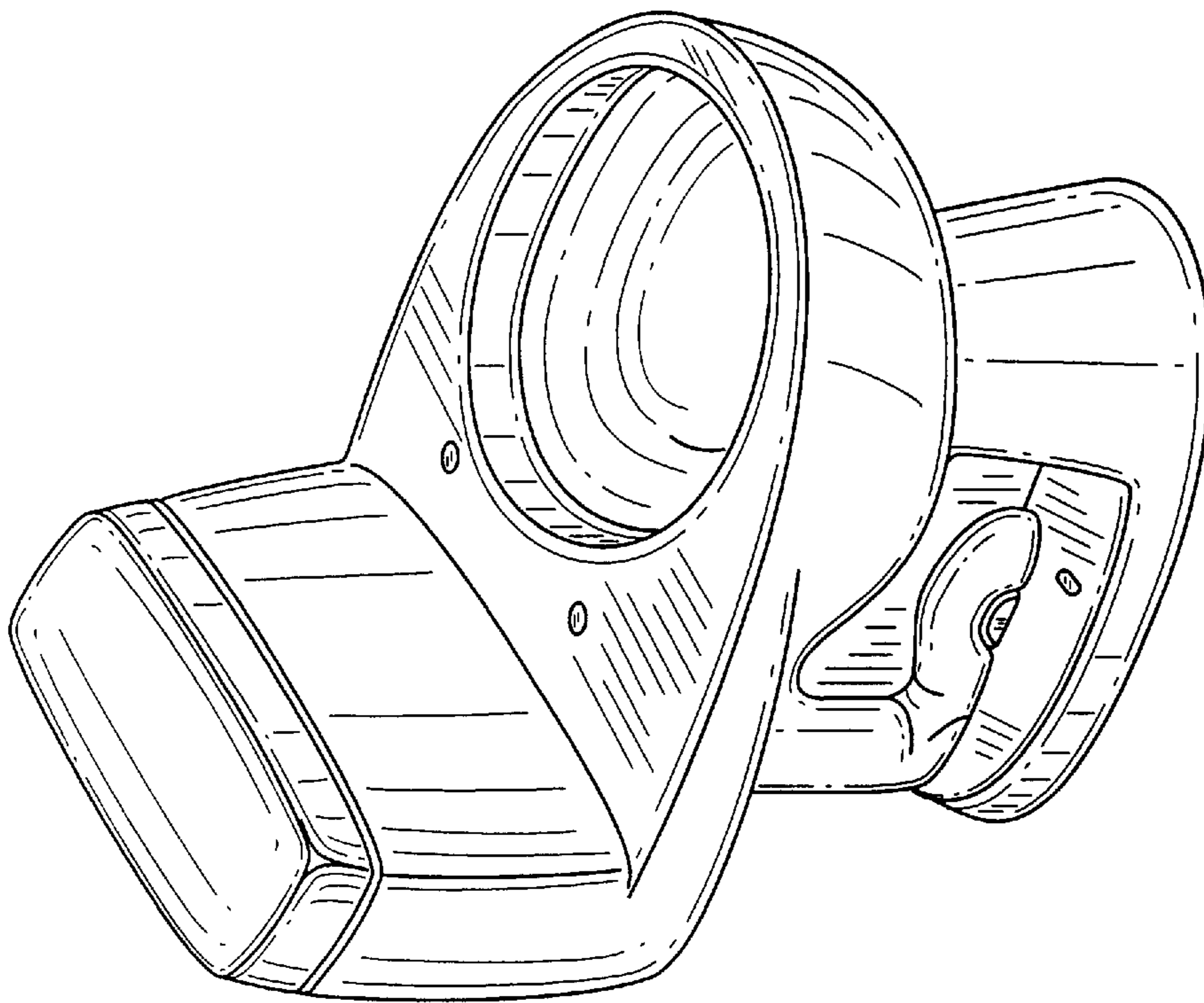


FIG. 26

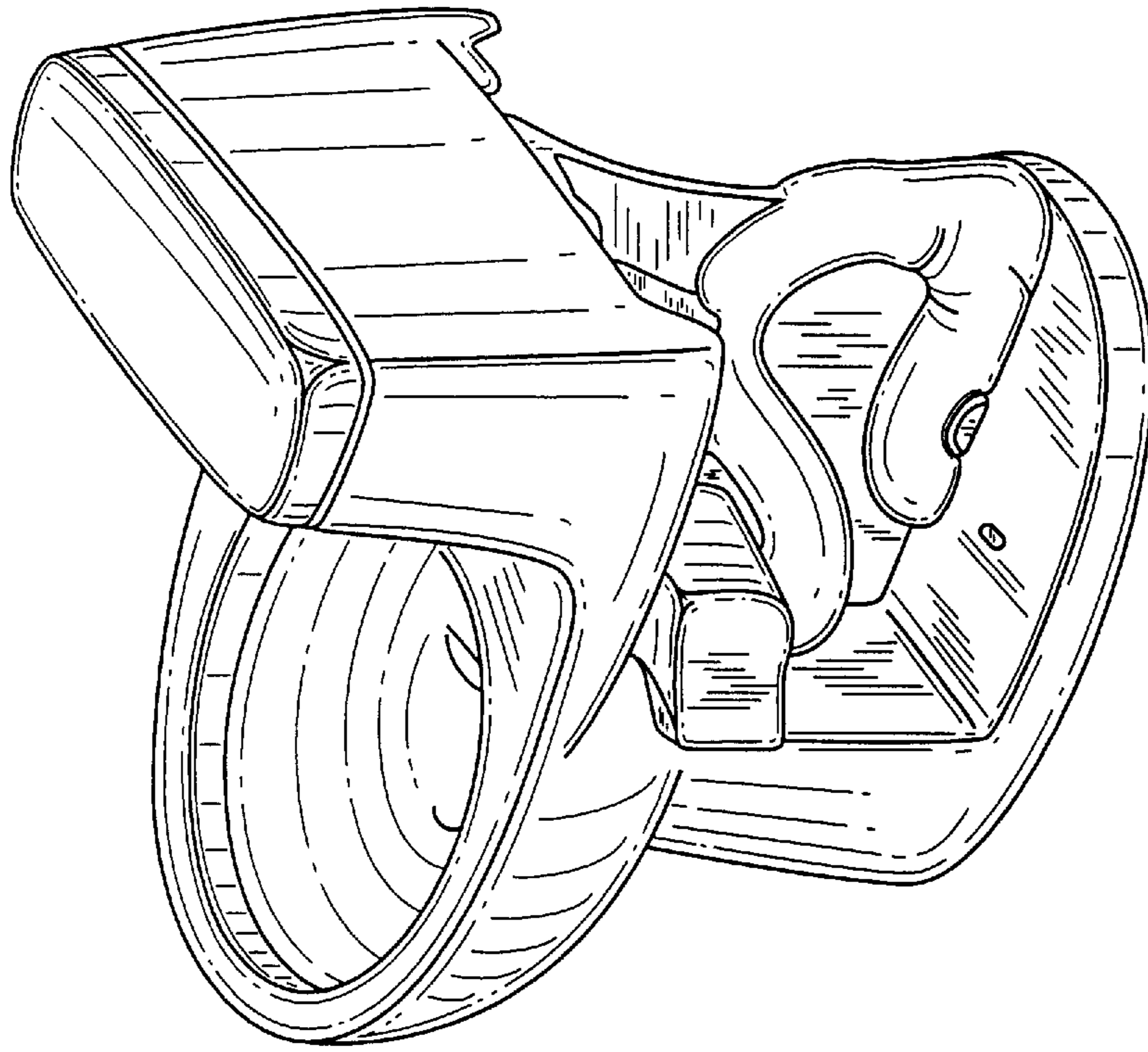


FIG. 27

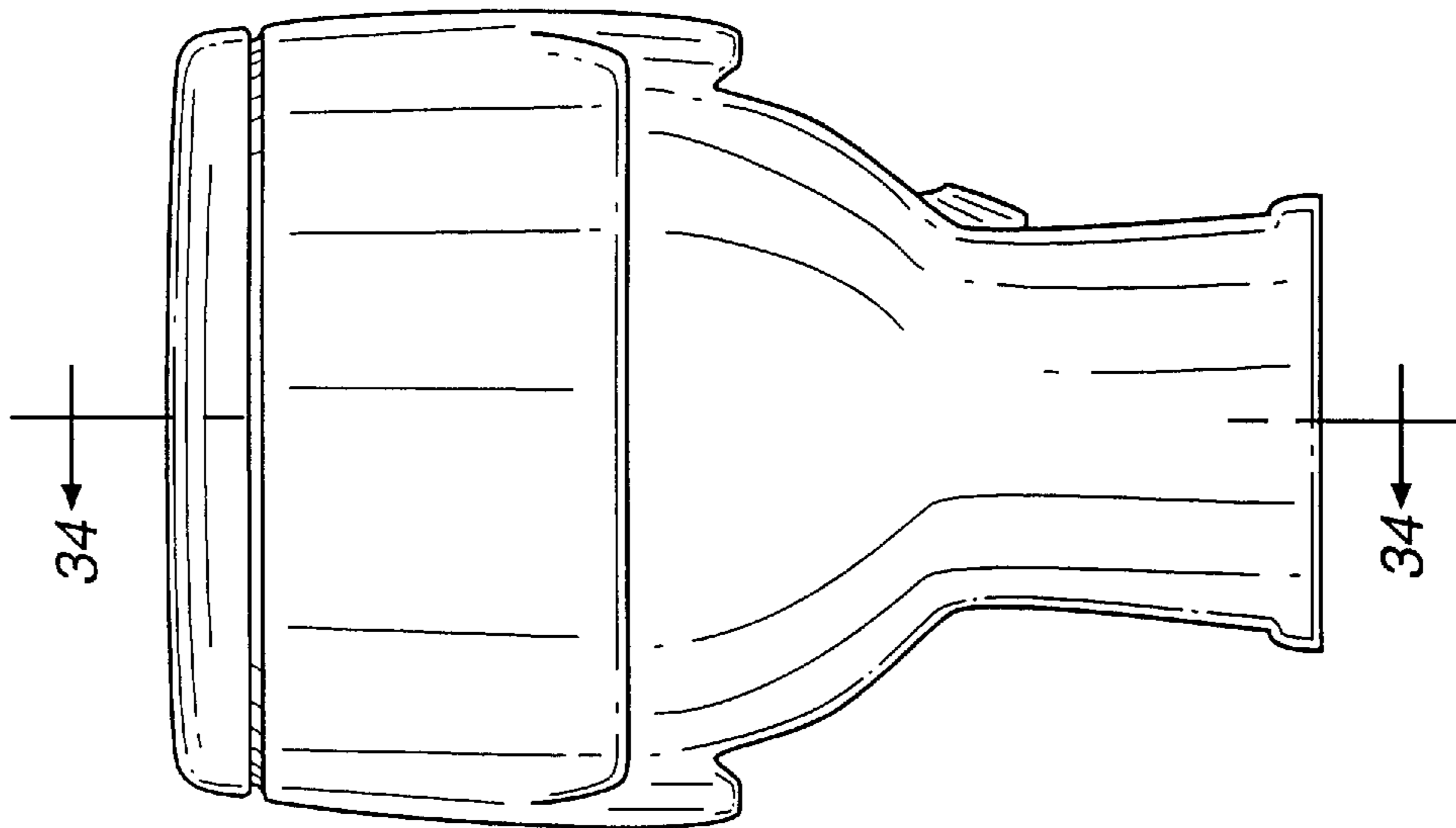


FIG. 28

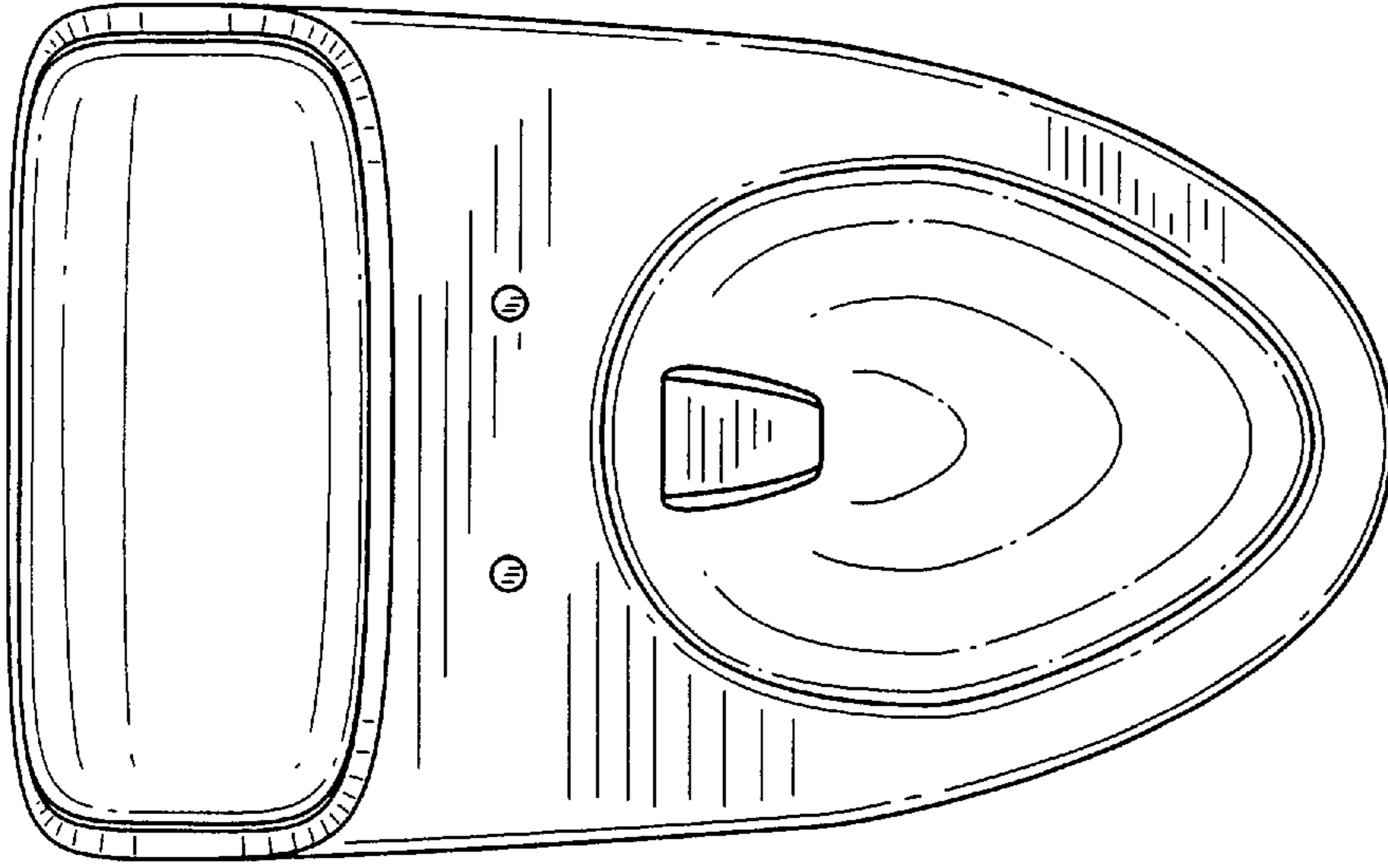


FIG. 29

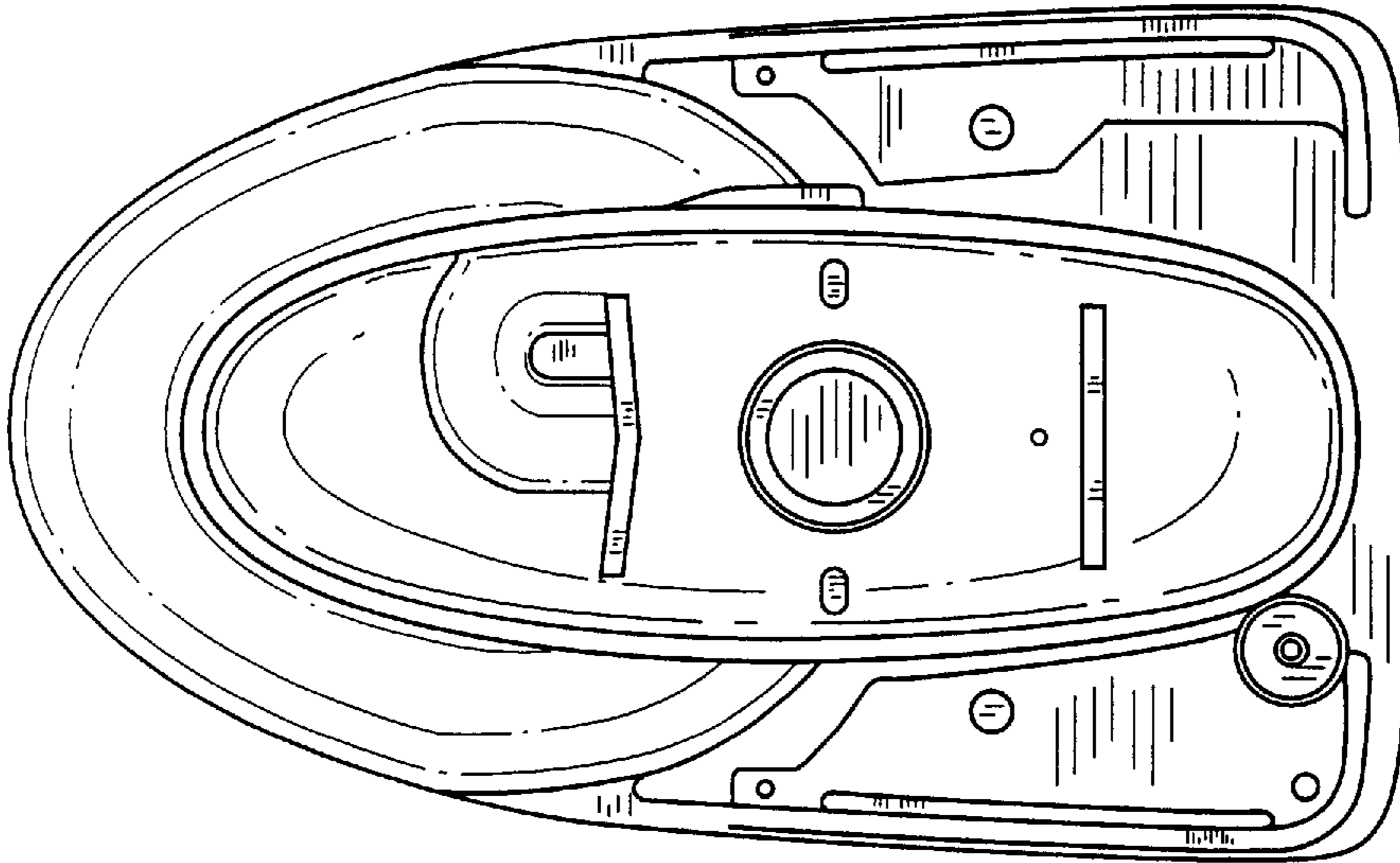


FIG. 31

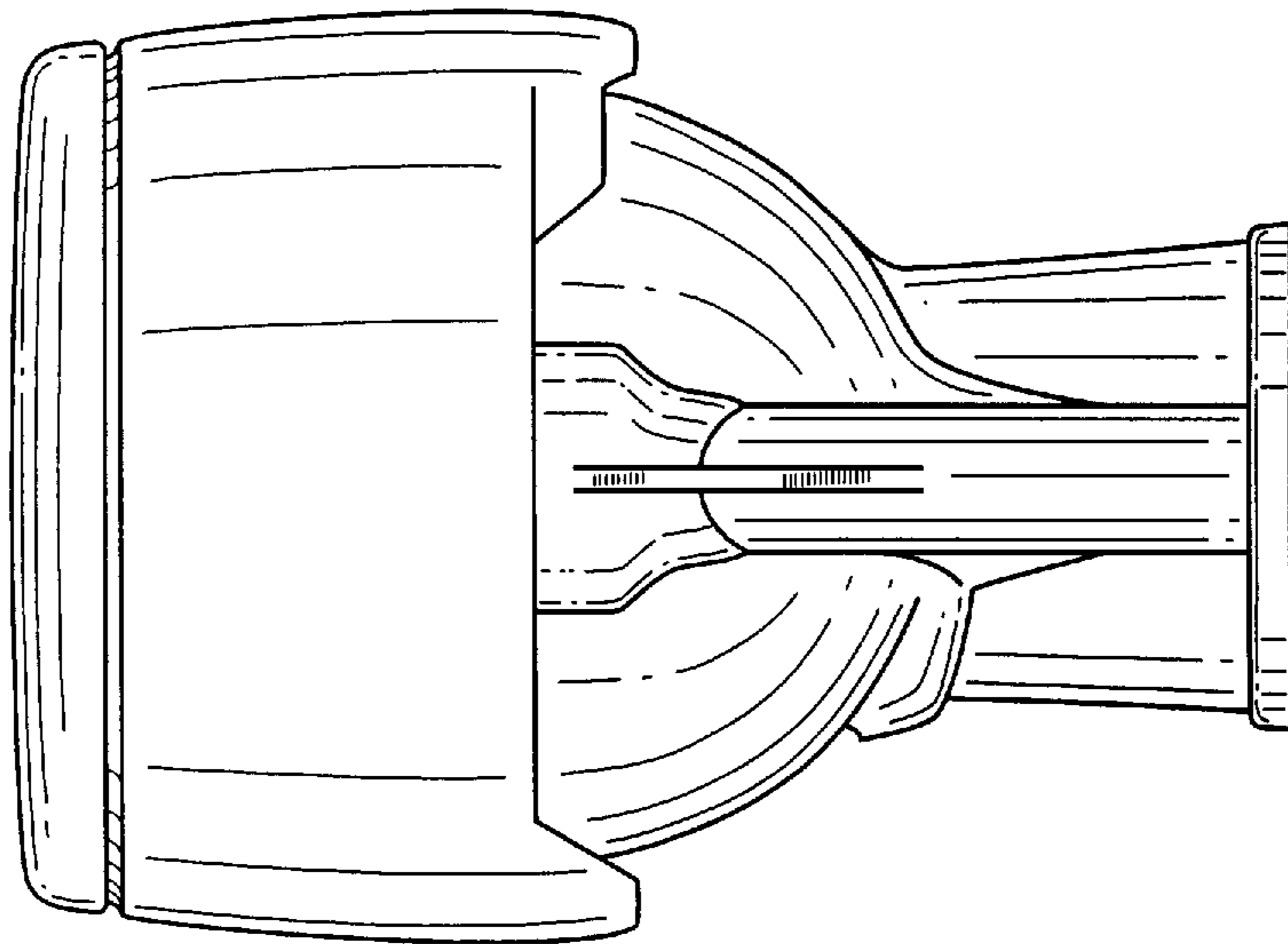


FIG. 30

FIG. 32

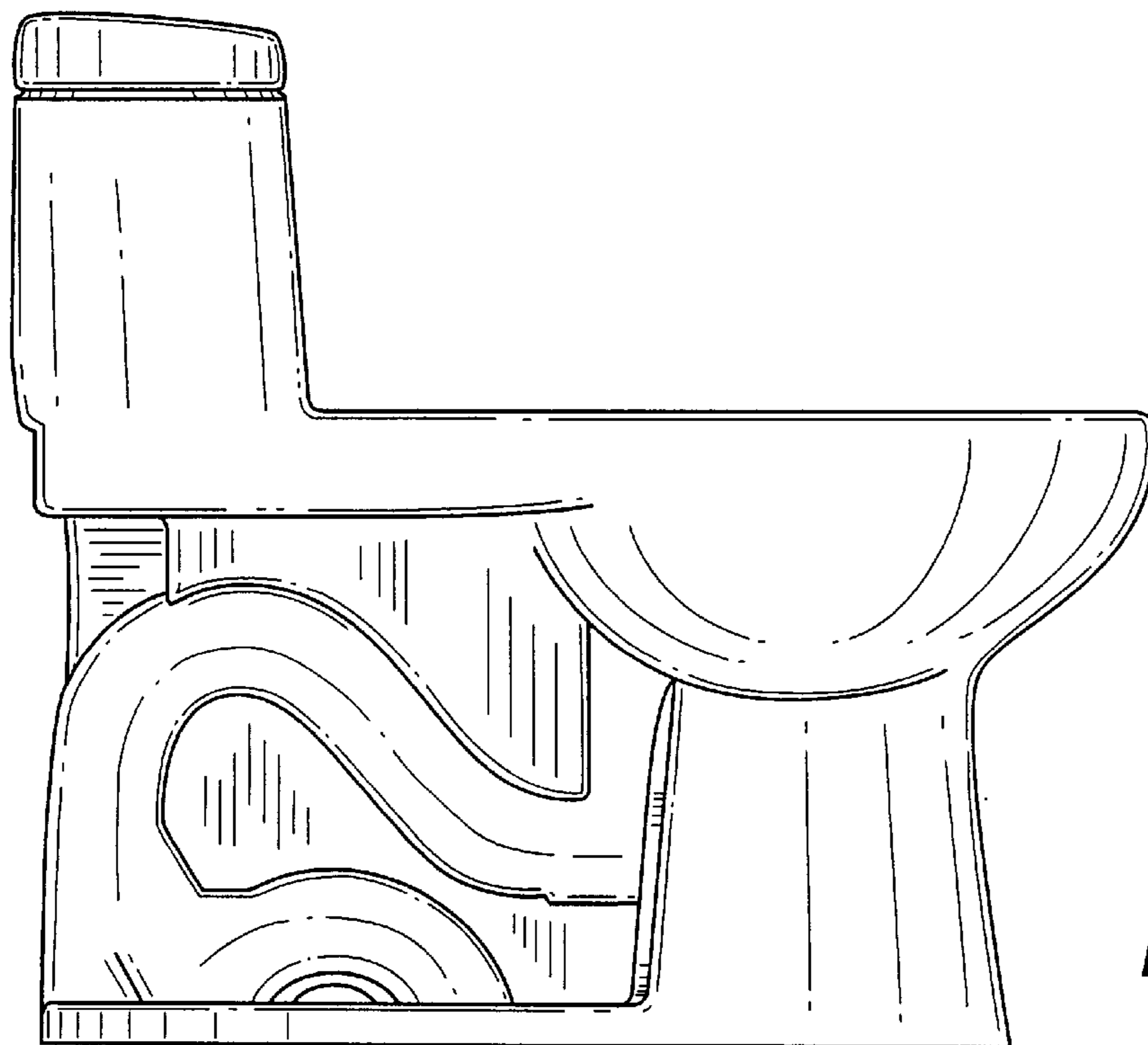
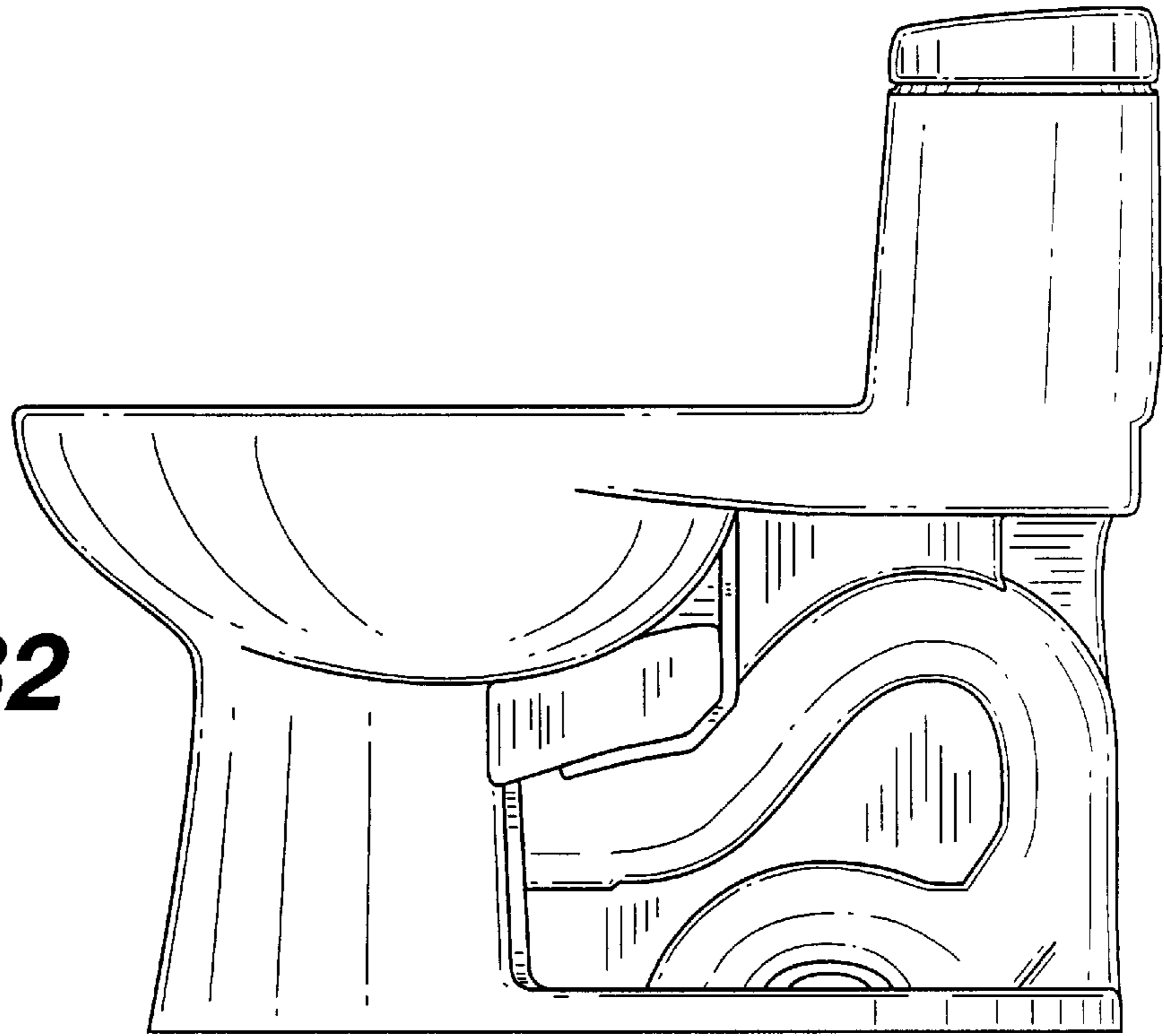


FIG. 33

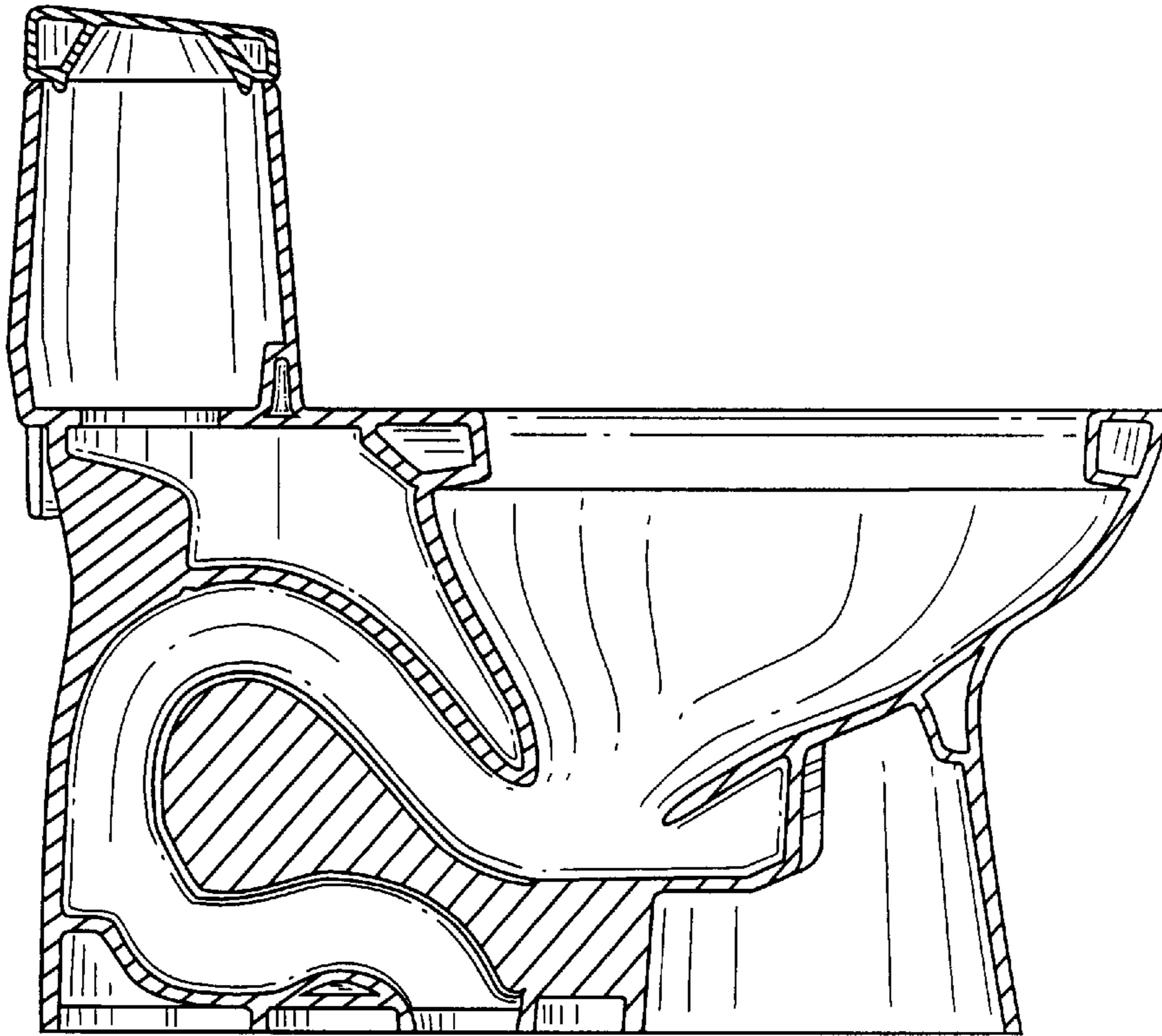


FIG. 34

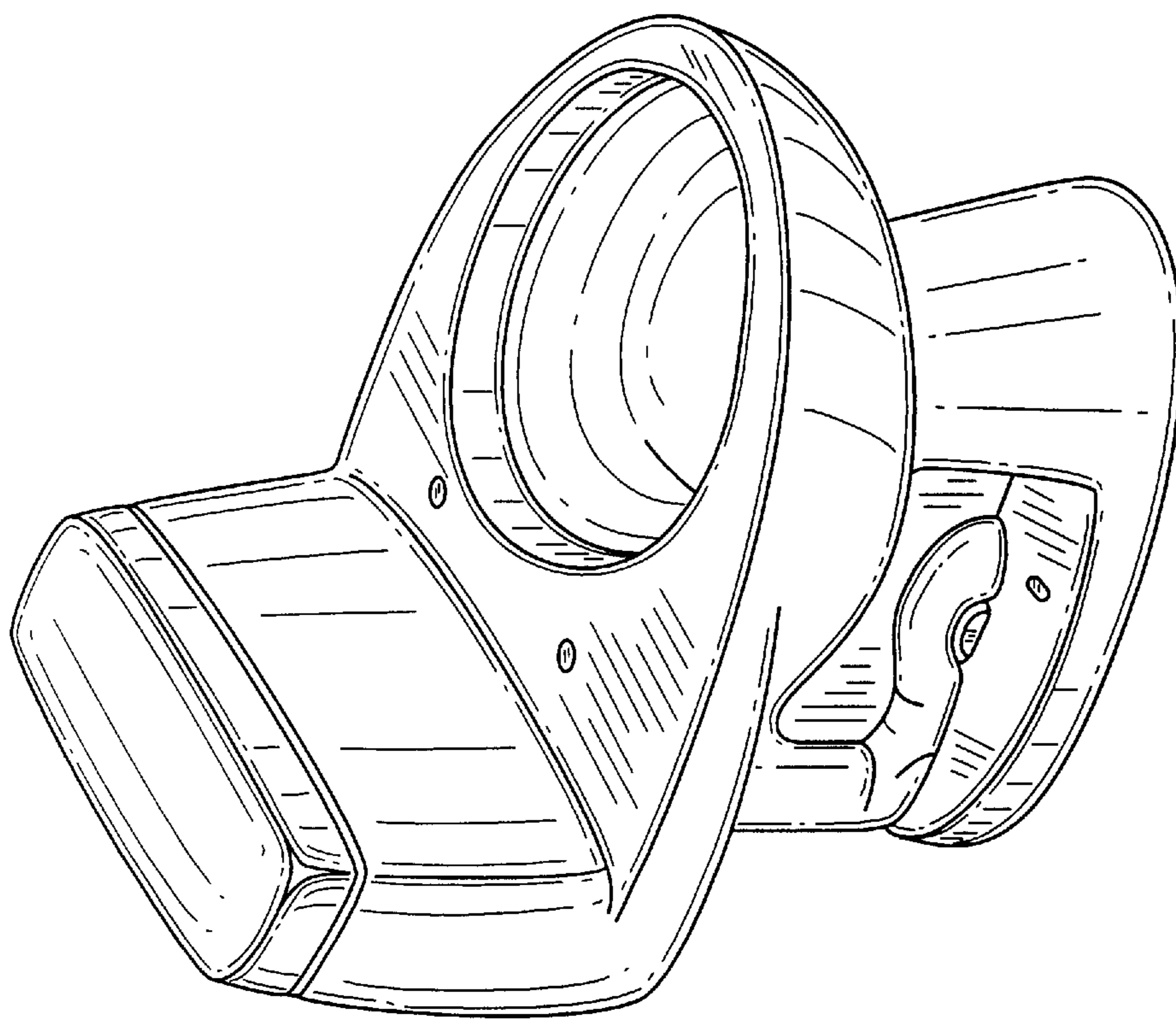


FIG. 35

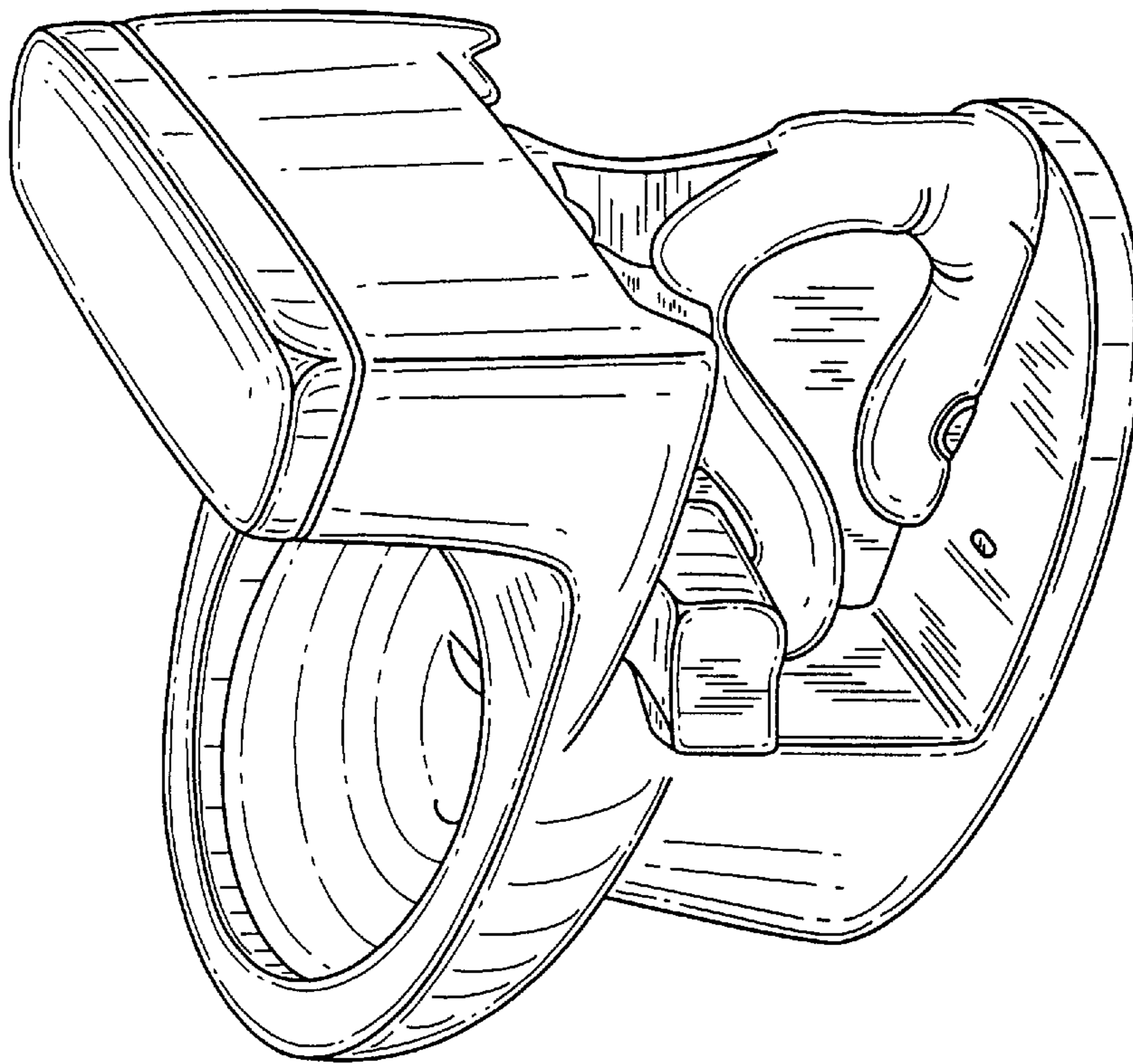


FIG. 36