



US00D399290S

United States Patent [19]
Sizemore, Jr.

[11] **Patent Number:** **Des. 399,290**
[45] **Date of Patent:** ****Oct. 6, 1998**

[54] **GOLF PUTTER HEAD**

[75] Inventor: **Bruce Edward Sizemore, Jr.**, Palm Harbor, Fla.
[73] Assignee: **Bruce E. Sizemore, Jr. Golf Design, L.L.C.**, Bloomfield Hills, Mich.
[**] Term: **14 Years**

[21] Appl. No.: **75,574**

[22] Filed: **Aug. 21, 1997**

[51] **LOC (6) Cl.** **21-02**

[52] **U.S. Cl.** **D21/742**

[58] **Field of Search** D21/217-219;
473/324, 328, 340, 341, 251-256

[56] **References Cited**

U.S. PATENT DOCUMENTS

- D. 234,961 4/1975 Swash D21/217
- D. 318,702 7/1991 Igarashi D21/219
- D. 333,331 2/1993 Evans D21/219
- D. 337,803 7/1993 Sillers D21/219

- D. 342,558 12/1993 Diesterheft D21/219
- D. 377,675 1/1997 Abel D21/219

Primary Examiner—Ted Shooman
Assistant Examiner—Mitchell I. Siegel
Attorney, Agent, or Firm—Harness, Dickey & Pierce, P.L.C.

[57] **CLAIM**

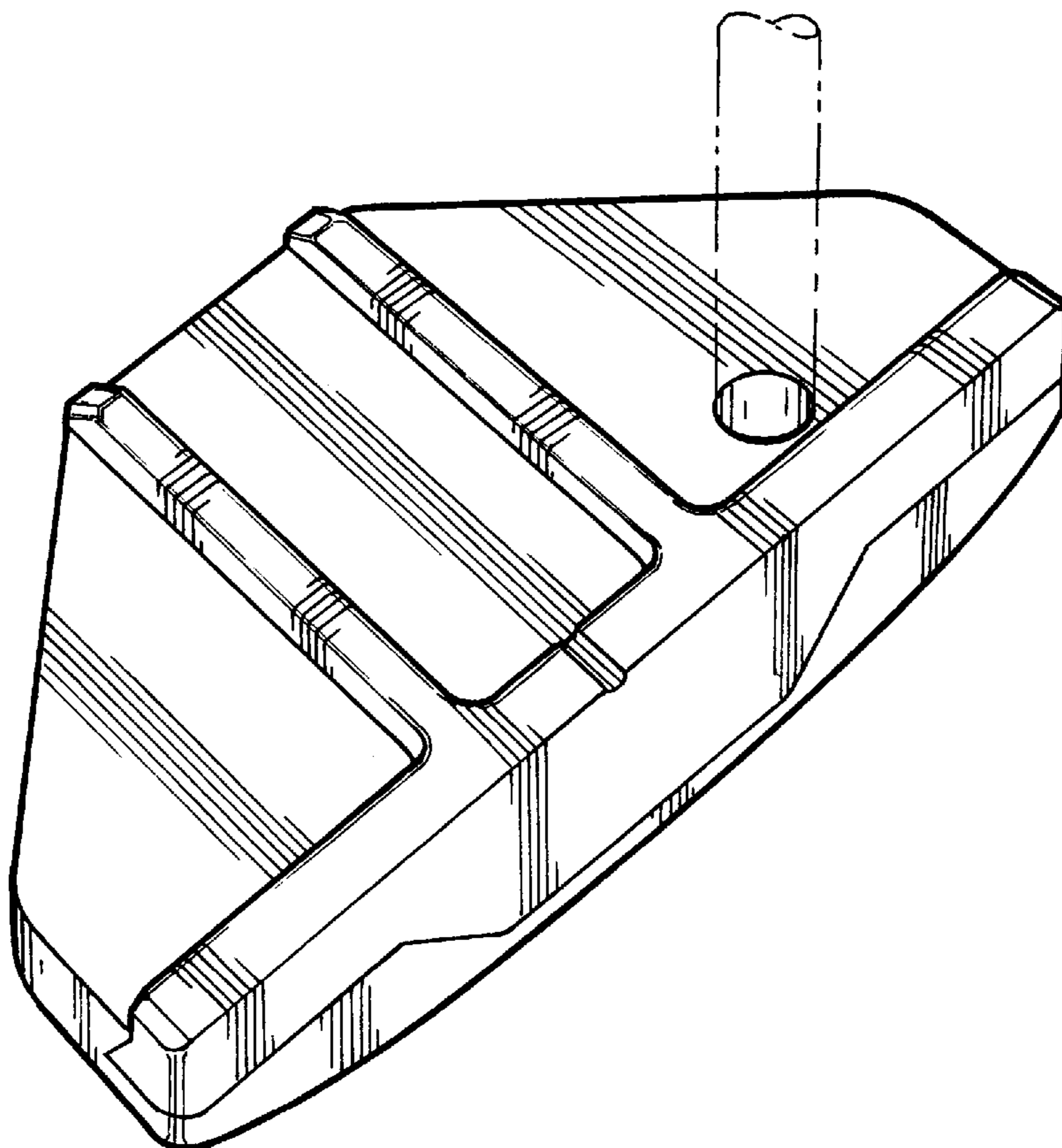
The ornamental design for a golf putter head, as shown and described.

DESCRIPTION

FIG. 1 is a perspective view of a golf putter head in accordance with my new design;
FIG. 2 is a front plan thereof;
FIG. 3 is a rear view thereof;
FIG. 4 is a top view thereof;
FIG. 5 is a bottom view thereof; and,
FIG. 6 is a right side view thereof.

The broken line showing of a fragmented shaft in FIG. 1 is for illustrative purposes only and forms no part of the claimed design.

1 Claim, 2 Drawing Sheets



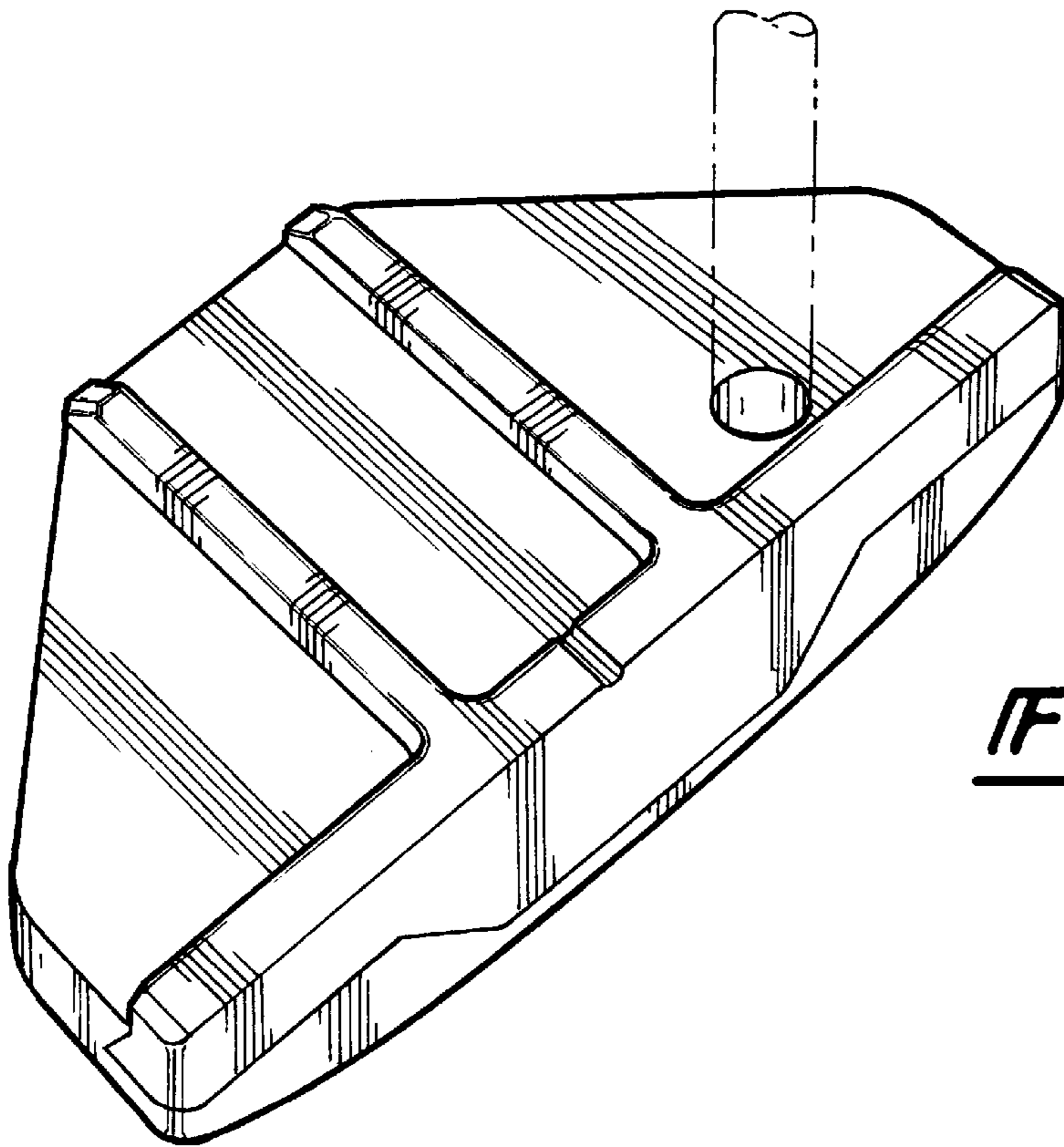


Fig-1

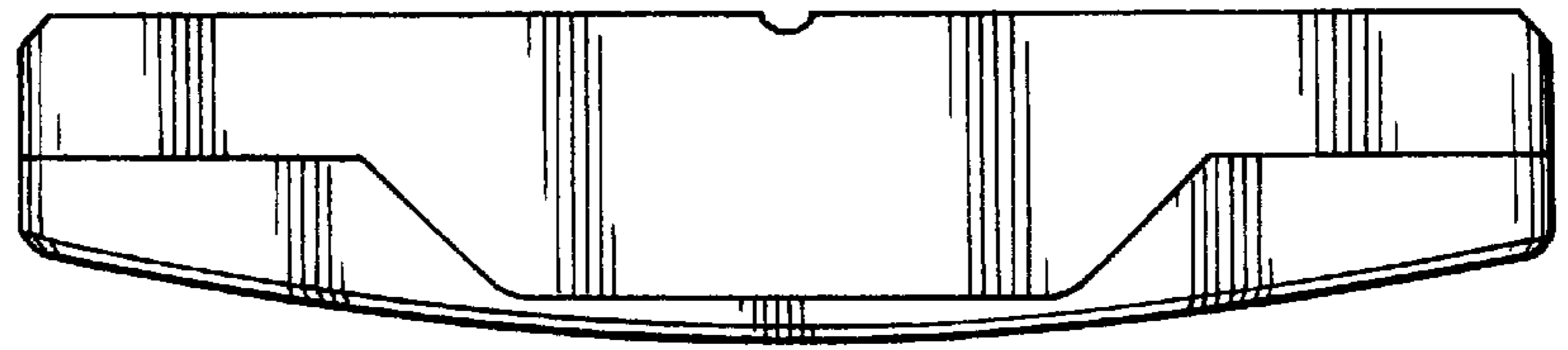


Fig-2

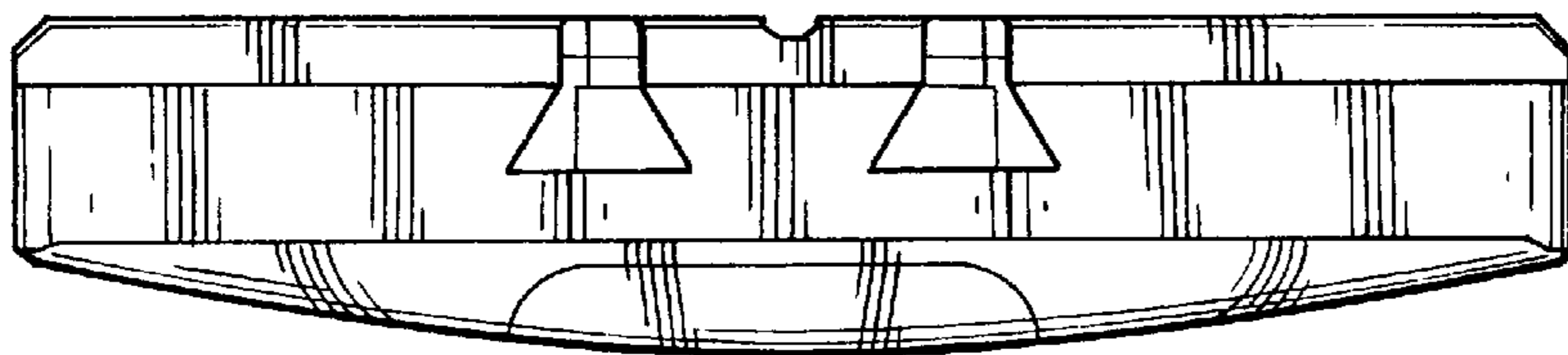


Fig-3

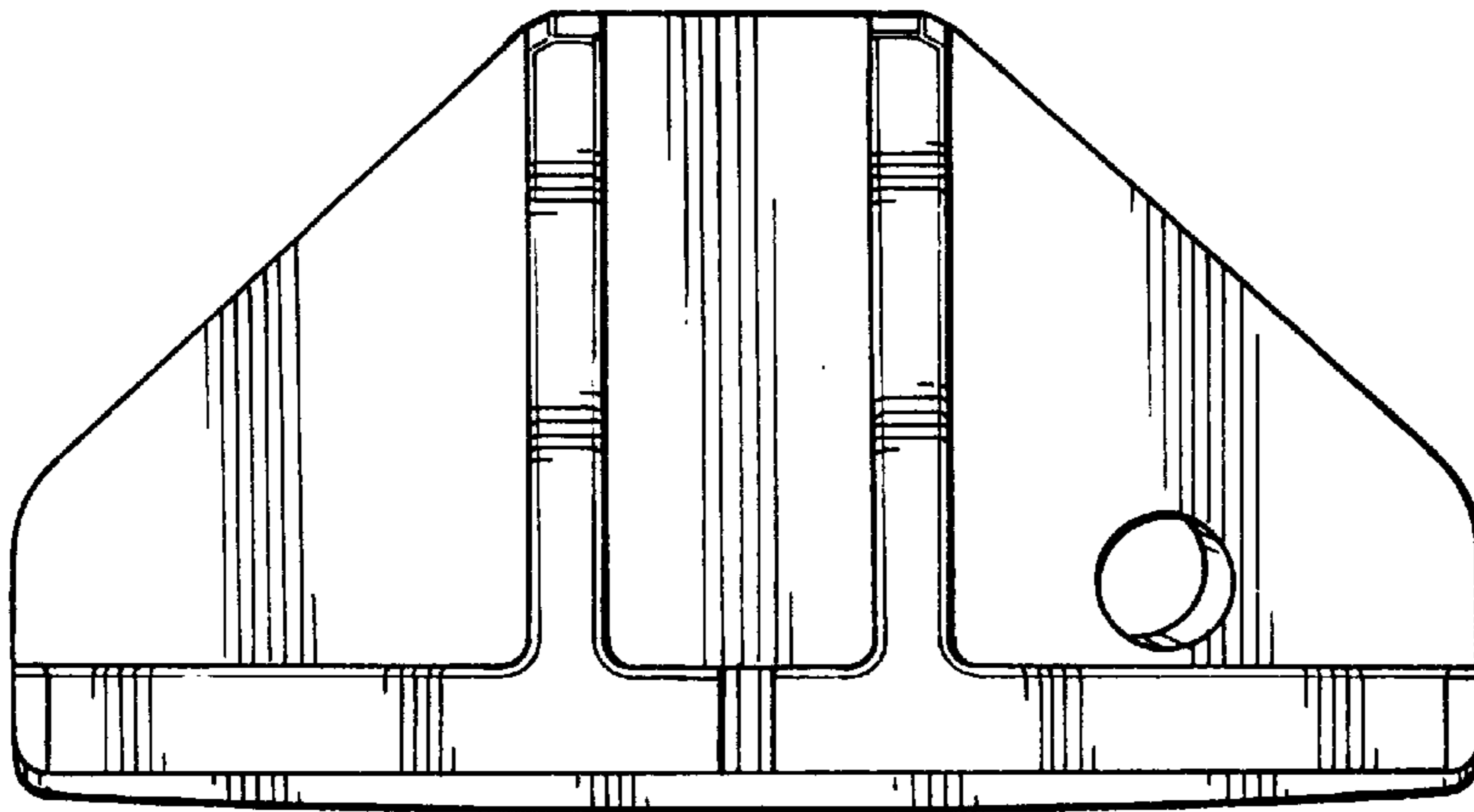


Fig-4

Fig-5

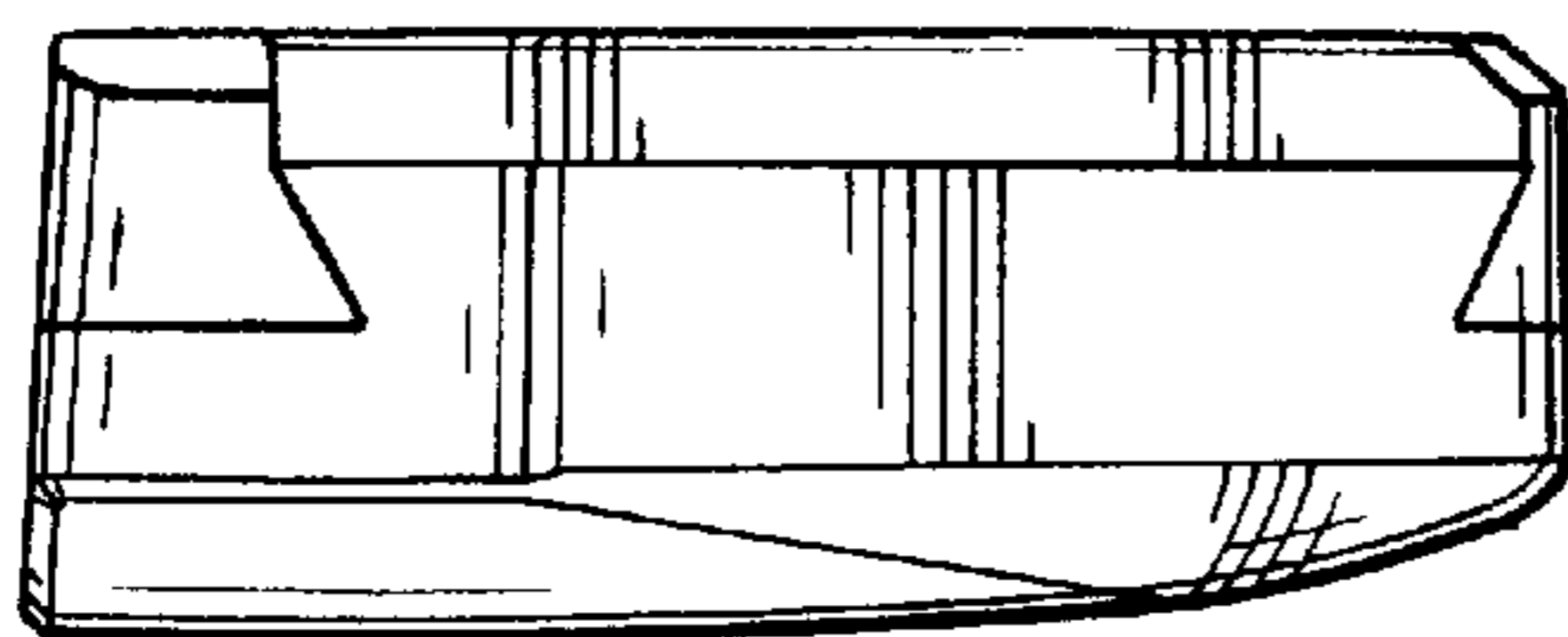
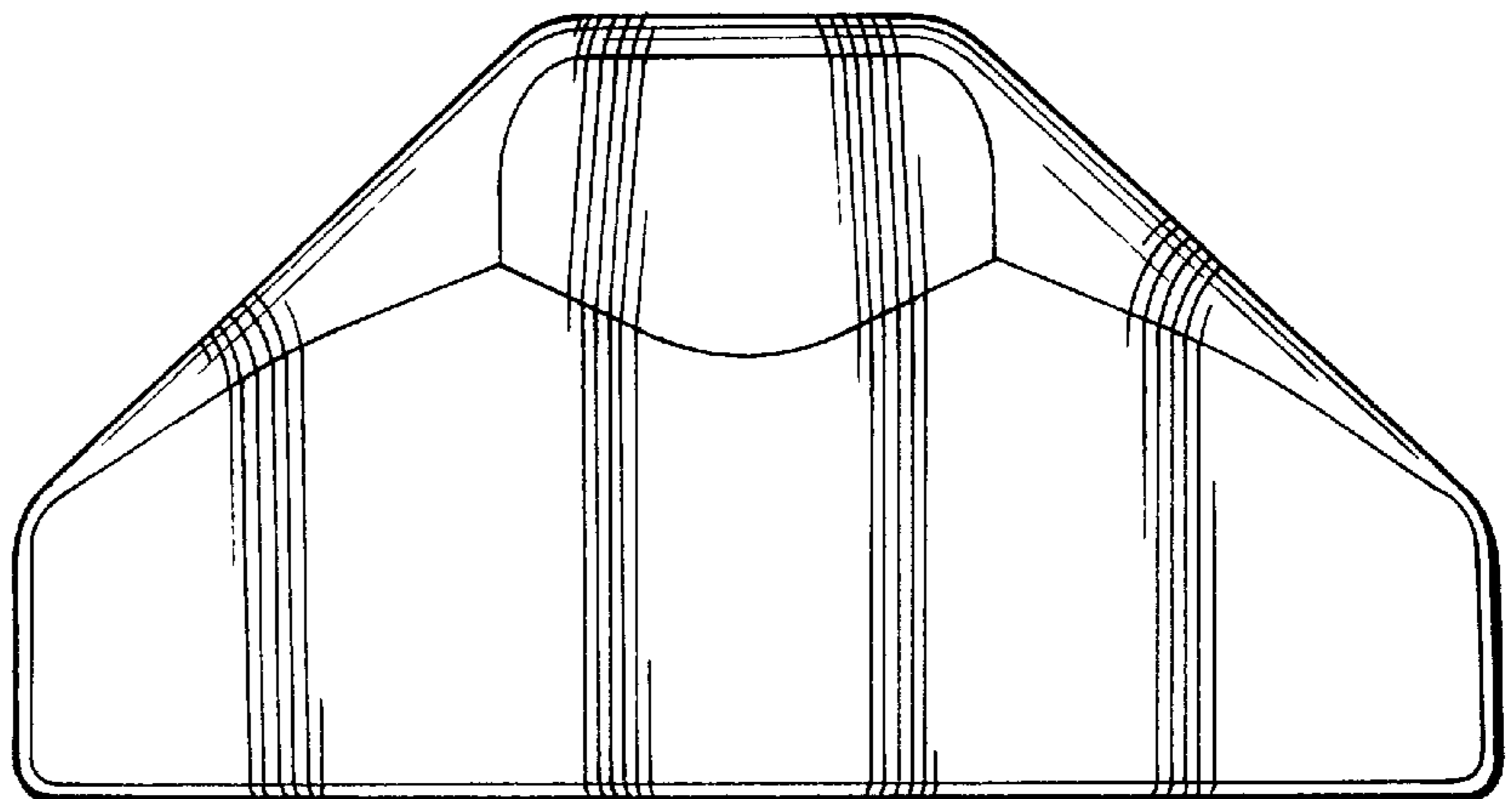


Fig-6