



US00D399286S

# United States Patent [19]

[11] **Patent Number: Des. 399,286**

**Brown et al.**

[45] **Date of Patent: \*\*Oct. 6, 1998**

[54] **COMBINED BALL TOSSING AND TEEING DEVICE**

5,597,160 1/1997 Mims ..... 273/26 R  
5,613,678 3/1997 McKee et al. .... 473/397

[75] Inventors: **Patrick Brown**, Strongsville; **Matthew R. Fuligni**, Twinsburg; **John Jeffrey Norton**, Stow; **John Nottingham**, Chagrin Falls; **John Spirk**, Gates Mills, all of Ohio

### OTHER PUBLICATIONS

Playskool, Inc. "1-2-3 Baseball" advertisement, 1 page (1994).  
Today's Kids "Pitch Hitter Baseball" assembly instructions, 4 pages (undated).

[73] Assignee: **The Little Tikes Company**, Hudson, Ohio

*Primary Examiner*—Sandra L. Morris  
*Assistant Examiner*—Mitchell I. Siegel  
*Attorney, Agent, or Firm*—Renner, Kenner, Greive, Bobak, Taylor & Weber

[\*\*] Term: **14 Years**

[21] Appl. No.: **78,615**

### [57] CLAIM

[22] Filed: **Aug. 14, 1997**

The ornamental design for a combined ball tossing and teeing device, as shown and described.

[51] **LOC (6) Cl.** ..... **21-02**

### DESCRIPTION

[52] **U.S. Cl.** ..... **D21/234**

[58] **Field of Search** ..... D21/234; 473/132, 473/134; 124/4, 41, 79, 45, 16

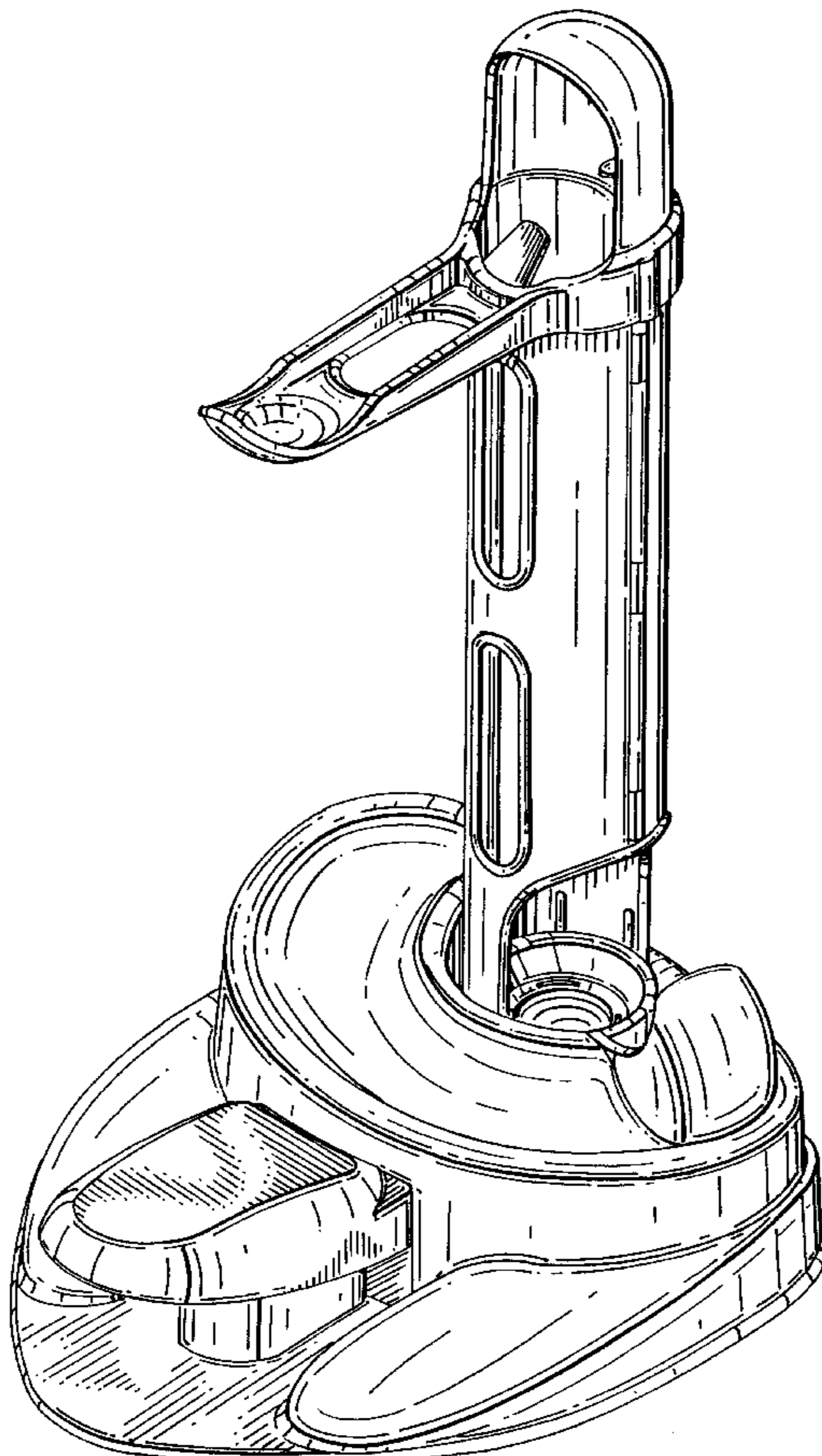
FIG. 1 is a top, front, right side perspective view of a combined ball tossing and teeing device showing our new design;  
FIG. 2 is a front elevational view thereof;  
FIG. 3 is a left side elevational view thereof;  
FIG. 4 is a rear elevational view thereof;  
FIG. 5 is a right side elevational view thereof;  
FIG. 6 is a top plan view thereof; and,  
FIG. 7 is a bottom plan view thereof.

### [56] References Cited

#### U.S. PATENT DOCUMENTS

D. 250,361	11/1978	James	.....	D34/5 R
D. 281,891	12/1985	Topp	.....	D21/210
1,262,218	4/1918	Lindenberg	.....	124/14
3,738,662	6/1973	Hodgin	.....	473/134
4,865,318	9/1989	Lehmann et al.	.....	124/16
5,207,421	5/1993	Gorvin	.....	124/45

**1 Claim, 6 Drawing Sheets**



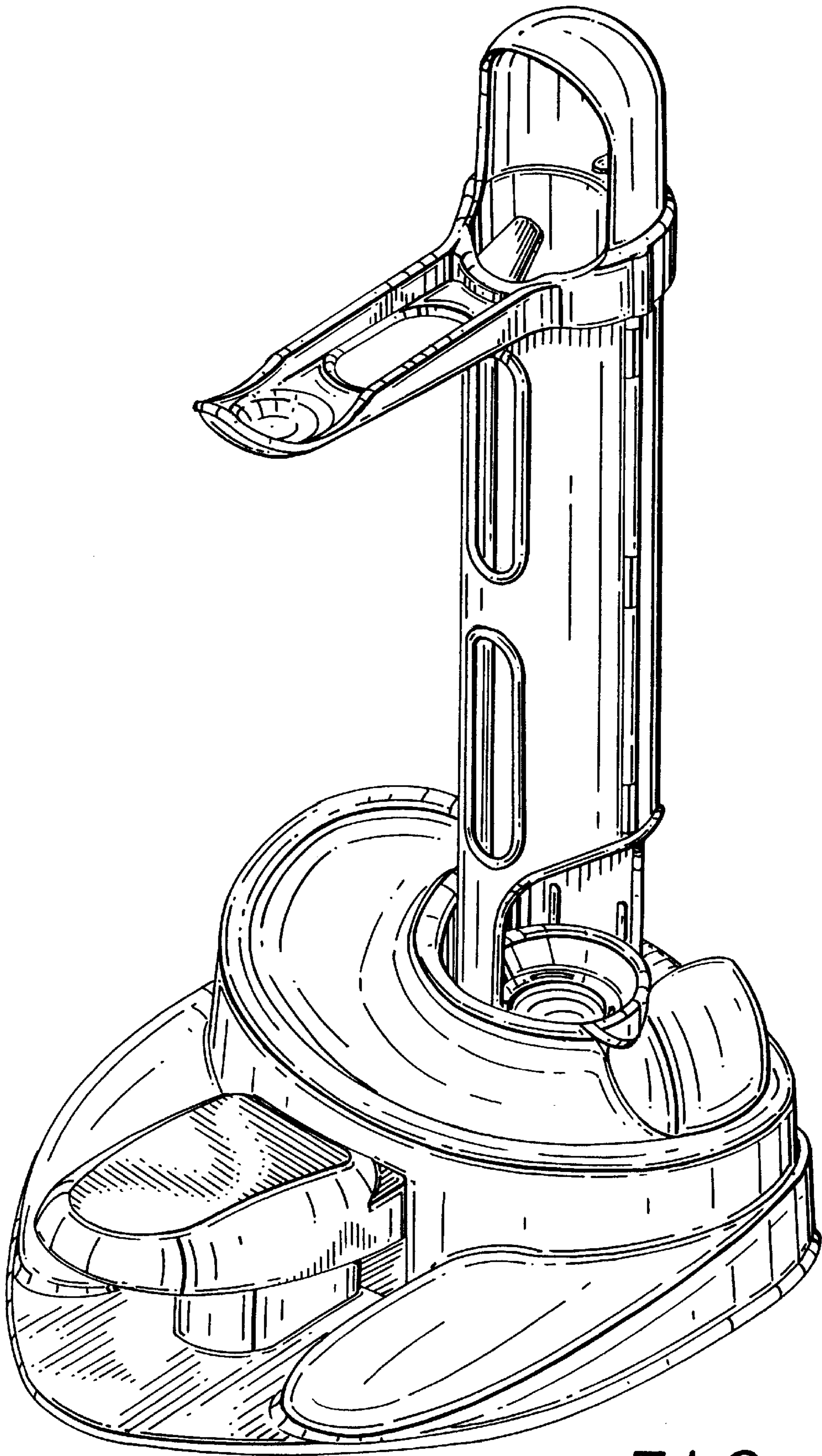


FIG. 1

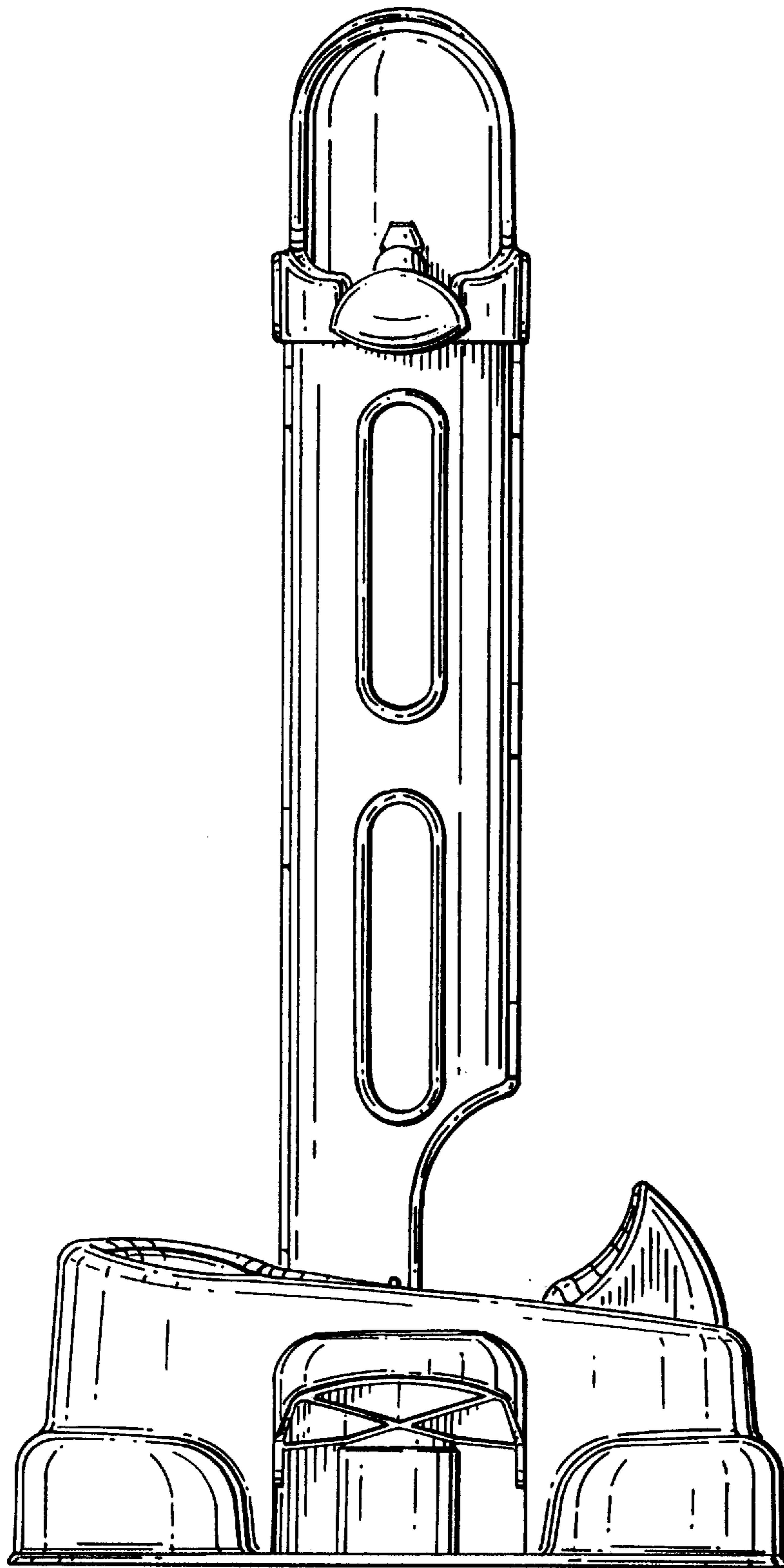


FIG. 2

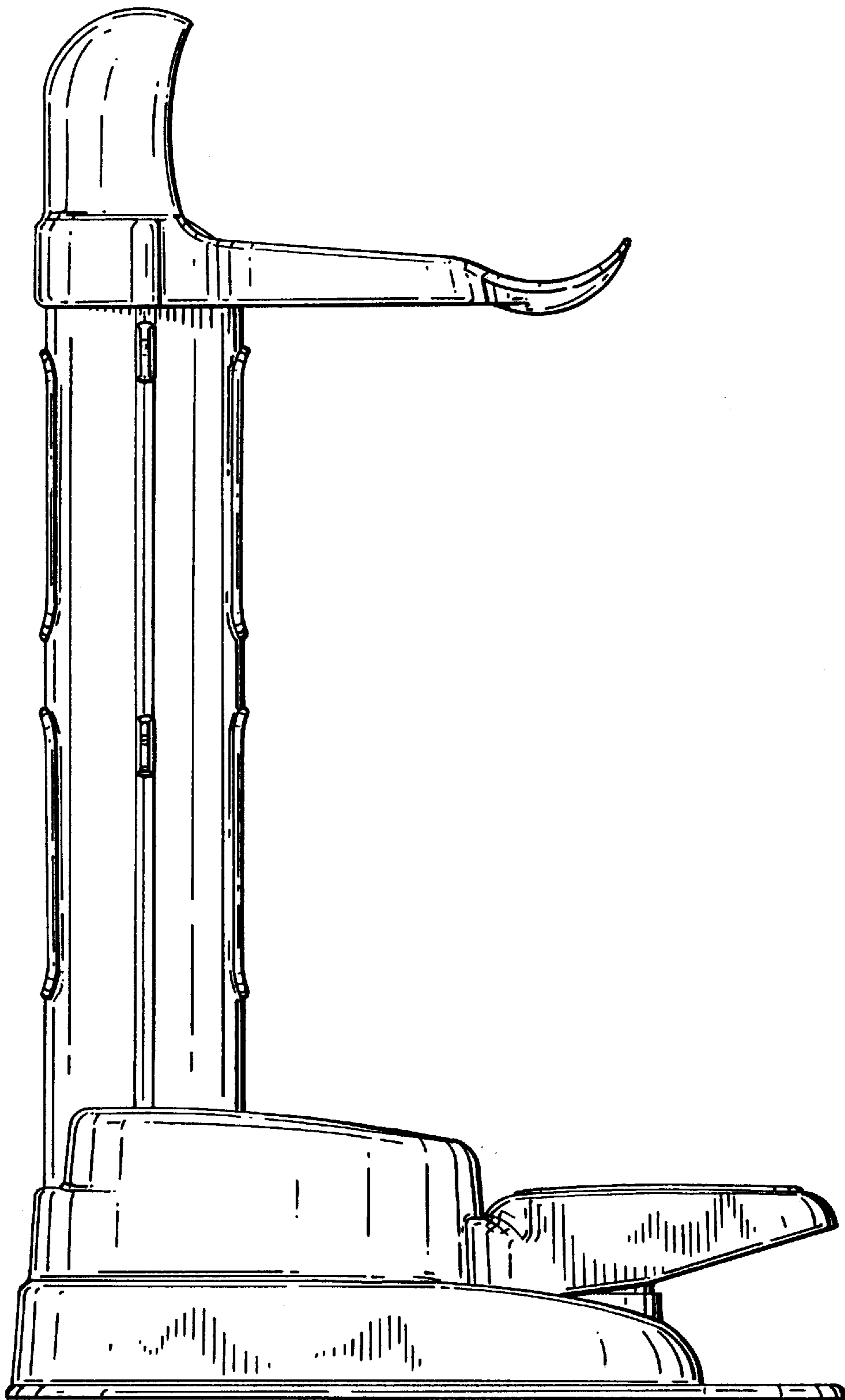


FIG. 3



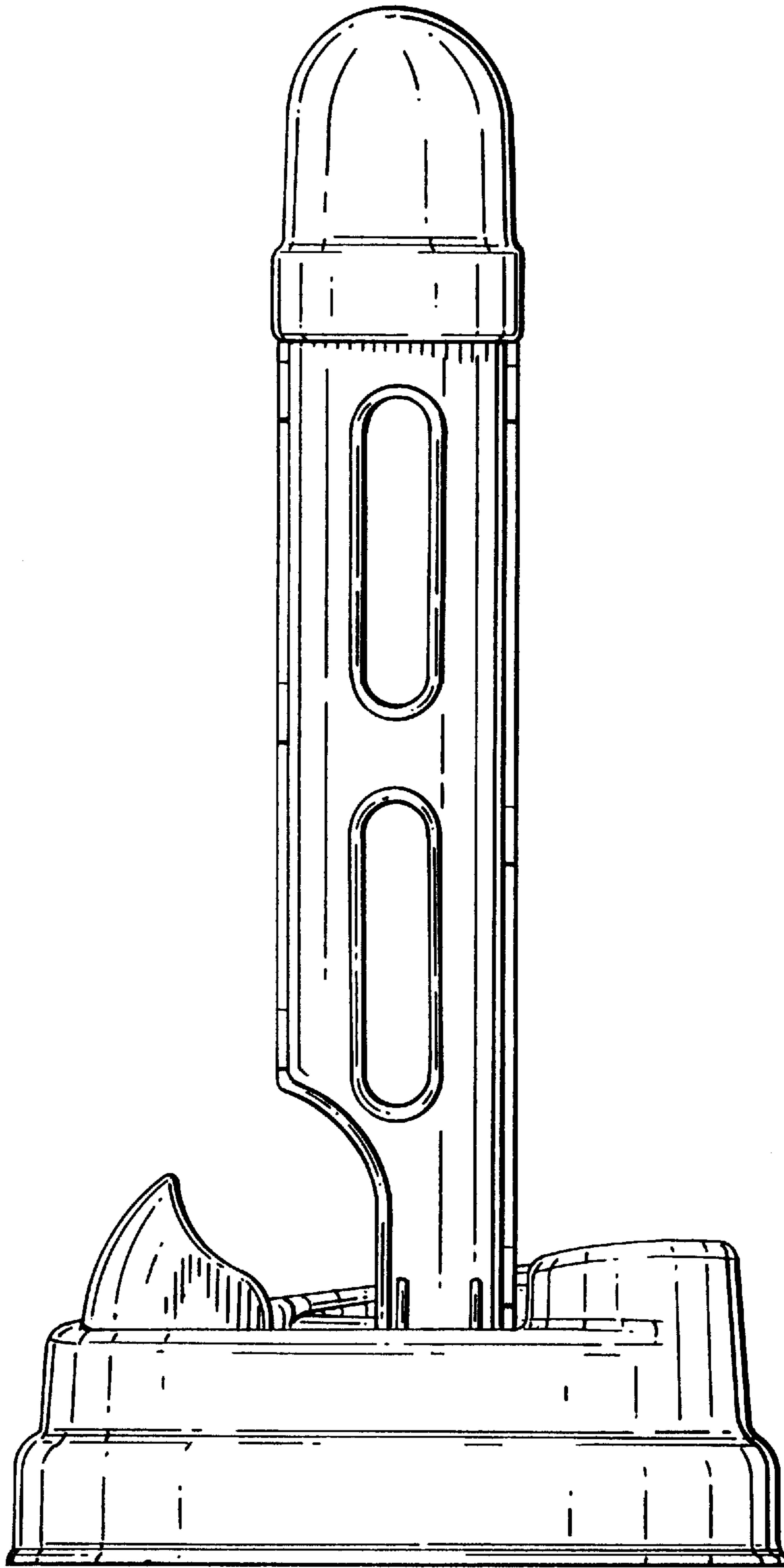


FIG. 4

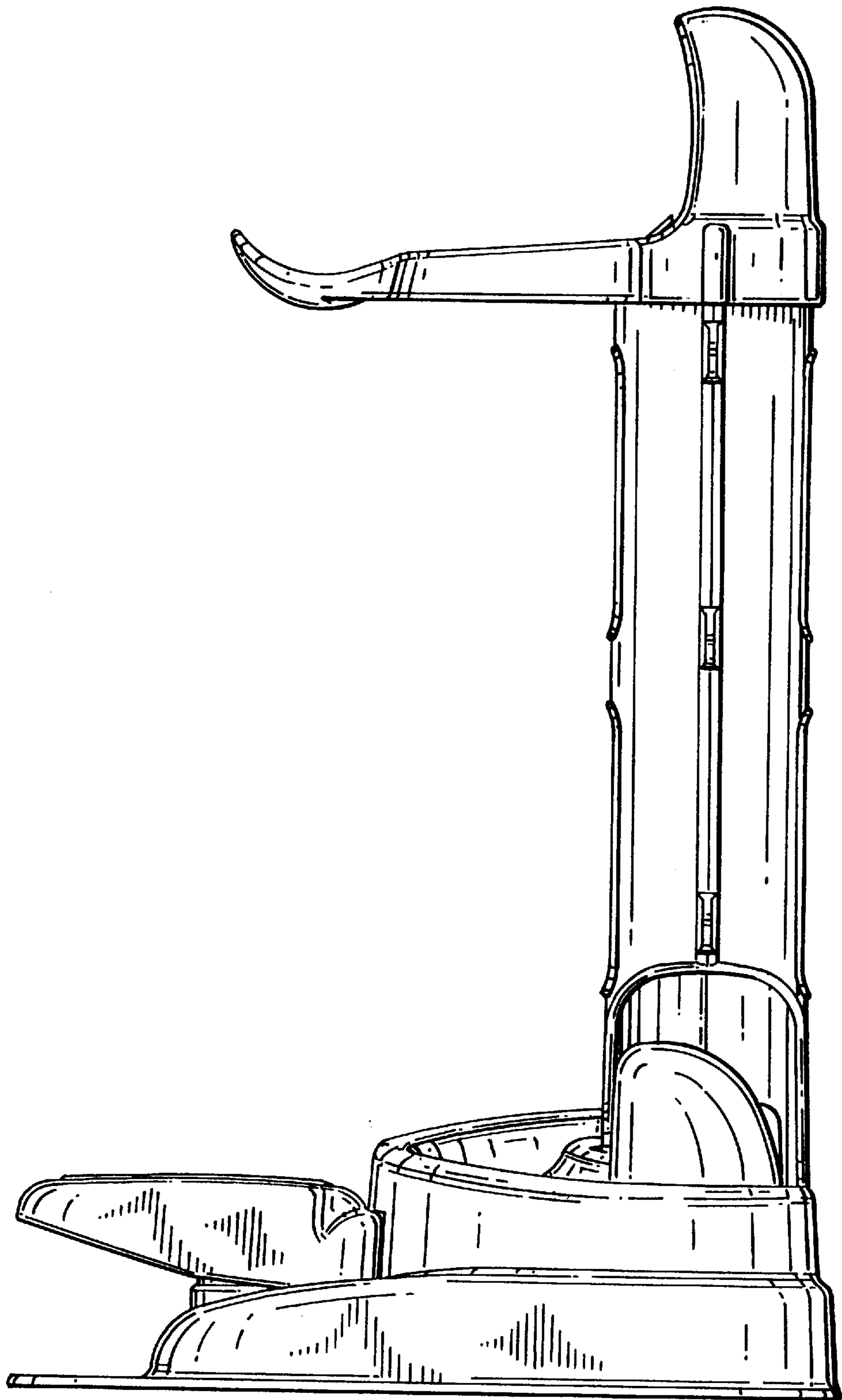


FIG. 5

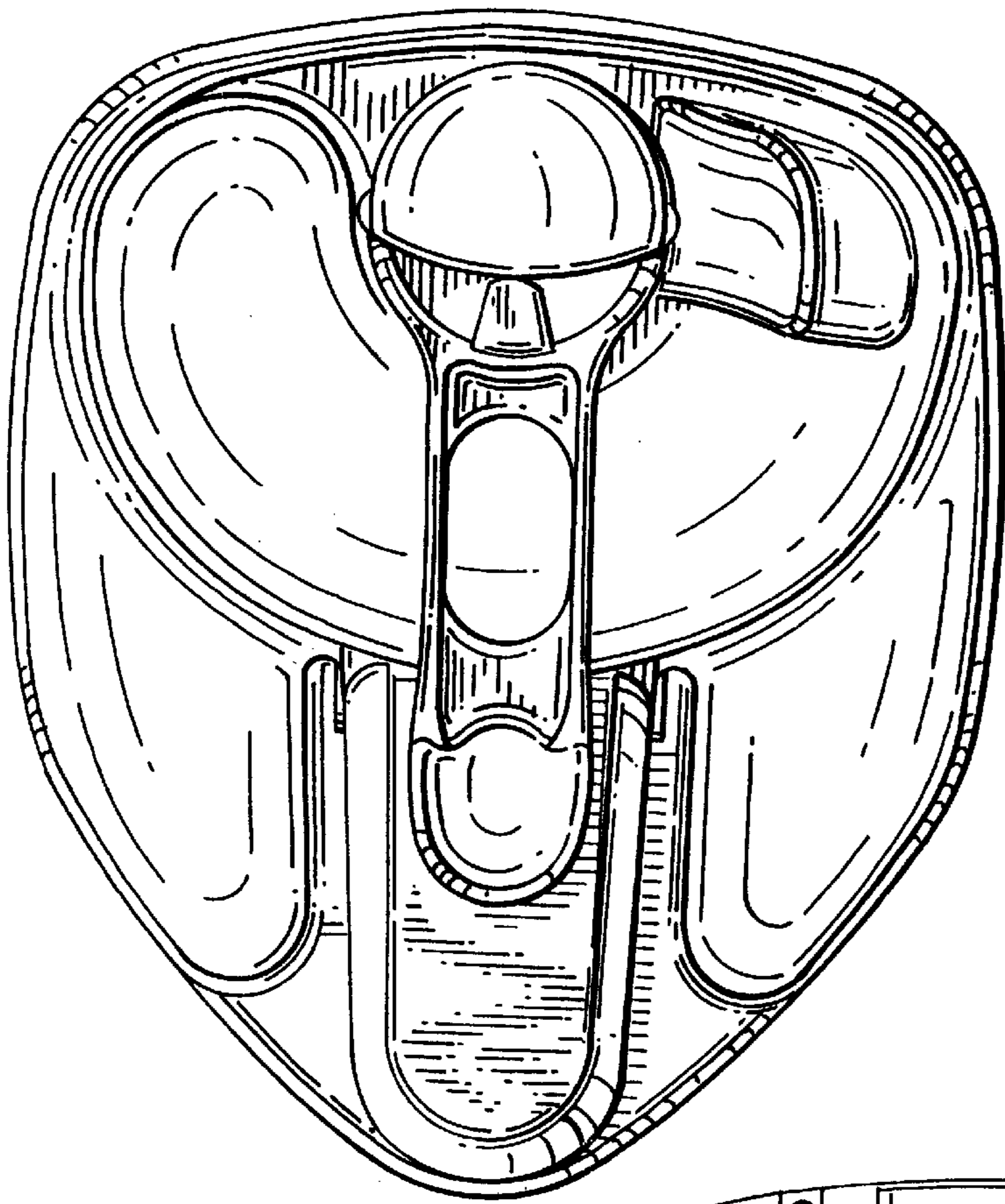


FIG. 6

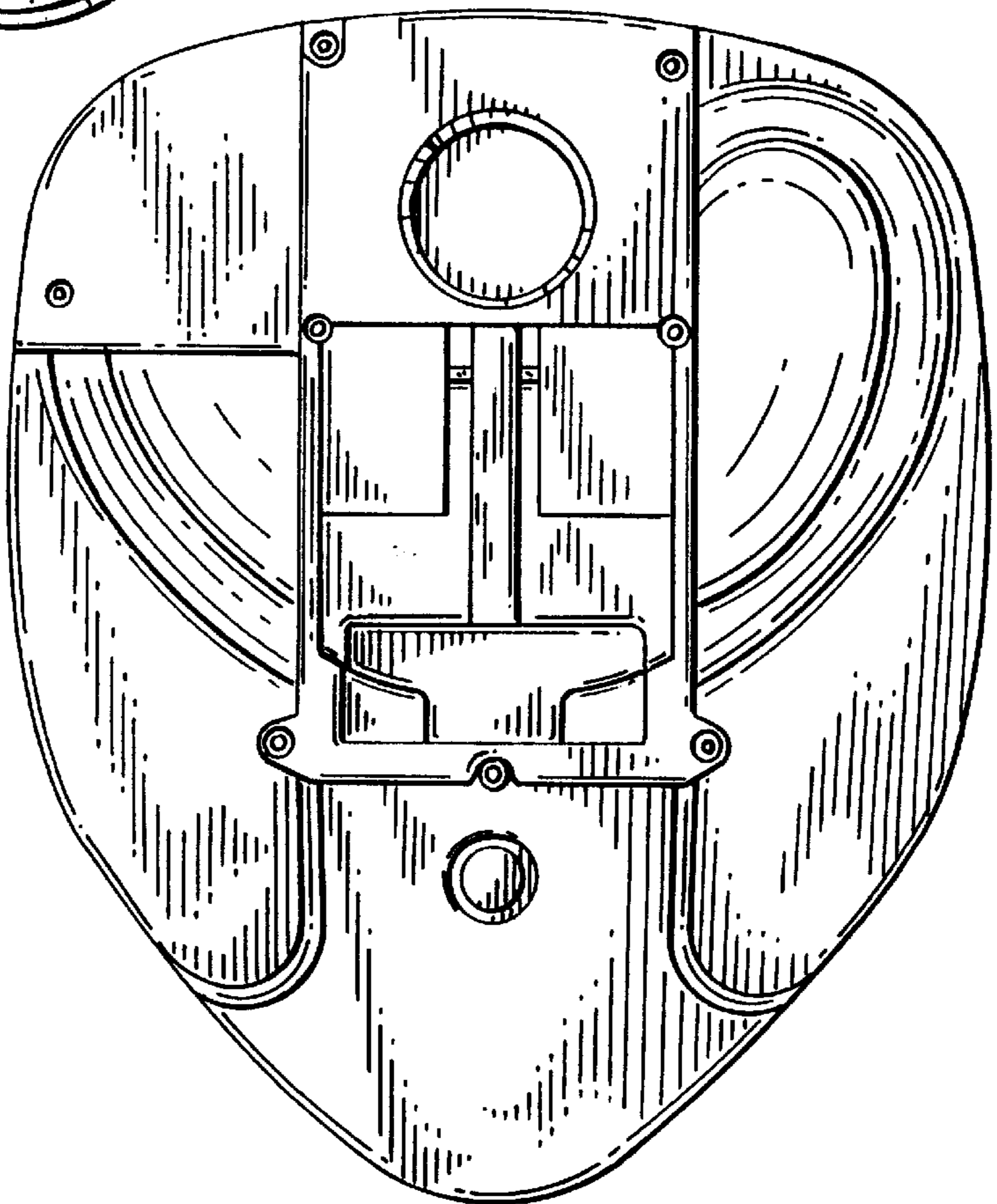


FIG. 7