



US00D399282S

United States Patent [19] Jarrett

[11] **Patent Number: Des. 399,282**

[45] **Date of Patent: **Oct. 6, 1998**

[54] **SPORTS GRIP**

[76] Inventor: **Brian Ricardo Jarrett**, P.O. Box 6368,
Tehachapi, Calif. 93582

[**] Term: **14 Years**

[21] Appl. No.: **75,009**

[22] Filed: **Aug. 11, 1997**

[51] **LOC (6) Cl. 21-02**

[52] **U.S. Cl. D21/222**

[58] **Field of Search D21/222; 473/300-303**

[56] **References Cited**

U.S. PATENT DOCUMENTS

D. 128,266	7/1941	Smith	D21/222
D. 221,345	8/1971	Dworak et al.	D21/222
D. 295,207	4/1988	Mahaffey	D21/222
1,139,843	5/1915	Brown .	
1,968,064	7/1934	Young	273/81
2,103,889	12/1937	Brisick	273/81
2,115,119	4/1938	Park	273/81
4,133,529	1/1979	Gambino	273/81
4,660,832	4/1987	Shomo	273/73
4,819,939	4/1989	Kobayashi	273/81

4,919,420	4/1990	Sato	273/81
5,261,665	11/1993	Downey	273/81
5,322,290	6/1994	Minami	273/187.5
5,397,123	3/1995	Huang	273/73
5,398,934	3/1995	Soong	273/81
5,435,549	7/1995	Chen	273/75
5,460,372	10/1995	Cook	273/81

Primary Examiner—Ted Shooman
Assistant Examiner—Mitchell I. Siegel
Attorney, Agent, or Firm—Stetina Brunda Garred & Brucker

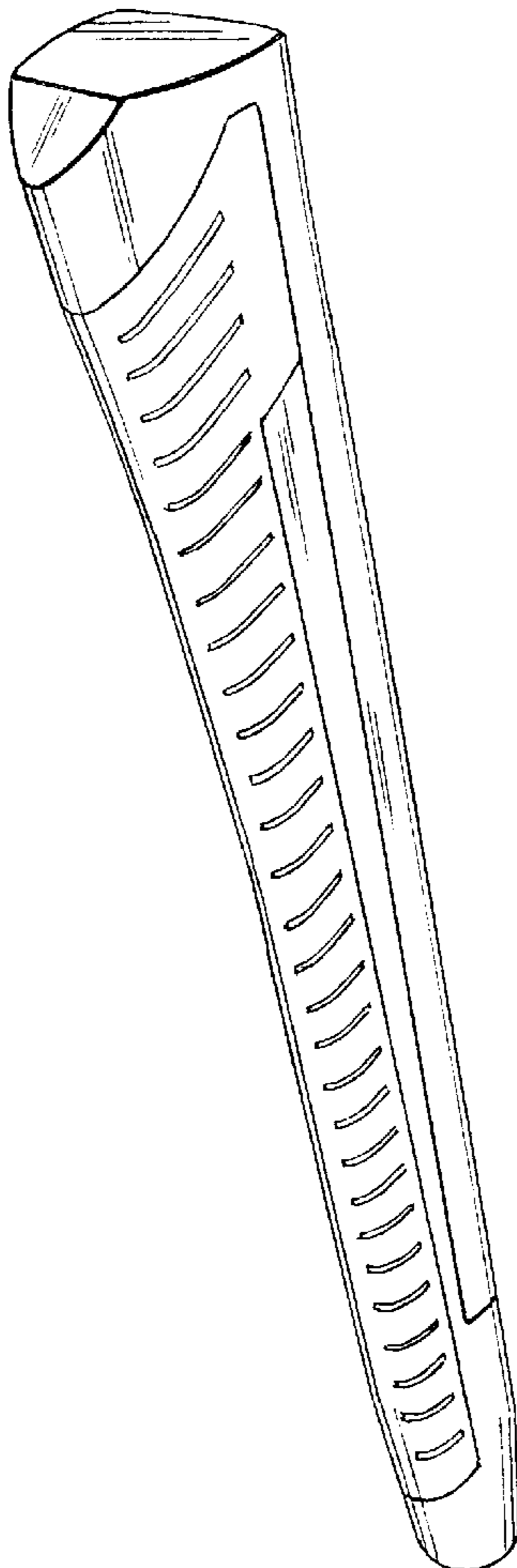
[57] **CLAIM**

The ornamental design for a sports grip, as shown and described.

DESCRIPTION

FIG. 1 is a right front perspective view of the sports grip showing my new design;
FIG. 2 is a front elevational view thereof;
FIG. 3 is a side elevational view thereof with the opposite side being a mirror image thereof; and,
FIG. 4 is a top plan view thereof.

1 Claim, 1 Drawing Sheet



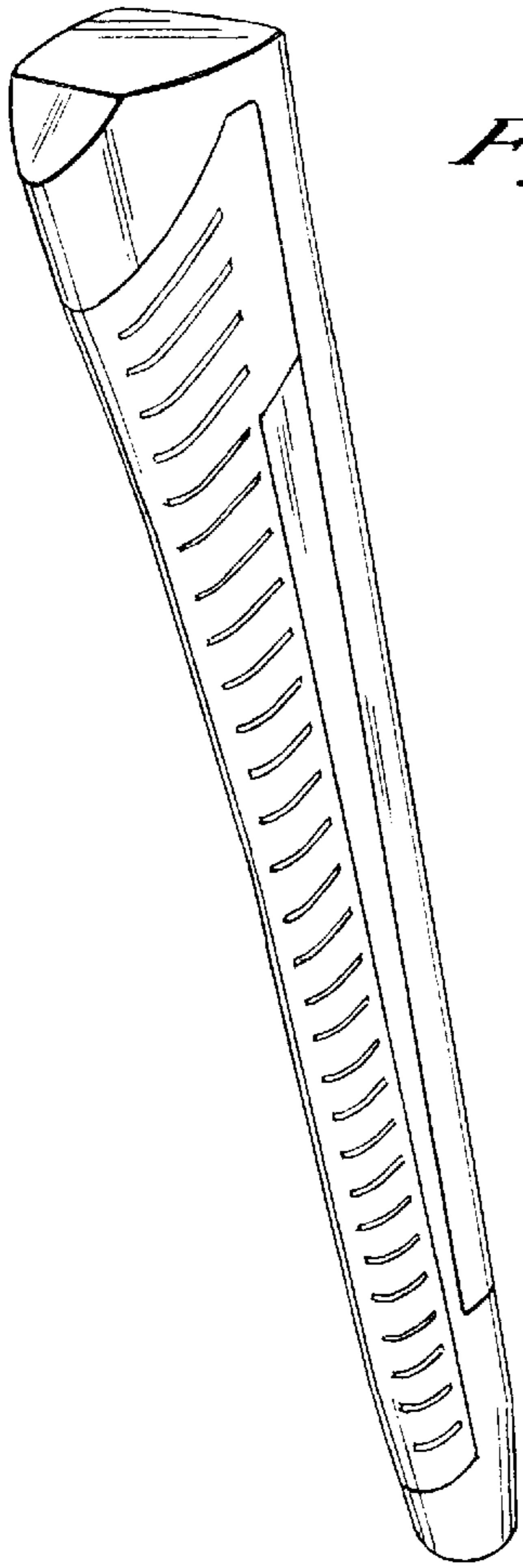


Fig. 1

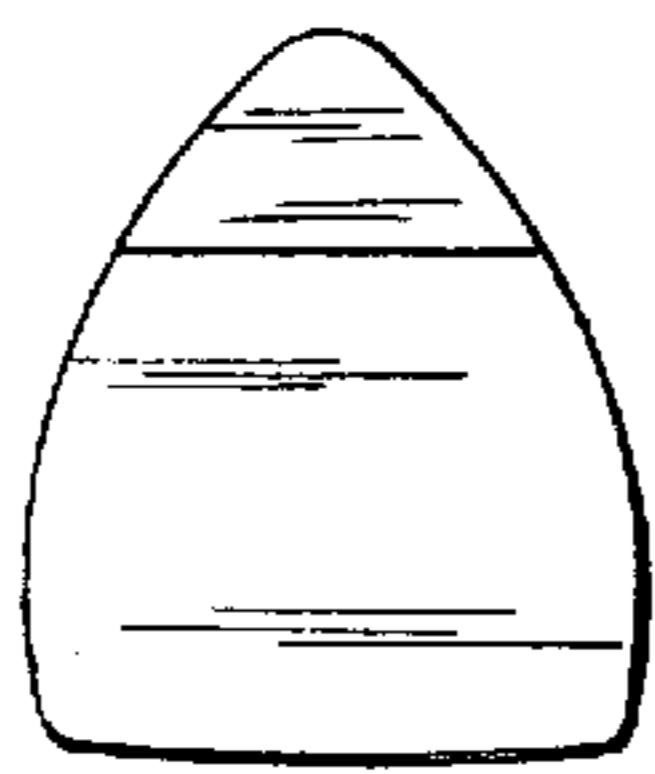


Fig. 4

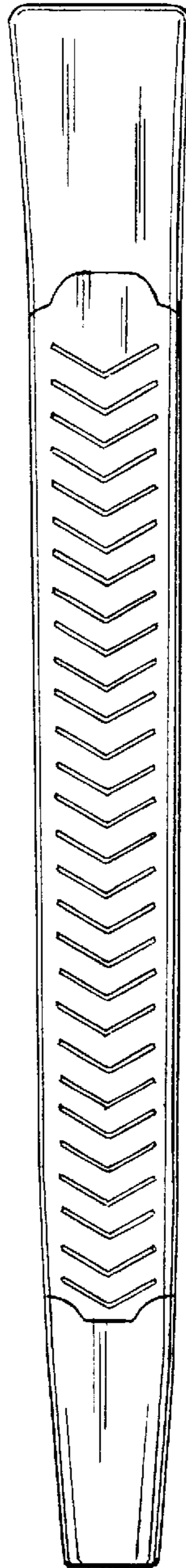


Fig. 2

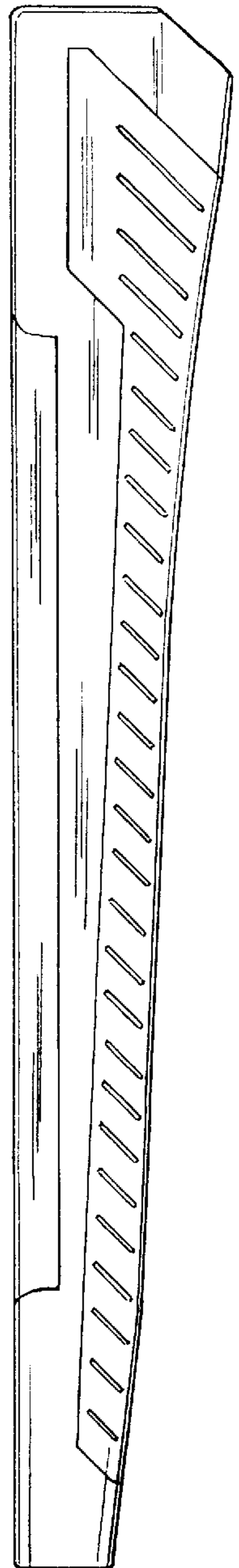


Fig. 3