



US00D399280S

United States Patent [19] Griffin

[11] Patent Number: **Des. 399,280**

[45] Date of Patent: ****Oct. 6, 1998**

[54] **BATTER'S FOOT GUIDE**

[75] Inventor: **David Griffin**, 2819 - 45th St., Highland, Ind. 46322

[73] Assignee: **David Griffin**, Highland, Ind.

[**] Term: **14 Years**

[21] Appl. No.: **63,534**

[22] Filed: **Dec. 10, 1996**

[51] **LOC (6) Cl.** **21-02**

[52] **U.S. Cl.** **D21/221**

[58] **Field of Search** D21/234, 221;
473/150, 217, 218, 266, 270; 275/26 R

[56] **References Cited**

U.S. PATENT DOCUMENTS

D. 335,696	5/1993	Byers et al.	D21/234
D. 338,701	8/1993	Weber	D21/234
D. 358,440	5/1995	Clayton et al.	D21/234
2,711,320	6/1955	Clark	473/270
3,300,219	1/1967	Sipos	473/218
3,342,487	9/1967	David .	
3,372,930	3/1968	Sertich .	
3,466,040	9/1969	Sertich .	
3,979,116	9/1976	Matchick .	
4,073,075	2/1978	O'Brien	473/217 X
4,081,918	4/1978	O'Brien	473/217 X
4,516,772	5/1985	Stratton .	
4,538,815	9/1985	Poirier	473/218

4,932,656	6/1990	Pierce .	
5,037,094	8/1991	Johnson .	
5,150,902	9/1992	Heisler .	
5,255,921	10/1993	Spence	473/218
5,385,343	1/1995	Davis, Sr. .	

OTHER PUBLICATIONS

Baseball Express catalog, vol. 1.0B—Baseball Express, 12018 Warfield, San Antonio, TX 78216–3217, p. 22, “Hollywood Bases Stride Guide” (Item D).

Primary Examiner—Sandra L. Morris
Assistant Examiner—Mitchell I. Siegel
Attorney, Agent, or Firm—James McKeown

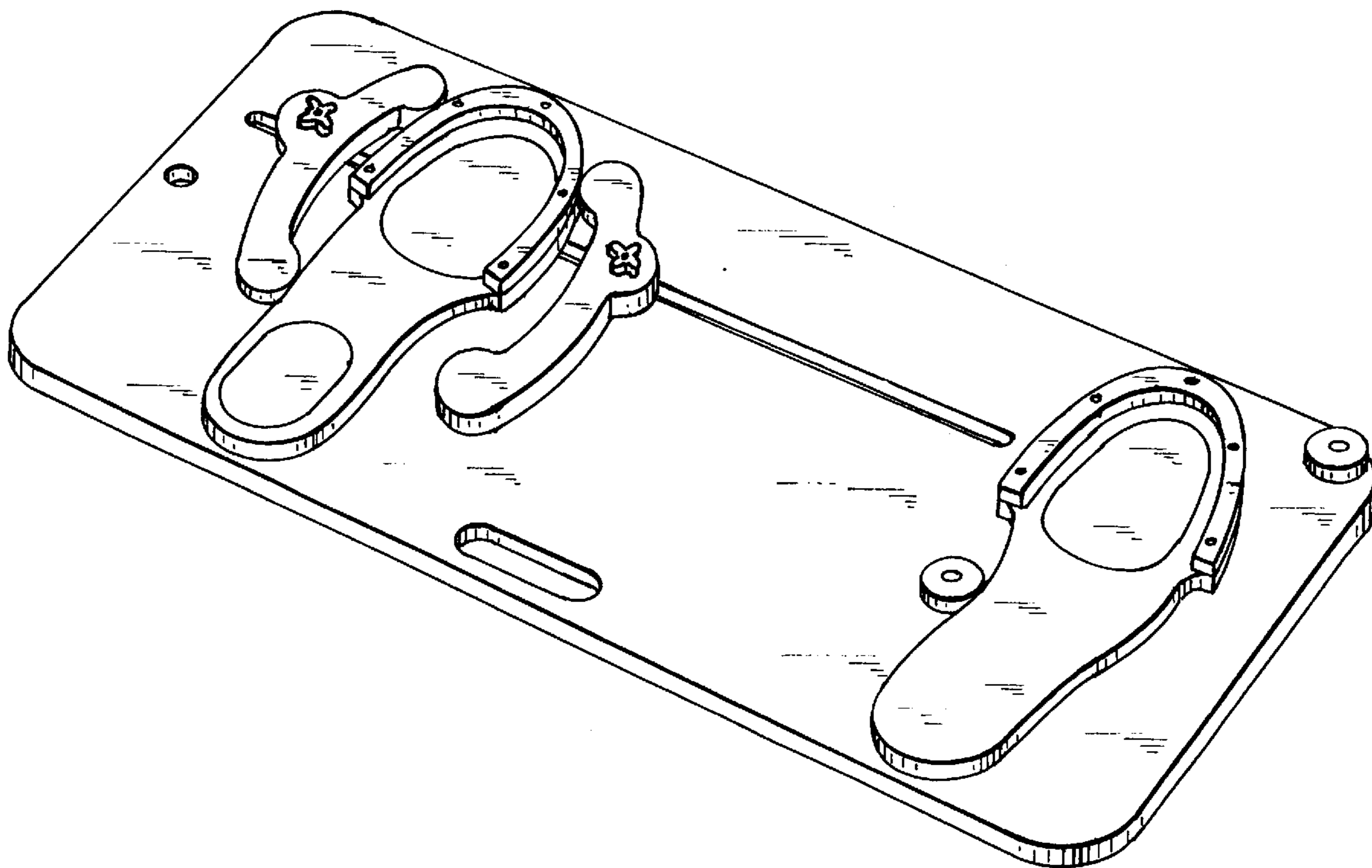
[57] **CLAIM**

The ornamental design for a batter's foot guide, as shown and described.

DESCRIPTION

FIG. 1 is a perspective view of a batter's foot guide incorporating our design;
FIG. 2 is a plane top view of the batter's foot guide of FIG. 1;
FIG. 3 is a front view of the batter's foot guide;
FIG. 4 is a plan bottom view of the batter's foot guide;
FIG. 5 is a rear view of the batter's foot guide;
FIG. 6 is a right side view of the batter's foot guide; and,
FIG. 7 is a left side view of the batter's foot guide.

1 Claim, 2 Drawing Sheets



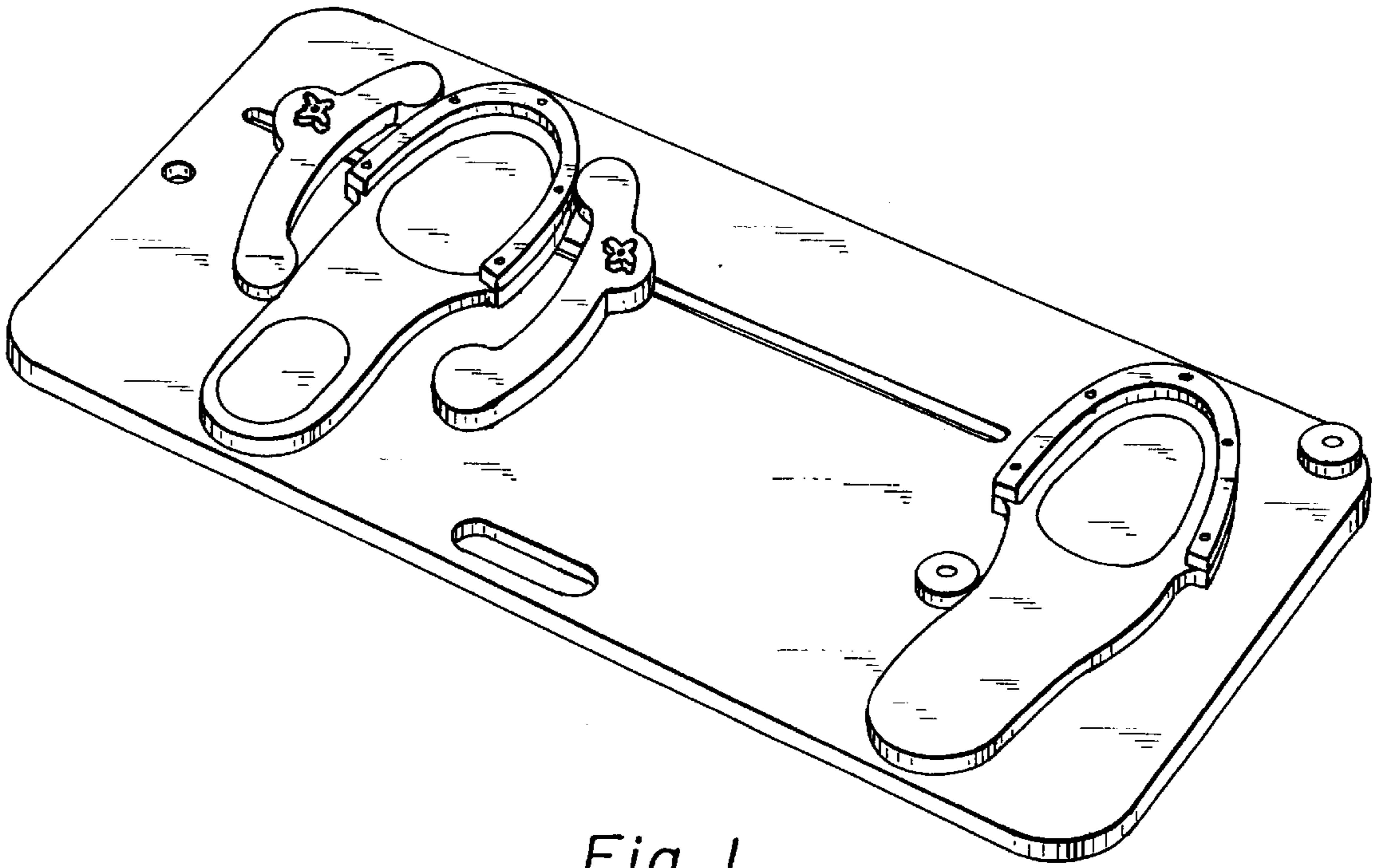


Fig. 1

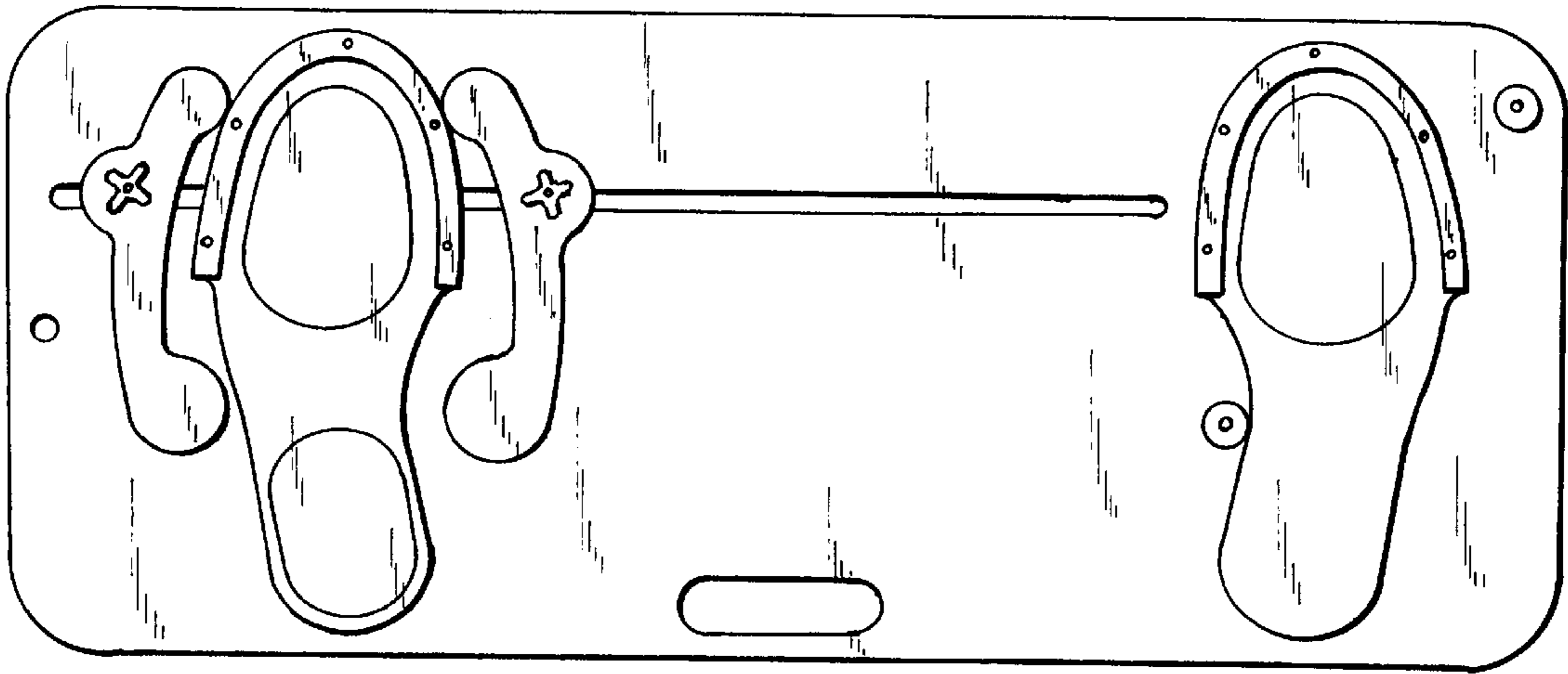


Fig. 2

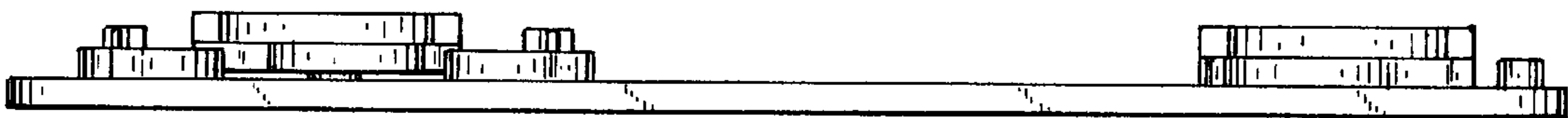


Fig. 3

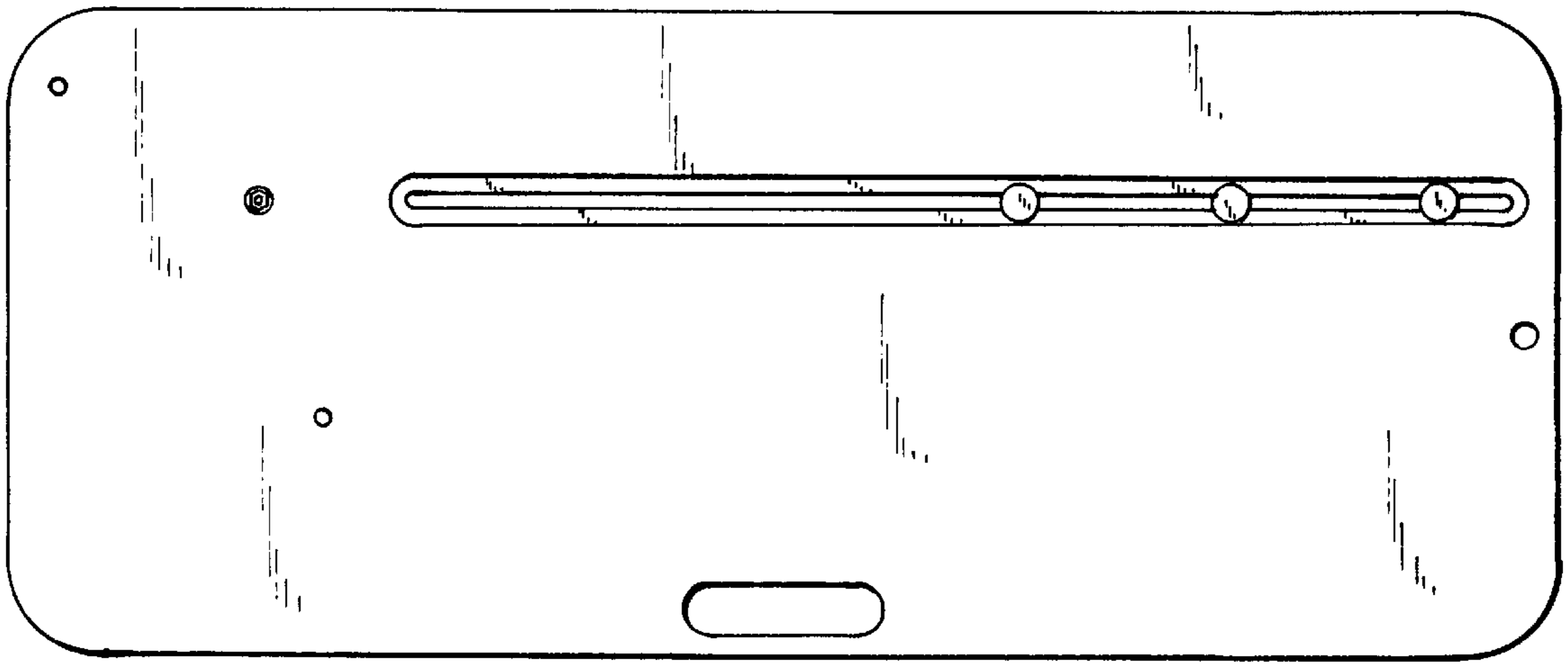


Fig. 4



Fig. 5

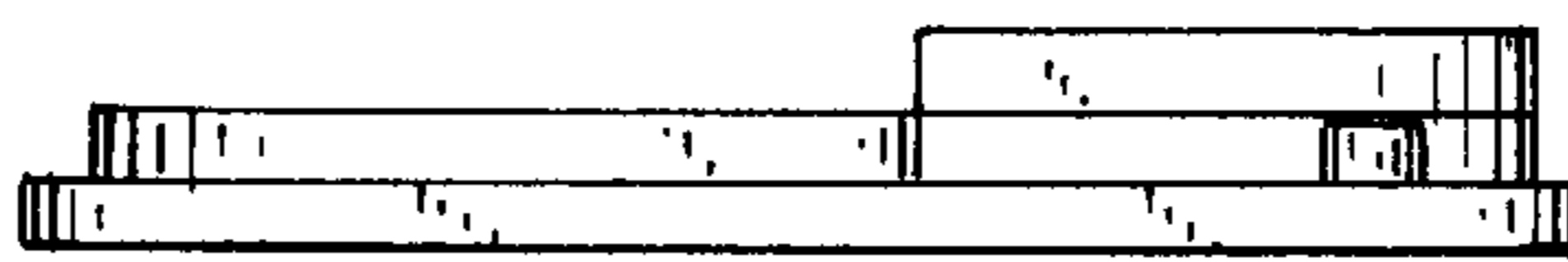


Fig. 6

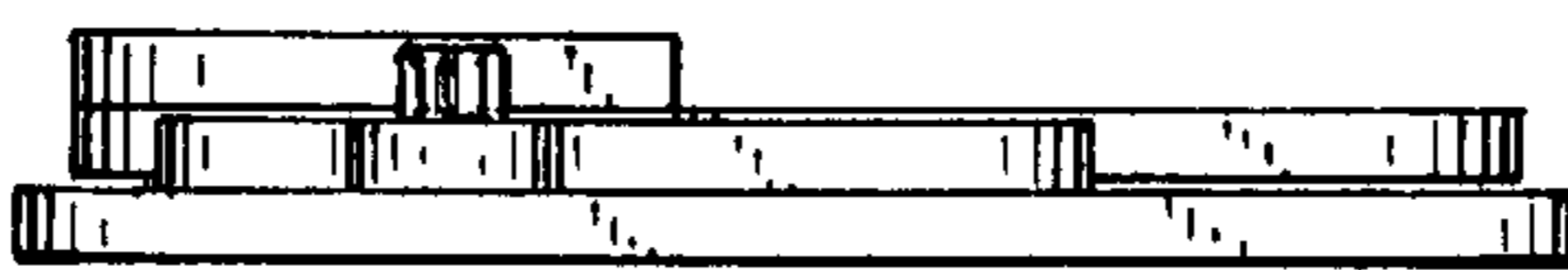


Fig. 7