



US00D399276S

United States Patent [19]

[11] Patent Number: **Des. 399,276**

Hettinger et al.

[45] Date of Patent: ****Oct. 6, 1998**

[54] **GOLF CLUB HEAD HAVING FACE INSERT**

[75] Inventors: **Ronald K. Hettinger**, Oceanside;
Thomas C. Morris, Carlsbad; **Brian R. Pond**, San Marcos, all of Calif.

5,380,004 1/1995 Taramoto et al. .
5,472,201 12/1995 Aizawa et al. .
5,547,426 8/1996 Wood .
5,549,296 8/1996 Gilbert .
5,643,103 7/1997 Aizawa 473/350 X

[73] Assignee: **Odyssey Golf**, Carlsbad, Calif.

OTHER PUBLICATIONS

[**] Term: **14 Years**

Golf Day; p. 6; Honors iron, middle right of page, Jul. 1994.

[21] Appl. No.: **65,158**

Primary Examiner—Ted Shooman
Assistant Examiner—Mitchell I. Siegel
Attorney, Agent, or Firm—Joseph H. Lee

[22] Filed: **Jan. 22, 1997**

[51] **LOC (6) Cl.** **21-02**

[52] **U.S. Cl.** **D21/220**

[58] **Field of Search** D21/220; 473/330,
473/331, 350, 327, 328

[57] CLAIM

The ornamental design for a golf club head having face insert, as shown and described.

[56] References Cited

DESCRIPTION

U.S. PATENT DOCUMENTS

D. 27,910	6/1897	Cran .	
D. 55,278	5/1920	Kraeuter	D21/220
D. 196,098	8/1963	Davis, Jr.	D21/220
D. 210,033	1/1968	Johnston	D21/220
D. 228,564	10/1973	Braly	D21/220
D. 257,736	12/1980	Lyon et al.	D21/220
D. 357,520	4/1995	Helmstetter et al. .	
D. 360,445	7/1995	Schmidt et al. .	
D. 376,632	12/1996	Simmons .	
835,735	11/1906	Robertson	473/350
2,034,936	3/1936	Barnhart .	
2,846,228	8/1958	Reach .	
3,079,157	2/1963	Turner	473/350 X
3,810,631	5/1974	Braly .	
4,211,416	7/1980	Swanson .	
4,850,593	7/1989	Nelson .	
4,884,812	12/1989	Nagasaki et al. .	
5,016,883	5/1991	Kobayashi .	
5,154,425	10/1992	Niskanen et al. .	
5,176,384	1/1993	Sata et al. .	
5,198,062	3/1993	Chen .	

FIG. 1 is a toe end front perspective view of the golf club head having face insert embodying our new design;
FIG. 2 is a top plan view viewed along lines 2—2 of FIG. 1;
FIG. 3 is a front elevational view of the golf club head having face insert shown in FIG. 1;
FIG. 4 is a bottom plan view of the golf club head having face insert shown in FIG. 1;
FIG. 5 is a rear elevational view of the golf club head having face insert shown in FIG. 1;
FIG. 6 is a toe end view of the golf club head having face insert shown in FIG. 1;
FIG. 7 is a heel end view of the golf club head having face insert shown in FIG. 1; and,
FIG. 8 is a heel end rear perspective view of the golf club head having face insert of FIG. 1.

The characteristic feature of our new design resides in the combination of the overall face profile, the shape of the outer profile of the face insert, and the par area transition of the sole and blade back face surfaces into the hosel.

1 Claim, 3 Drawing Sheets

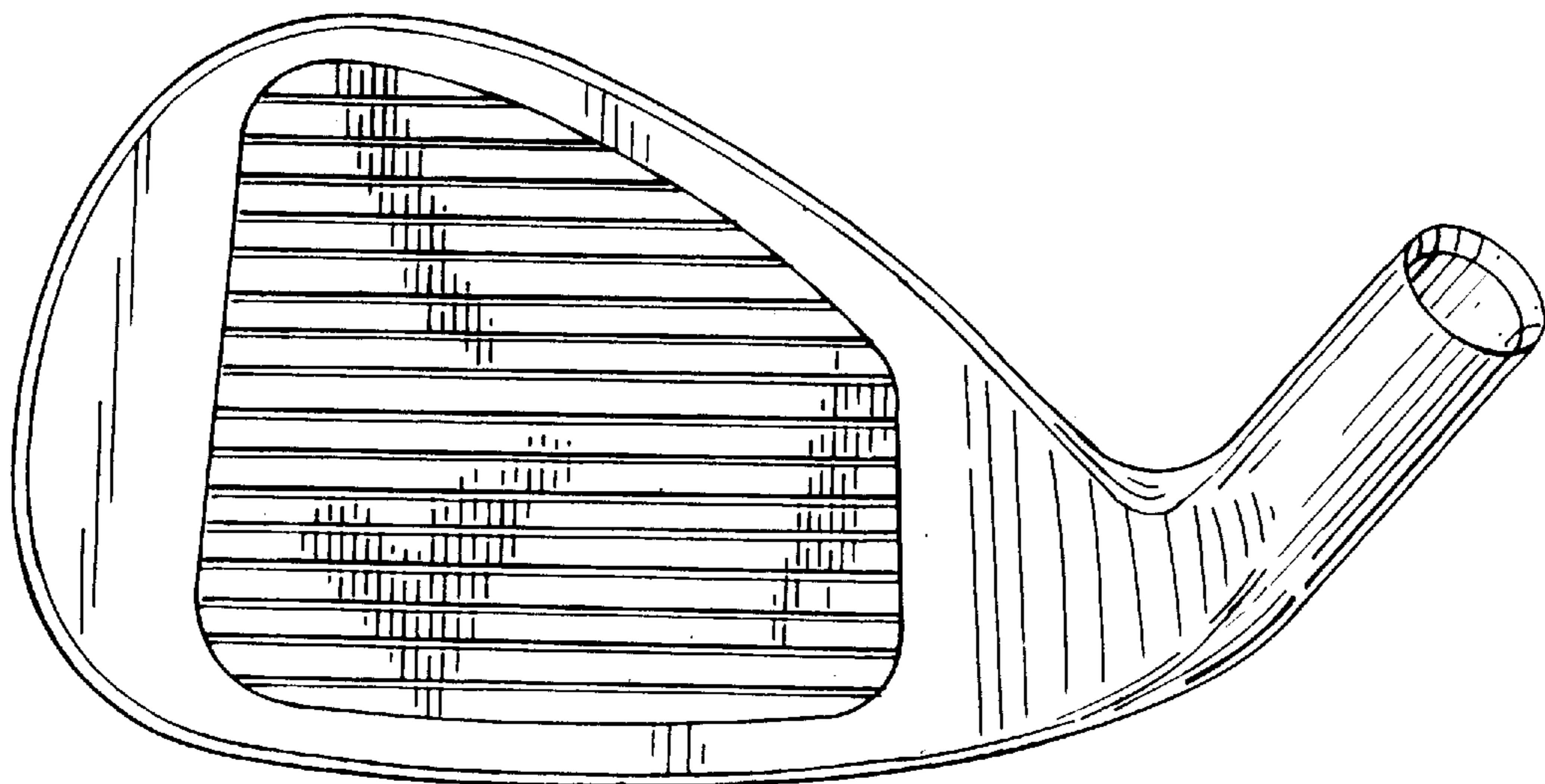


FIG. 1

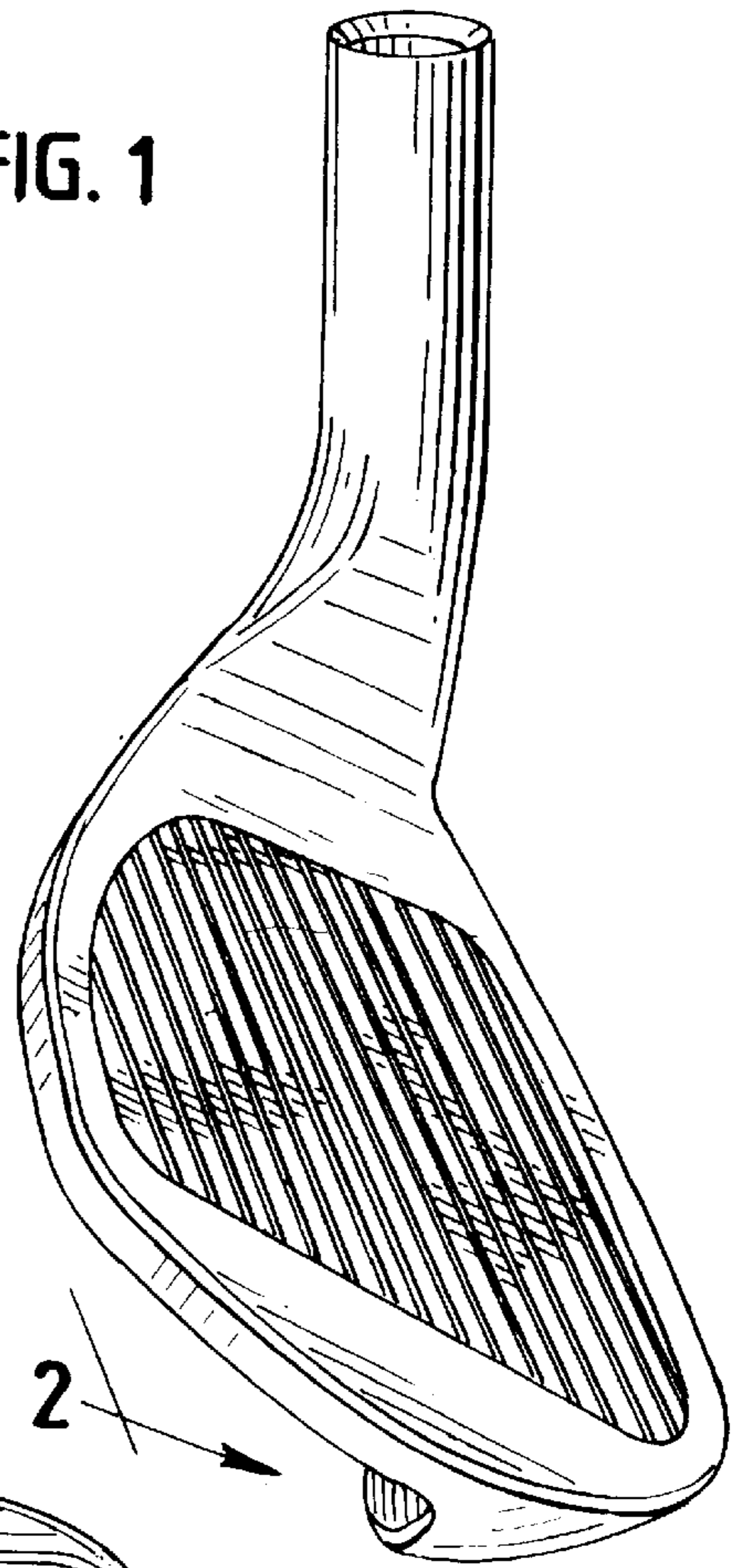
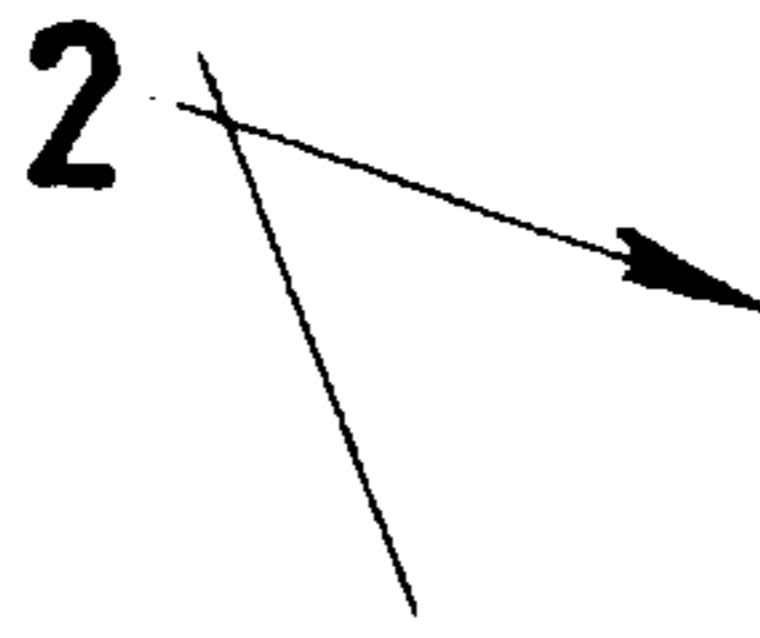


FIG. 2

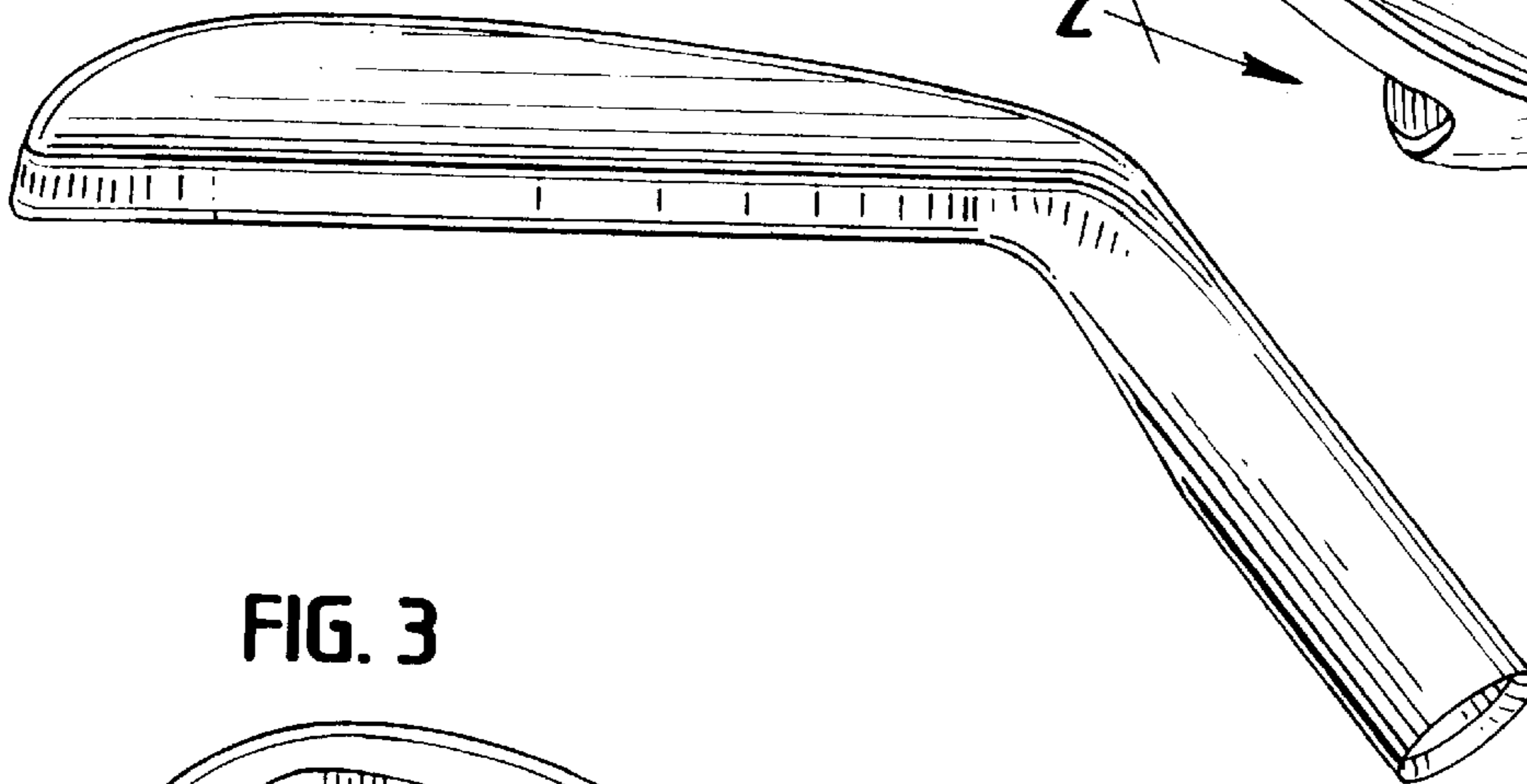


FIG. 3

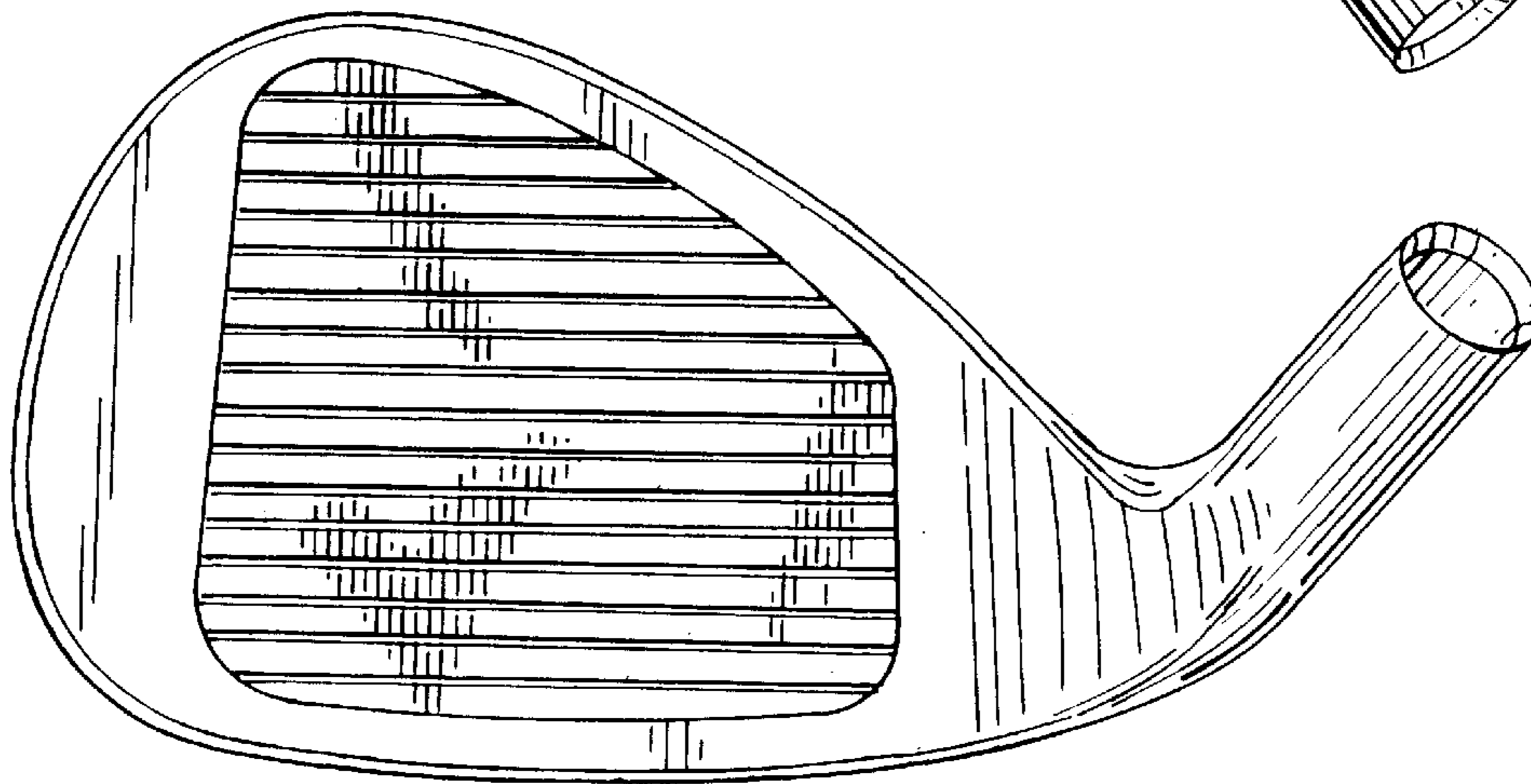


FIG. 4

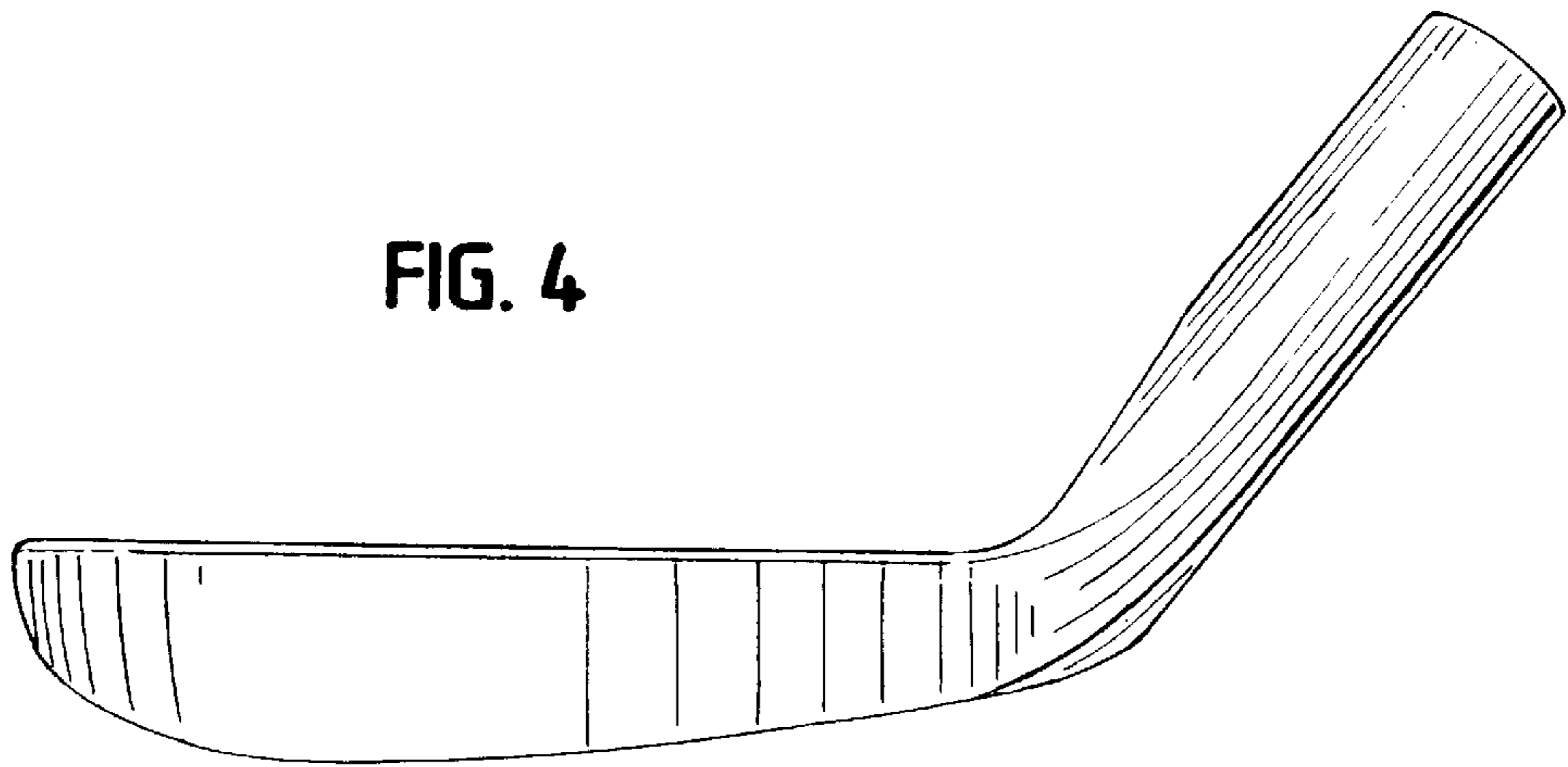


FIG. 5

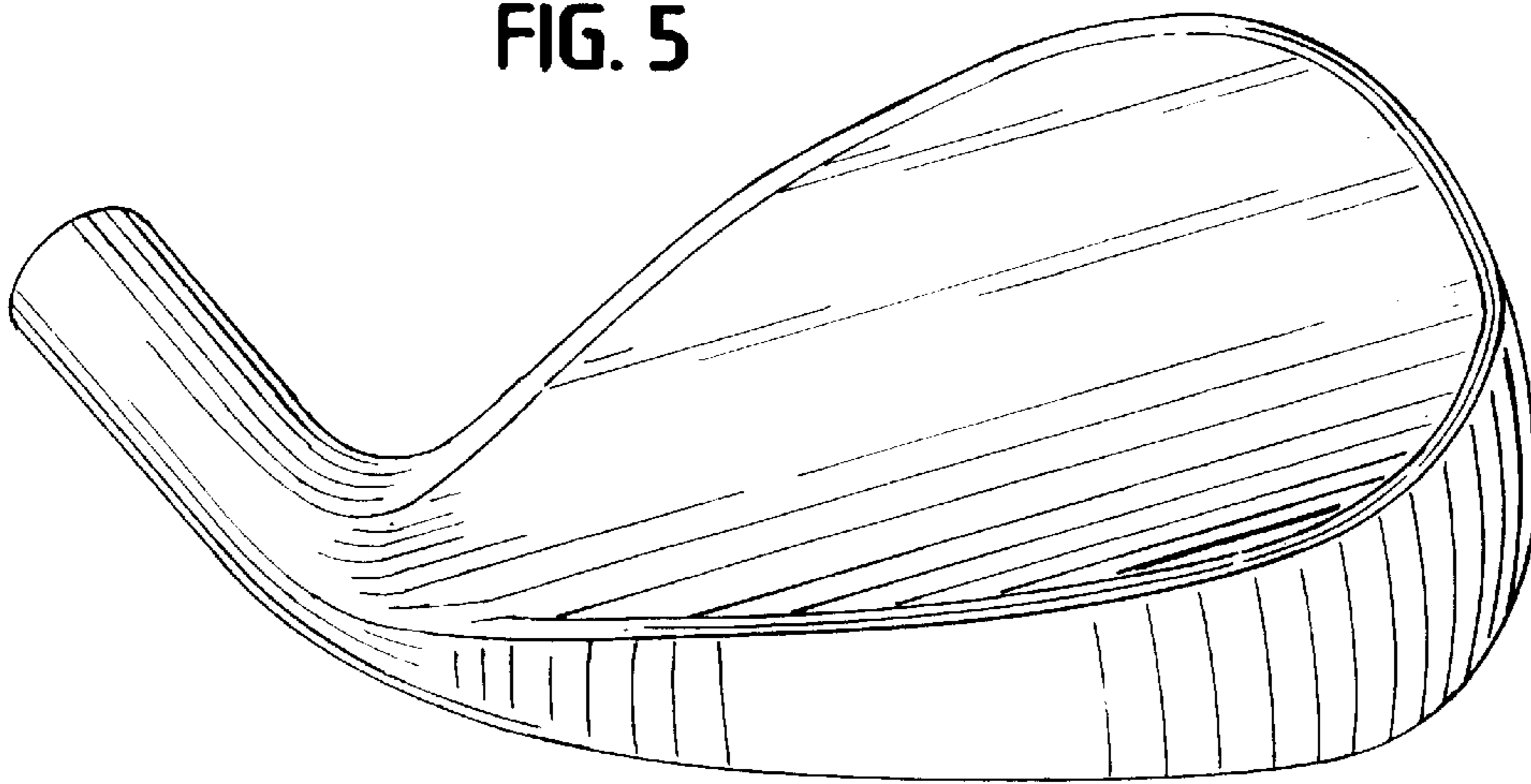


FIG. 6

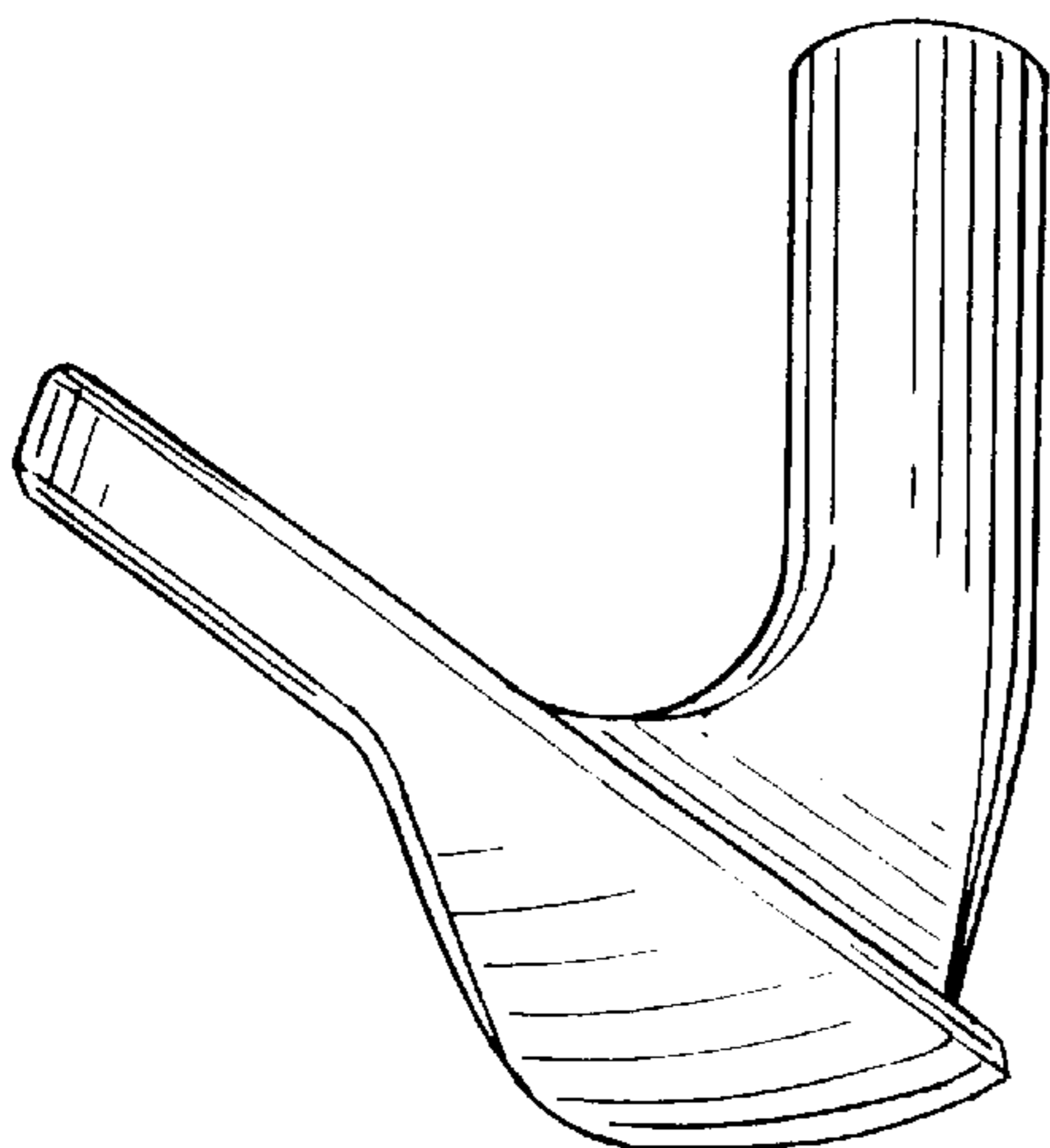


FIG. 7

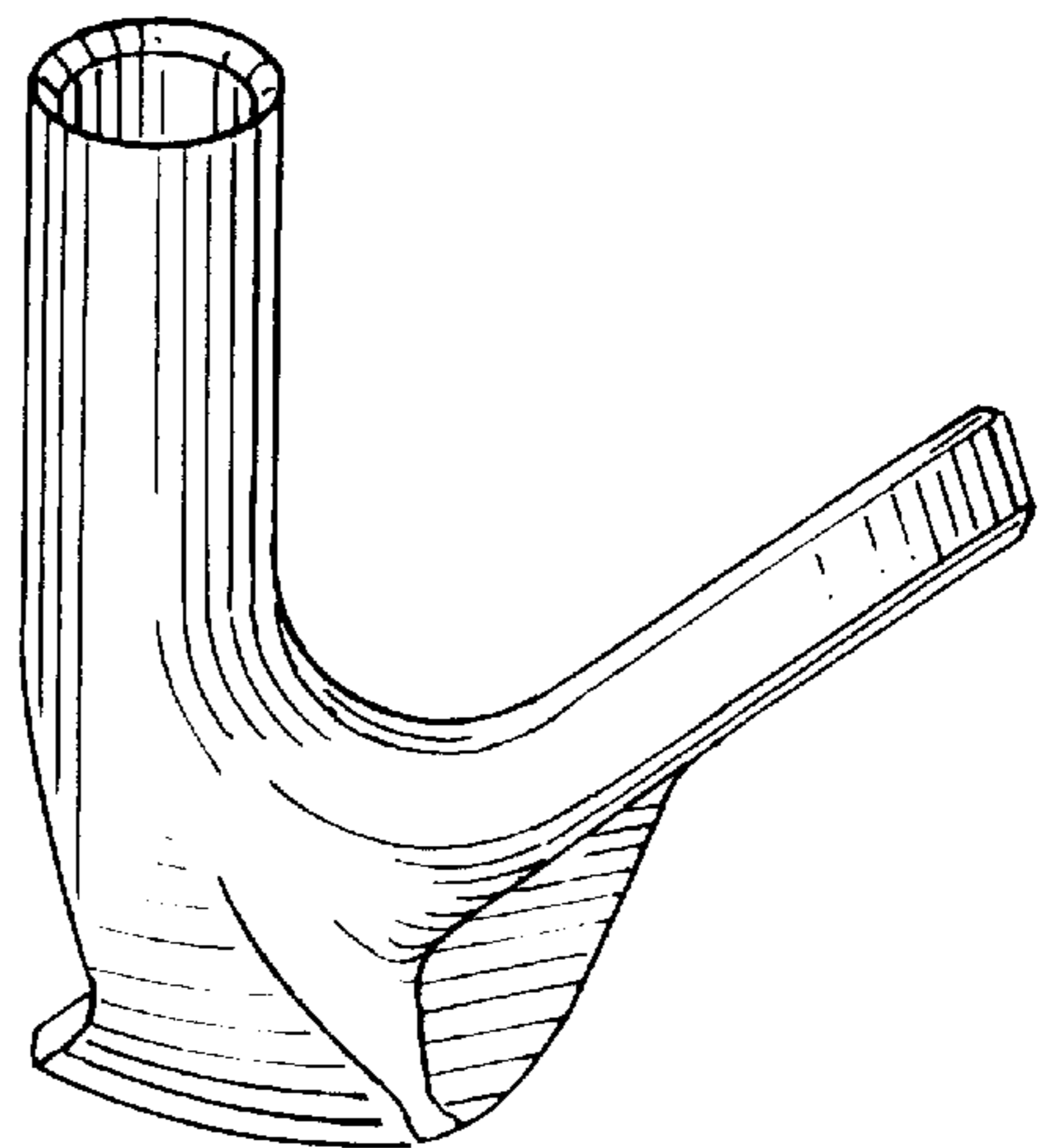


FIG. 8

