



US00D399274S

United States Patent [19]
Bradford

[11] **Patent Number: Des. 399,274**

[45] **Date of Patent: **Oct. 6, 1998**

[54] **PUTTING HEAD FOR A GOLF CLUB**

5,580,058 12/1996 Coughlin 473/341 X
5,645,493 7/1997 Garcia 473/341 X

[76] Inventor: **Brent W. Bradford**, 3112 Goodview Trail, Hollywood, Calif. 90068

Primary Examiner—Sandra L. Morris
Assistant Examiner—Mitchell J. Siegel
Attorney, Agent, or Firm—Morland C. Fischer

[**] Term: **14 Years**

[21] Appl. No.: **71,313**

[57] **CLAIM**

[22] Filed: **May 27, 1997**

The ornamental design for a putting head for a golf club, as shown and described.

[51] **LOC (6) Cl.** **21-02**

DESCRIPTION

[52] **U.S. Cl.** **D21/217**

[58] **Field of Search** D21/217-219;
473/324, 340, 341, 251-256

FIG. 1 is a perspective view showing the front, top, and left side of a putting head for a golf club which forms my invention;

[56] **References Cited**

U.S. PATENT DOCUMENTS

D. 137,064	1/1944	Roberts	D21/210
D. 229,844	1/1974	Pavelle	D21/219
D. 350,177	8/1994	Ramirez et al.	D21/217
D. 359,330	6/1995	Channell	D21/217
D. 381,382	7/1997	Fenton, Jr.	D21/217
3,966,210	6/1976	Rozmus	473/341

FIG. 2 is a front elevational view thereof;

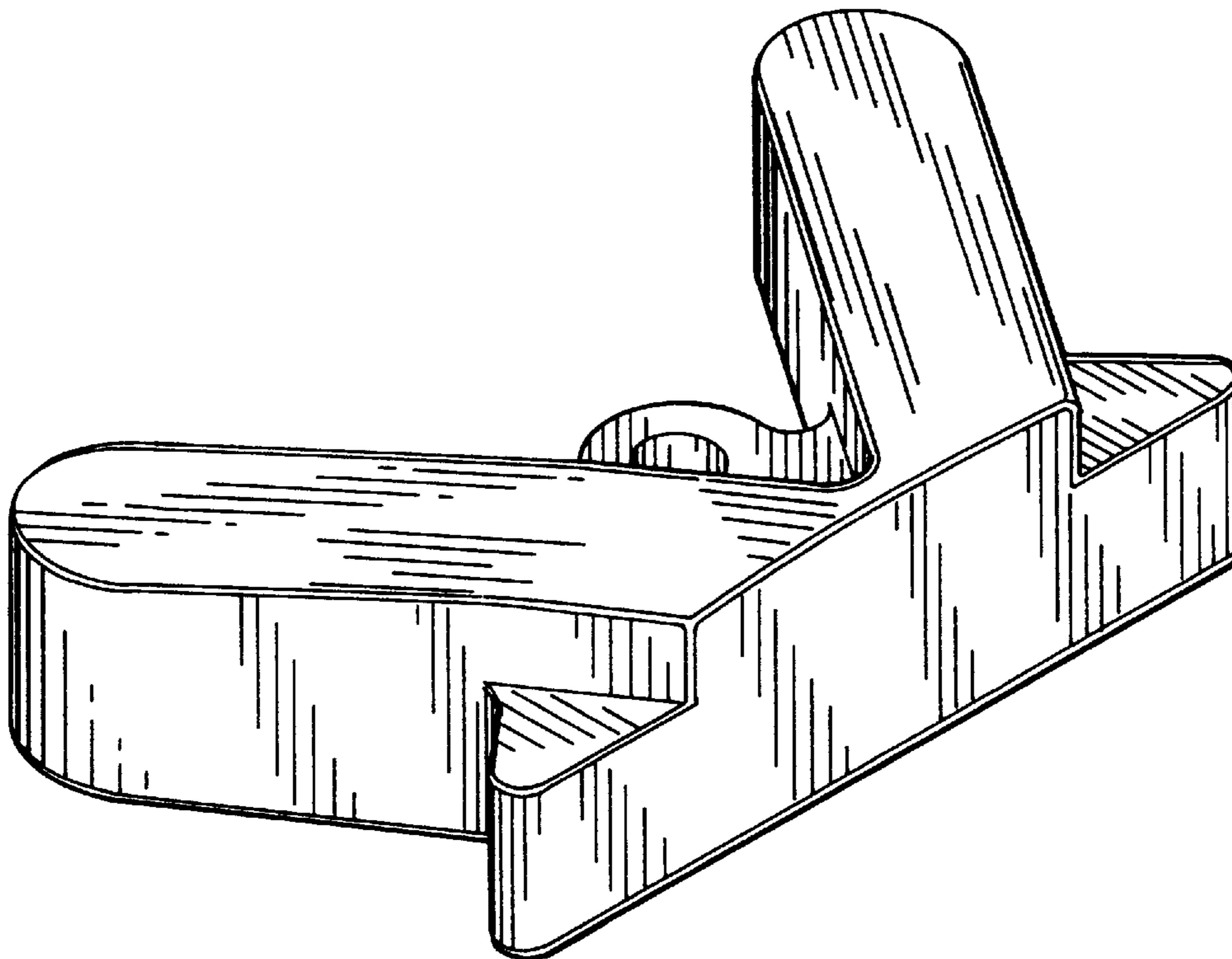
FIG. 3 is a rear elevational view thereof;

FIG. 4 is a top plan view thereof;

FIG. 5 is a bottom plan view thereof; and,

FIG. 6 is a right side elevational view thereof, this view being a mirror image to the left side elevational view.

1 Claim, 3 Drawing Sheets



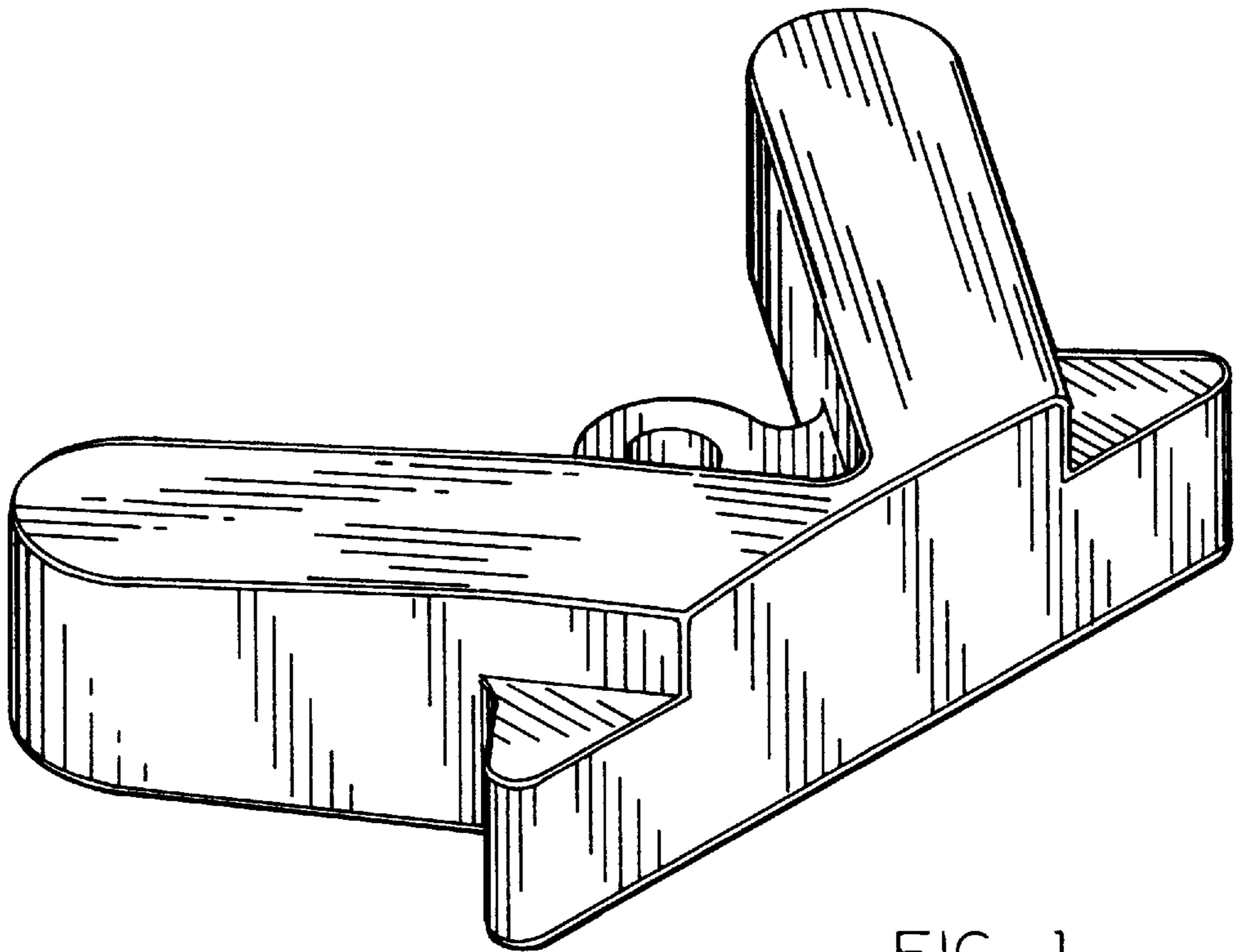


FIG. 1

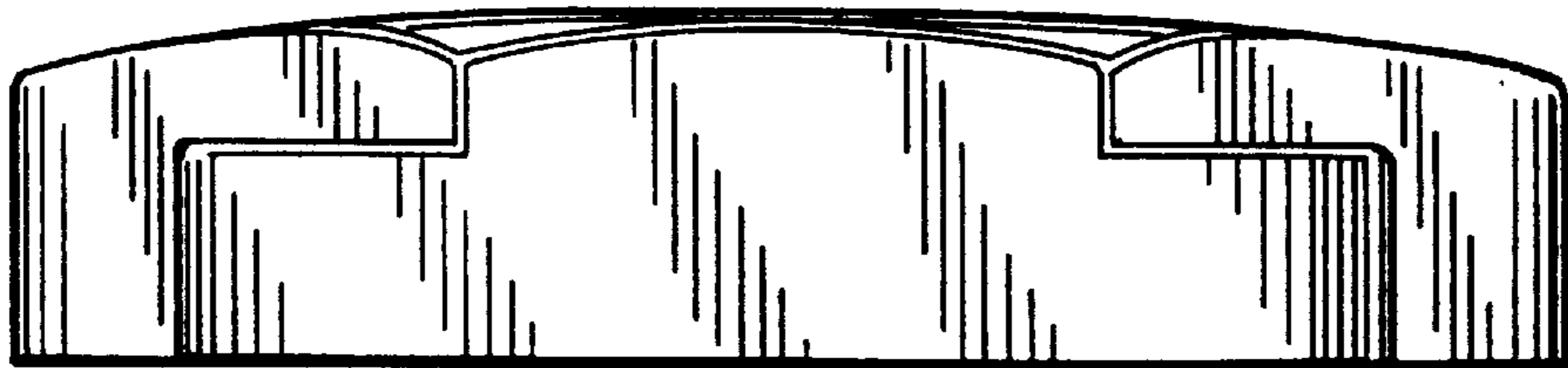


FIG. 2

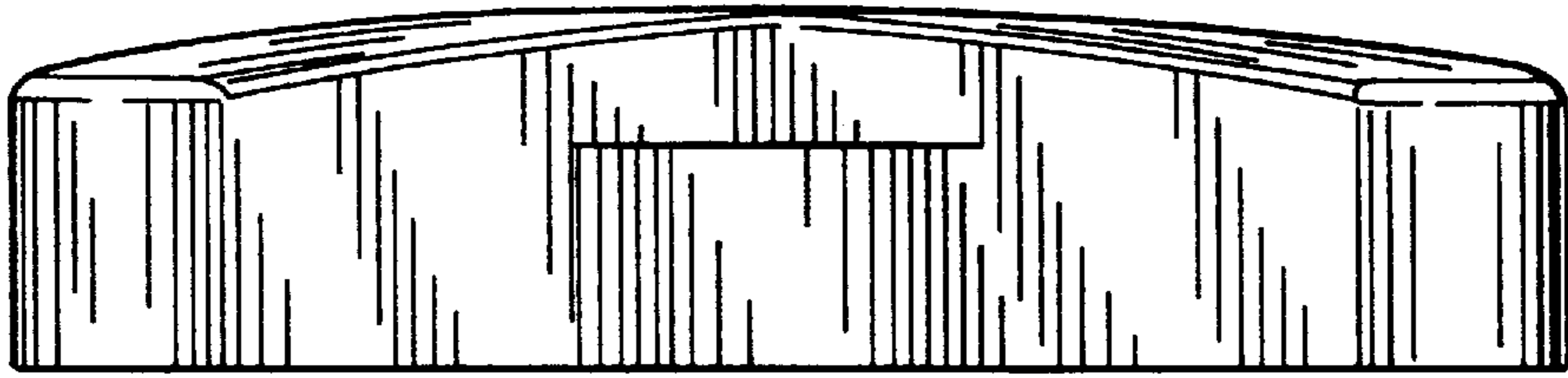


FIG. 3

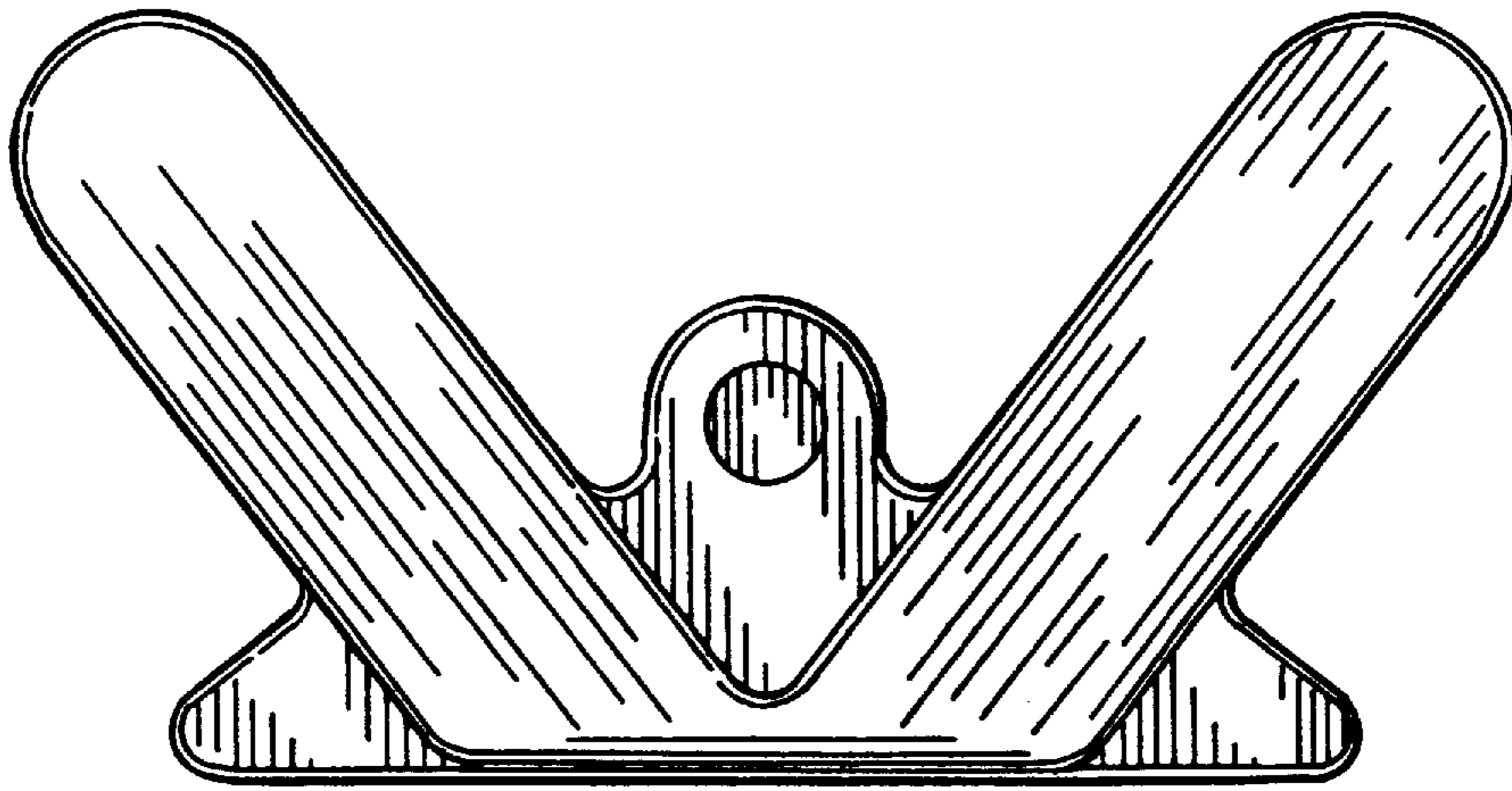


FIG. 4

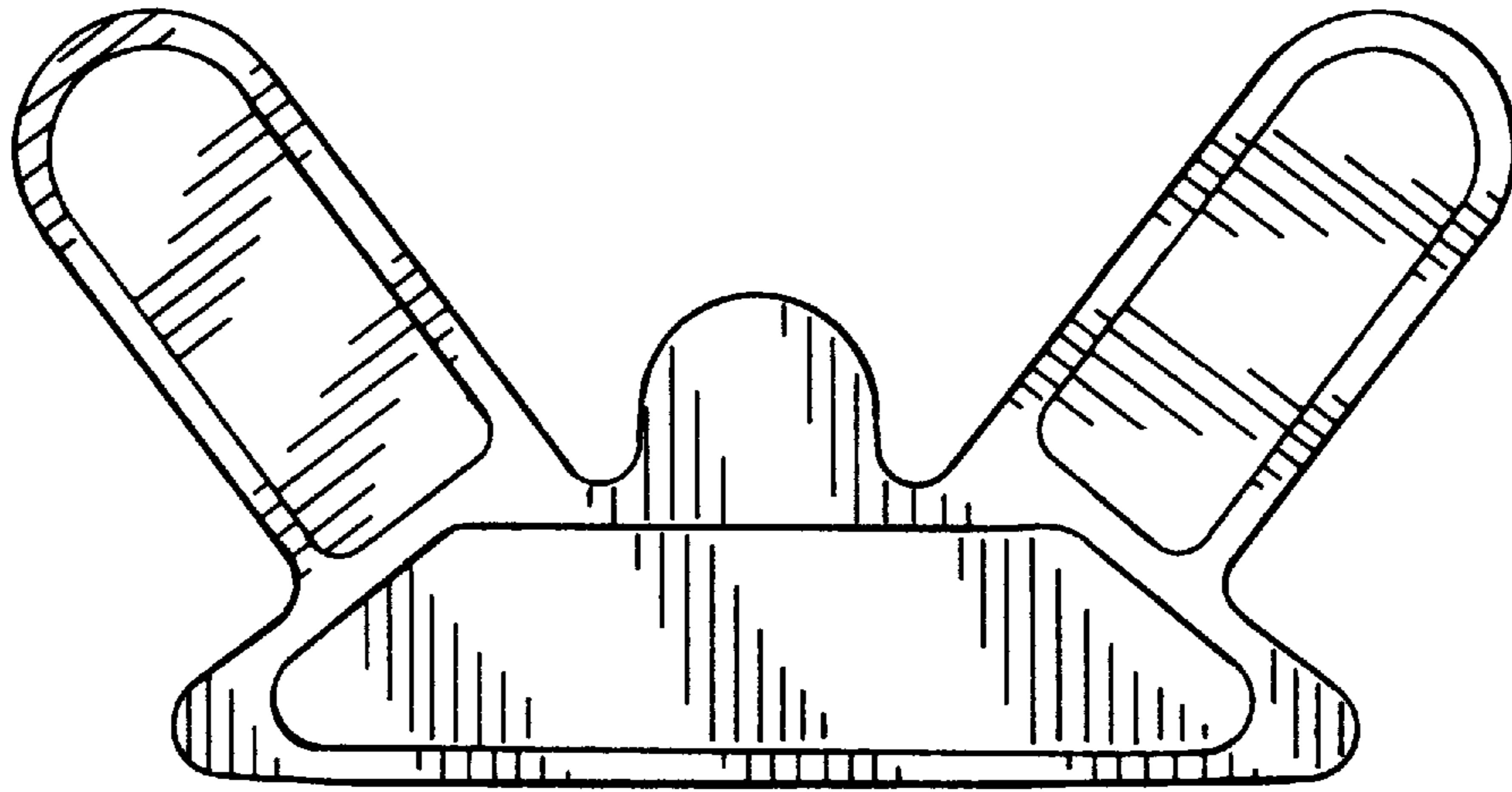


FIG. 5

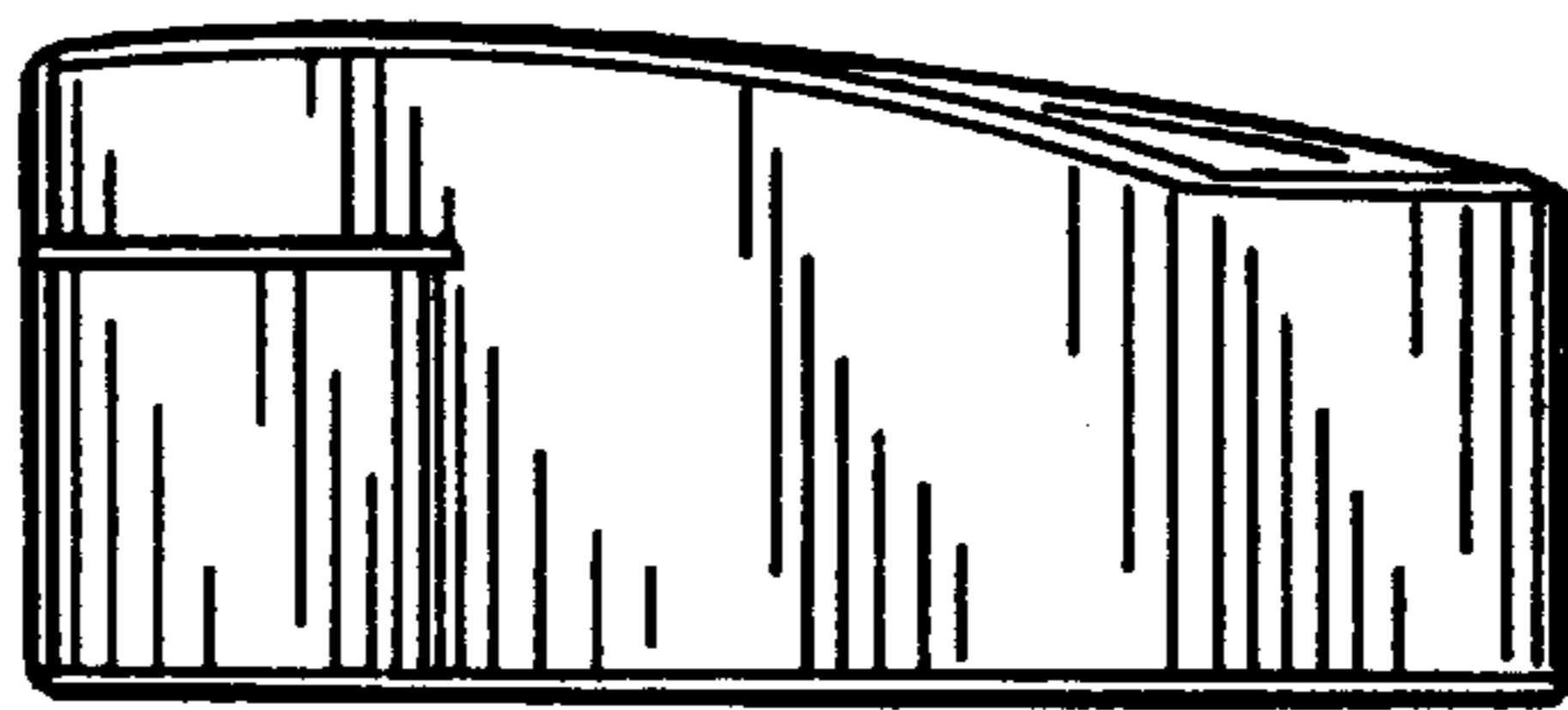


FIG. 6