



US00D399270S

United States Patent [19] Harrod

[11] **Patent Number: Des. 399,270**

[45] **Date of Patent: **Oct. 6, 1998**

[54] **RIDE-ON TOY VEHICLE**

[75] Inventor: **Lawrence R. Harrod**, Fort Wayne, Ind.

[73] Assignee: **Mattel, Inc.**, El Segundo, Calif.

[**] Term: **14 Years**

[21] Appl. No.: **49,780**

[22] Filed: **Jan. 31, 1996**

[51] **LOC (6) Cl. 21-01**

[52] **U.S. Cl. D21/80**

[58] **Field of Search** D21/71-81, 128,
D21/131, 132-141; D12/87, 88, 112, 110;
446/424, 425, 427, 433, 440, 454, 456,
457, 462, 465, 470; 280/1.13, 828, 87.01,
87.021, 47.11; 180/210

[56] **References Cited**

U.S. PATENT DOCUMENTS

D. 219,608	12/1970	Carver	D21/76
D. 276,251	11/1984	Wakimura	D21/134
D. 277,771	2/1985	Takeuchi	D21/81
D. 300,619	4/1989	Phinney et al.	D12/112
D. 307,610	5/1990	Harrod	D21/80
D. 336,316	6/1993	Pang et al.	D21/80
D. 351,125	10/1994	Chen	D12/112
D. 377,773	2/1997	Sloss	D21/81
3,751,851	8/1973	Nagai	446/440
3,907,331	9/1975	Lohr et al.	280/87.021
4,531,751	7/1985	Todokoro	280/828
4,739,851	4/1988	Perego	446/440
5,489,232	2/1996	Chang	446/440

Primary Examiner—Raphael Barkai

Attorney, Agent, or Firm—Kolisch, Hartwell, Dickinson,
McCormick & Heuser

[57] **CLAIM**

The ornamental design for a ride-on toy vehicle, as shown and described.

DESCRIPTION

FIG. 1 is a perspective view of a ride-on toy vehicle showing my new design;

FIG. 2 is another perspective view thereof;

FIG. 3 is a right side elevational view thereof;

FIG. 4 is a left side elevational view thereof;

FIG. 5 is a top plan view thereof;

FIG. 6 is a front elevational view thereof;

FIG. 7 is a rear elevational view thereof;

FIG. 8 is a bottom plan view thereof;

FIG. 9 is a close-up view of the ride-on toy vehicle of FIGS. 1 and 2;

FIG. 10 is a close-up view of the ride-on toy vehicle of FIGS. 1 and 2;

FIG. 11 is a close-up view of the ride-on toy vehicle of FIGS. 1 and 2;

FIG. 12 is a close-up view of the ride-on toy vehicle of FIGS. 1 and 2;

FIG. 13 is a close-up view of the ride-on toy vehicle of FIGS. 1 and 2;

FIG. 14 is a close-up view of the ride-on toy vehicle of FIGS. 1 and 2;

FIG. 15 is a close-up view of the ride-on toy vehicle of FIGS. 1 and 2; and,

FIG. 16 is a close-up view of the ride-on toy vehicle of FIGS. 1 and 2.

1 Claim, 16 Drawing Sheets





Fig. 1



Fig. 2



Fig. 3



Fig. 4

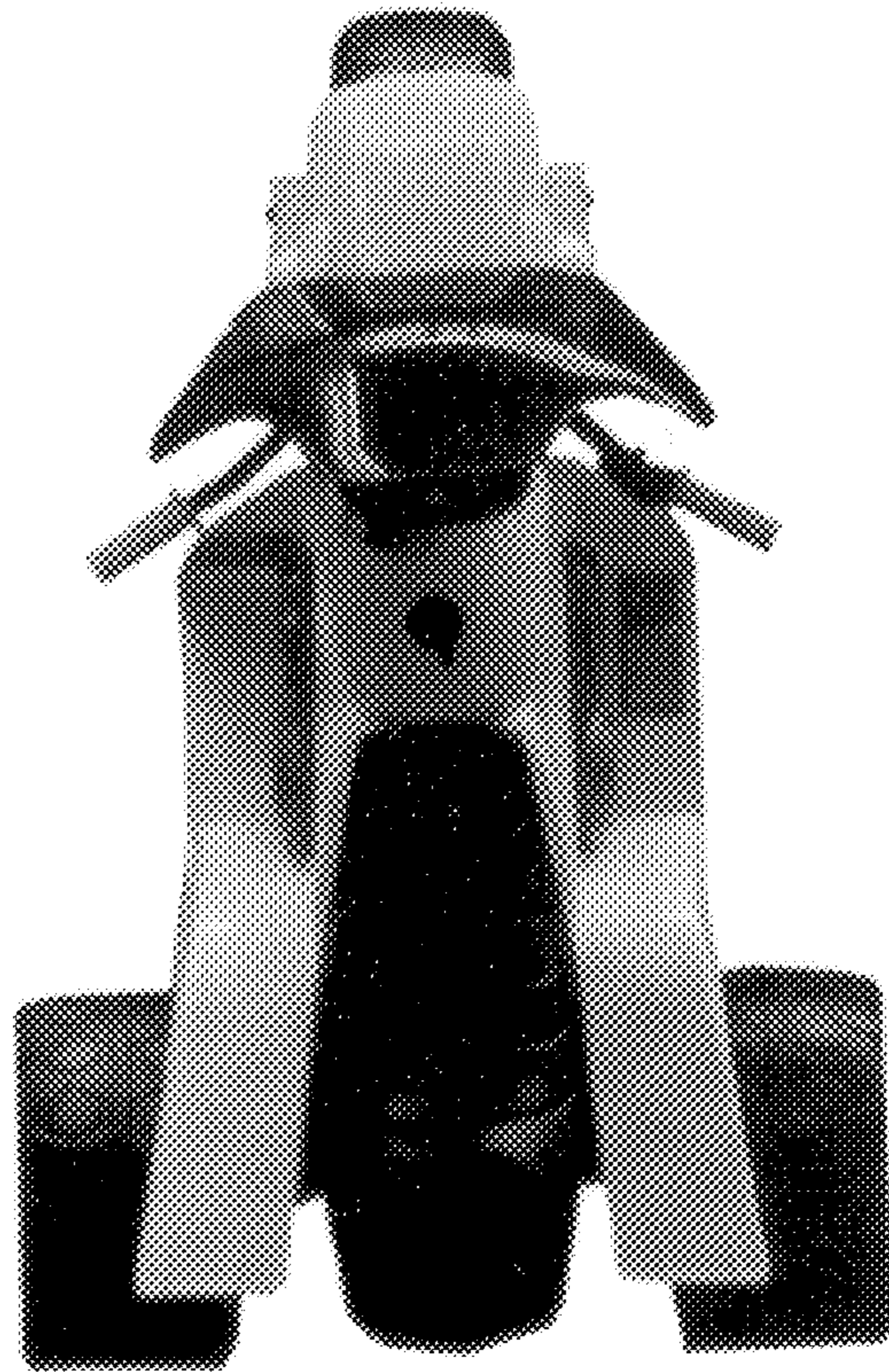


Fig. 5

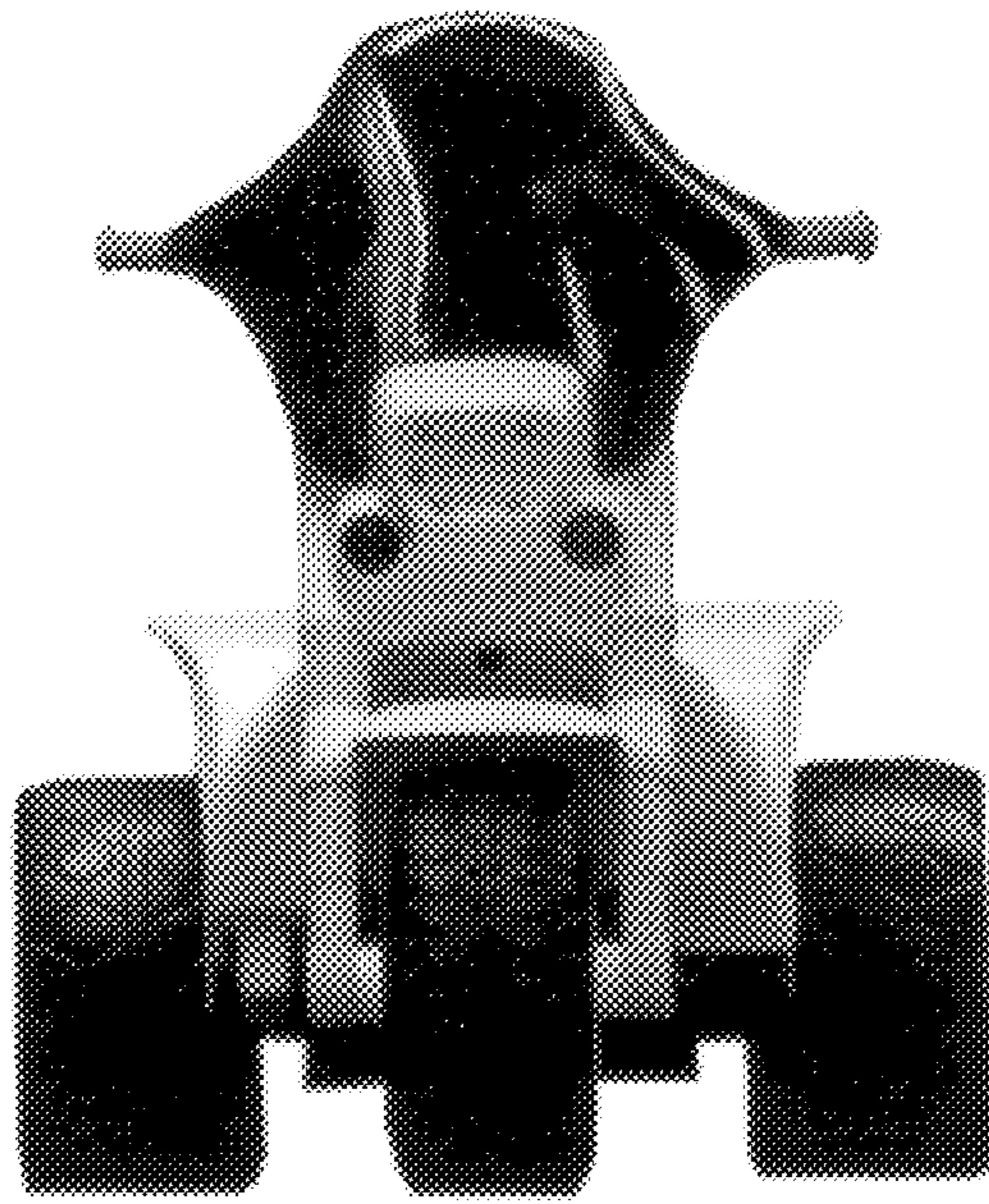


Fig. 6

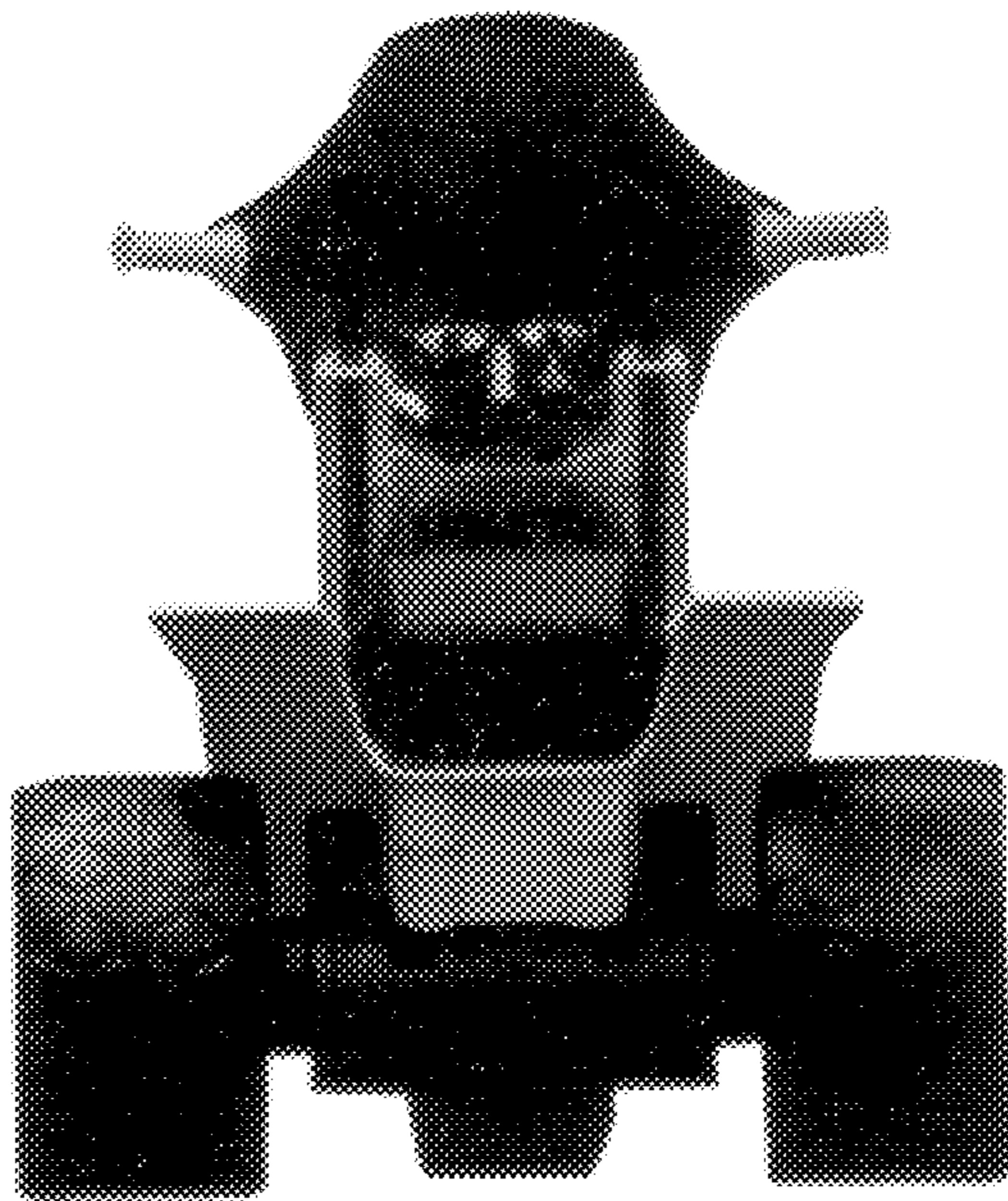


Fig. 7

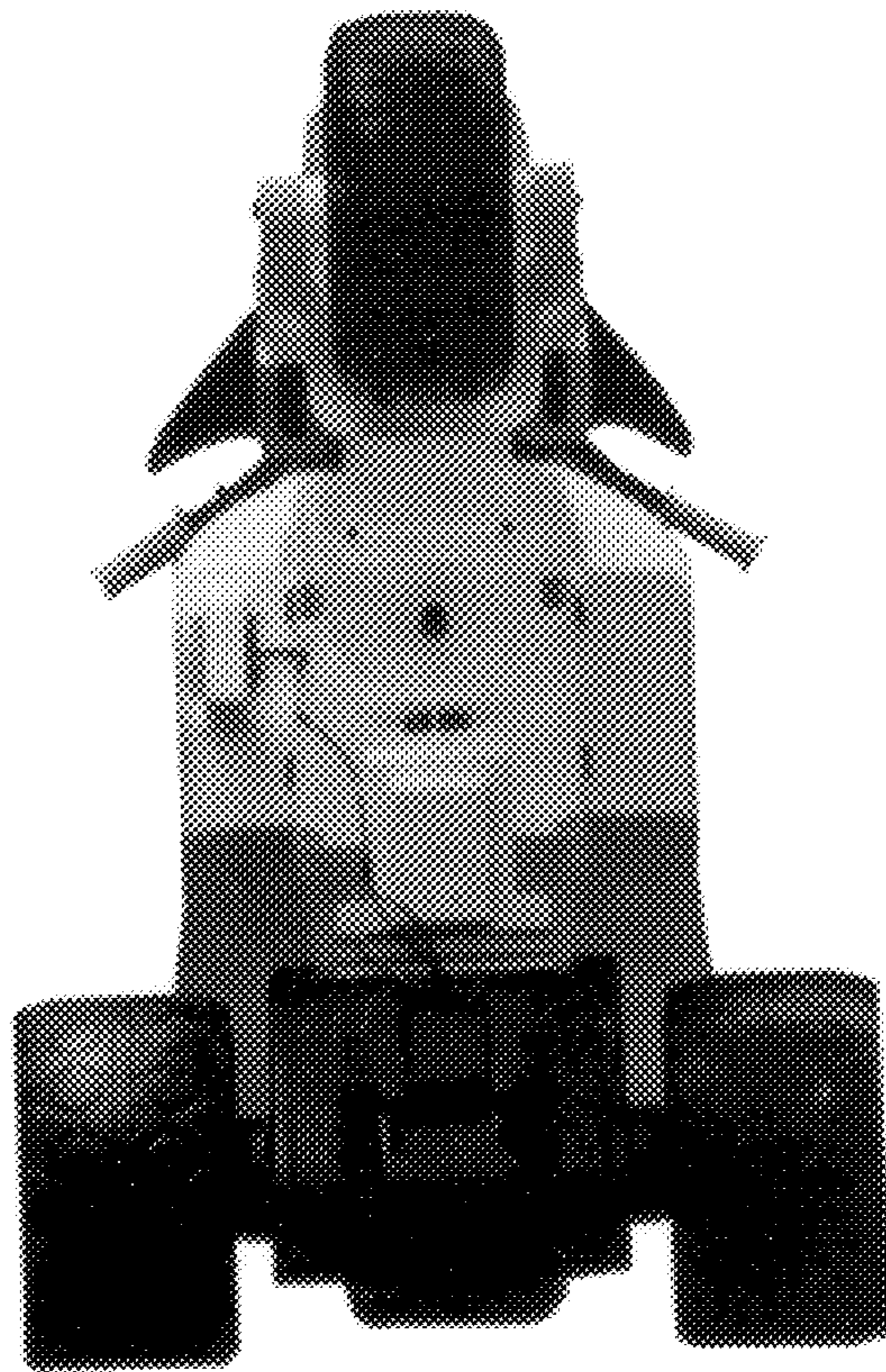


Fig. 8

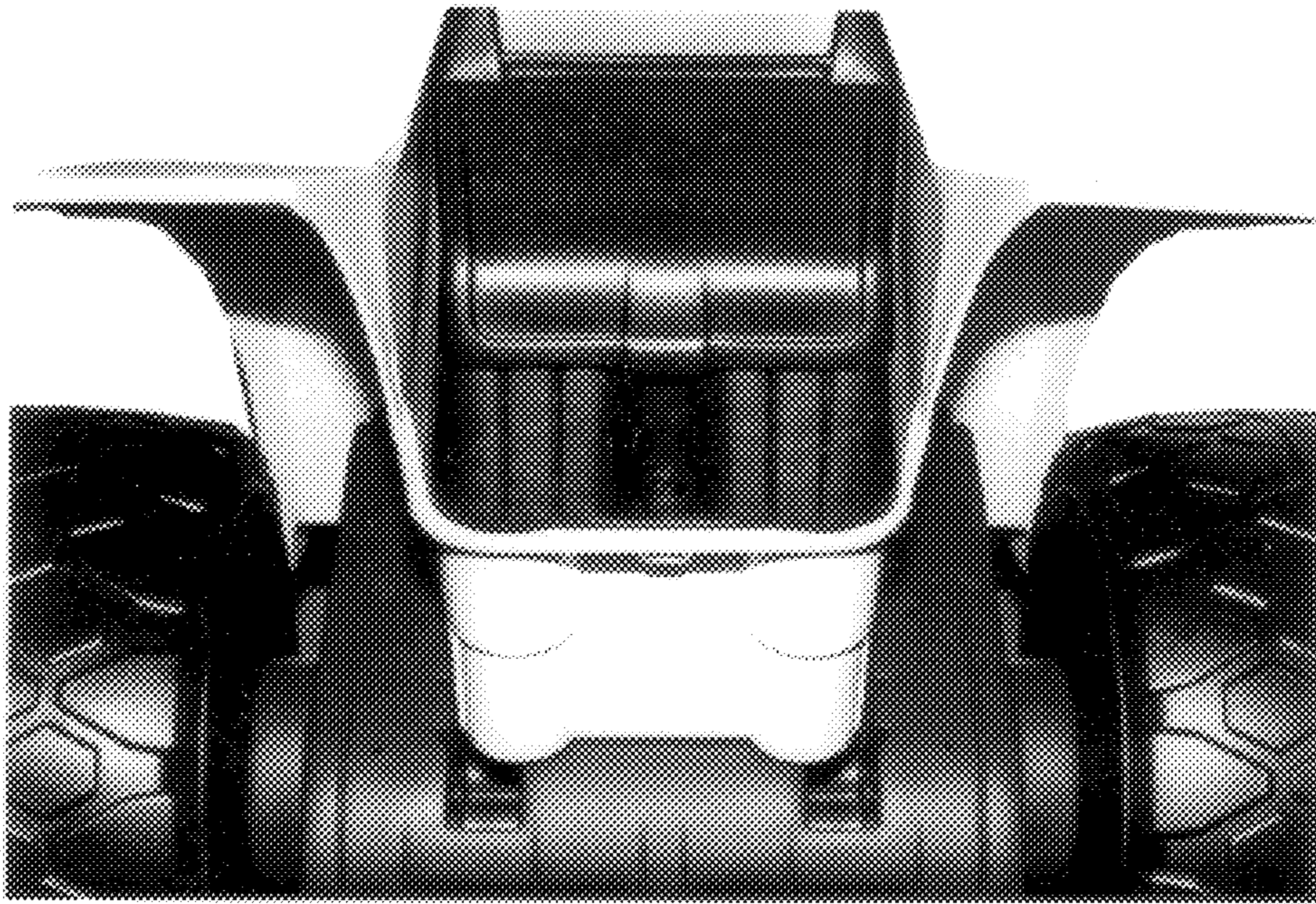


Fig. 9

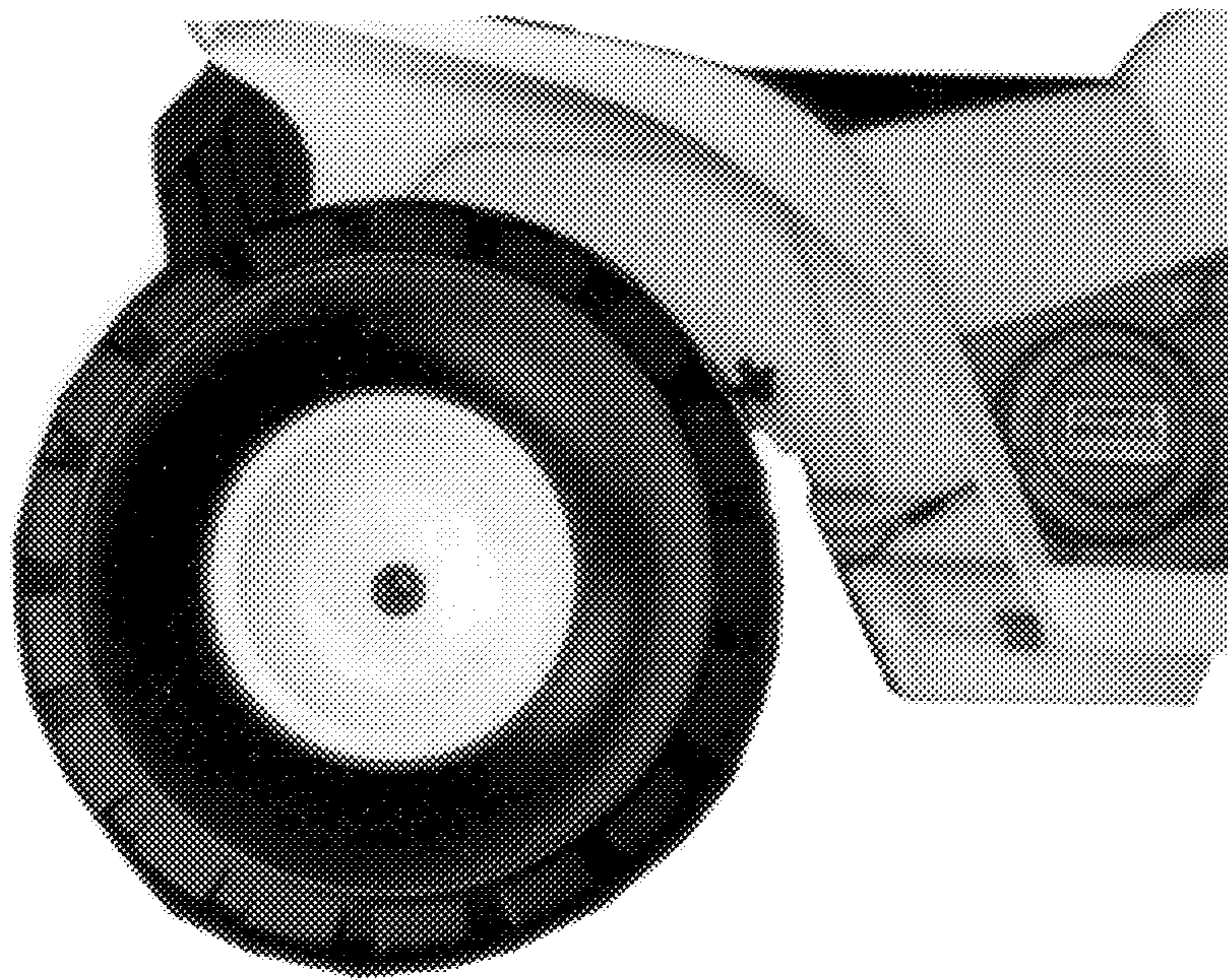


Fig. 10

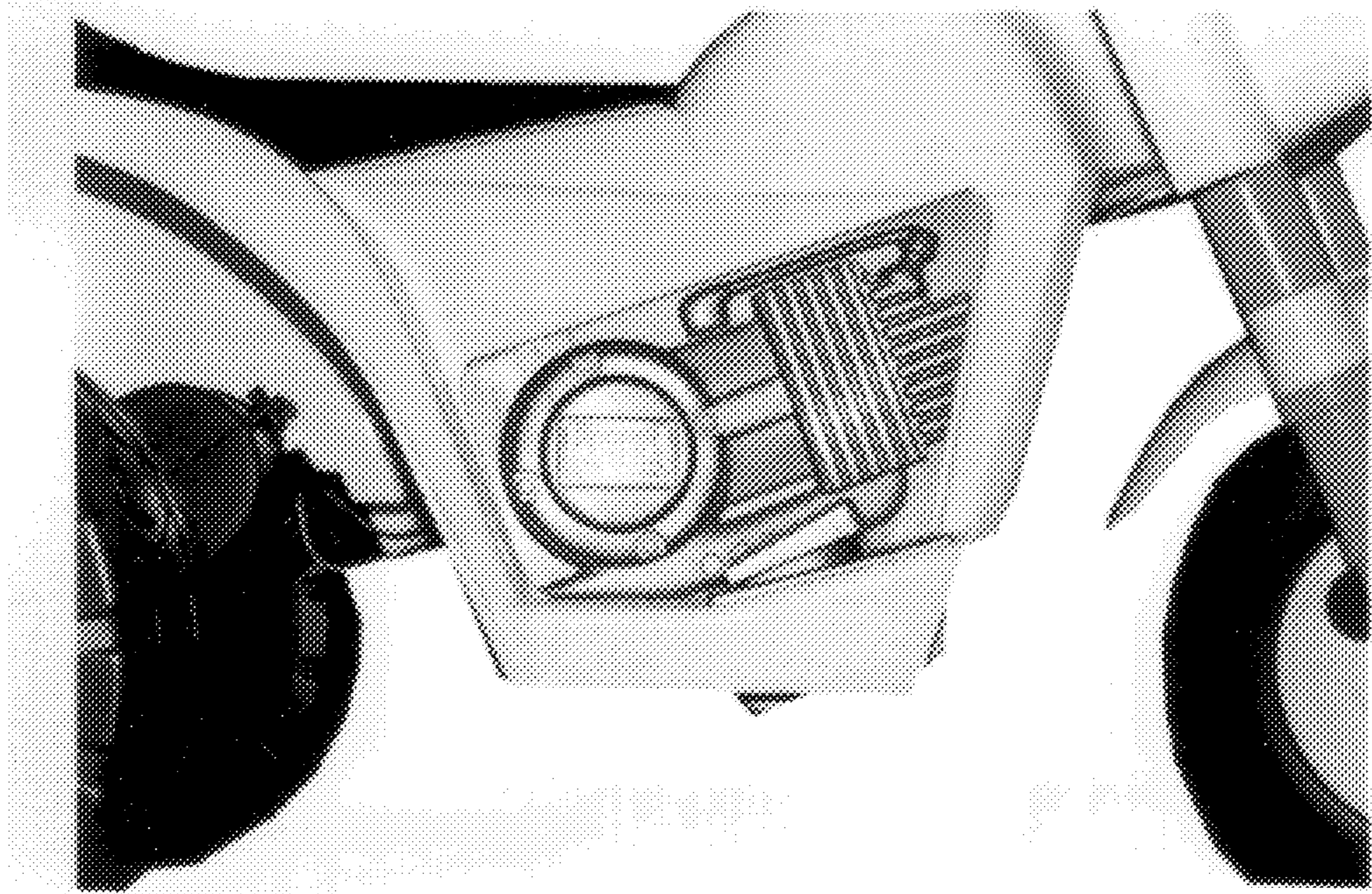


Fig. 11

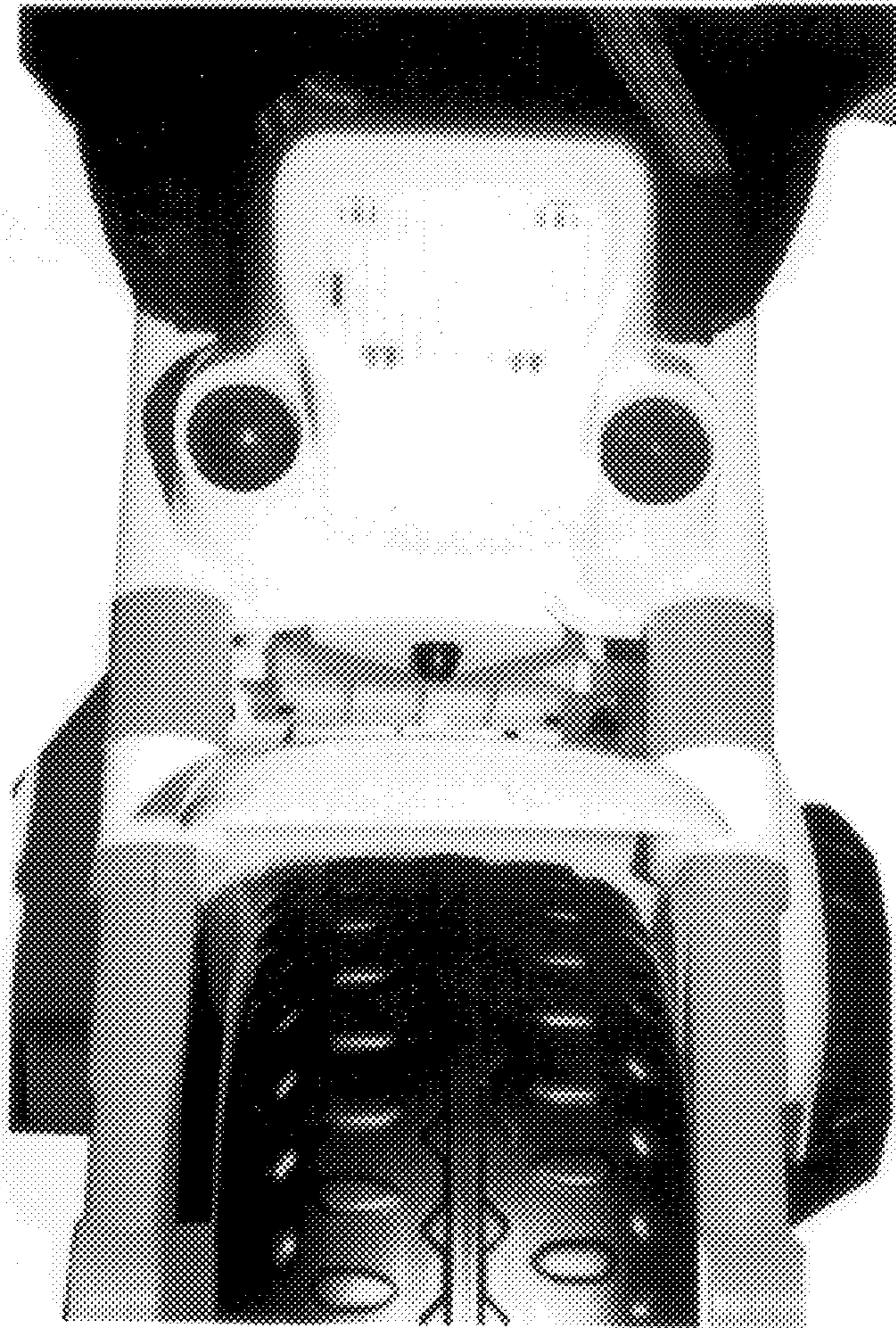


Fig. 12

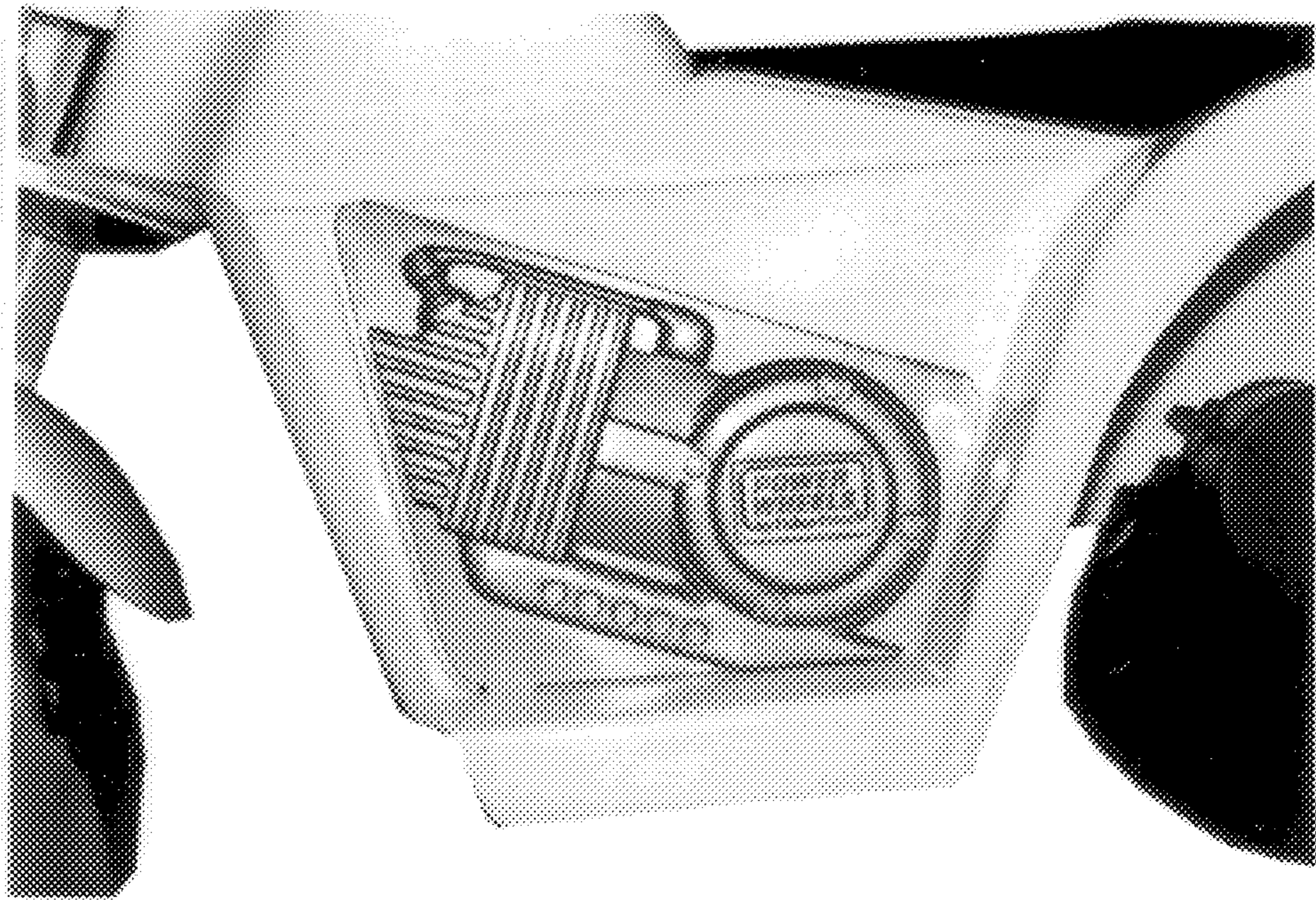


Fig. 13

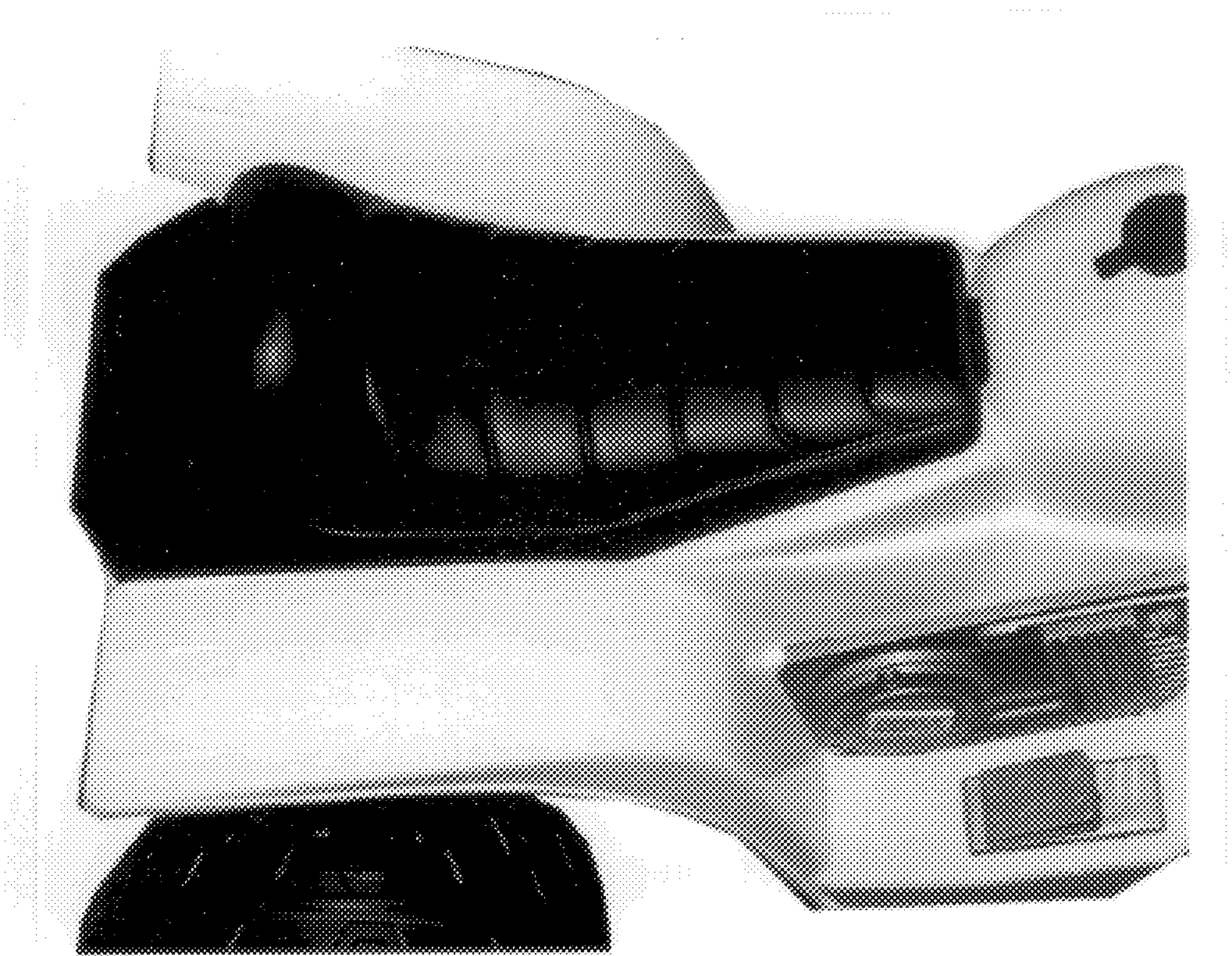


Fig. 14



Fig. 15

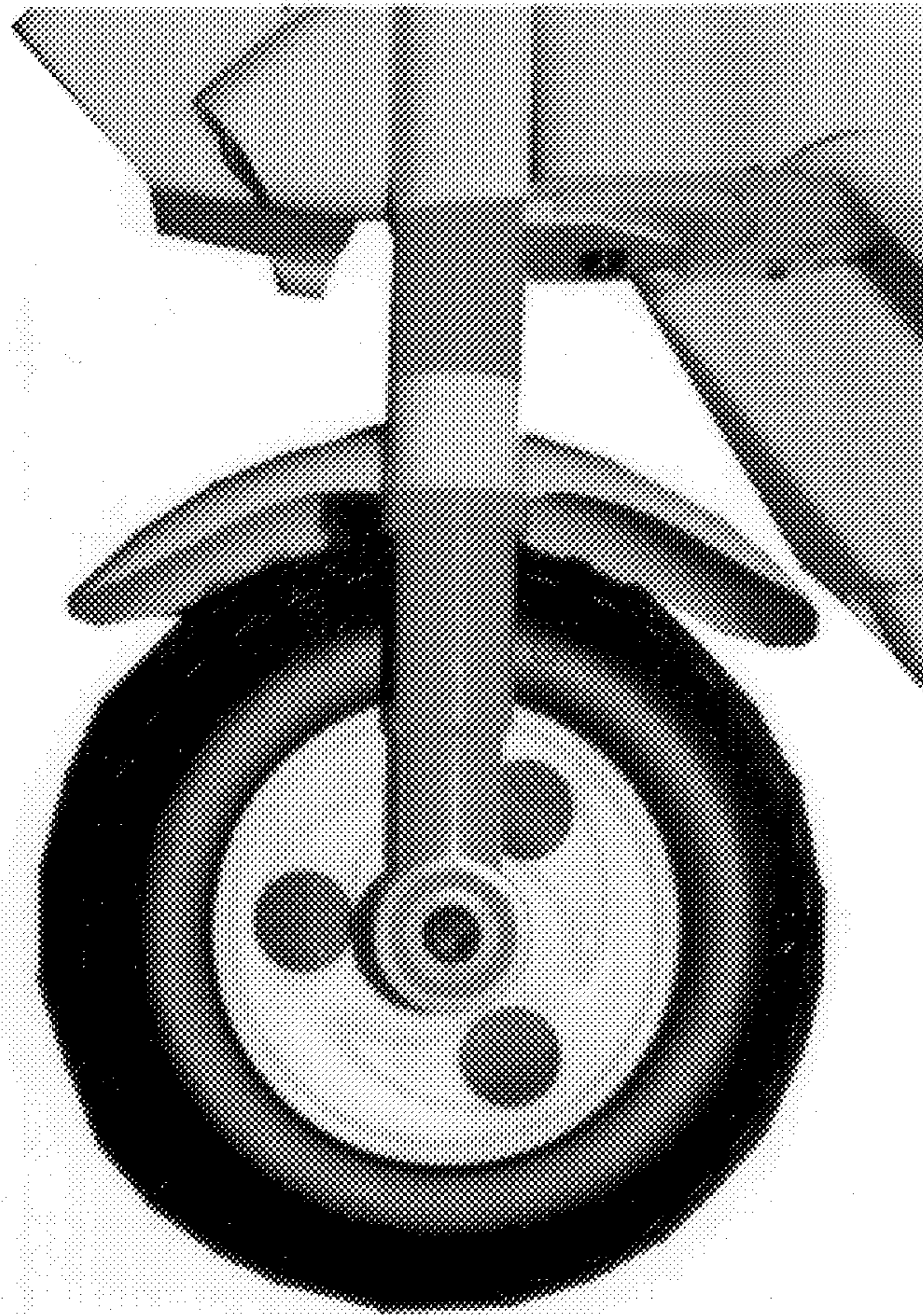


Fig. 16