



US00D399269S

# United States Patent [19] Bishop, Jr.

[11] Patent Number: **Des. 399,269**  
[45] Date of Patent: **\*\*Oct. 6, 1998**

## [54] NOISE MAKER FOR SPORTS FANS

[76] Inventor: **Charles H. Bishop, Jr.**, 7709 Betty Louise, Callaway, Fla. 32404

[\*\*] Term: **14 Years**

[21] Appl. No.: **59,863**

[22] Filed: **Sep. 17, 1996**

[51] LOC (6) Cl. .... **21-01**

[52] U.S. Cl. .... **D21/64; D21/59; D21/100**

[58] Field of Search ..... **D21/64, 65, 100, D21/59; 446/397, 420-422**

## [56] References Cited

### U.S. PATENT DOCUMENTS

D. 021,765	8/1892	Crandall .....	D21/65
D. 150,011	6/1948	Guariglia .....	D21/64
D. 339,384	9/1993	Seifan .....	D21/64
1,374,644	4/1921	Folkush .....	446/420
1,693,140	11/1928	Dietze, Jr. ....	446/420
2,430,319	11/1947	Zimmerman .....	446/419

## OTHER PUBLICATIONS

Halloween in America, A Collector's Guide with Prices; Stuart Schneider; p. 36; Noisemaker, Jan. 1995.

*Primary Examiner*—Dominic Simone  
*Attorney, Agent, or Firm*—Jerry C. Ray

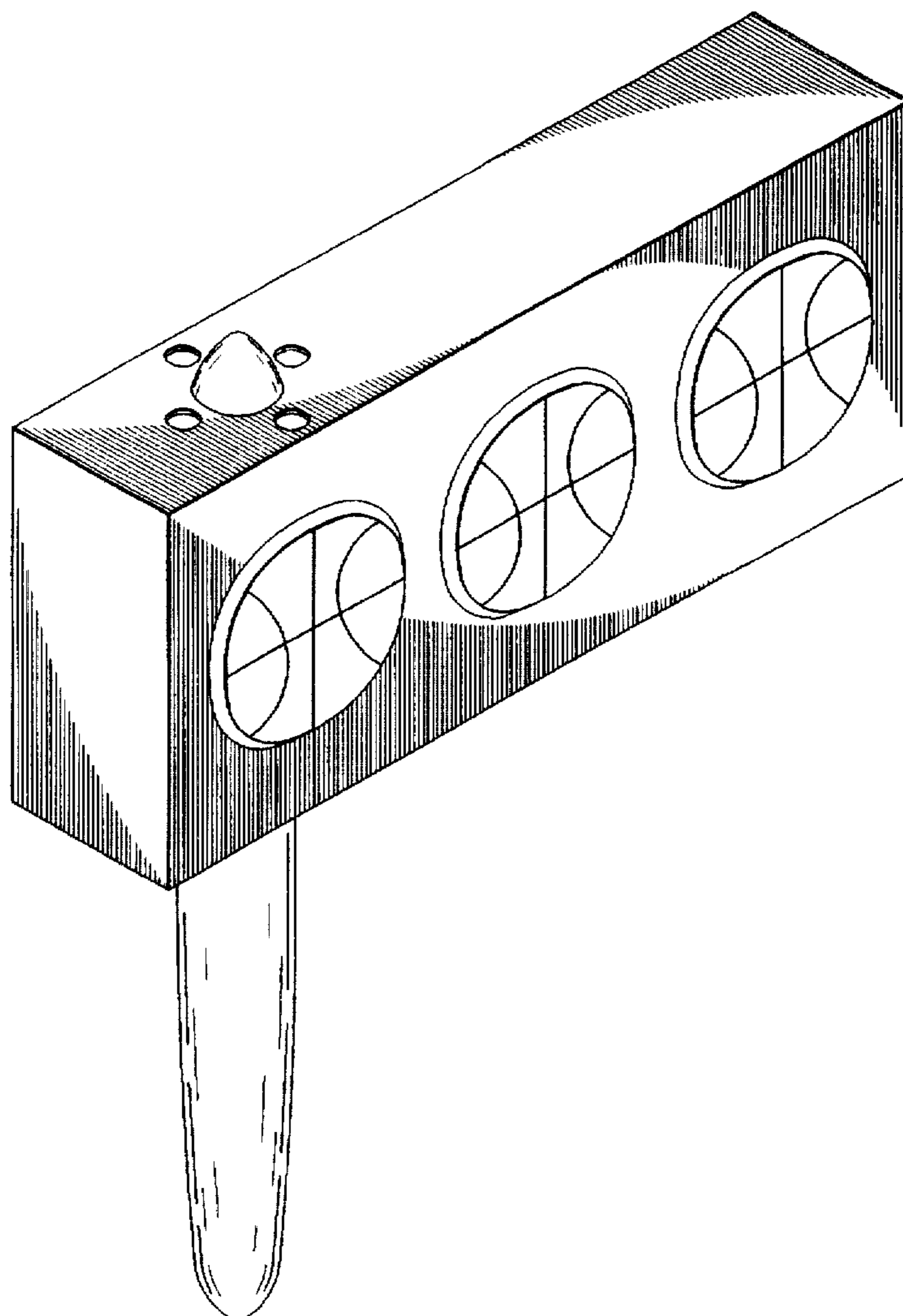
## [57] CLAIM

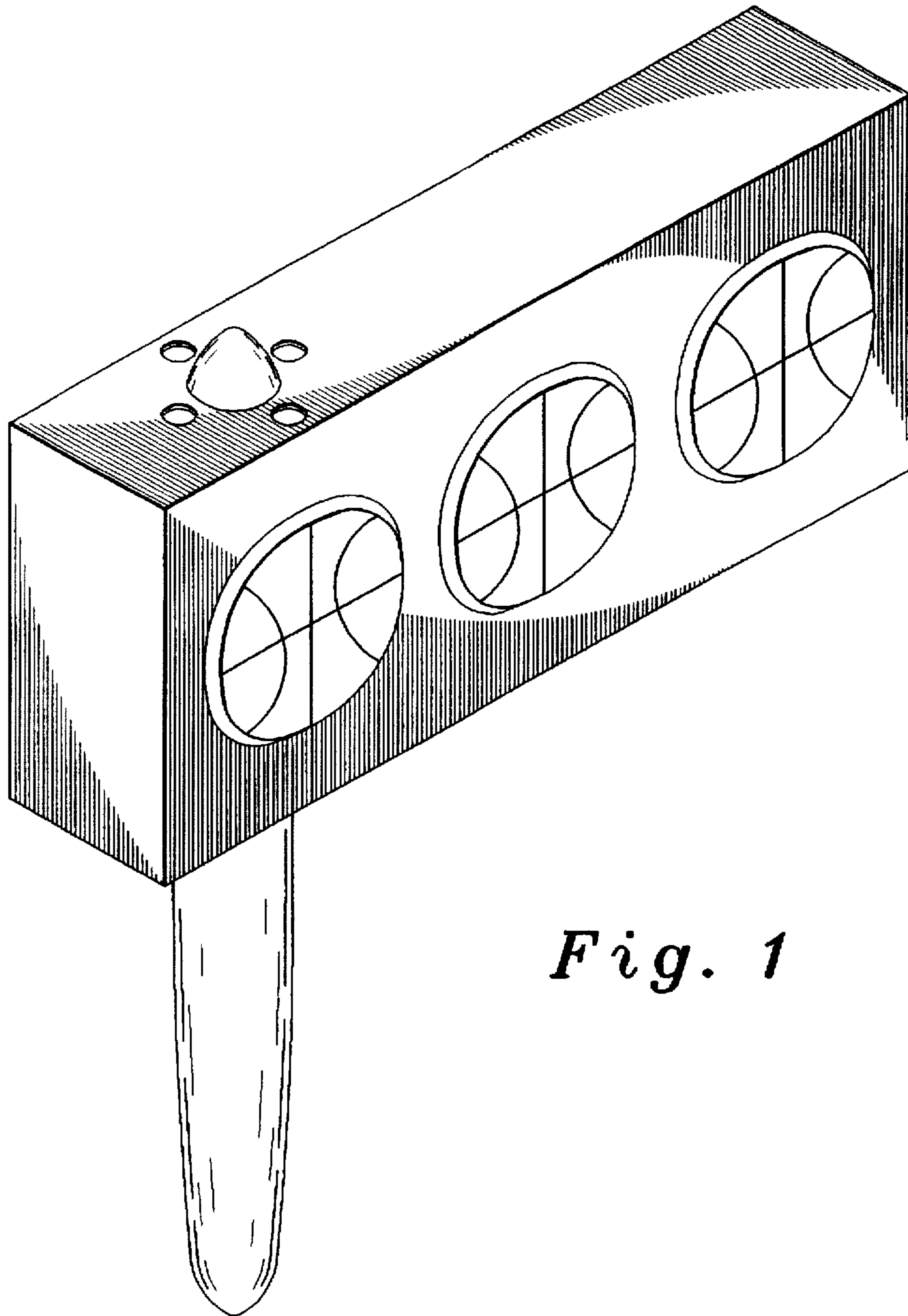
The ornamental design for a noise maker for sports fans, as shown.

## DESCRIPTION

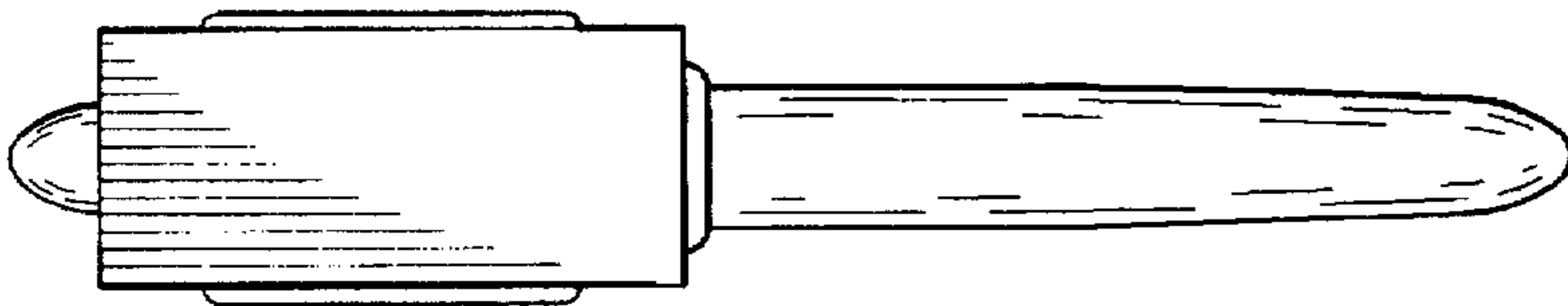
FIG. 1 is a top front left perspective view of a noise maker for sports fans;  
FIG. 2 is a right side elevation thereof;  
FIG. 3 is a front end elevation thereof;  
FIG. 4 is a bottom plan view thereof;  
FIG. 5 is a top plan view thereof;  
FIG. 6 is a left side elevation thereof; and,  
FIG. 7 is a rear end elevation thereof.

**1 Claim, 3 Drawing Sheets**

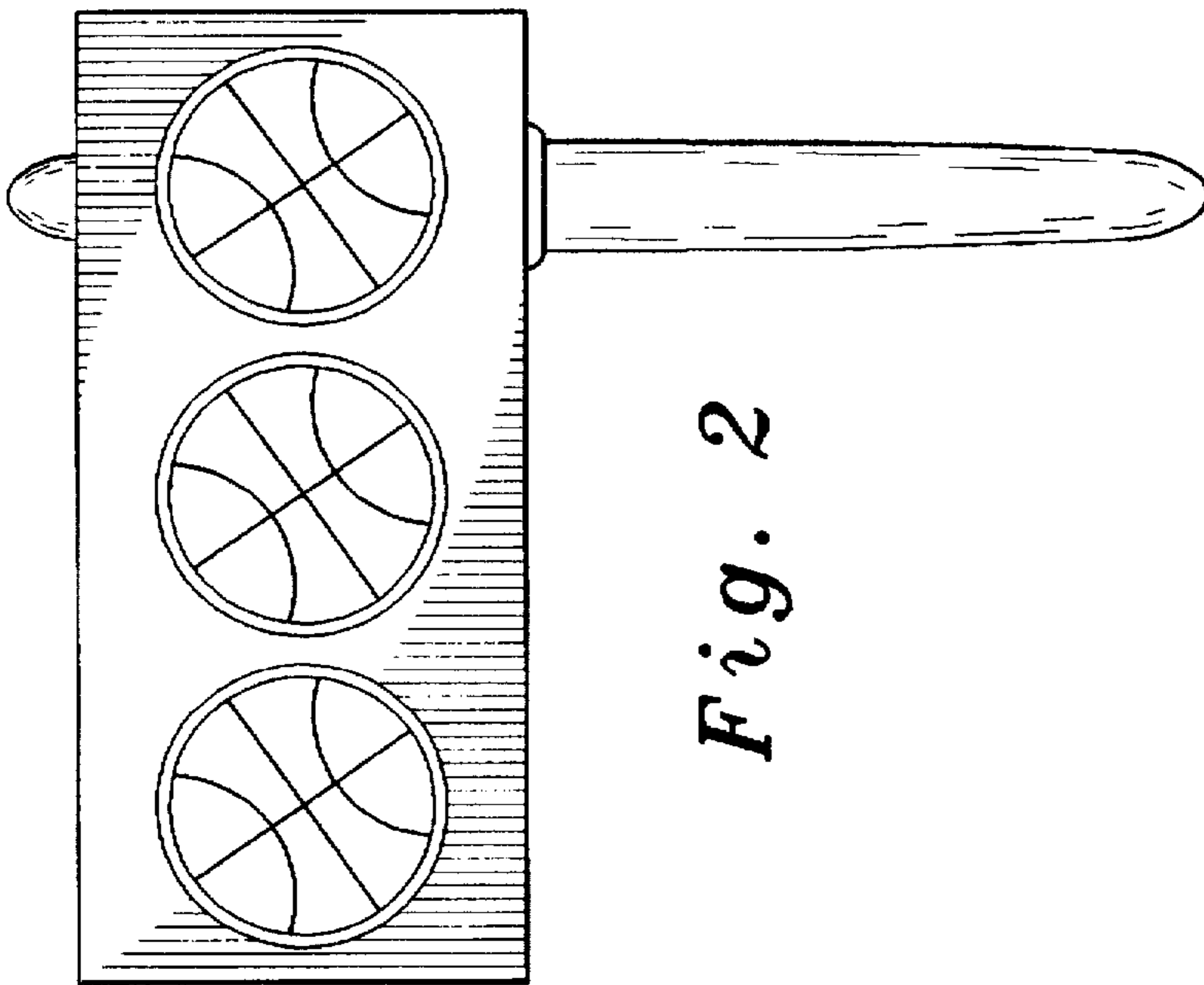




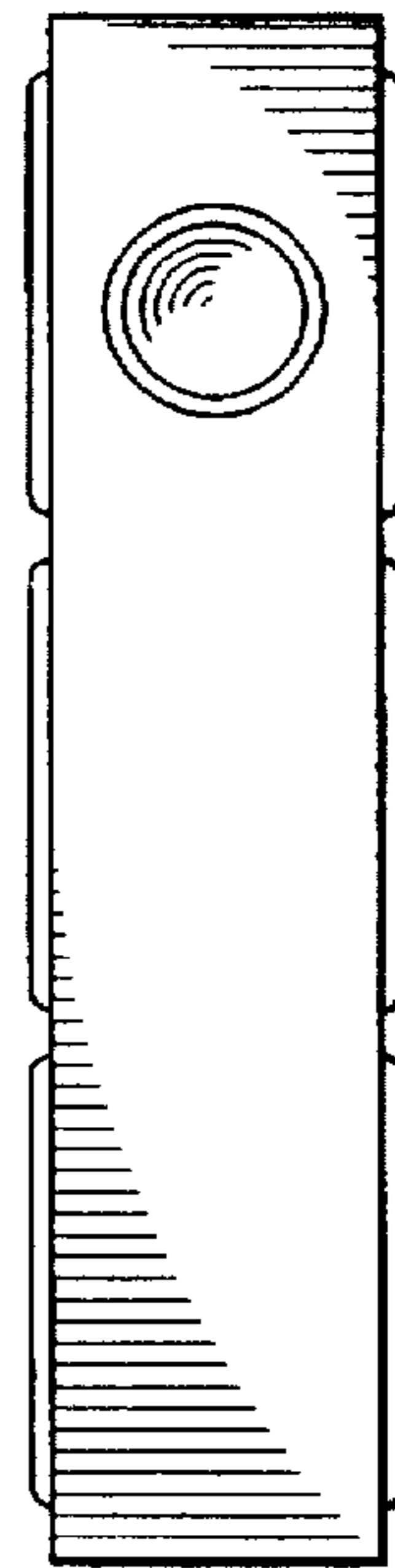
*Fig. 1*



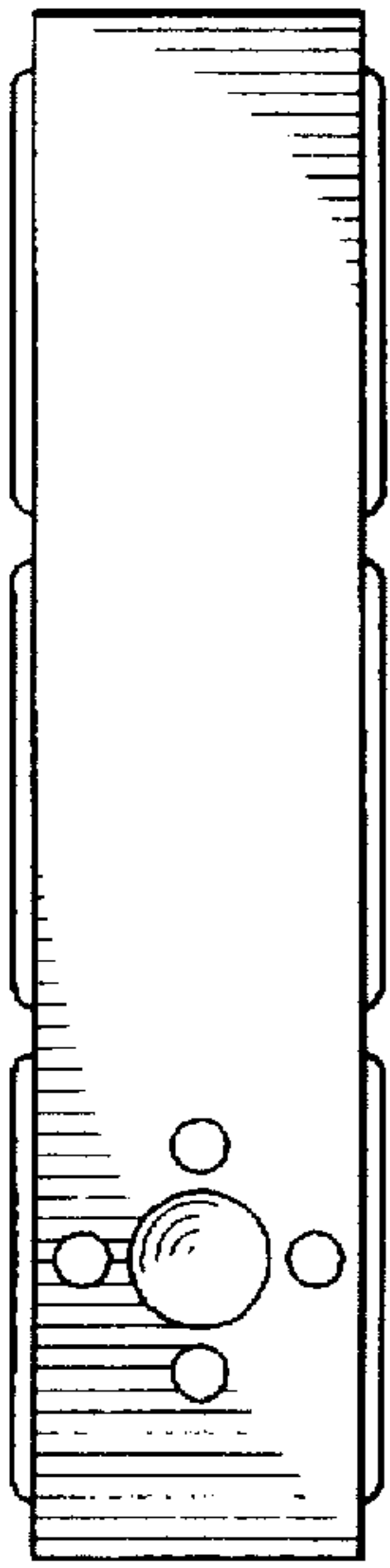
*Fig. 3*



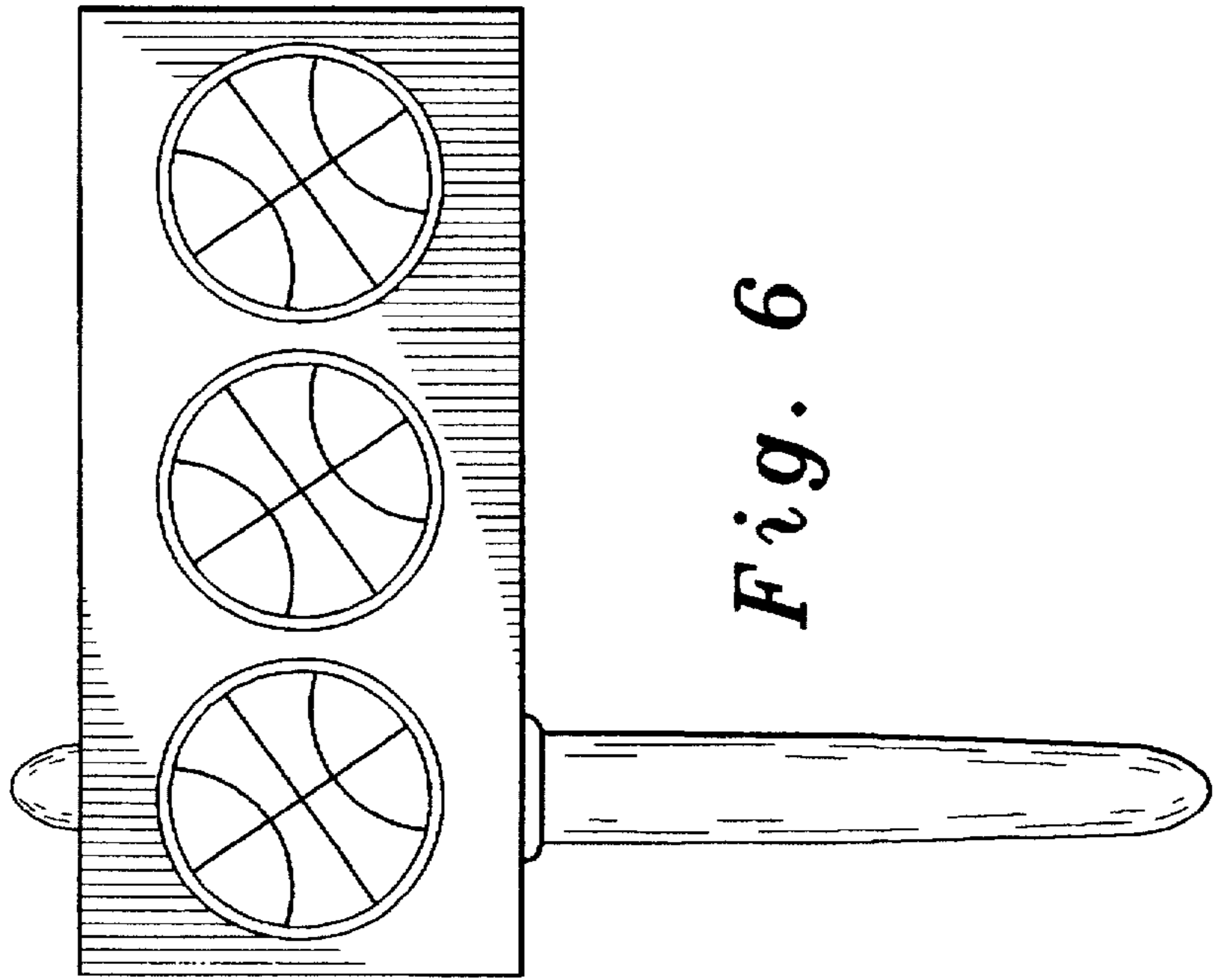
*Fig. 2*



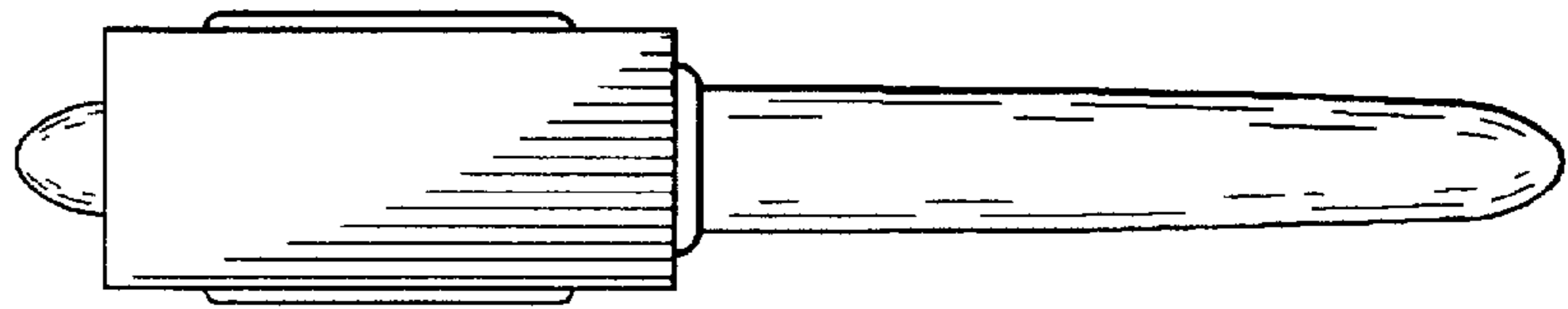
*Fig. 4*



*Fig. 5*



*Fig. 6*



*Fig. 7*