



US00D399267S

United States Patent [19] Fai

[11] **Patent Number: Des. 399,267**

[45] **Date of Patent: **Oct. 6, 1998**

[54] **HAND HELD ELEELECTRONIC GAME**

5,213,327 5/1993 Kitaue 273/148 B
5,232,223 8/1993 Dornbusch 273/148 B

[75] Inventor: **Au Yeung Sui Fai**, Kowloon, Hong Kong

OTHER PUBLICATIONS

HongKong Entrprise p. 245, Oct. 1994.
Playthings, p. 22, Apr. 1981.

[73] Assignee: **Watercore Limited**, China

Primary Examiner—Prabhakar G. Deshmukh
Attorney, Agent, or Firm—Finnegan, Henderson, Farabow, Garrett & Dunner, L.L.P.

[**] Term: **14 Years**

[21] Appl. No.: **70,504**

[57] CLAIM

[22] Filed: **May 8, 1997**

The ornamental design of the hand held electronic game, as shown and described.

[51] **LOC (6) Cl.** **21-01**

[52] **U.S. Cl.** **D21/13**

[58] **Field of Search** D21/1, 13, 48;
D14/114, 217, 124, 100; 273/148 B; 463/1,
30-35, 37-47

DESCRIPTION

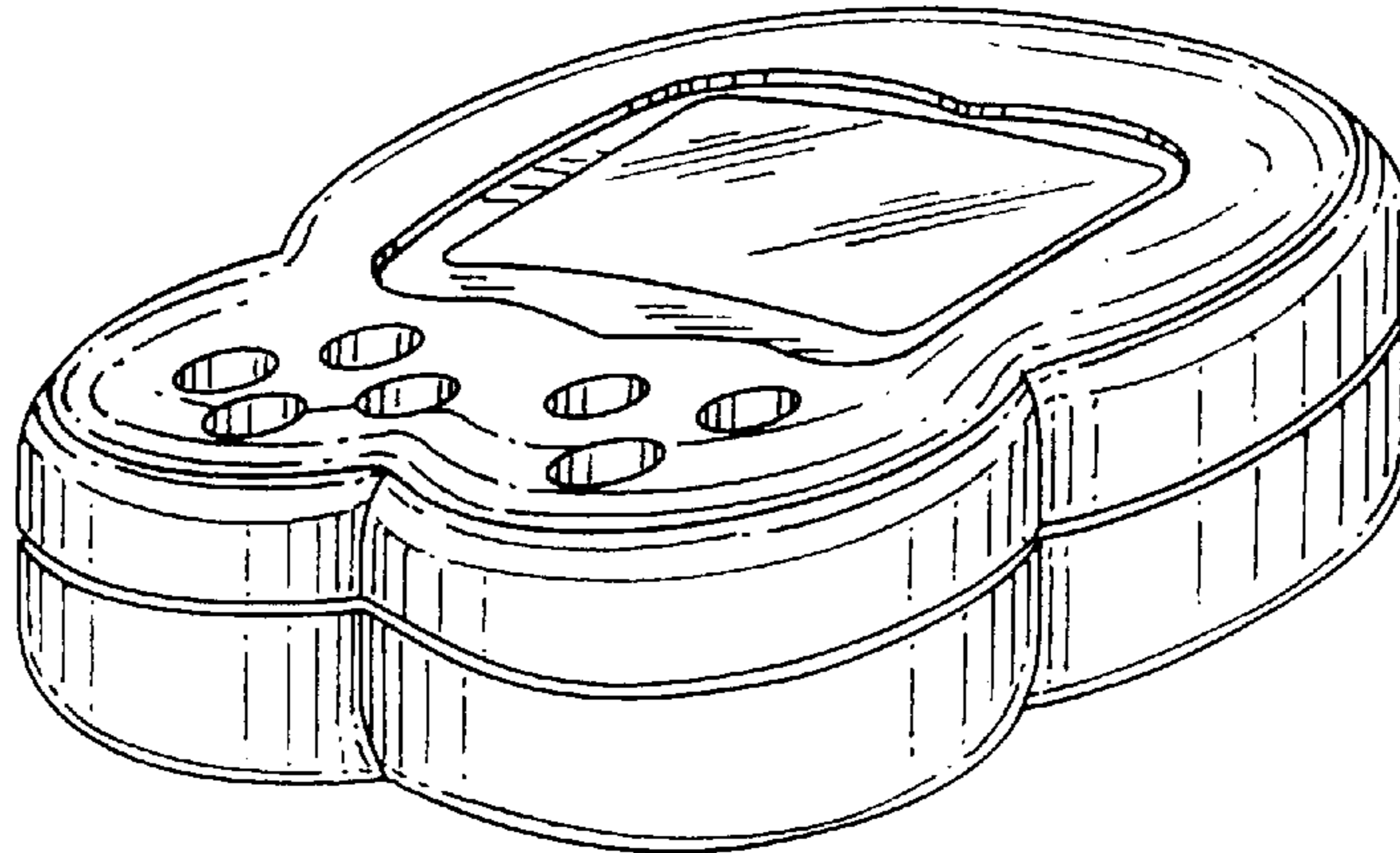
[56] References Cited

U.S. PATENT DOCUMENTS

D. 270,075 8/1983 Tsuyuki D21/13
D. 347,246 5/1994 Wen D21/13
D. 368,282 3/1996 Lin D21/13
D. 369,190 4/1996 Feiz D21/13
D. 380,501 7/1997 Osterhout et al. D21/13
5,184,830 2/1993 Okada et al. 463/29

FIG. 1 is a top plan view of the hand held electronic game embodying my design;
FIG. 2 is a front elevational view thereof;
FIG. 3 is a right side elevational view thereof
FIG. 4 is a left side elevational view thereof;
FIG. 5 is a rear elevational view thereof;
FIG. 6 is a bottom plan view thereof; and,
FIG. 7 is a perspective view thereof.

1 Claim, 3 Drawing Sheets



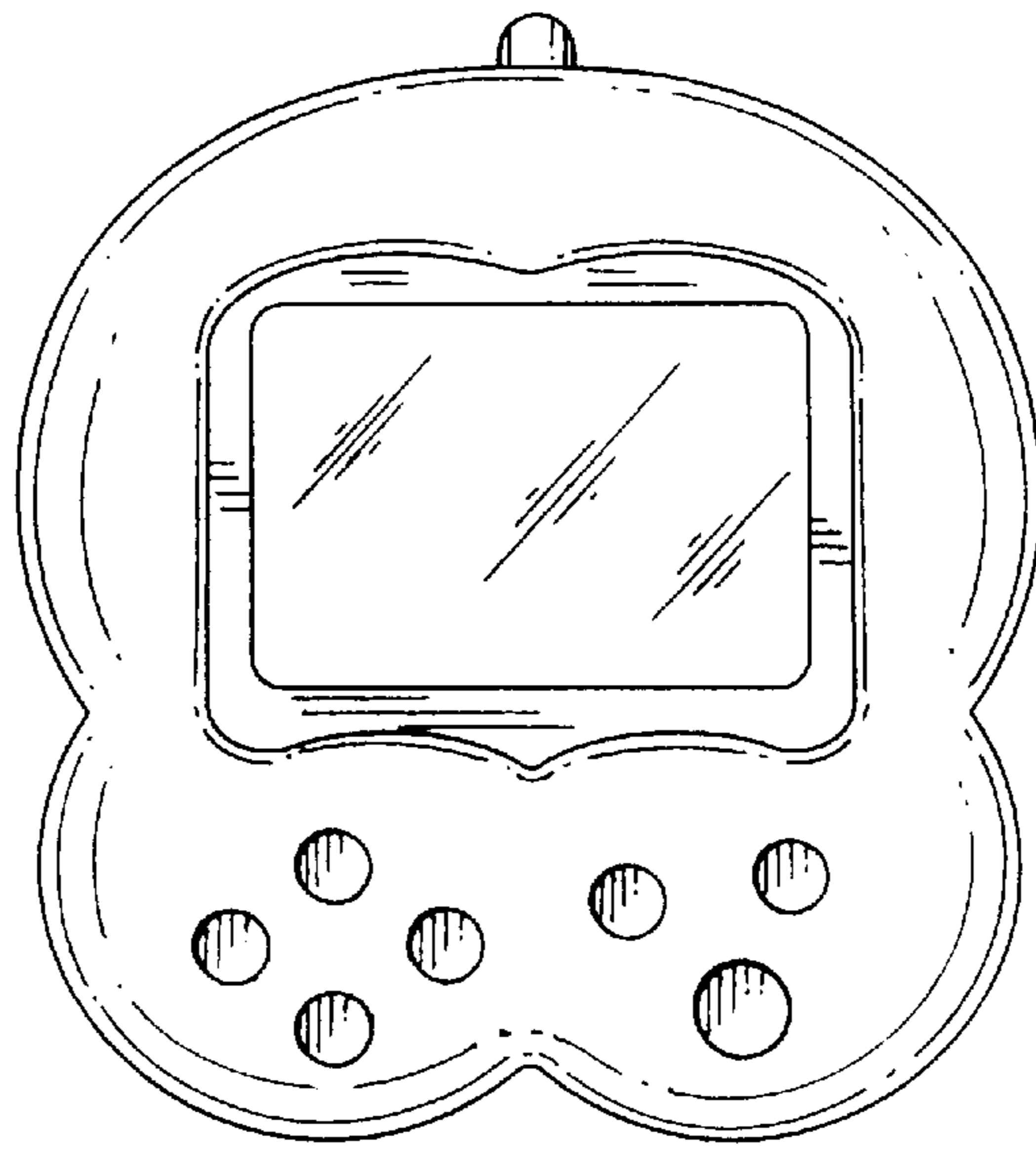


FIG. 1

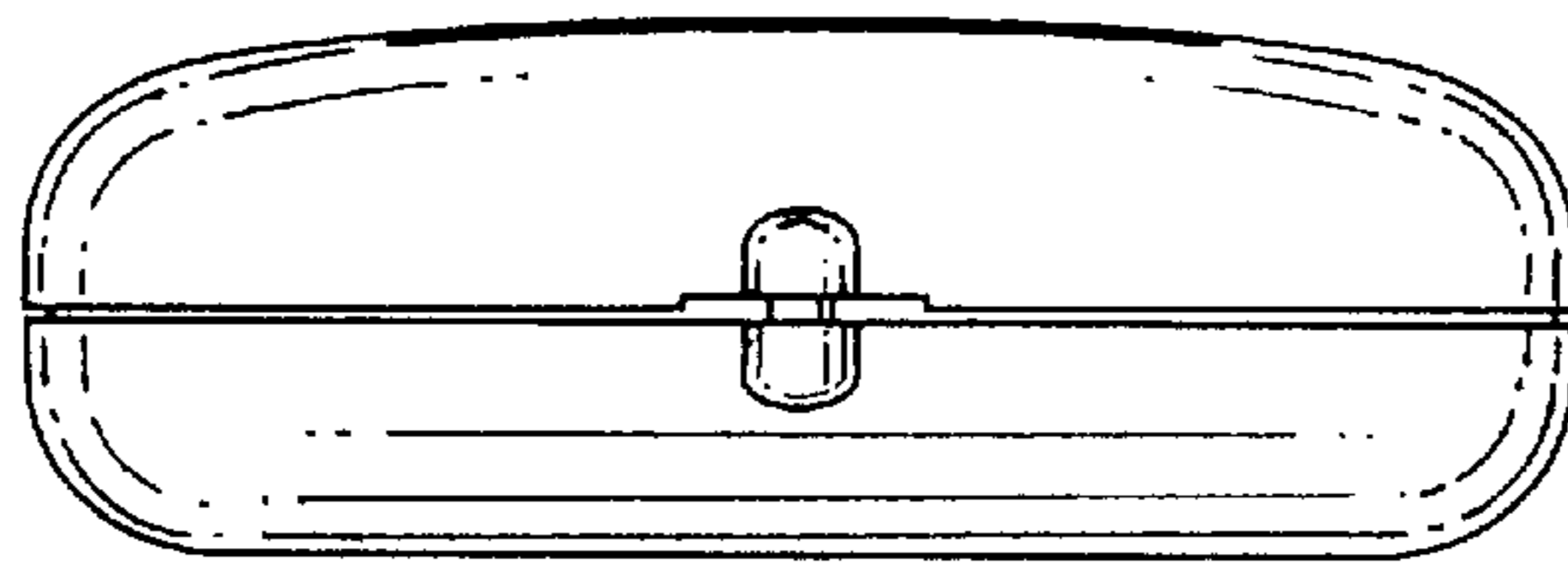


FIG. 2

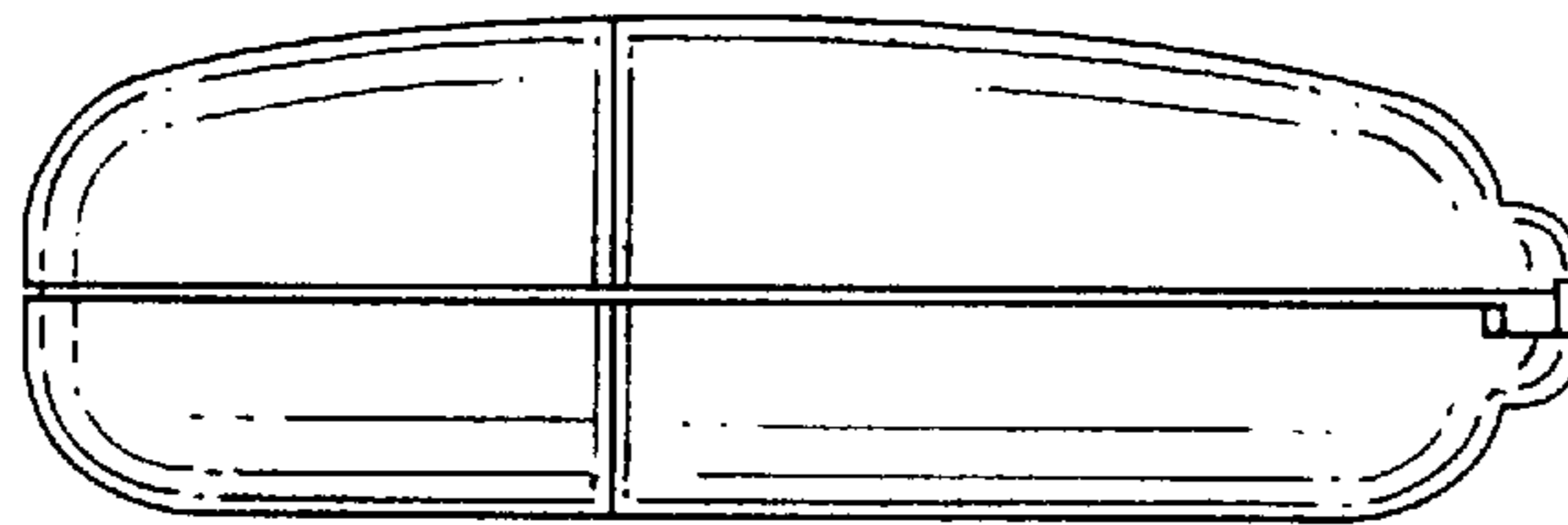


FIG. 3

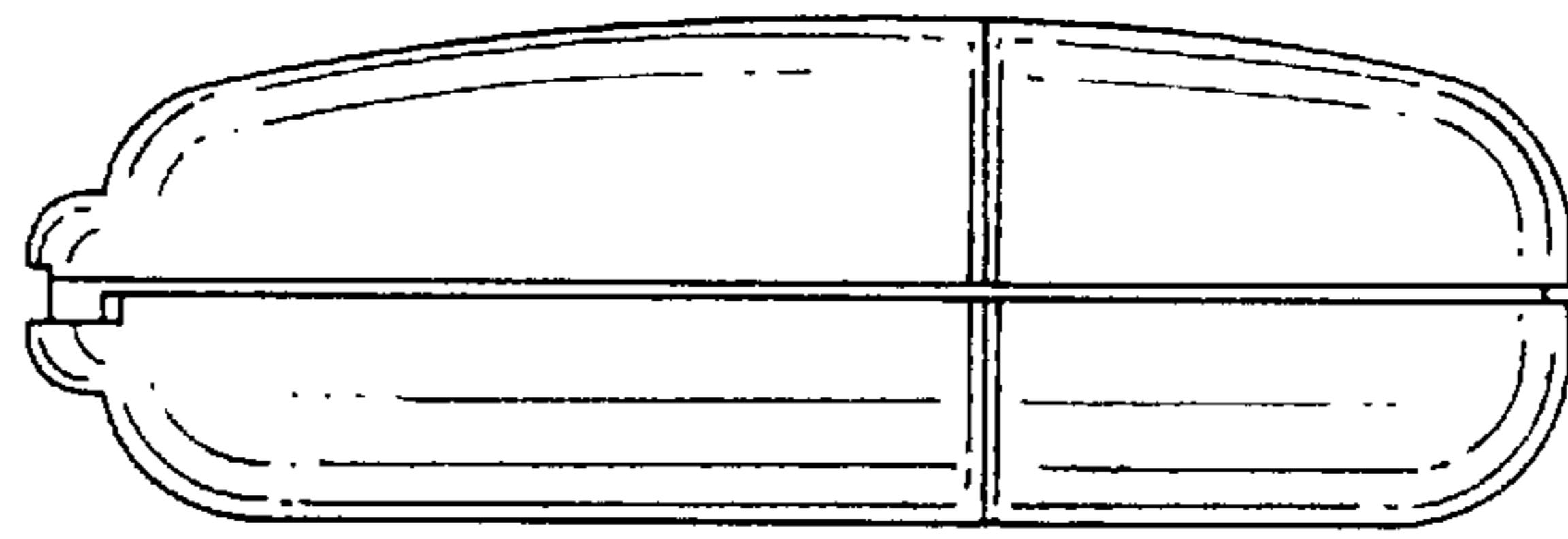


FIG. 4

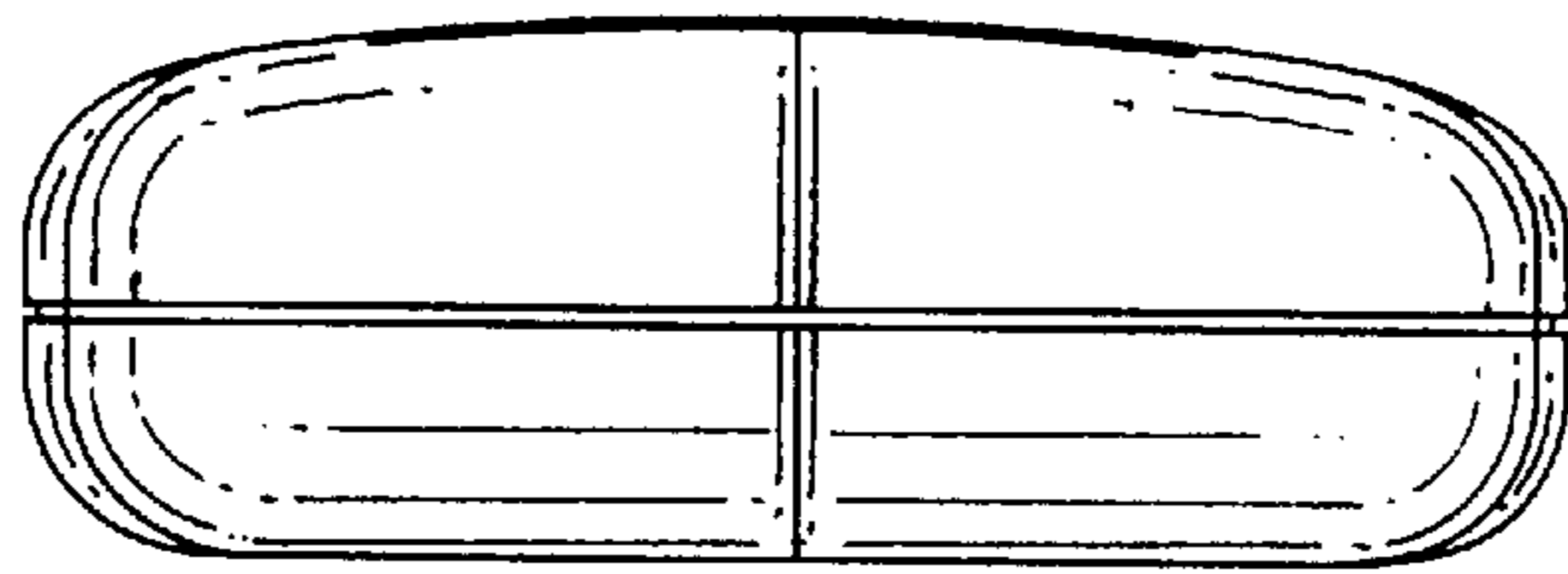


FIG. 5

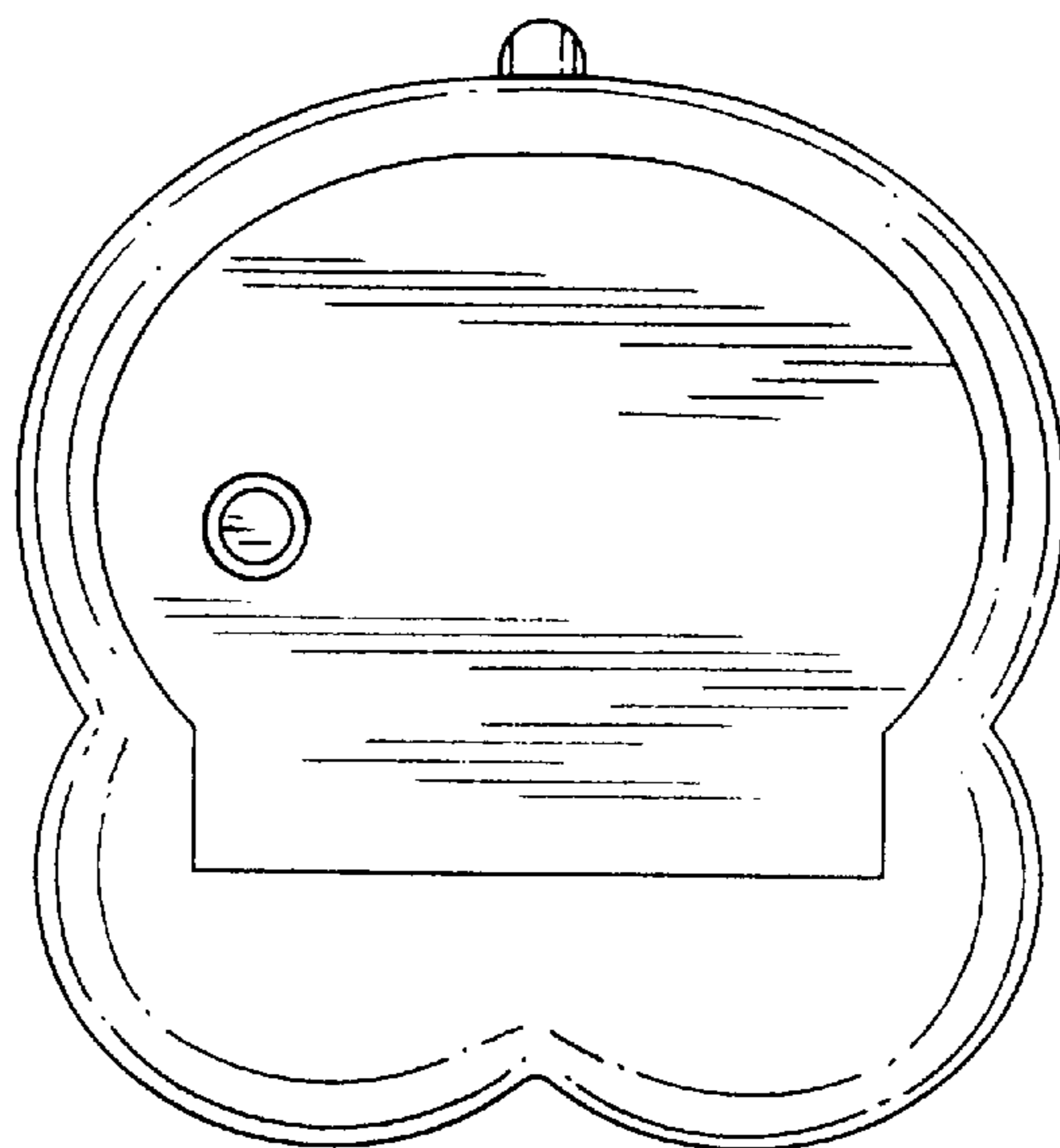


FIG. 6

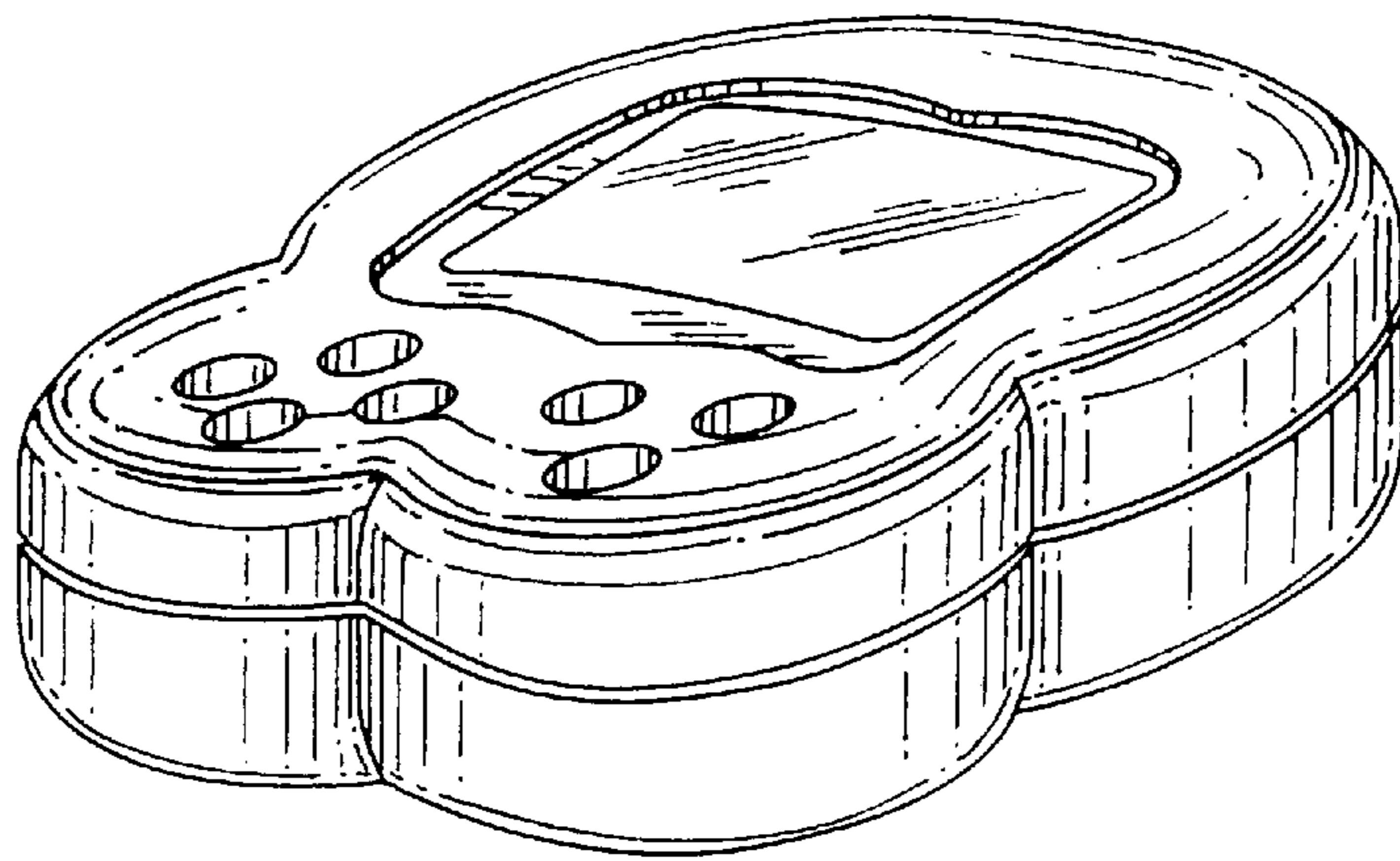


FIG. 7