



US00D399263S

**United States Patent** [19]  
**Christopher**

[11] **Patent Number:** **Des. 399,263**

[45] **Date of Patent:** **\*\*Oct. 6, 1998**

[54] **REAL ESTATE SIGN POST**

[76] **Inventor:** **Roderic N. Christopher**, 5400 Snow Spring Pl., Antelope, Calif. 95843

[\*\*] **Term:** **14 Years**

[21] **Appl. No.:** **79,453**

[22] **Filed:** **Nov. 17, 1997**

[51] **LOC (6) Cl.** ..... **20-02**

[52] **U.S. Cl.** ..... **D20/41**

[58] **Field of Search** ..... D20/10, 41, 17;  
40/218, 584, 607, 606, 617; 248/156, 545;  
D25/126, 127

[56] **References Cited**

**U.S. PATENT DOCUMENTS**

D. 285,220	8/1986	Cooper et al.	.....	D20/42
D. 314,054	1/1991	Meyer	.....	D25/126
4,793,082	12/1988	Petrick et al.	.....	40/617
4,843,746	7/1989	DesNoyers et al.	.....	40/607

*Primary Examiner*—Susan J. Lucas  
*Assistant Examiner*—Jennifer Rivard  
*Attorney, Agent, or Firm*—Lothrop & West

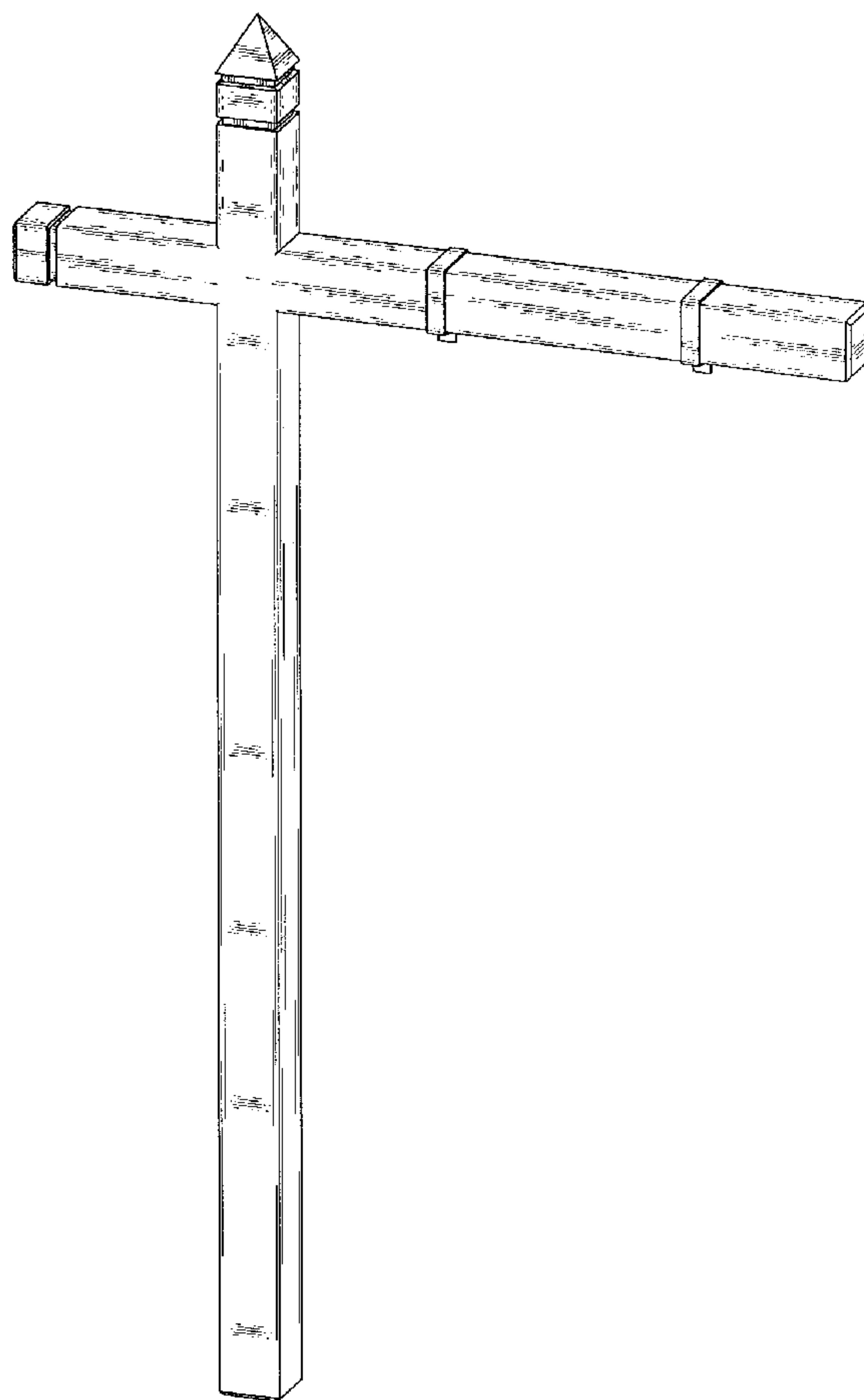
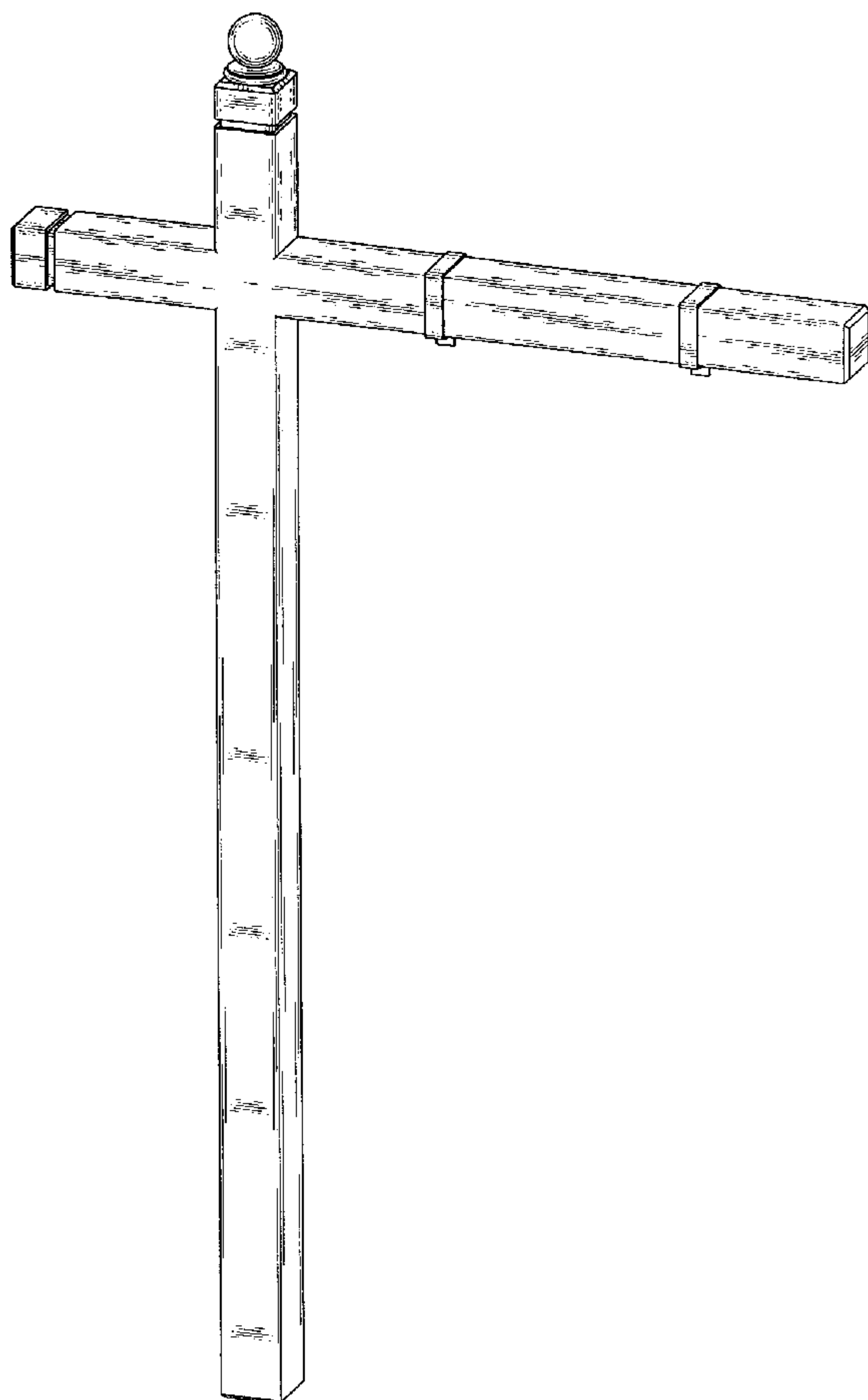
[57] **CLAIM**

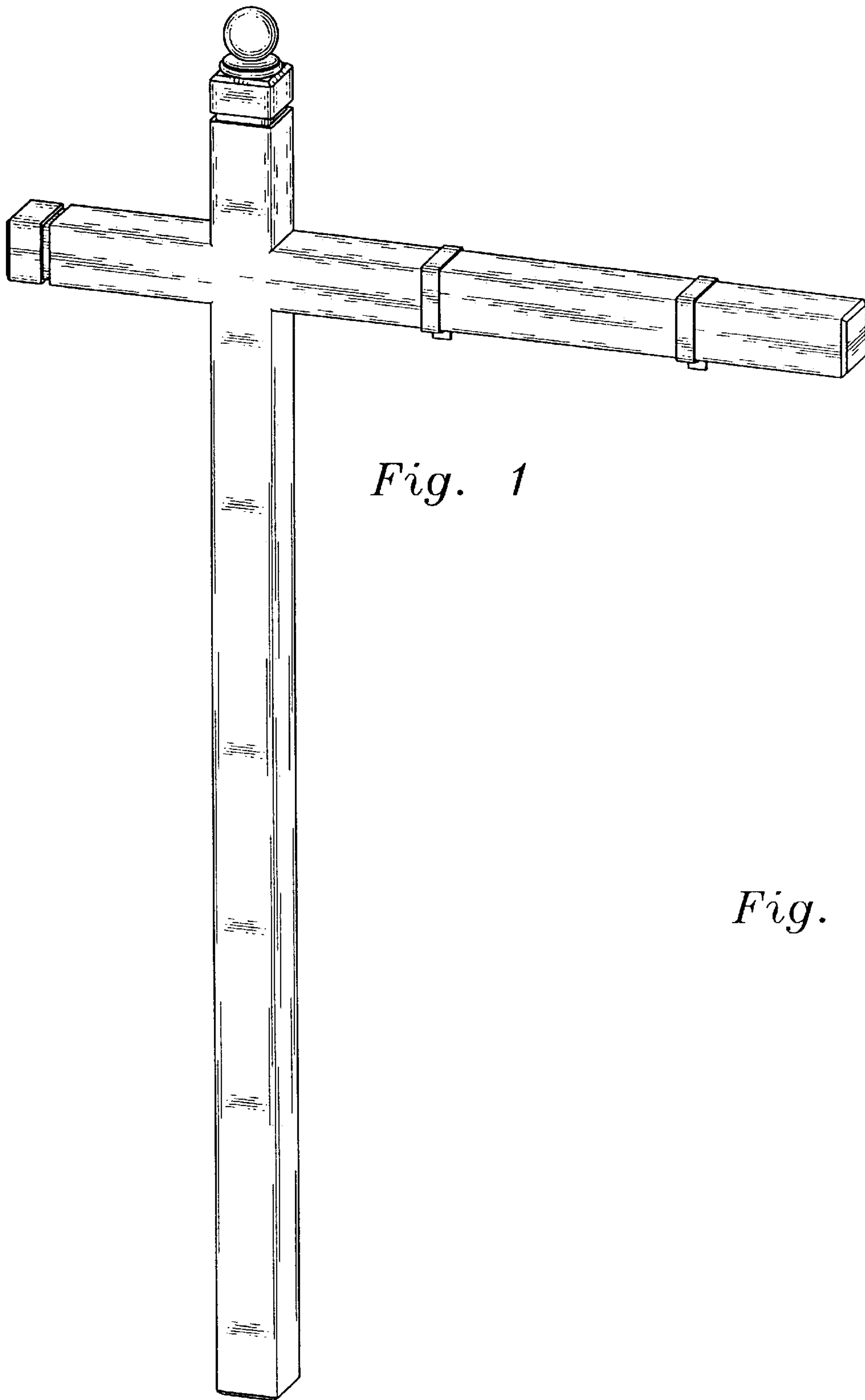
The ornamental design for a real estate sign post, as shown and described.

**DESCRIPTION**

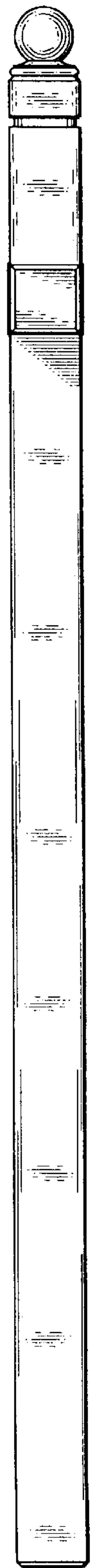
FIG. 1 is a front left perspective view of a real estate sign post, with spherical finial, showing my new design; FIG. 2 is a left side elevation view; FIG. 3 is a top plan view; FIG. 4 is a front elevational view, the rear, undisclosed elevation being a mirror image; FIG. 5 is a right side elevation view; FIG. 6 is a bottom plan view; FIG. 7 is a front left perspective view of a second embodiment, with pyramidal finial; FIG. 8 is a left side elevation view; FIG. 9 is a top plan view; FIG. 10 is a front elevational view, the rear, undisclosed elevation being a mirror image; FIG. 11 is a right side elevation view; and, FIG. 12 is a bottom plan view. The broken line representations of a suspended information panel in FIGS. 2 and 10 are intended merely to indicate the environment and form no part of the claimed design.

**1 Claim, 4 Drawing Sheets**





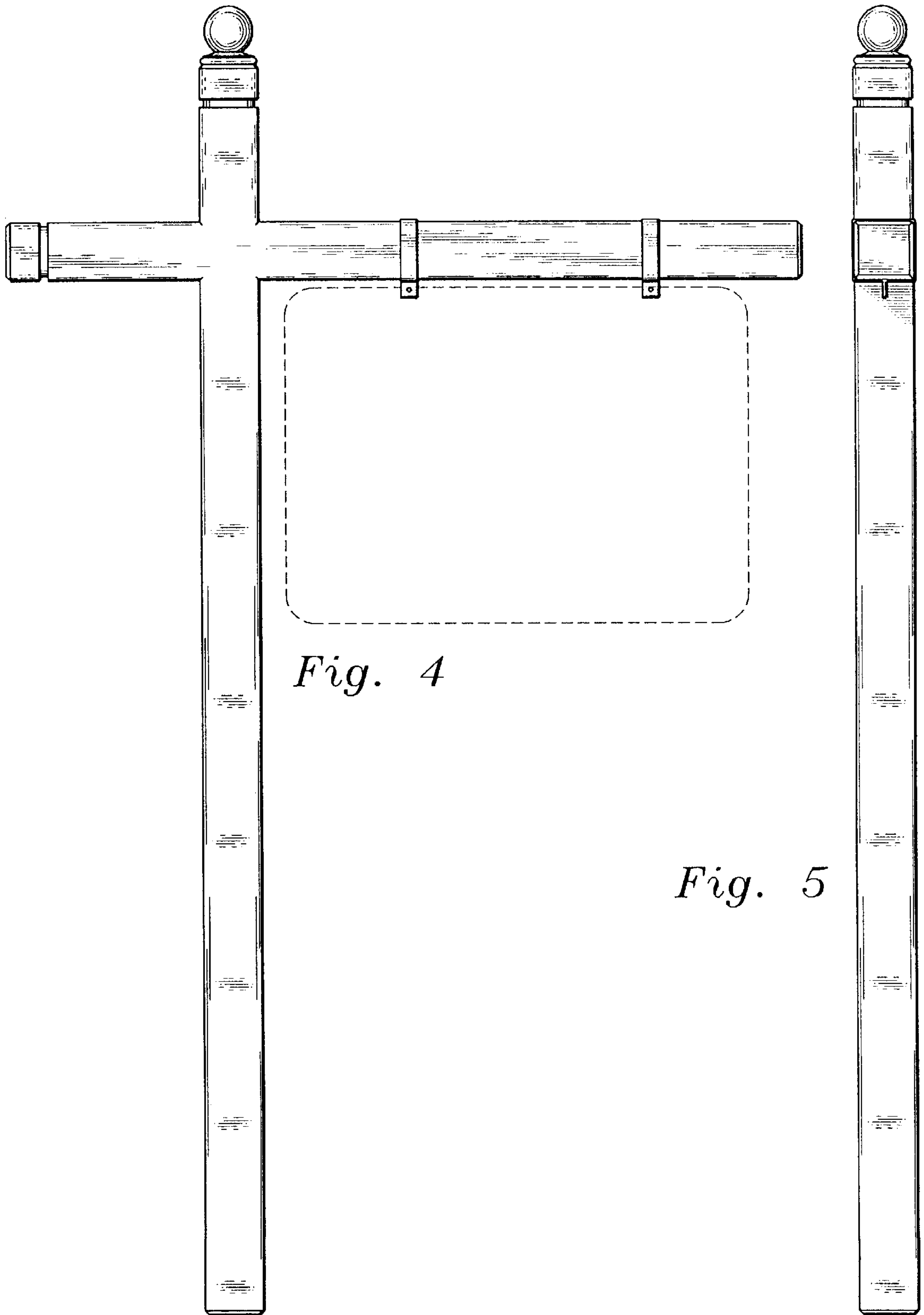
*Fig. 1*



*Fig. 2*



*Fig. 3*

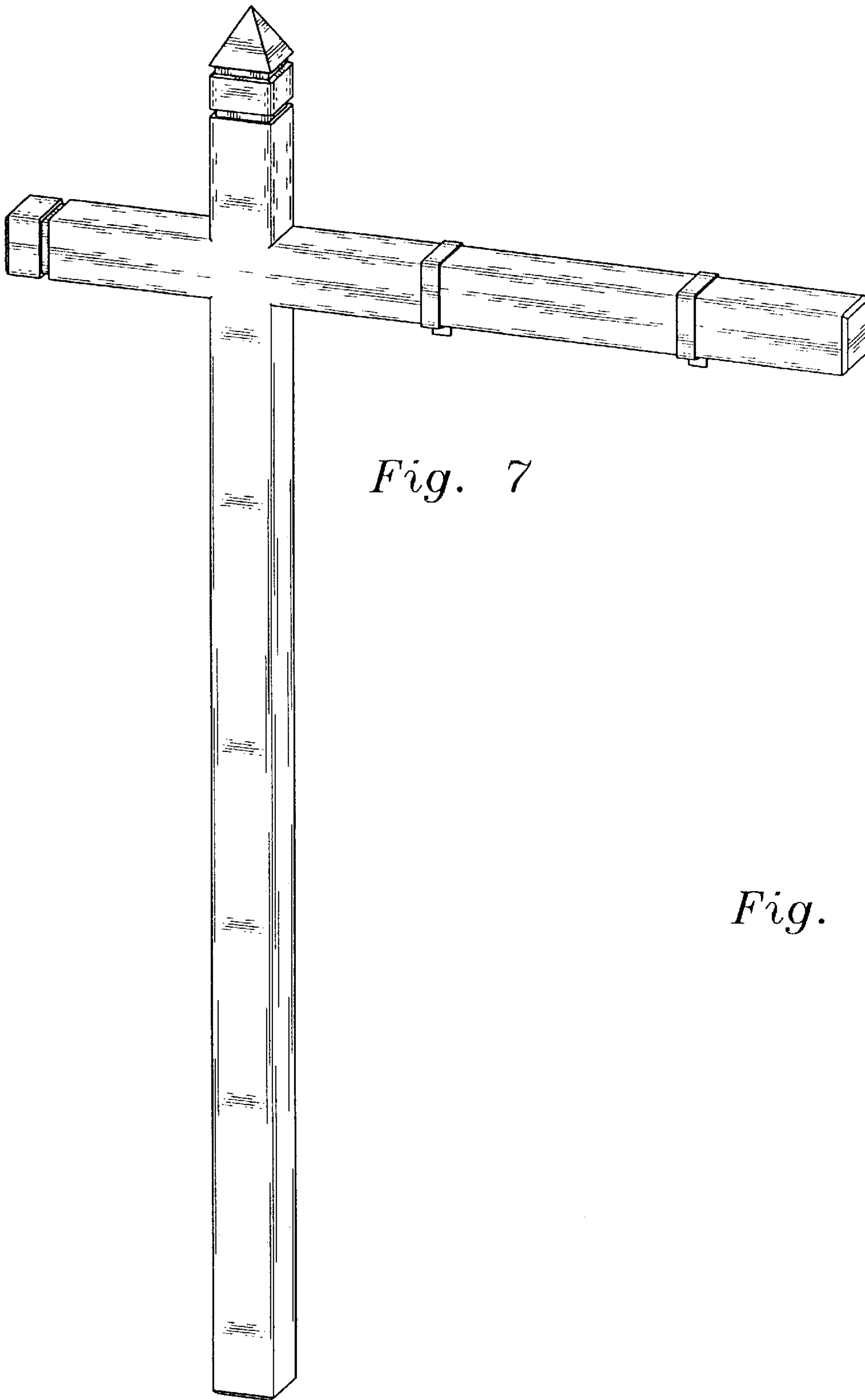


*Fig. 4*

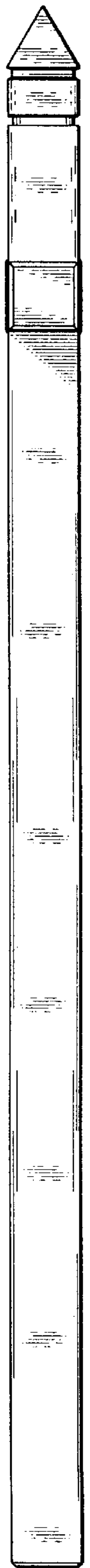
*Fig. 5*

*Fig. 6*





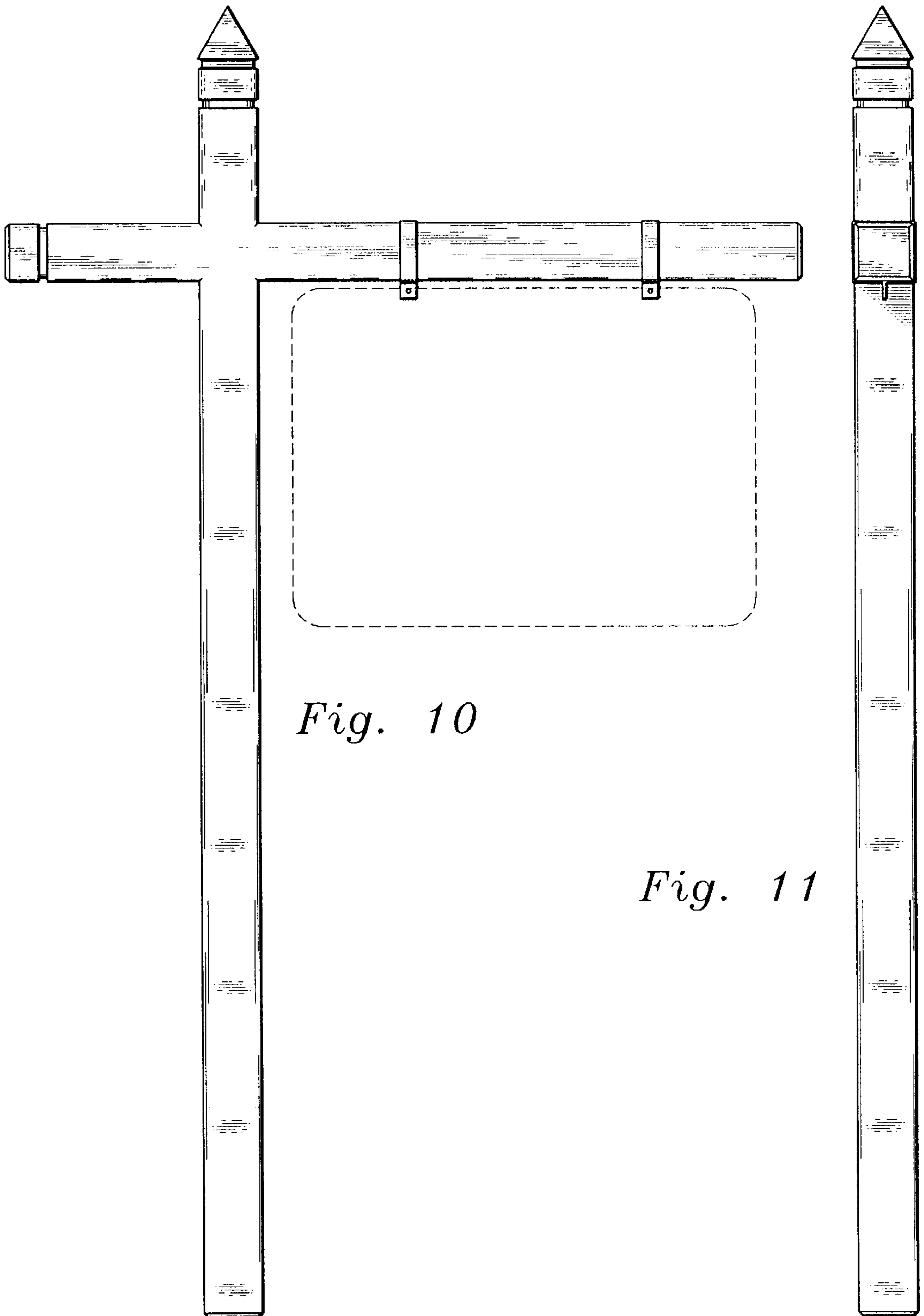
*Fig. 7*



*Fig. 8*



*Fig. 9*



*Fig. 10*

*Fig. 11*

*Fig. 12*

