



US00D399262S

**United States Patent** [19]  
**Turner**

[11] **Patent Number: Des. 399,262**

[45] **Date of Patent: \*\*Oct. 6, 1998**

[54] **PORTABLE ATTENTION SIGN**

*Assistant Examiner*—Jennifer Rivard

[76] Inventor: **Leigh A. Turner**, 5831 Country Way,  
New Palestine, Ind. 46163

[57] **CLAIM**

The ornamental design for a portable attention sign, as shown and described.

[\*\*] Term: **14 Years**

**DESCRIPTION**

[21] Appl. No.: **76,229**

FIG. 1 is a front elevation view of the portable attention sign of the present invention;

[22] Filed: **Sep. 5, 1997**

FIG. 2 is a back elevation view of the portable attention sign of FIG. 1;

[51] **LOC (6) Cl.** ..... **20-03**

[52] **U.S. Cl.** ..... **D20/41; D20/17; D10/109**

[58] **Field of Search** ..... 116/63 R; 40/584,  
40/606, 612, 617; D20/10, 17, 41; D10/109

FIG. 3 is a left side elevation view of the portable attention sign of FIG. 1;

[56] **References Cited**

**U.S. PATENT DOCUMENTS**

5,675,923 10/1997 Sarkisian et al. .... 40/612

FIG. 4 is a right side elevation view of the portable attention sign of FIG. 1;

**OTHER PUBLICATIONS**

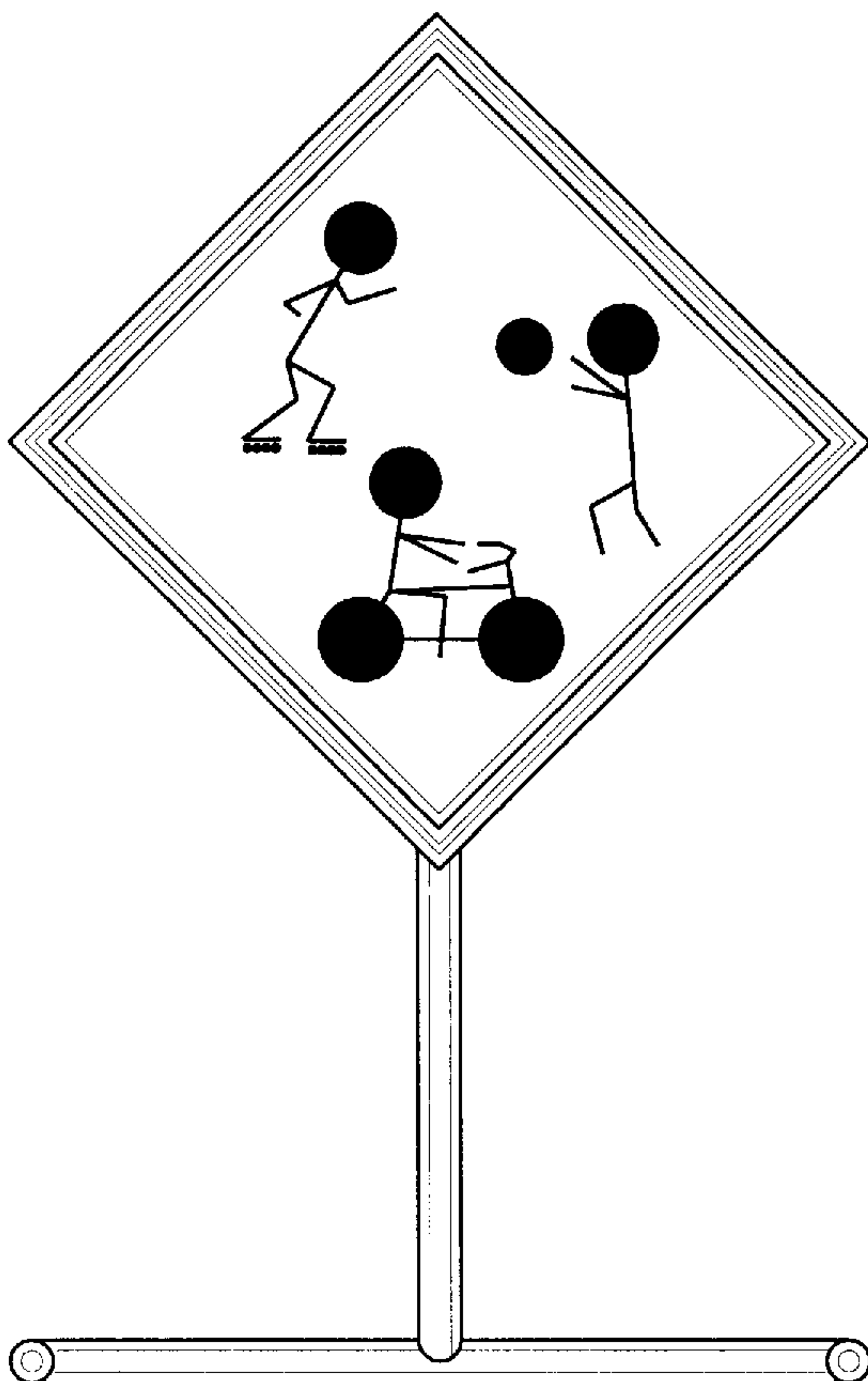
Traffic Signs, W15-1, Electric Lites Co., p. 6, Visual Signals  
Publication Box, Nov. 1979.

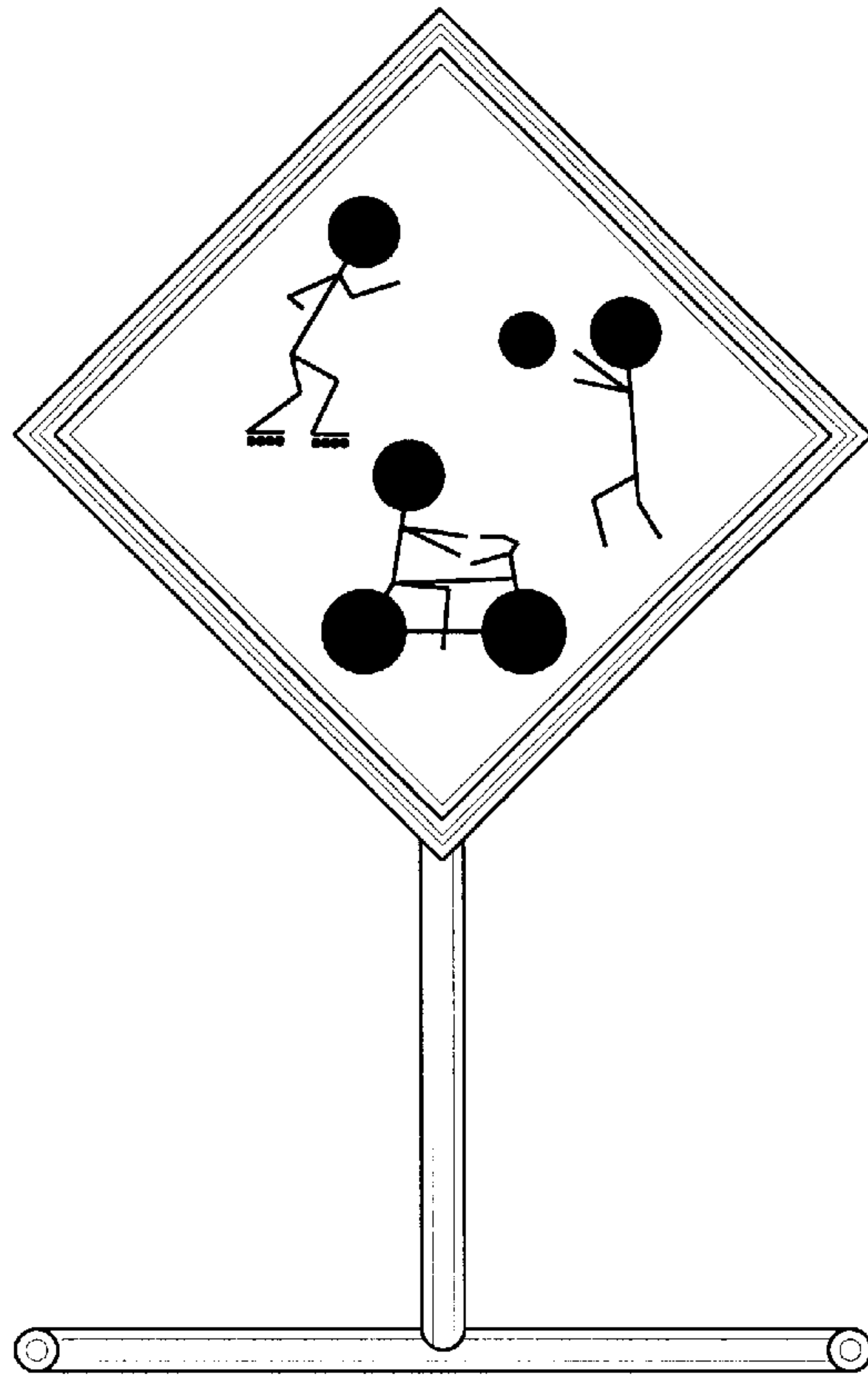
FIG. 5 is a top plan view of the portable attention sign of FIG. 1; and,

FIG. 6 is a bottom plan view of the portable attention sign of FIG. 1.

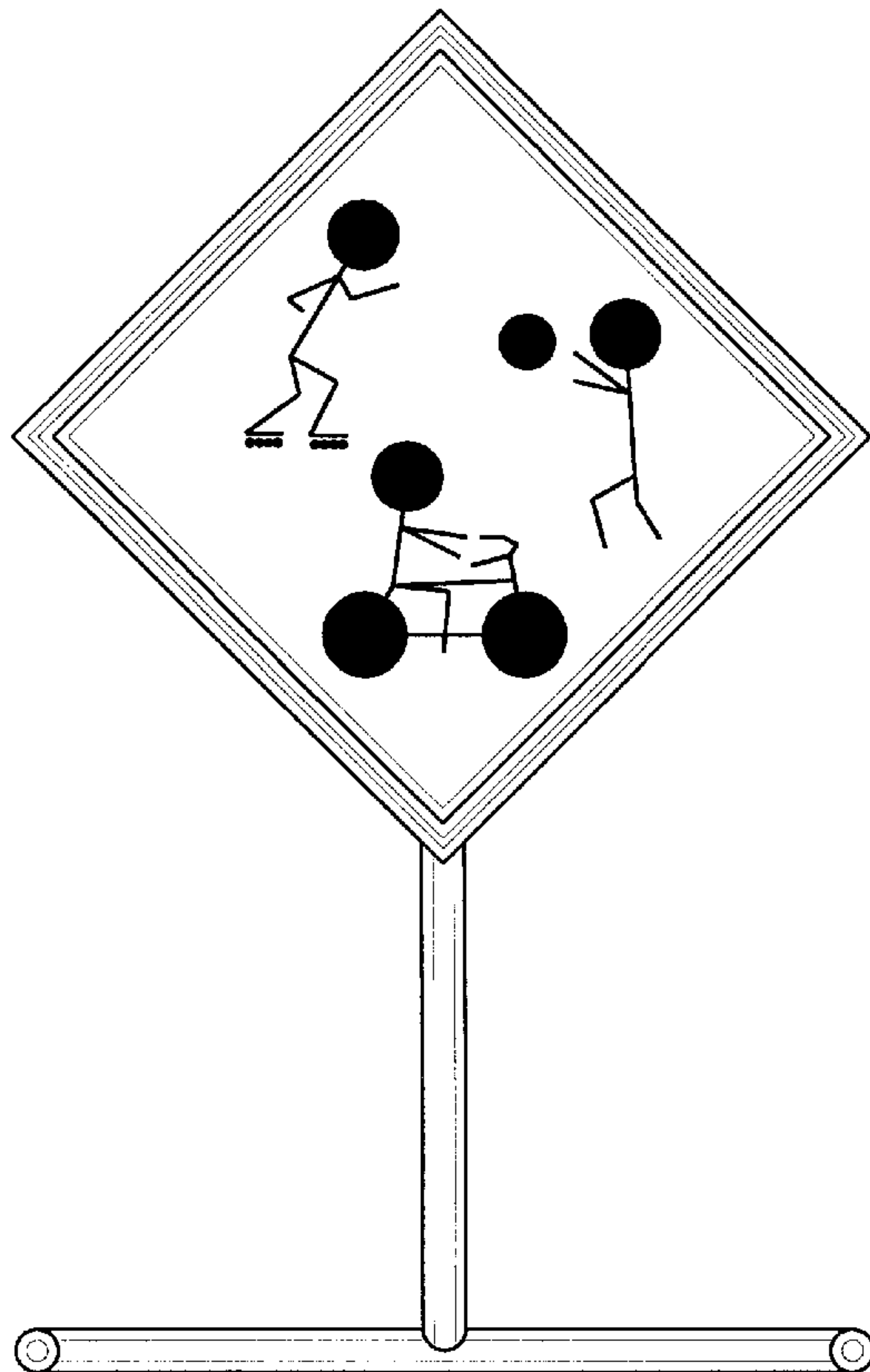
*Primary Examiner*—Susan J. Lucas

**1 Claim, 3 Drawing Sheets**

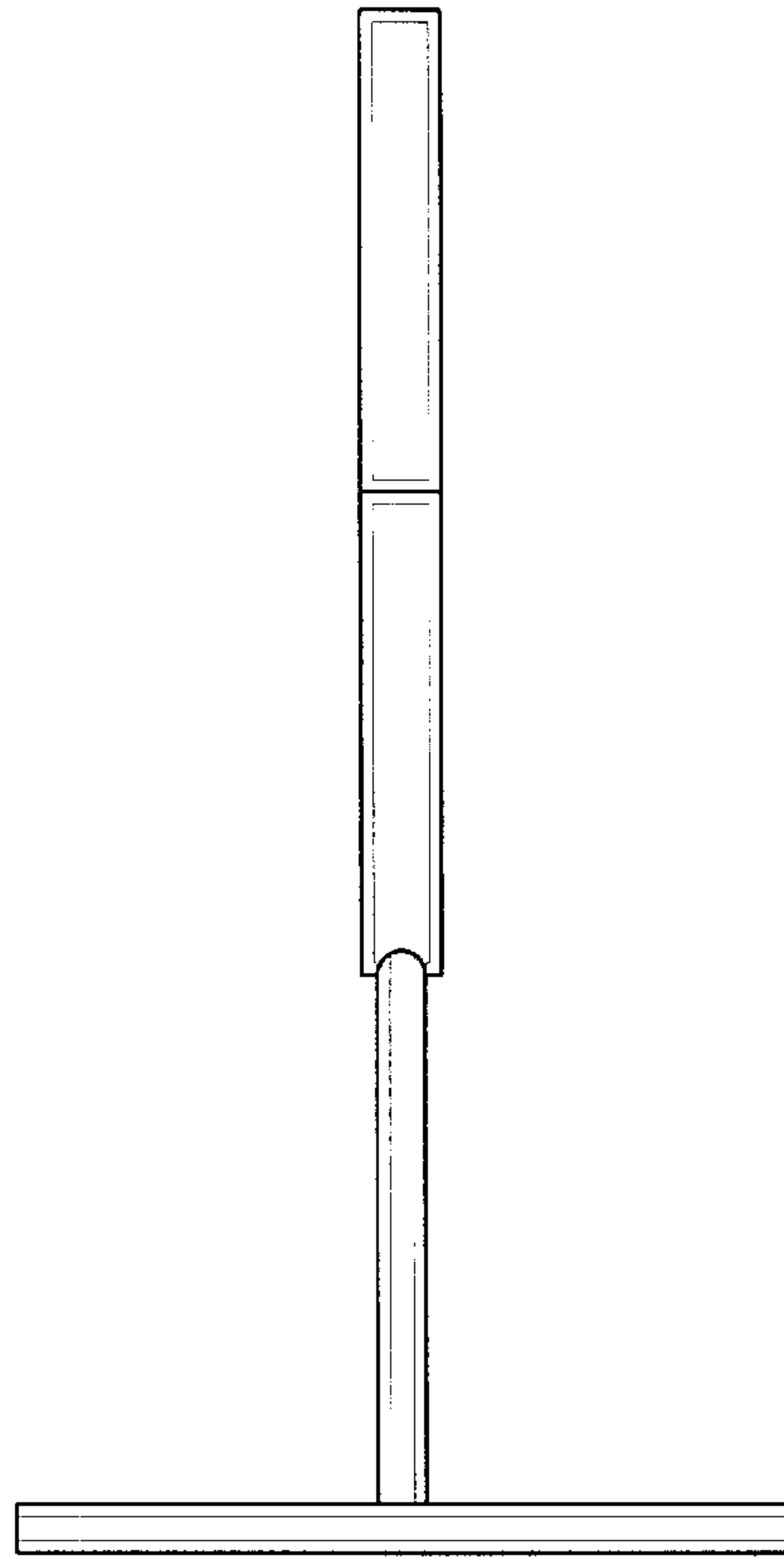




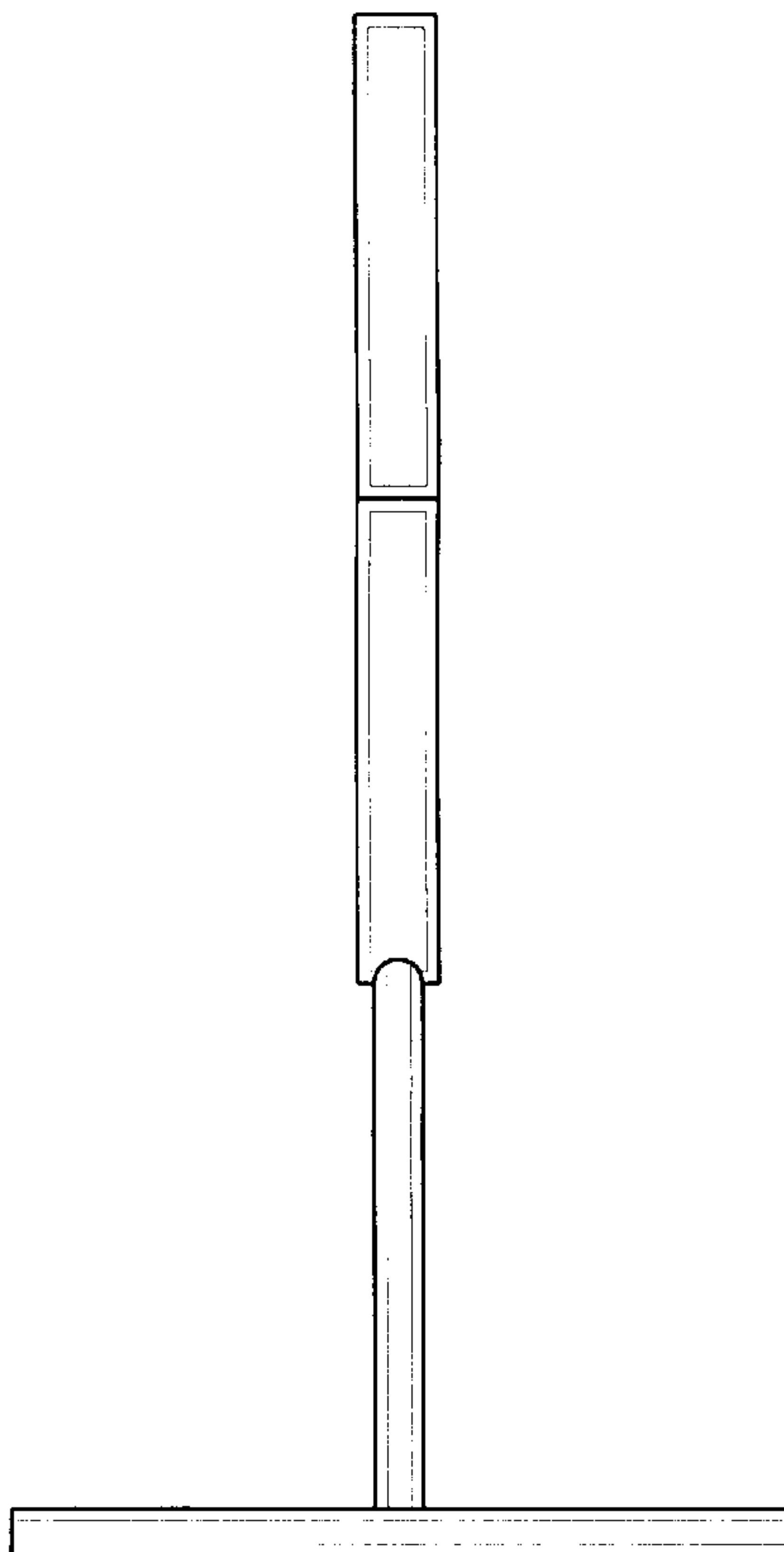
*Fig. 1*



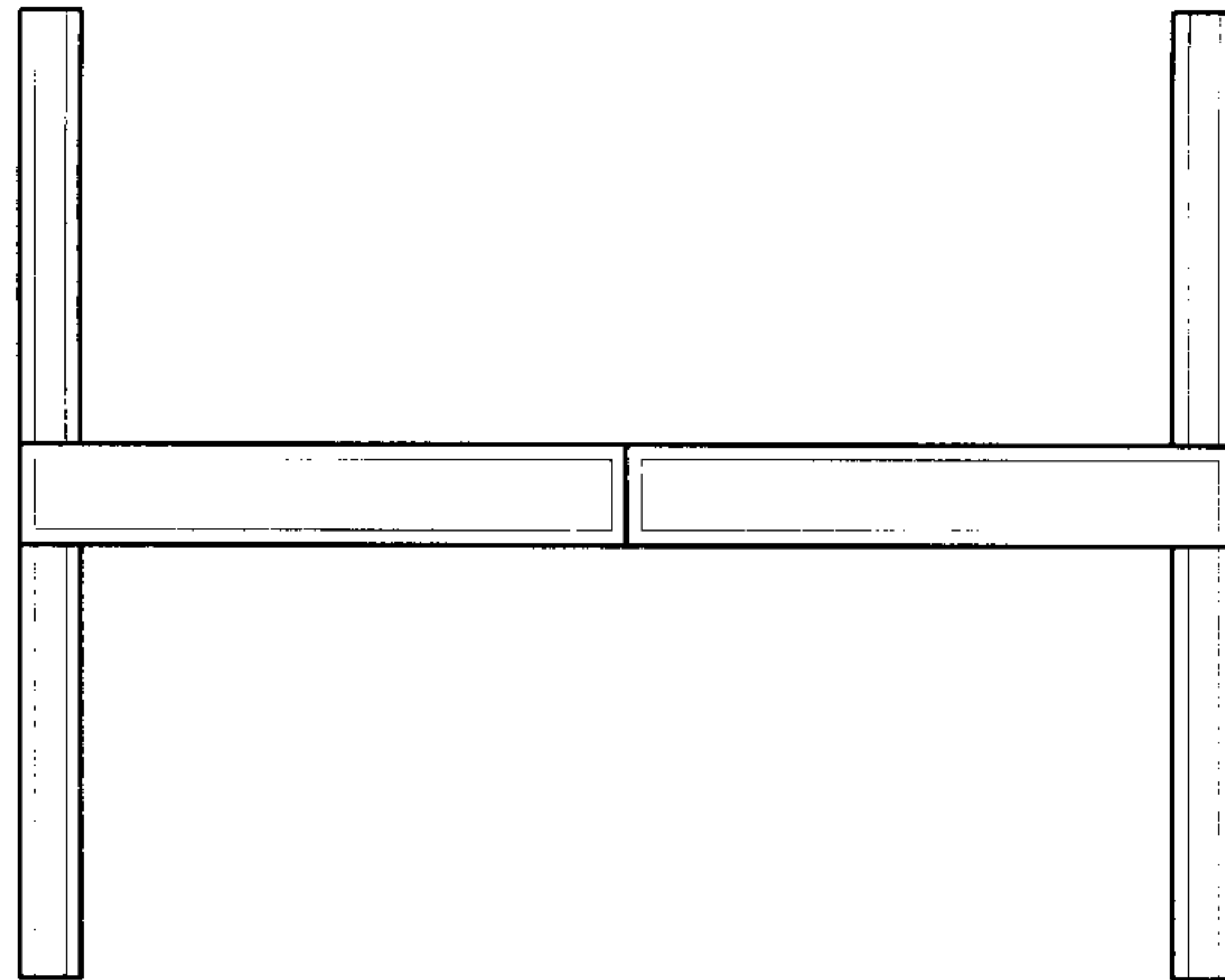
*Fig. 2*



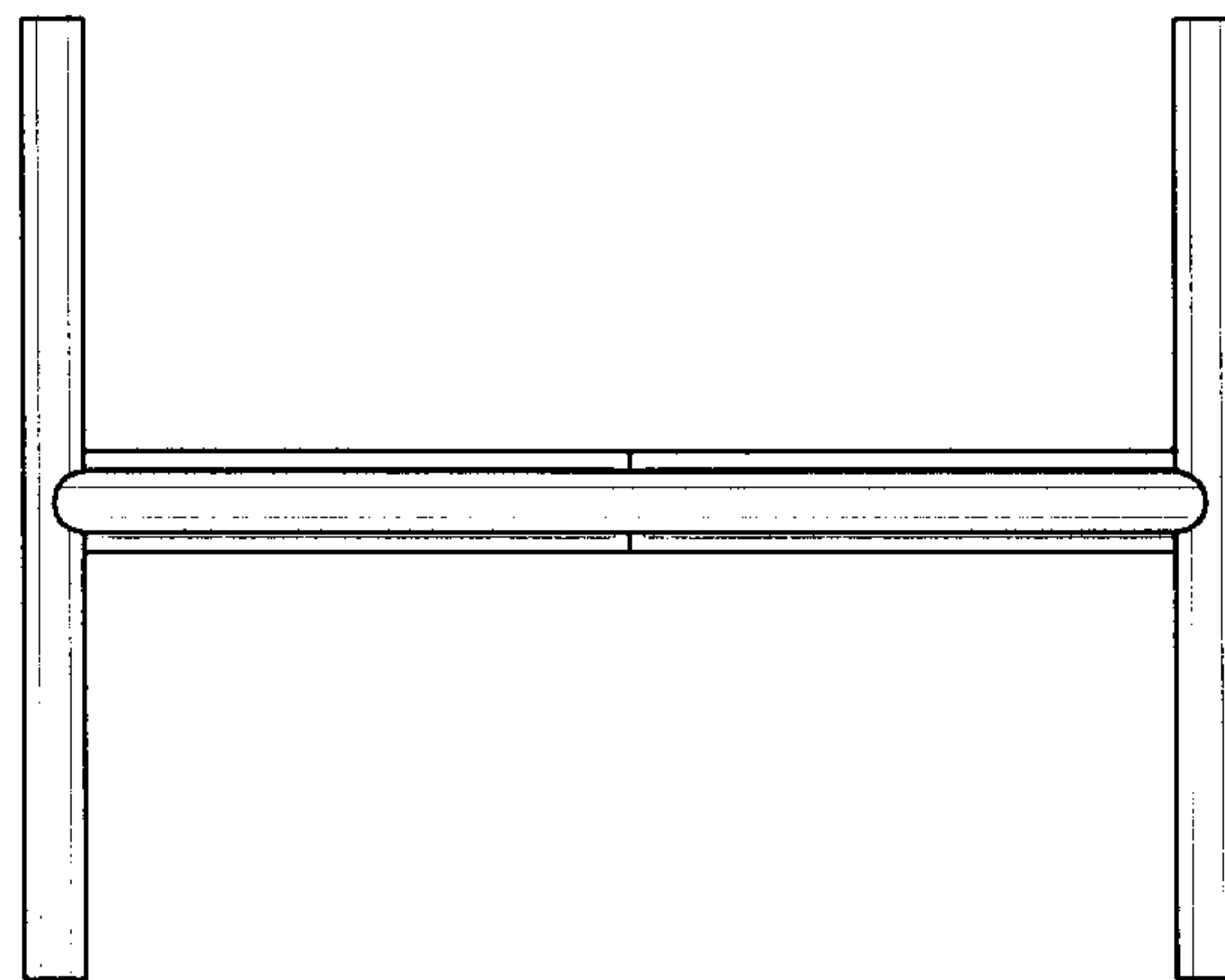
*Fig. 3*



*Fig. 4*



*Fig. 5*



*Fig. 6*