



US00D399258S

# United States Patent [19] Rawlins

[11] **Patent Number: Des. 399,258**

[45] **Date of Patent: \*\*Oct. 6, 1998**

[54] **VENDING MACHINE**

4,023,704 5/1977 Pitel et al. .... 221/75  
4,823,984 4/1989 Ficken ..... 221/96

[76] Inventor: **Mark Wayne Rawlins**, 18165 - 58th Avenue, Surrey, British Columbia, Canada, V3S 1M2

### OTHER PUBLICATIONS

Automatic Products Catalog, 110 Series Snackshop, Model 113; copyright 1991, Dec. 1996.

[\*\*] Term: **14 Years**

*Primary Examiner*—Sandra L. Morris  
*Attorney, Agent, or Firm*—Bull, Housser & Tupper

[21] Appl. No.: **75,182**

[22] Filed: **Aug. 20, 1997**

### [57] CLAIM

The ornamental design for a vending machine, as shown.

[51] **LOC (6) Cl.** ..... **20-01**

[52] **U.S. Cl.** ..... **D20/4**

[58] **Field of Search** ..... D20/1-9; 194/350;  
221/75, 92, 96, 97, 128, 155, 196, 281,  
284

### DESCRIPTION

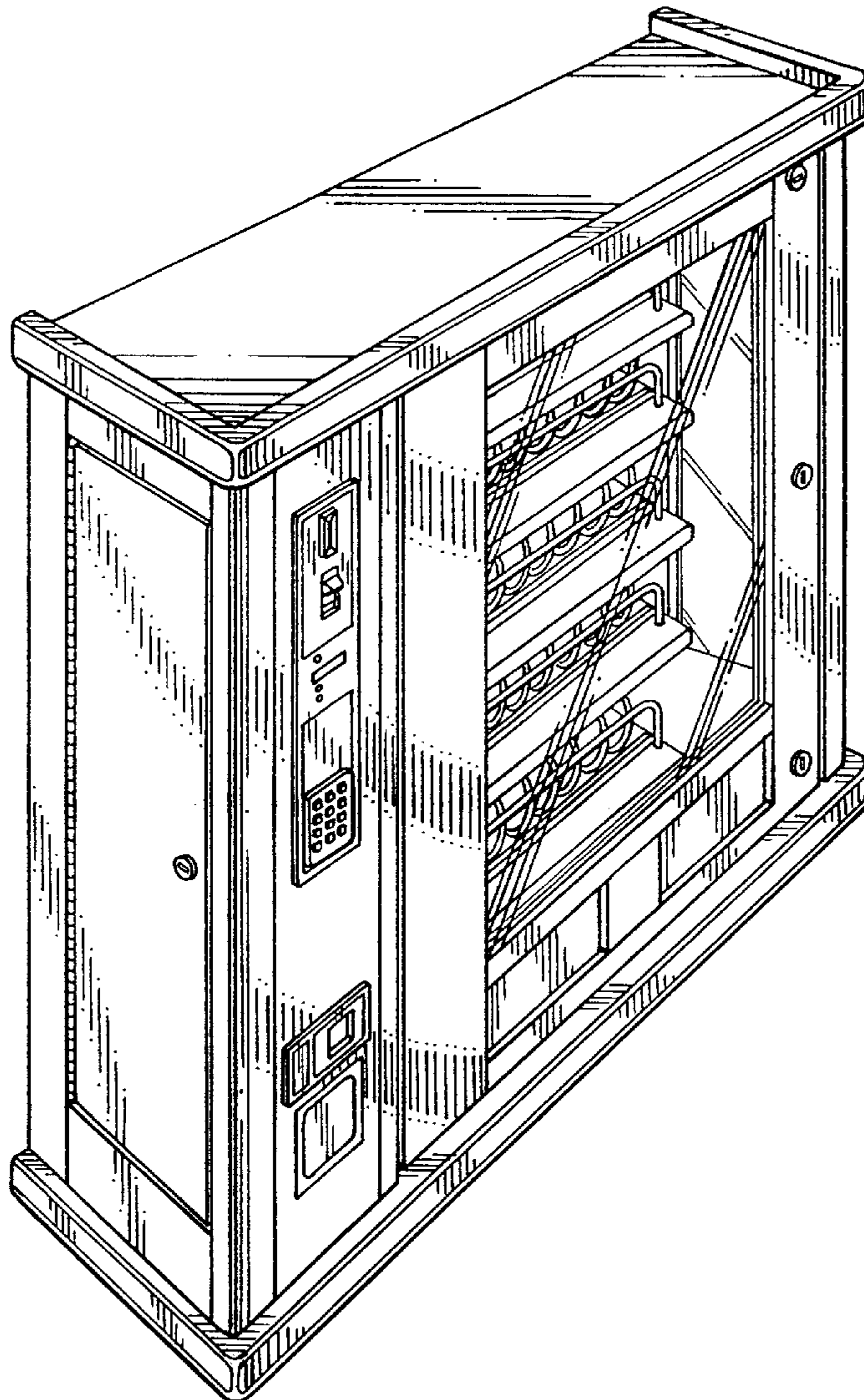
FIG. 1 is a front perspective view of the design;  
FIG. 2 is a top plan view thereof;  
FIG. 3 is a front elevation thereof;  
FIG. 4 is a bottom plan view thereof;  
FIG. 5 is a rear elevation thereof;  
FIG. 6 is a side elevation thereof; and,  
FIG. 7 is a side elevation from opposite side thereof.

### [56] References Cited

#### U.S. PATENT DOCUMENTS

D. 315,174 3/1991 Ficken ..... D20/4  
D. 341,162 11/1993 Kreitz ..... D20/4  
3,344,953 10/1967 Krakauer et al. .... 231/75

**1 Claim, 3 Drawing Sheets**



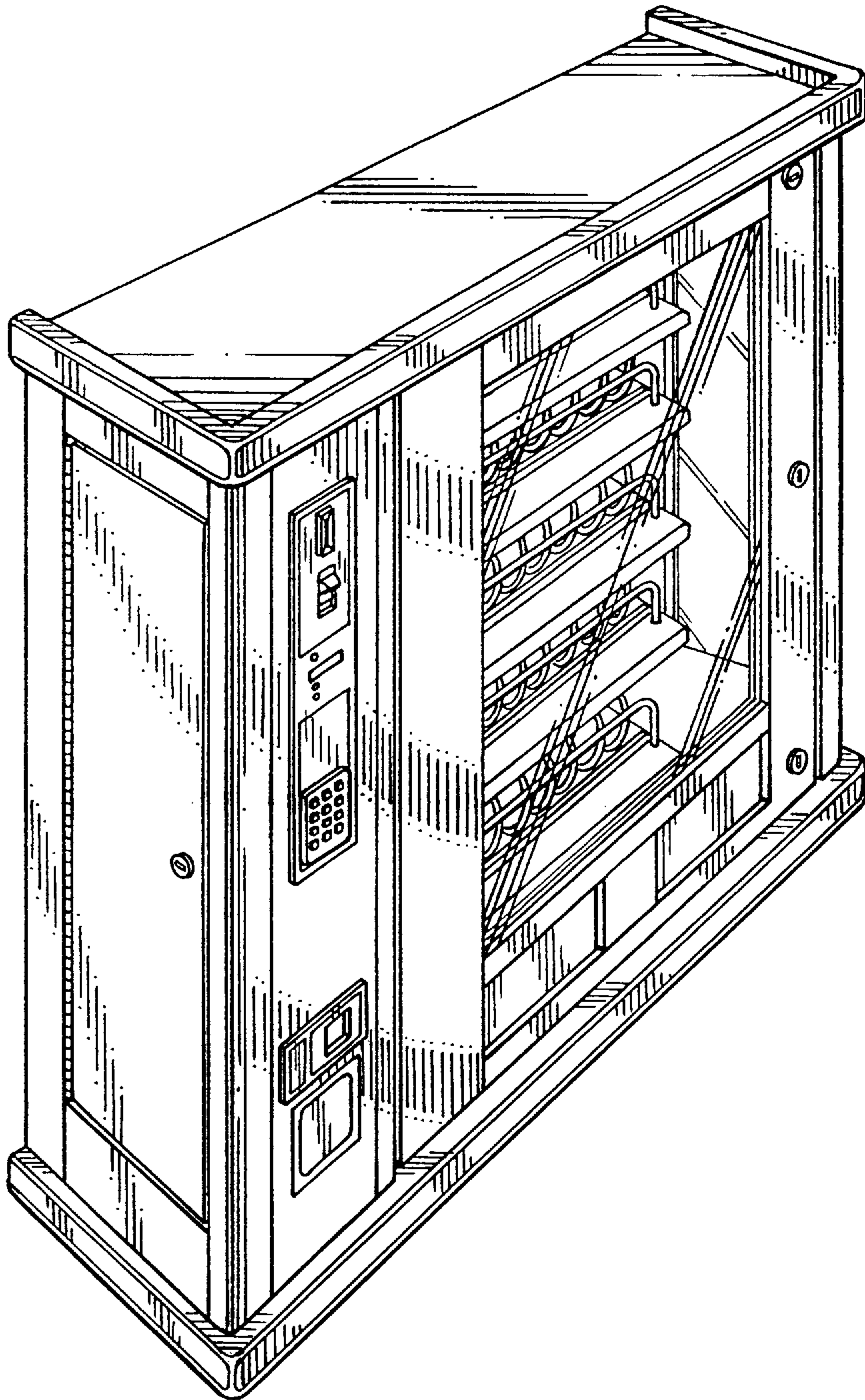


FIG. 1

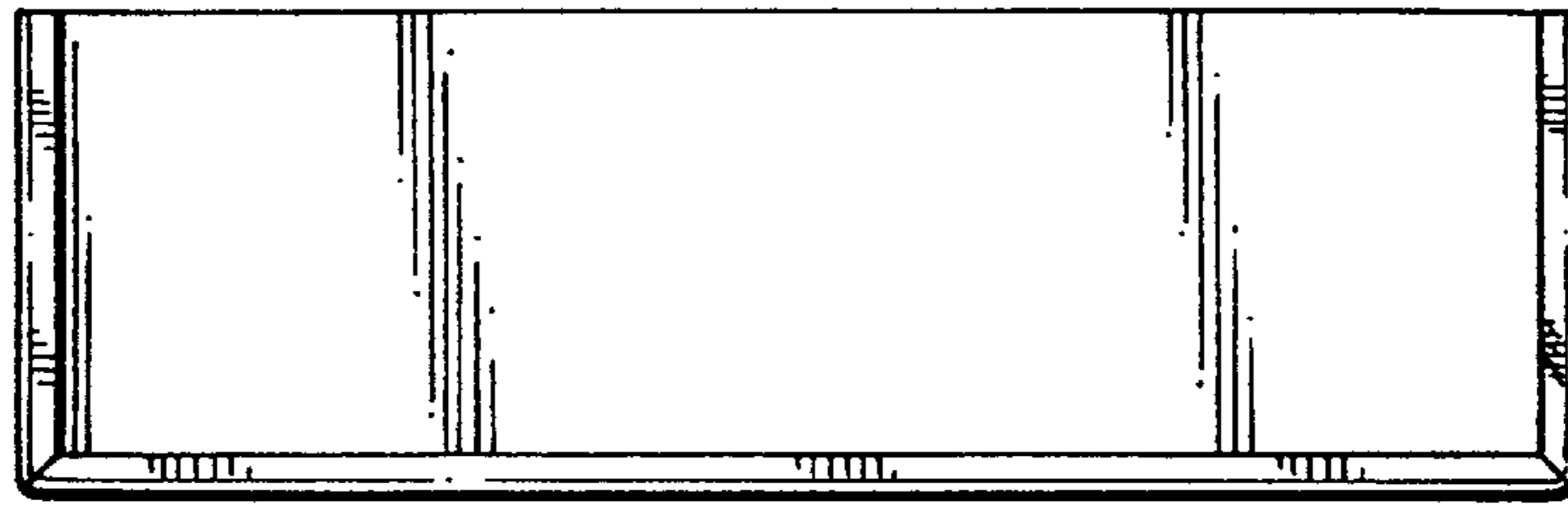


FIG. 2

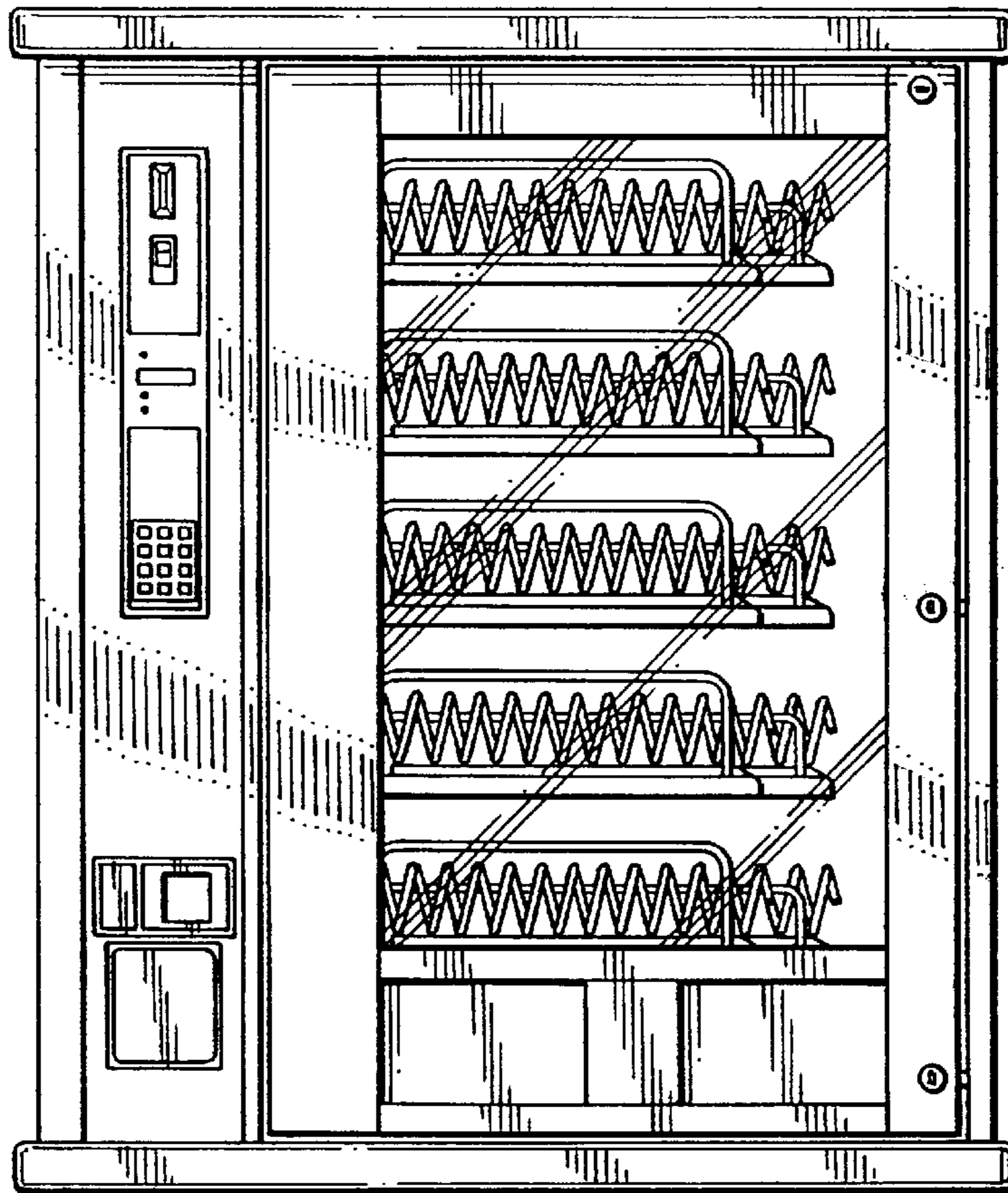


FIG. 3

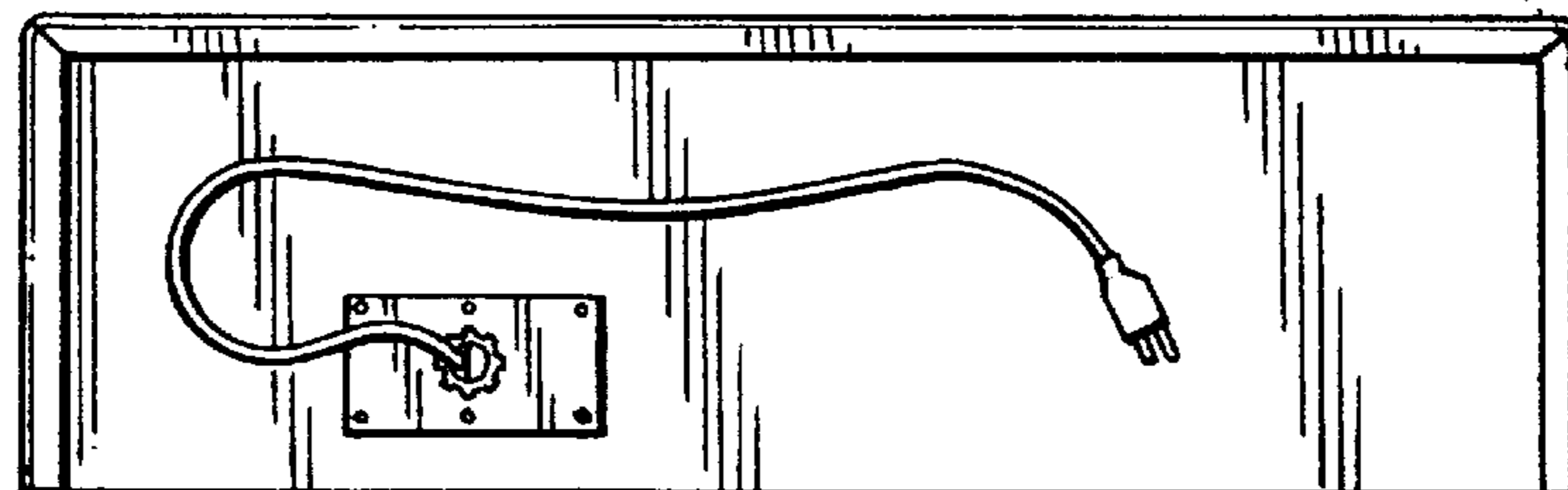


FIG. 4



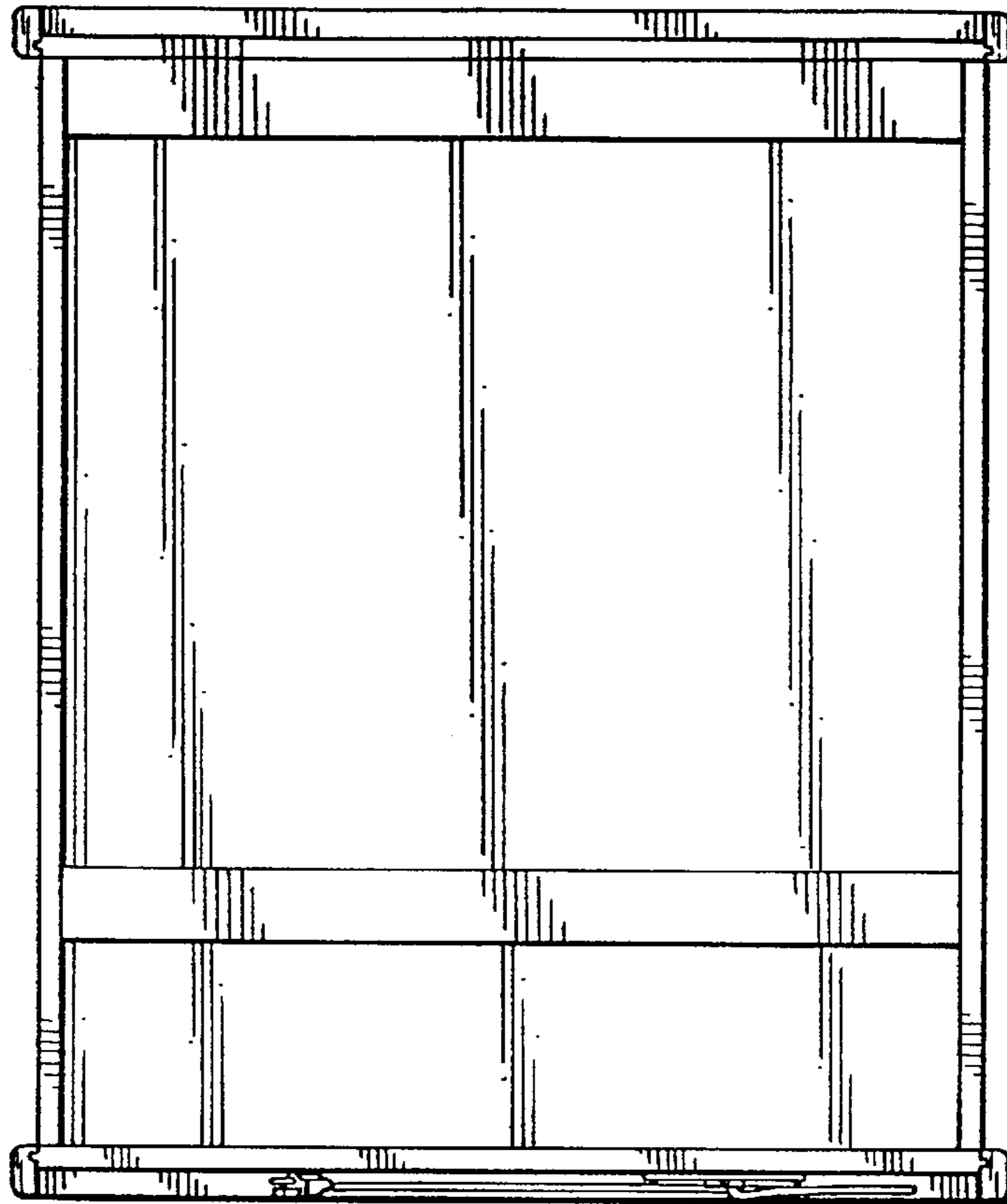


FIG. 5

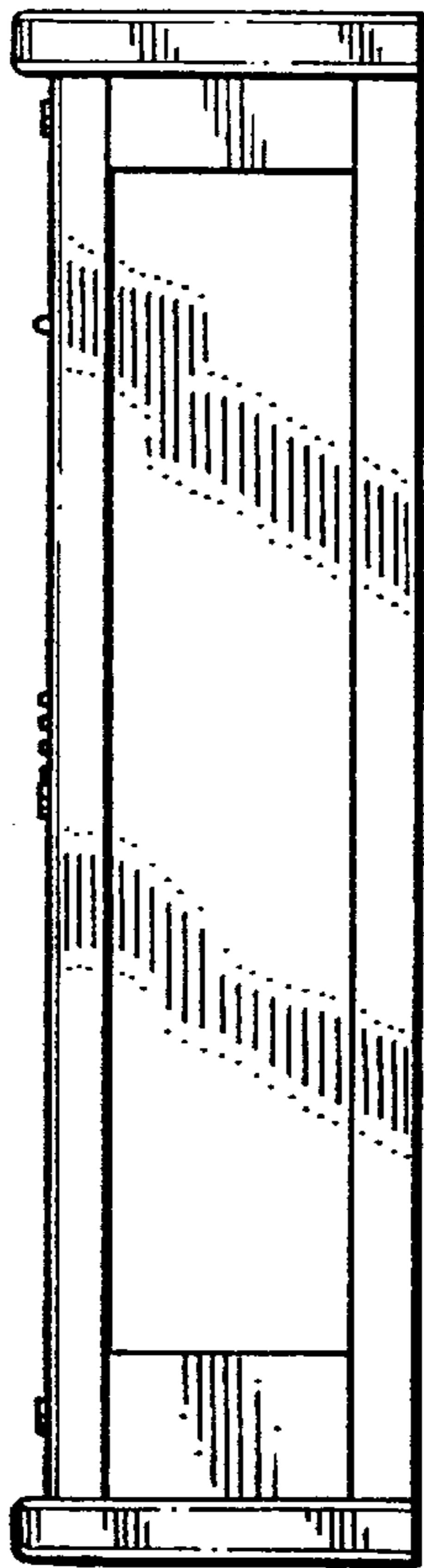


FIG. 6

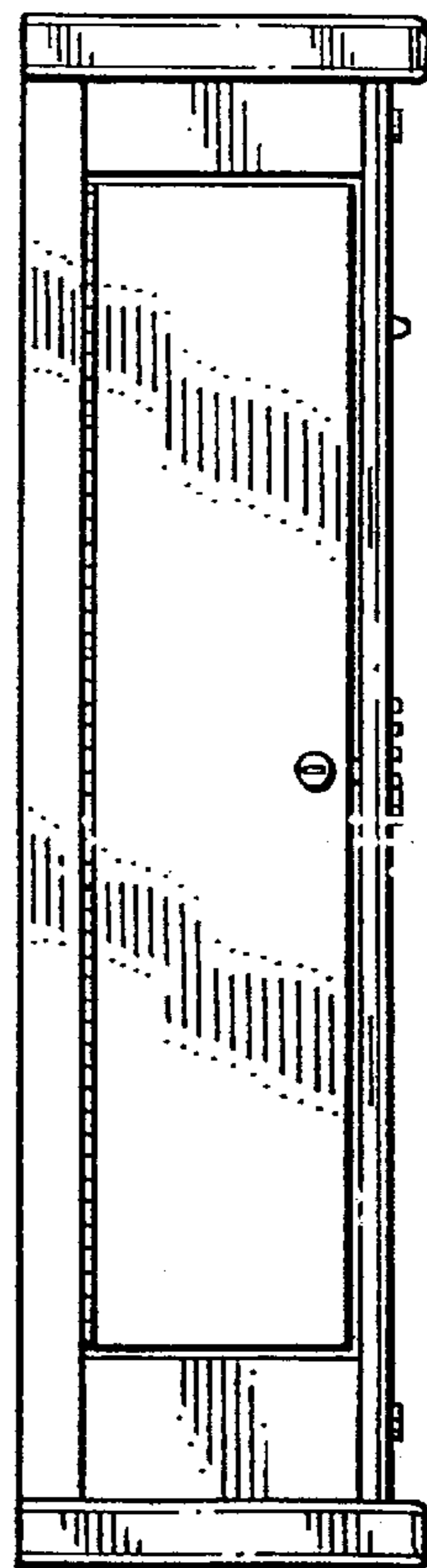


FIG. 7