



US00D399257S

# United States Patent [19]

Tang et al.

[11] Patent Number: **Des. 399,257**

[45] Date of Patent: **\*\*Oct. 6, 1998**

[54] **TAPE DISPENSER**

[76] Inventors: **Jow-Lin Tang**, 524 Green Acre Dr., Fullerton, Calif. 92635; **Wu-Hsiung Chung**, 3848 E. Mandeville Pl., Orange, Calif. 92667

[\*\*] Term: **14 Years**

[21] Appl. No.: **78,709**

[22] Filed: **Oct. 31, 1997**

[51] **LOC (6) Cl.** ..... **19-02**

[52] **U.S. Cl.** ..... **D19/69; D19/67; D19/65**

[58] **Field of Search** ..... D19/65, 66, 67, D19/68, 69, 95, 99, 100; 225/6, 7, 19, 20, 25, 34, 35, 45, 56, 74, 77, 80, 84, 85, 65, 66, 89, 90; 242/588.4, 594.5, 598.6; 206/394

[56] **References Cited**

**U.S. PATENT DOCUMENTS**

D. 188,709	8/1960	Helms	.....	D19/69
D. 191,773	11/1961	Maccaferri	.....	D19/69
D. 251,599	4/1979	Fritzinger	.....	D19/69

D. 318,690	7/1991	Huang	.....	D19/67 X
2,352,445	6/1944	Pinkney	.....	225/20
2,424,486	7/1947	Miller	.....	225/25
2,663,510	12/1953	Rodgers	.....	225/65
2,708,076	5/1955	Polster et al.	.....	225/34
3,768,713	10/1973	Lash	.....	225/34
4,252,258	2/1981	Plummer, III	.....	225/25

*Primary Examiner*—Martie K. Holtje  
*Attorney, Agent, or Firm*—Curtis L. Harrington

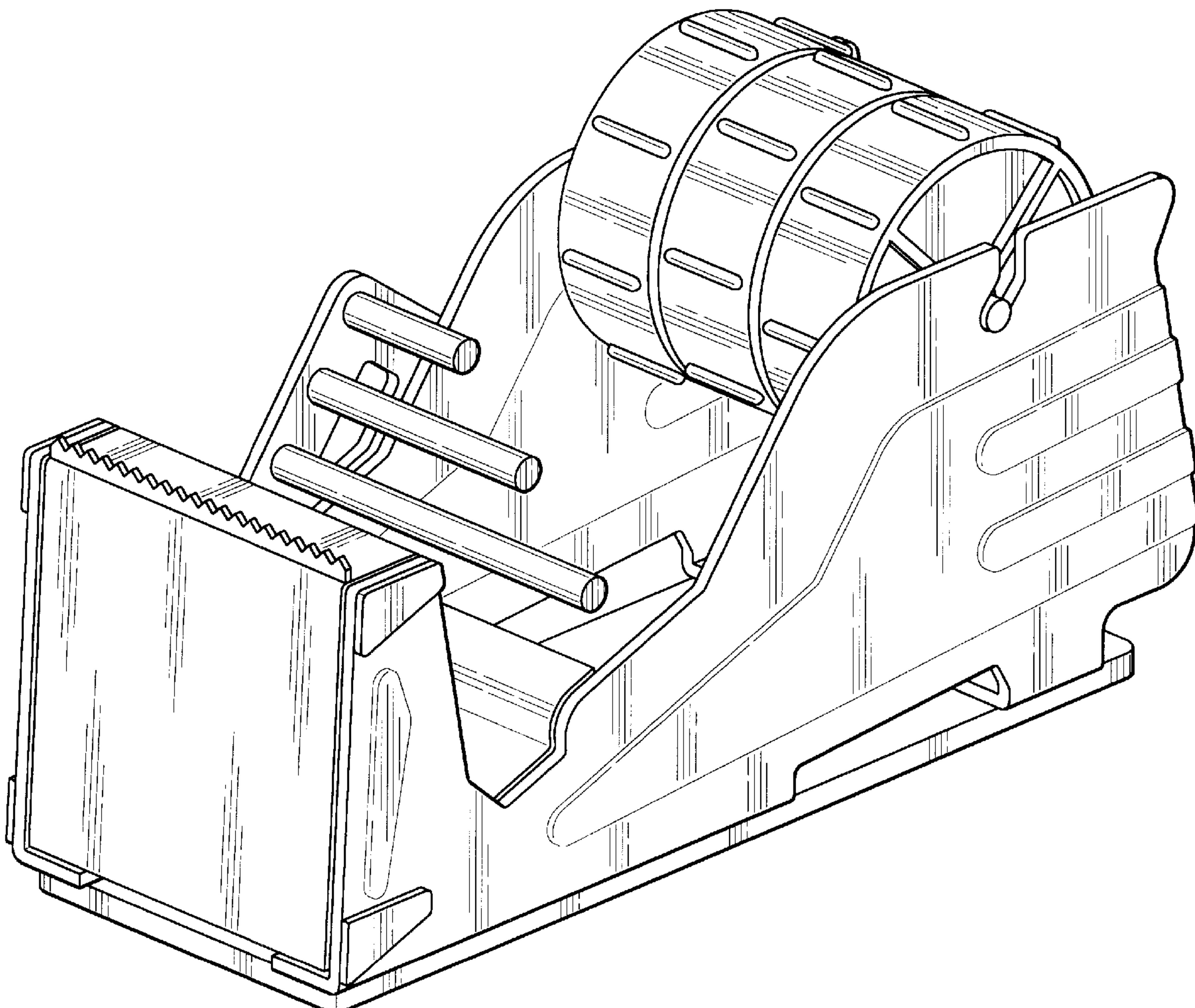
[57] **CLAIM**

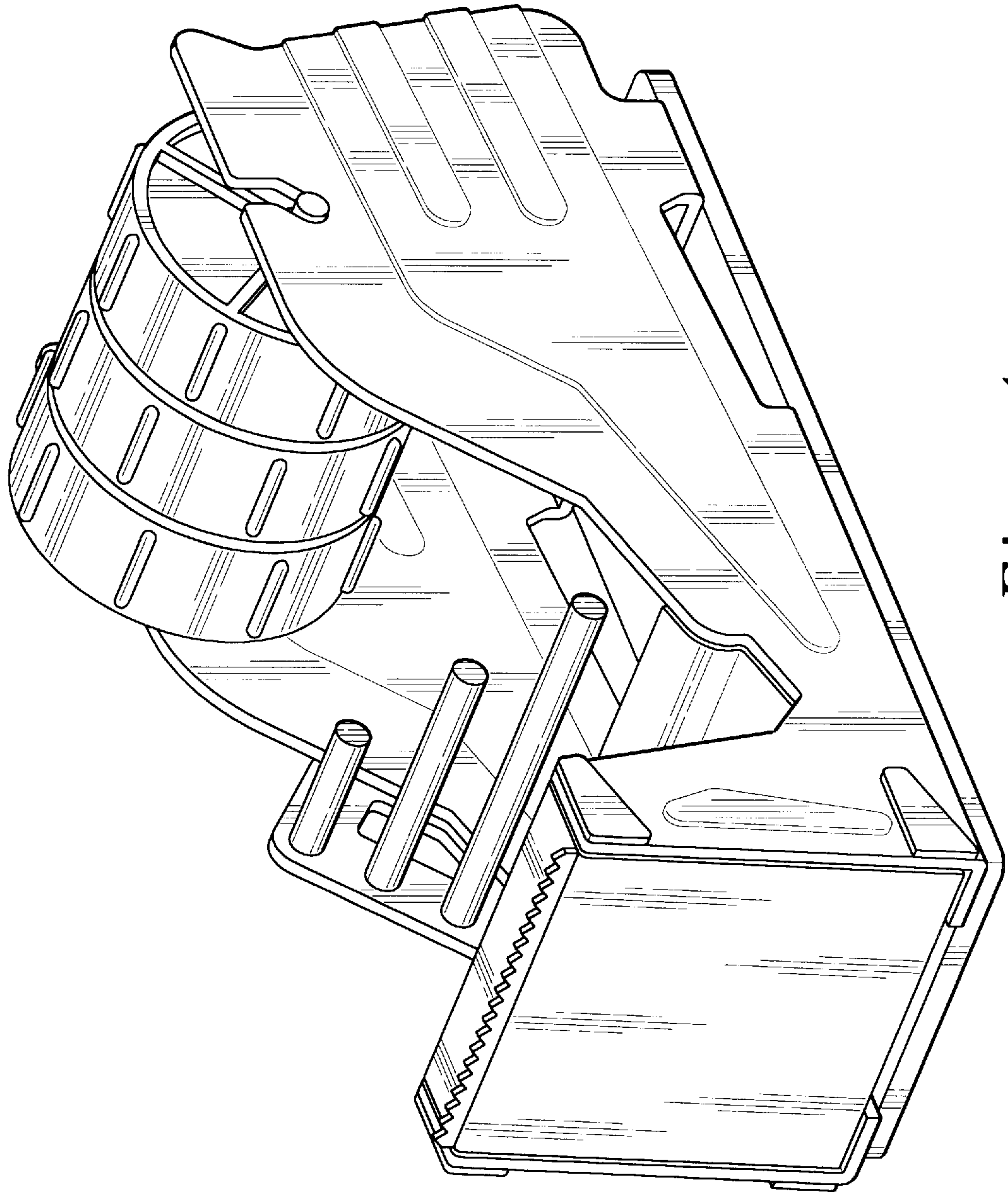
The ornamental design for a tape dispenser, as shown and described.

**DESCRIPTION**

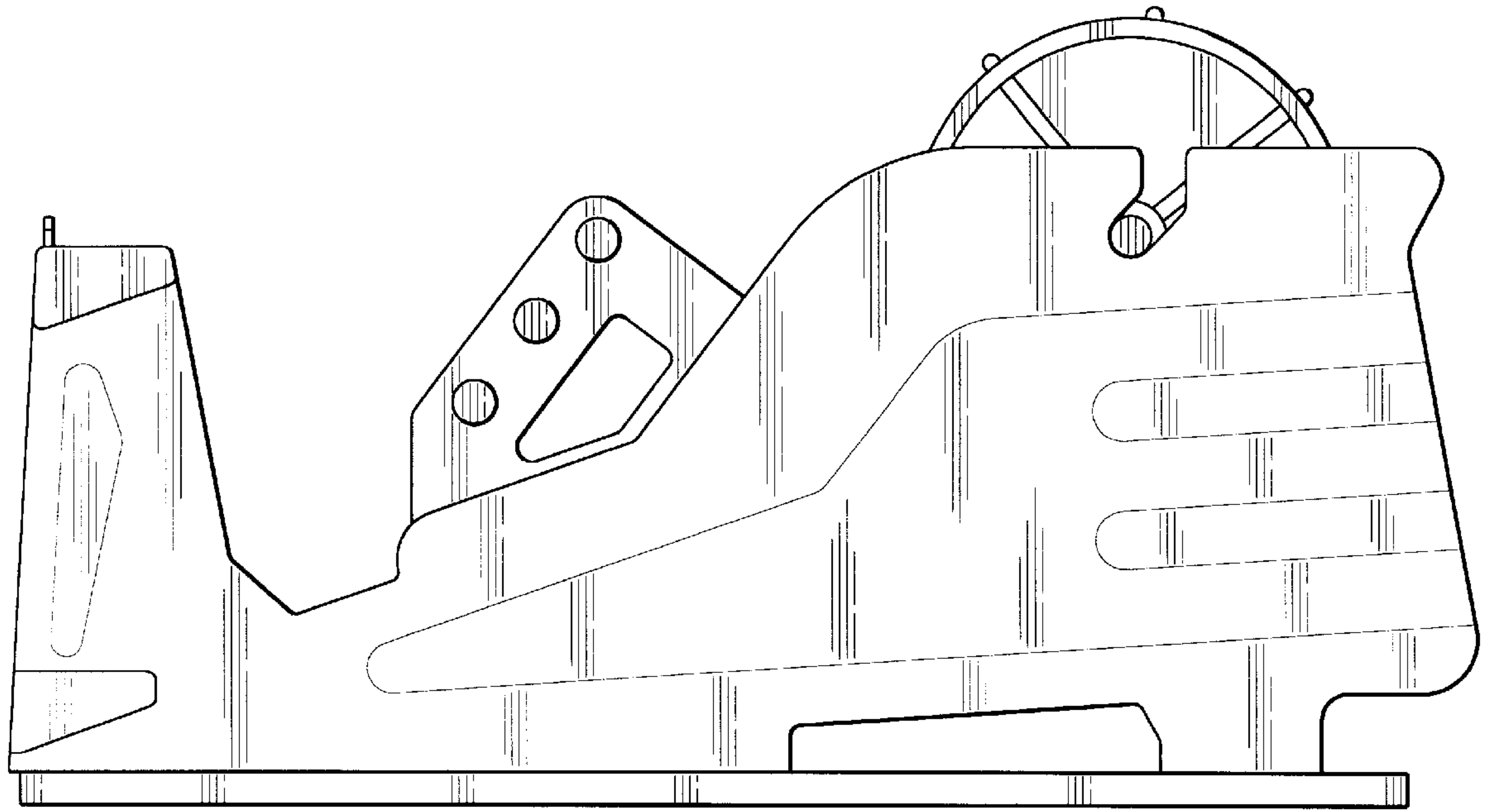
FIG. 1 is a perspective view of a tape dispenser showing our new design;  
FIG. 2 is a right side elevational view;  
FIG. 3 is a left side elevational view;  
FIG. 4 is a front elevational view;  
FIG. 5 is a rear elevational view;  
FIG. 6 is a top plan view; and,  
FIG. 7 is a bottom plan view thereof.

**1 Claim, 5 Drawing Sheets**

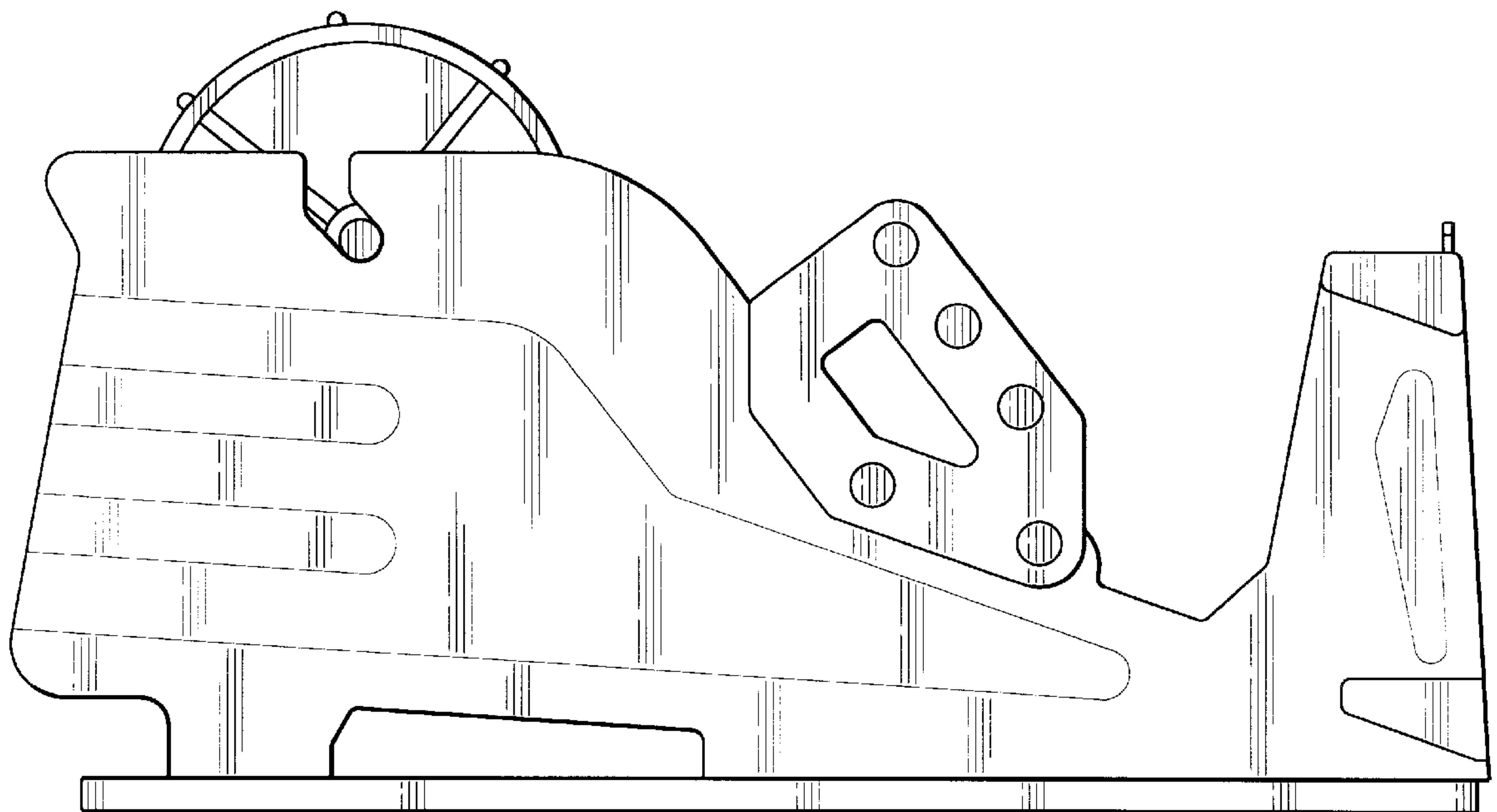




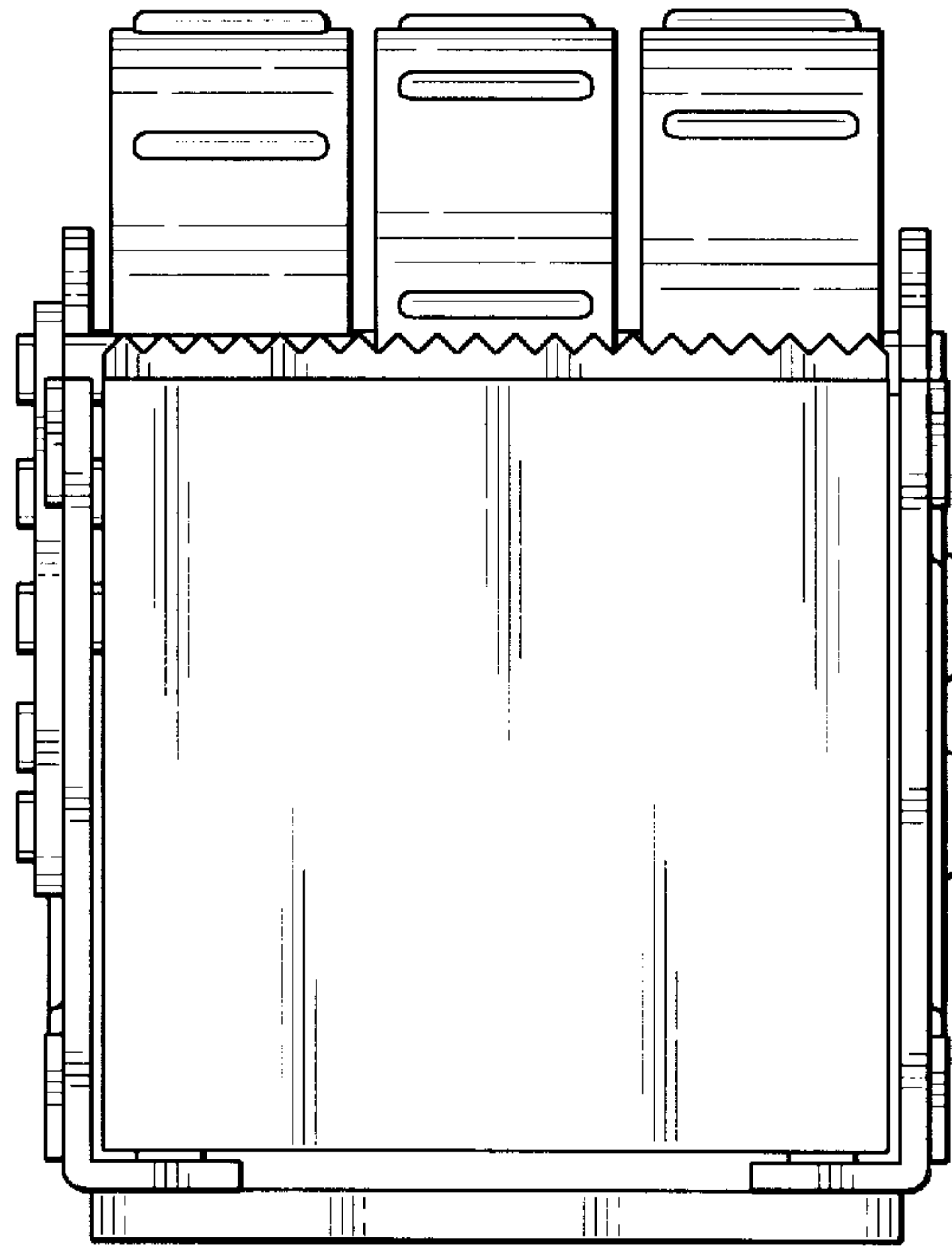
*Fig. 1*



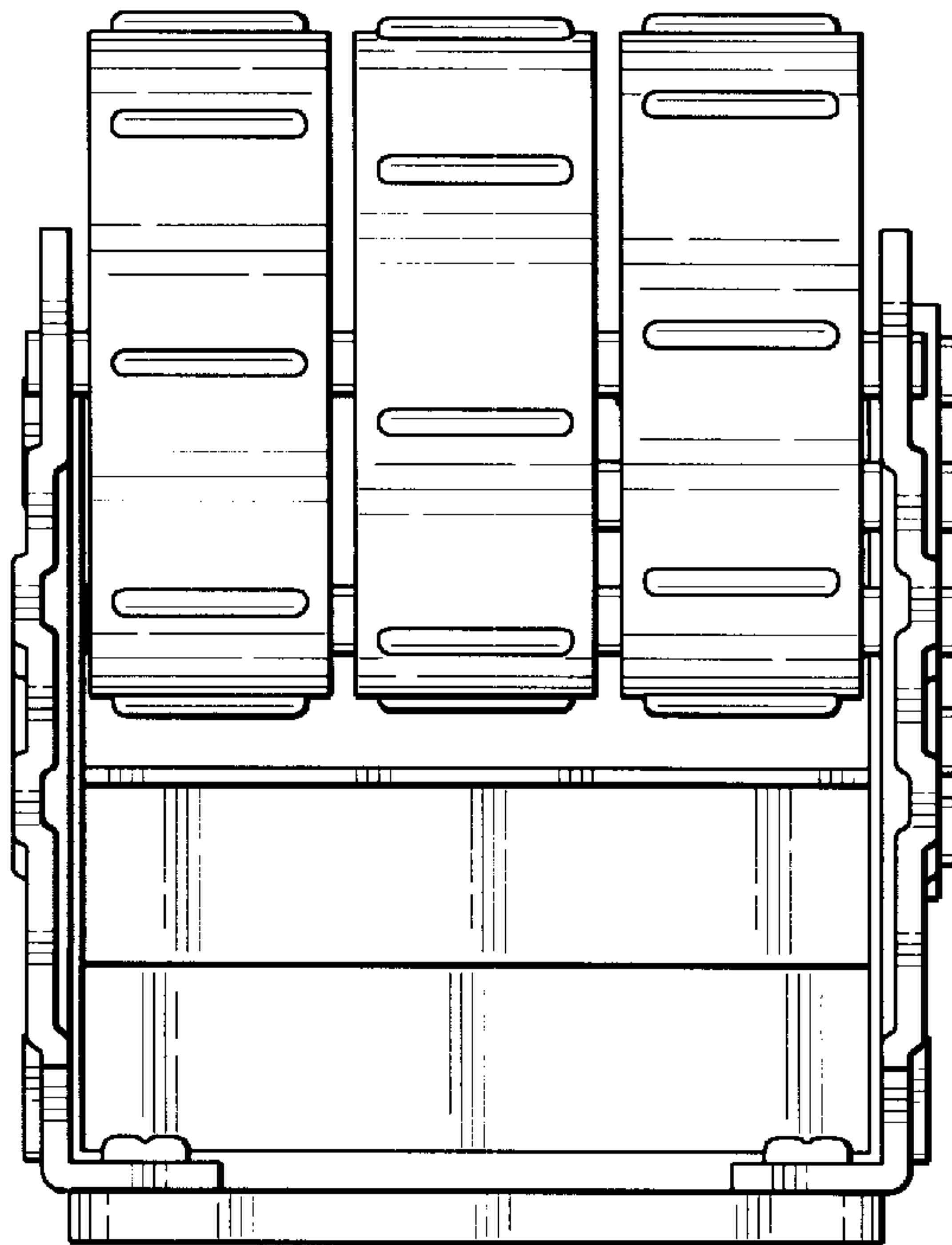
*Fig. 2*



*Fig. 3*

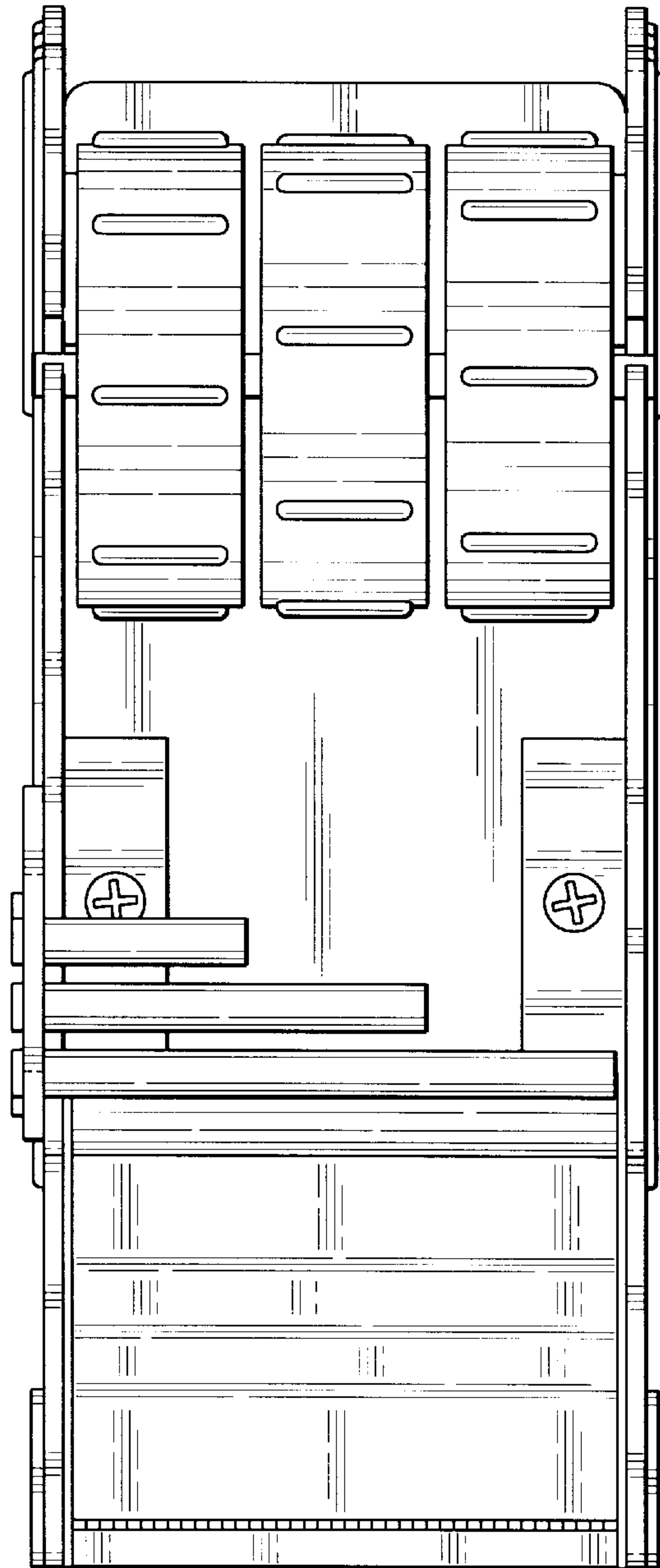


*Fig. 4*

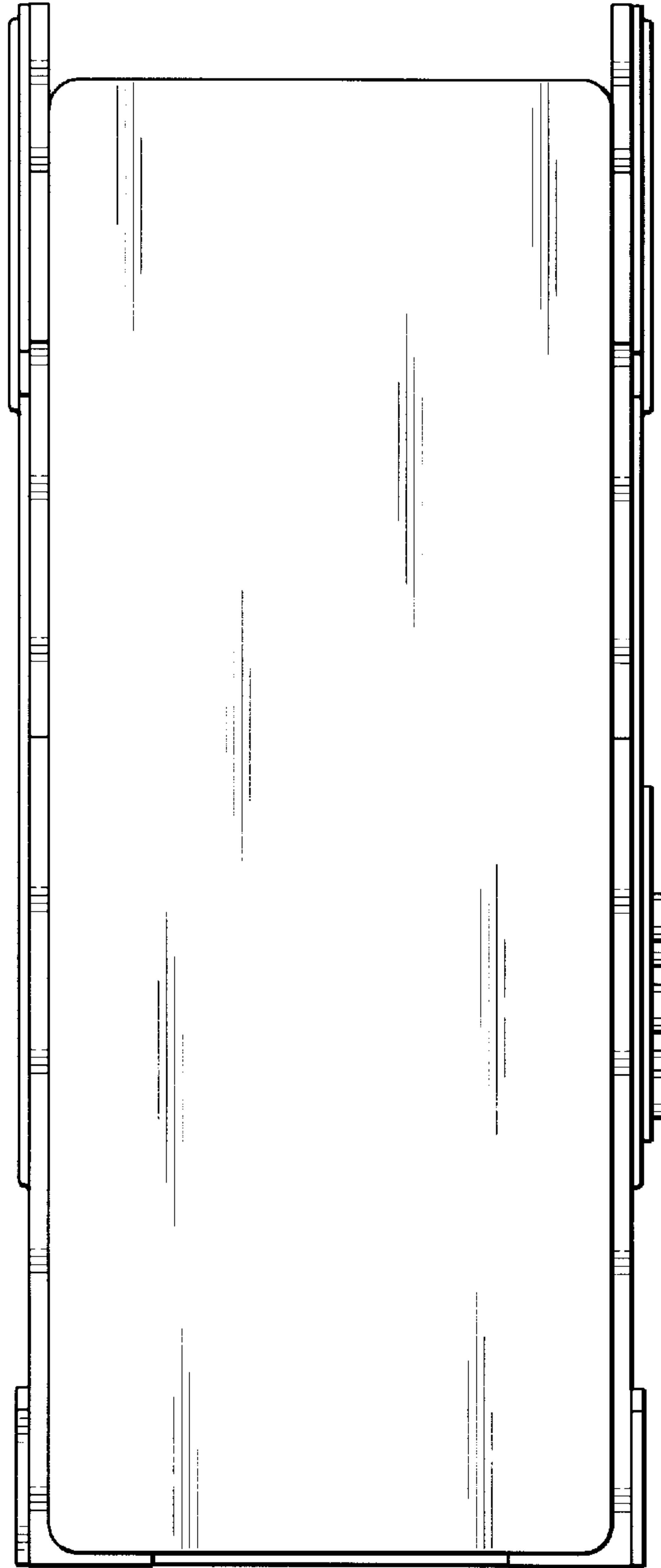


*Fig. 5*





*Fig. 6*



*Fig. 7*