



US00D399251S

# United States Patent [19] McGlashan

[11] Patent Number: **Des. 399,251**

[45] Date of Patent: **\*\*Oct. 6, 1998**

[54] **INK JET PRINTER WITH MULTIPLE MEDIA INPUT TRAYS**

[75] Inventor: **David Bruce McGlashan**, Singapore, Singapore

[73] Assignee: **Hewlett-Packard Company**, Palo Alto, Calif.

[\*\*] Term: **14 Years**

[21] Appl. No.: **73,075**

[22] Filed: **Jul. 2, 1997**

[51] **LOC (6) Cl.** ..... **14-02**

[52] **U.S. Cl.** ..... **D18/55**

[58] **Field of Search** ..... 400/613, 613.1, 400/613.2, 613.3, 613.4, 690, 690.1-690.4, 691-694; D18/50, 54, 55

[56] **References Cited**

**U.S. PATENT DOCUMENTS**

D. 356,818	3/1995	Sekine et al.	.....	D18/55
D. 363,506	10/1995	Inukai	.....	D18/55
D. 369,180	4/1996	Fukaya et al.	.....	D18/50
D. 370,026	5/1996	McGlashan	.....	D18/55
D. 373,378	9/1996	Brown et al.	.....	D18/55
D. 374,685	10/1996	Tsurouka	.....	D15/54
D. 376,615	12/1996	Dubson	.....	D18/50

D. 378,757	4/1997	Dubson	.....	D18/55
D. 379,828	6/1997	Dubson	.....	D18/55
D. 388,405	12/1997	Lin	.....	D18/50
D. 390,257	2/1998	Dwyer et al.	.....	D18/55
D. 390,258	2/1998	Kawahara et al.	.....	D18/55
5,620,269	4/1997	Gustafson	.....	400/691

*Primary Examiner*—Cathy Anne MacCormac

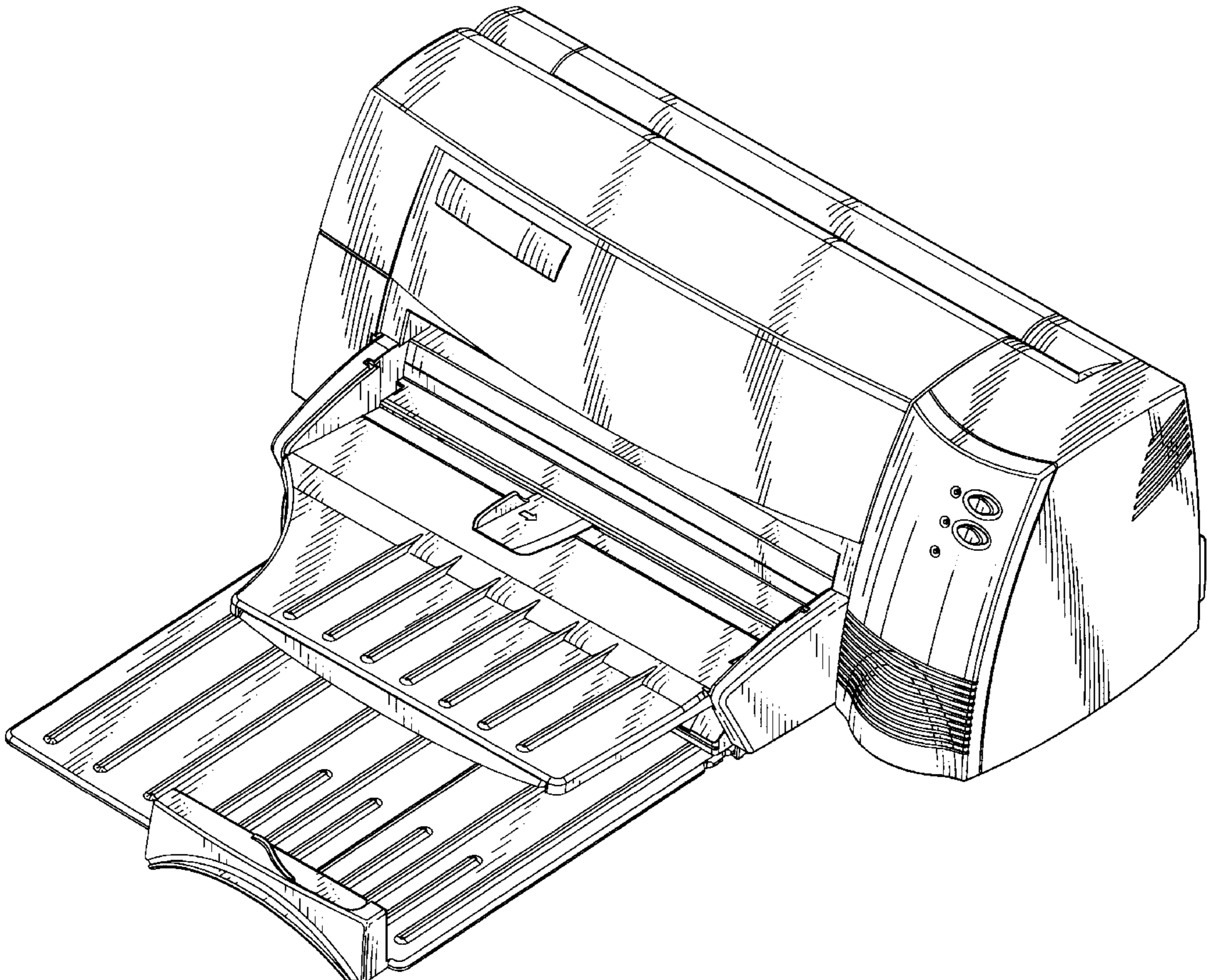
[57] **CLAIM**

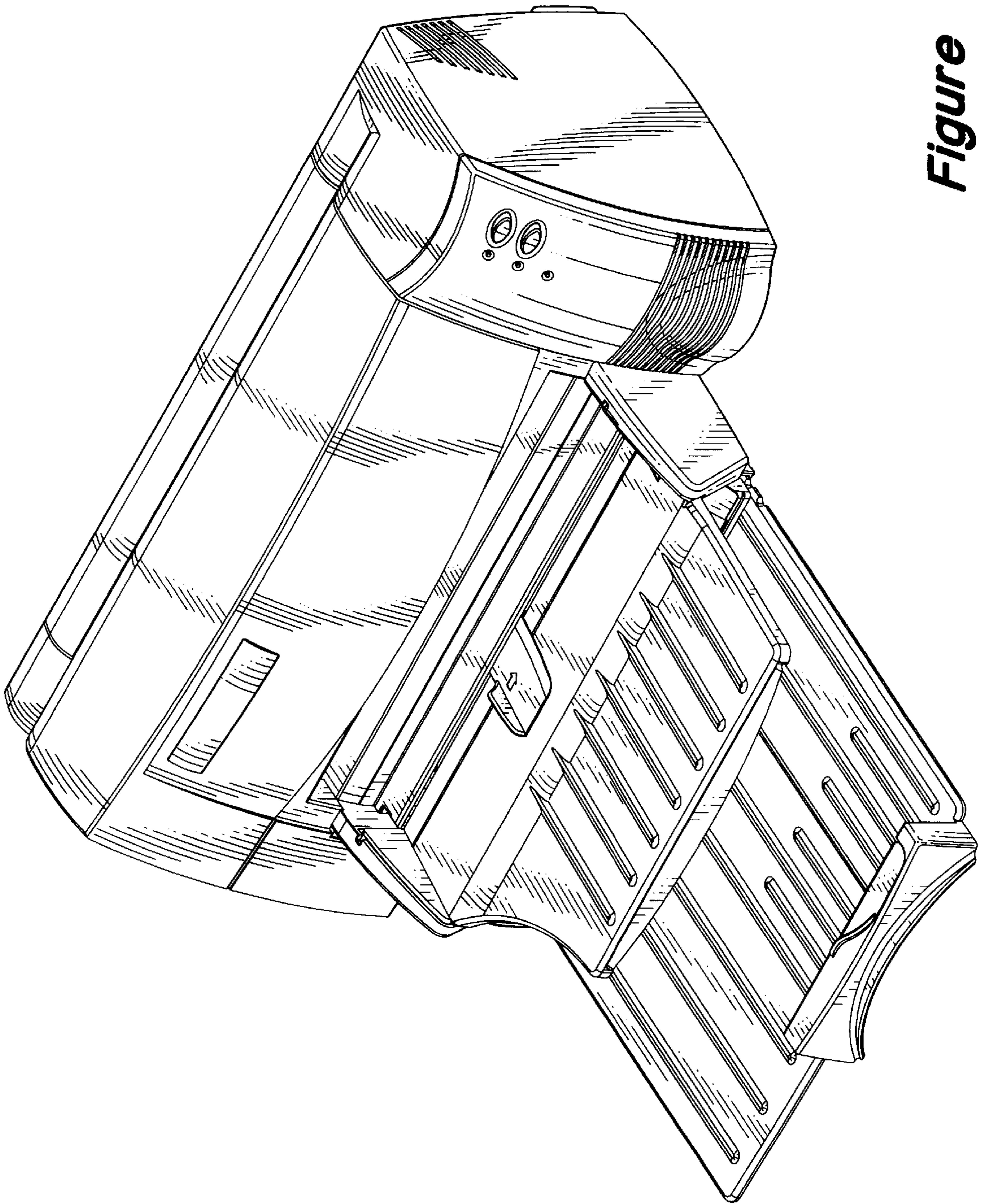
The ornamental design for an ink jet printer with multiple media input trays, as shown.

**DESCRIPTION**

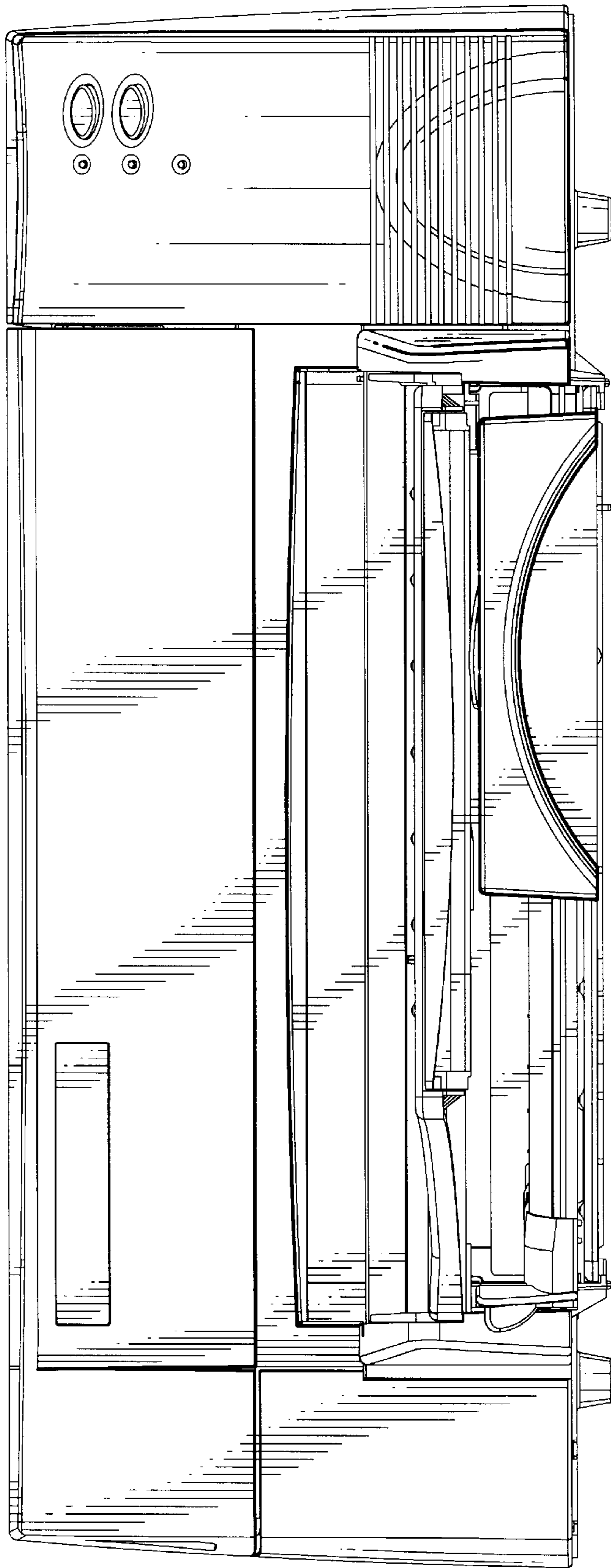
FIG. 1 is a perspective view of an ink jet printer with multiple media input trays showing a new design; FIG. 2 is a front elevation view of the ink jet printer with multiple media input trays in FIG. 1; FIG. 3 is a back elevation view of the ink jet printer with multiple media input trays in FIG. 1; FIG. 4 is a left side elevation view of the ink jet printer with multiple media input trays in FIG. 1; FIG. 5 is a right side elevation view of the ink jet printer with multiple media input trays in FIG. 1; FIG. 6 is a top plan view of the ink jet printer with multiple media input trays in FIG. 1; and, FIG. 7 is a bottom plan view of the ink jet printer with multiple media input trays in FIG. 1.

**1 Claim, 7 Drawing Sheets**

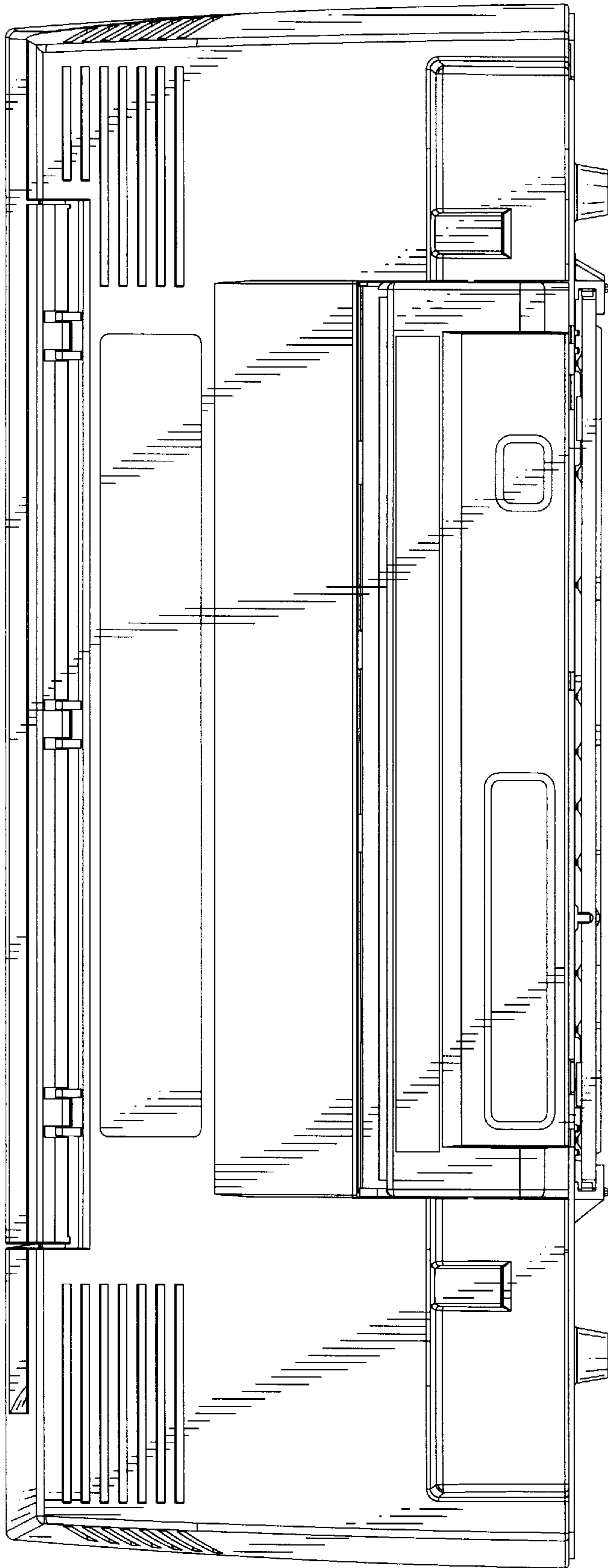




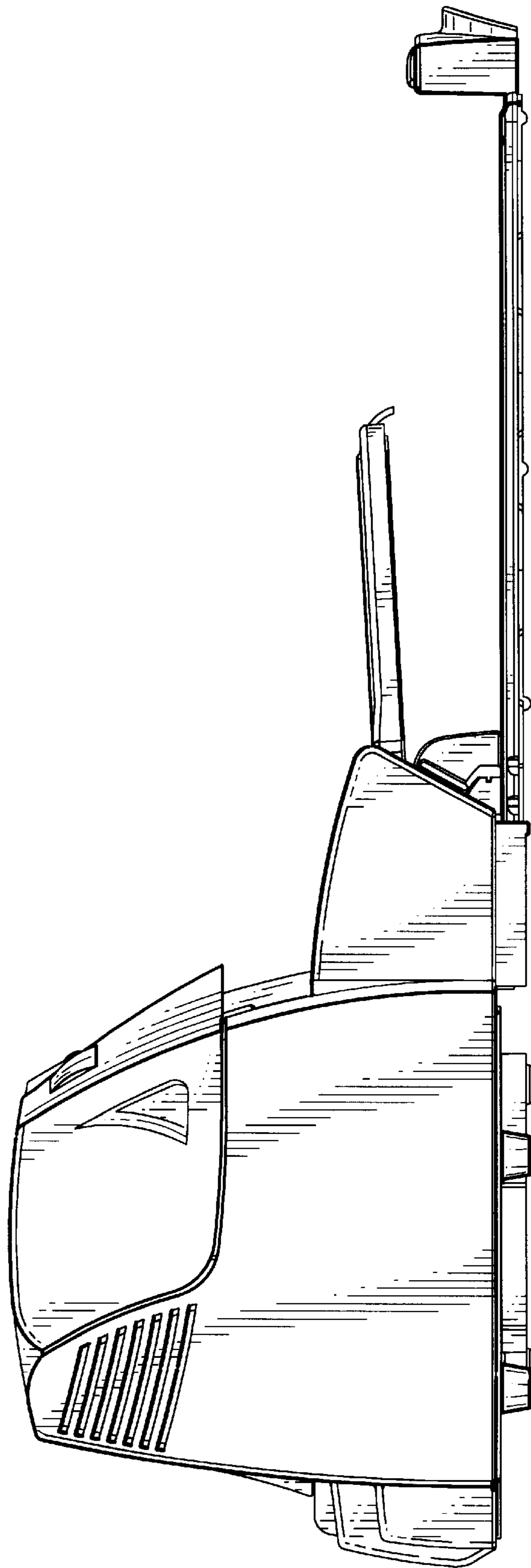
*Figure 1*



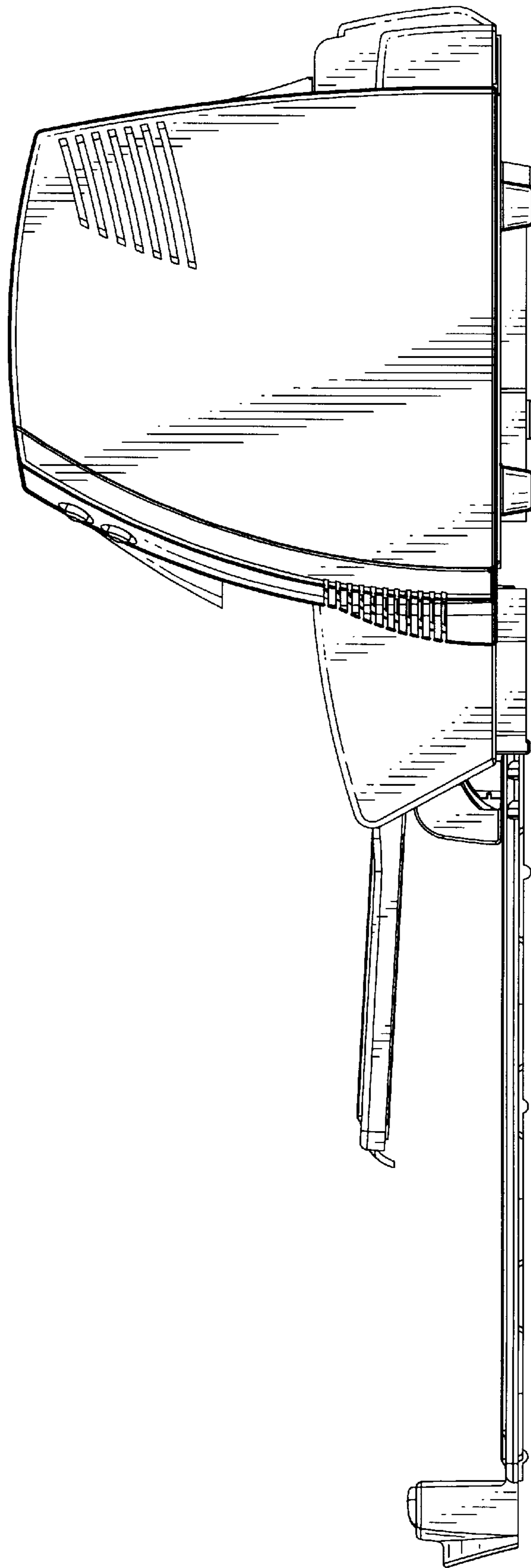
*Figure 2*



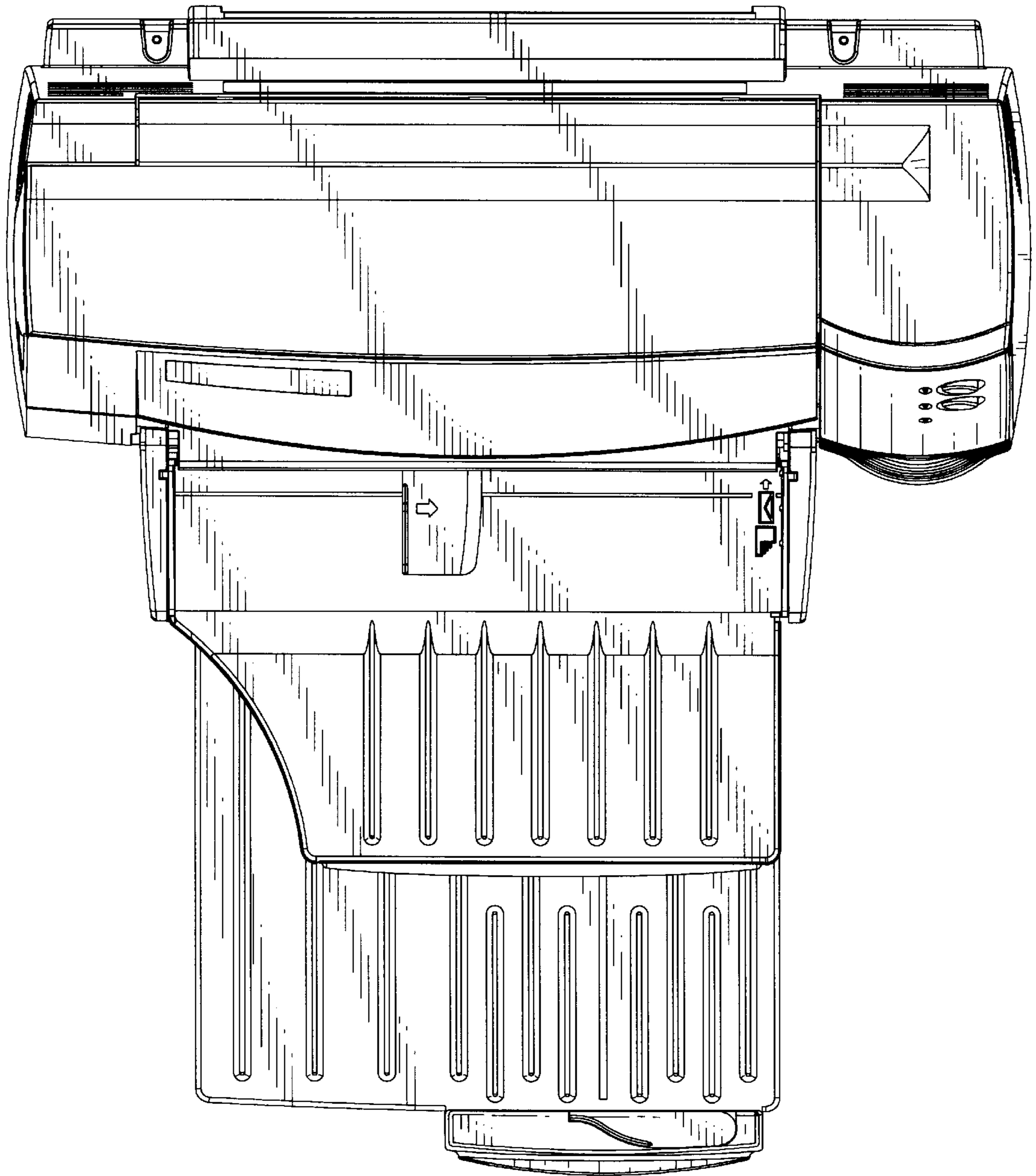
*Figure 3*



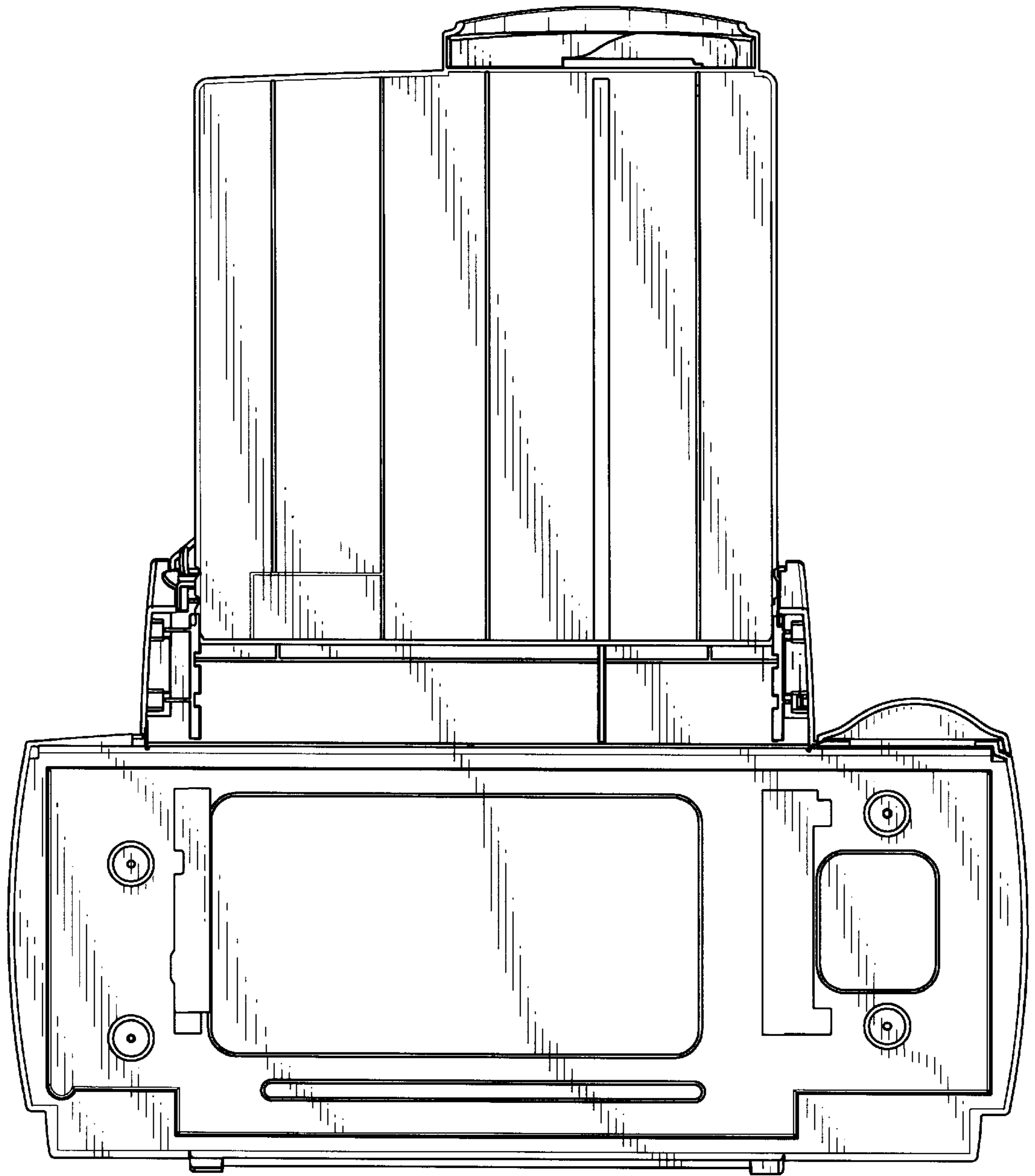
*Figure 4*



*Figure 5*



**Figure 6**



*Figure 7*