



US00D399245S

United States Patent [19]
Harden

[11] **Patent Number: Des. 399,245**

[45] **Date of Patent: **Oct. 6, 1998**

[54] **STAMPER**

[75] Inventor: **Dan Harden**, Palo Alto, Calif.

[73] Assignee: **Shachihata Inc.**, Nagoya, Japan

[**] Term: **14 Years**

[21] Appl. No.: **66,743**

[22] Filed: **Feb. 19, 1997**

[51] **LOC (6) Cl.** **19-02**

[52] **U.S. Cl.** **D18/15; D18/14**

[58] **Field of Search** D18/14, 15, 99;
D19/65; 401/199; 101/327, 333, 371, 372,
405, 406

[56] **References Cited**

U.S. PATENT DOCUMENTS

- D. 280,643 9/1985 Ichikawa D18/15
- D. 341,387 11/1993 Koneval D18/15
- 4,996,921 3/1991 Hong 101/327

FOREIGN PATENT DOCUMENTS

- 668916 3/1952 United Kingdom 101/327

Primary Examiner—Louis S. Zarfaz
Assistant Examiner—Gregory Andoll
Attorney, Agent, or Firm—Evenson, McKeown, Edwards & Lenahan, PLLC

[57] **CLAIM**

The ornamental design for a stamper, as shown and described.

DESCRIPTION

FIG. 1 is a perspective view of a stamper embodying my design;
FIG. 2 is a view similar to FIG. 1 but illustrating the stamper with a cap separated therefrom;
FIG. 3 is a front view of FIG. 1;
FIG. 4 is a rear view of FIG. 1;
FIG. 5 is a top plan view of FIG. 1;
FIG. 6 is a bottom plan view of FIG. 1;
FIG. 7 is a left side view of FIG. 1;
FIG. 8 is a bottom view of the stamper with the cap removed; and,
FIG. 9 is a top plan view of the cap.

1 Claim, 3 Drawing Sheets

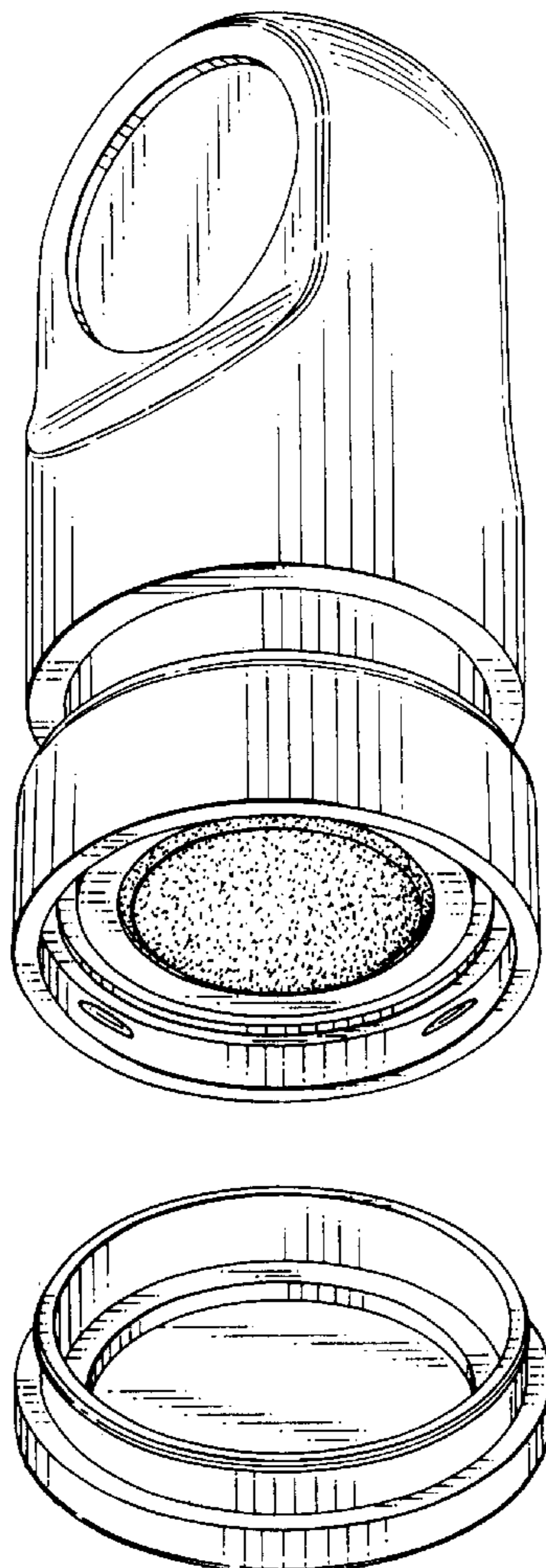


FIG. 1

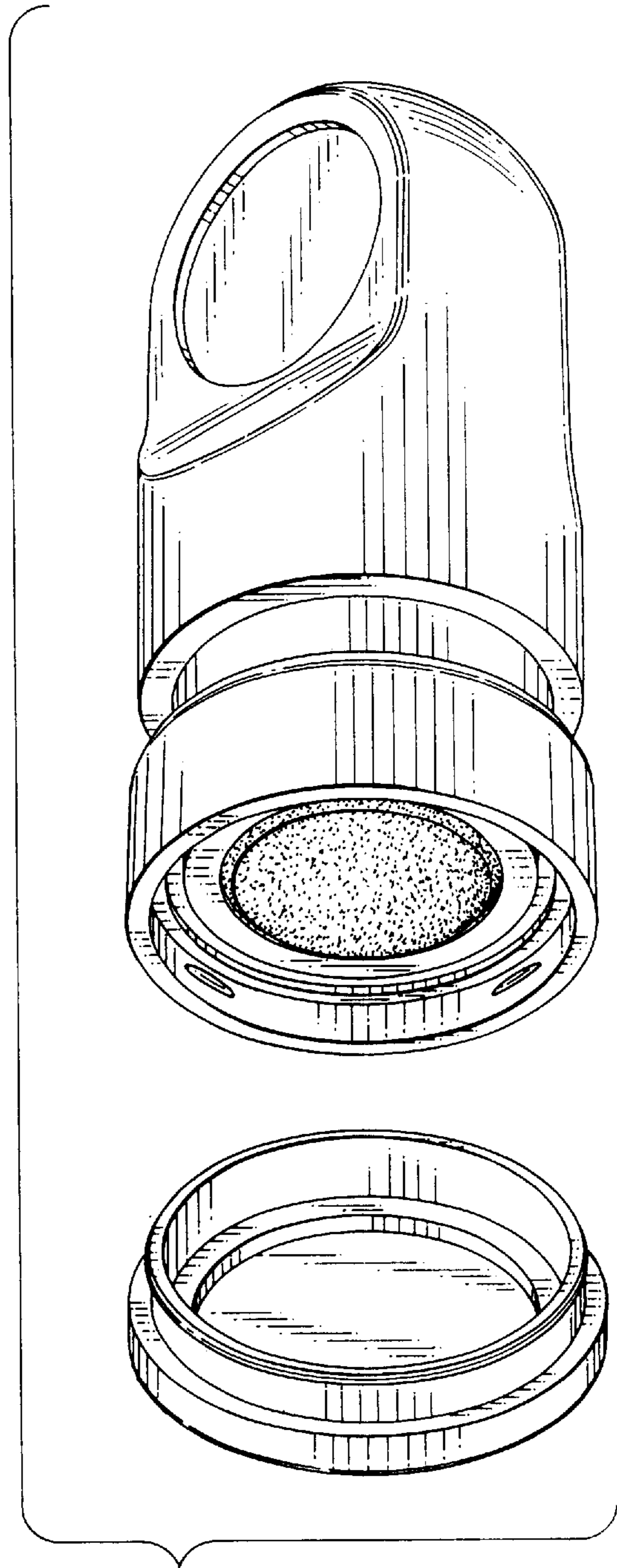
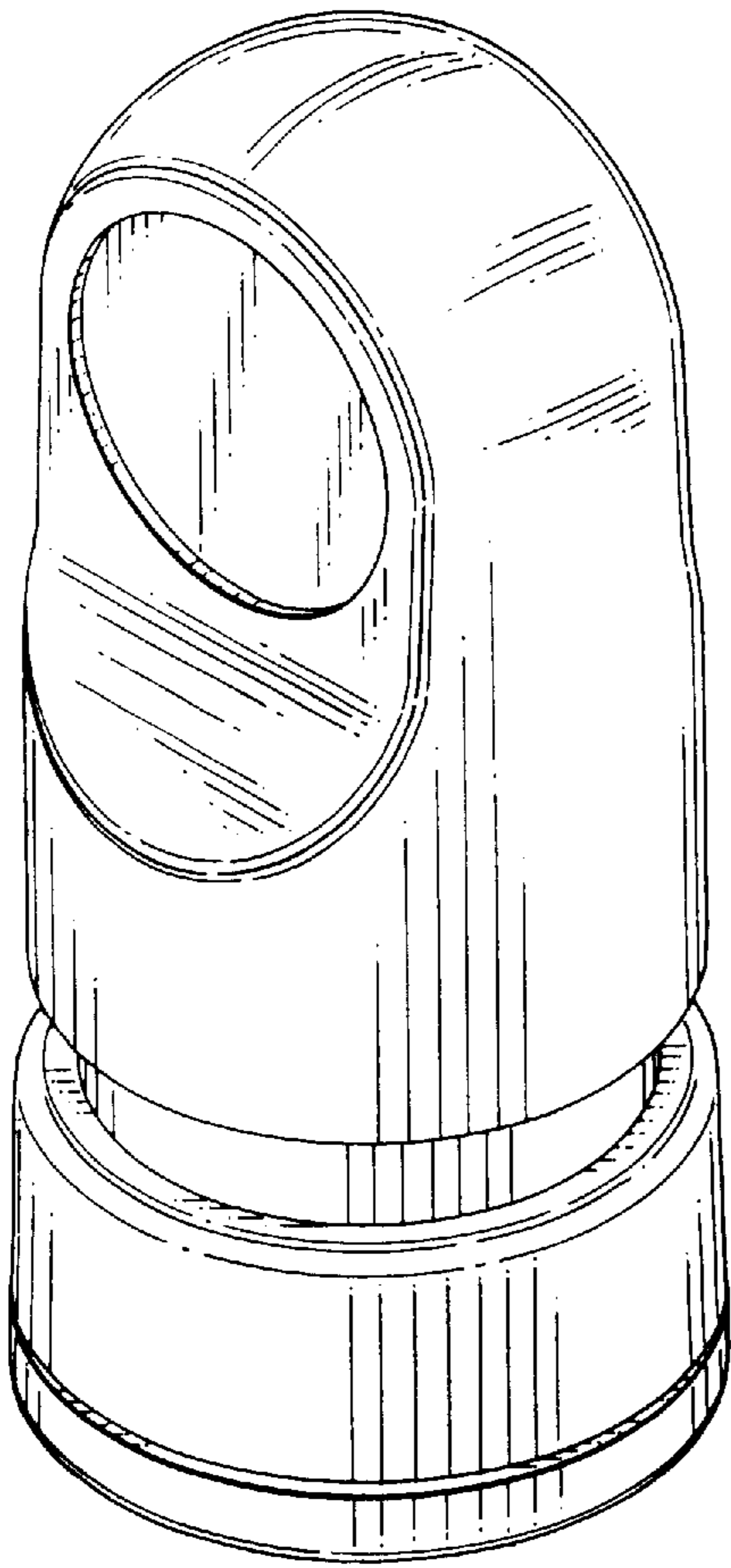


FIG. 2

FIG. 3

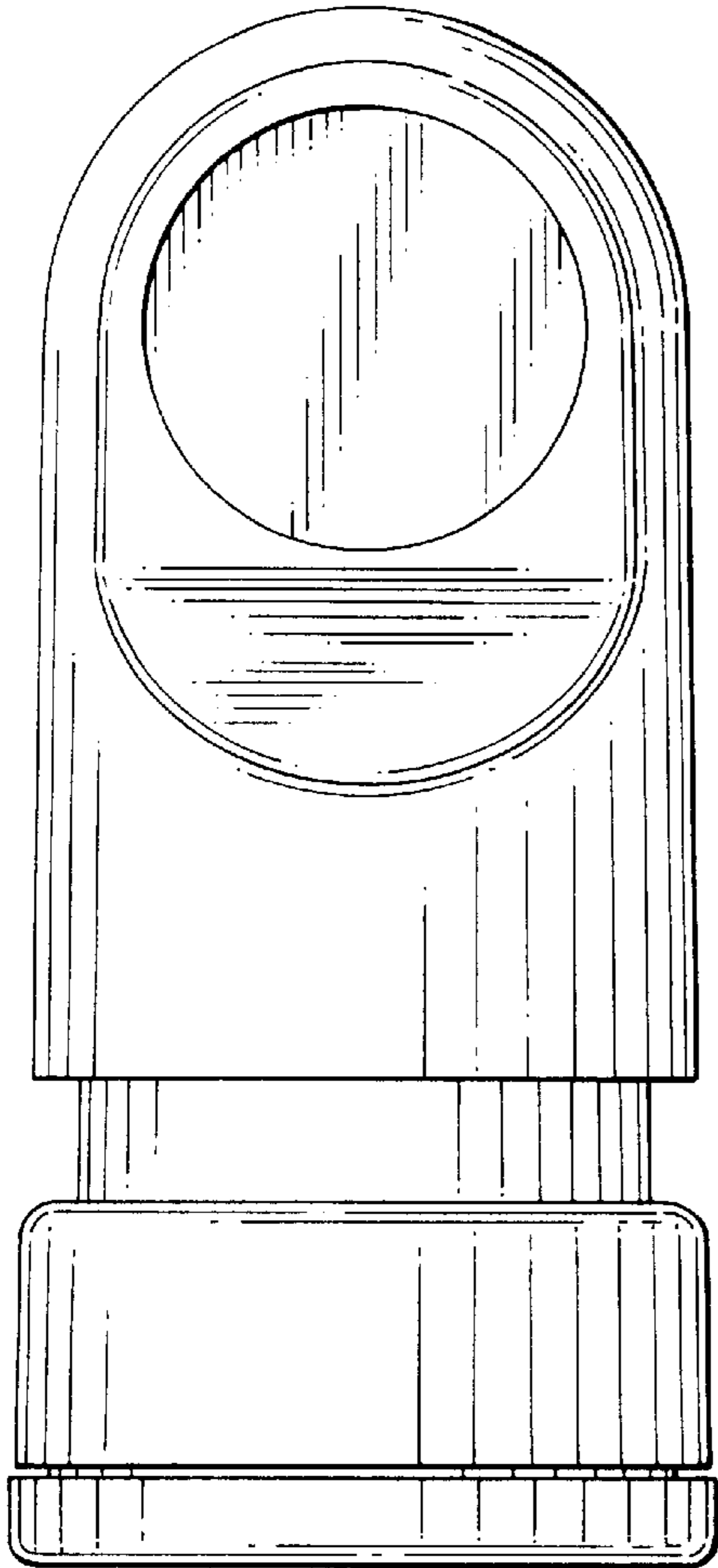


FIG. 4

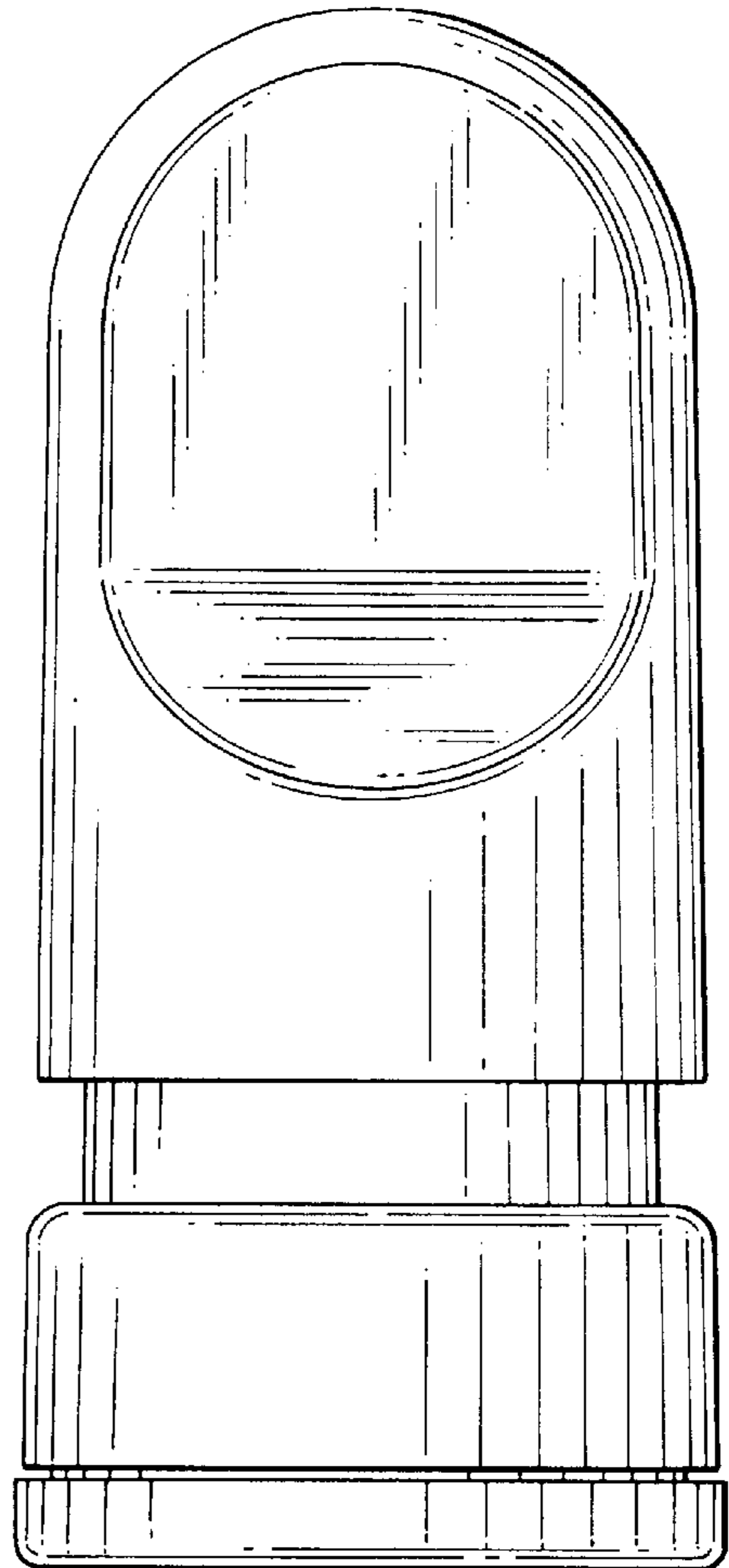


FIG. 5

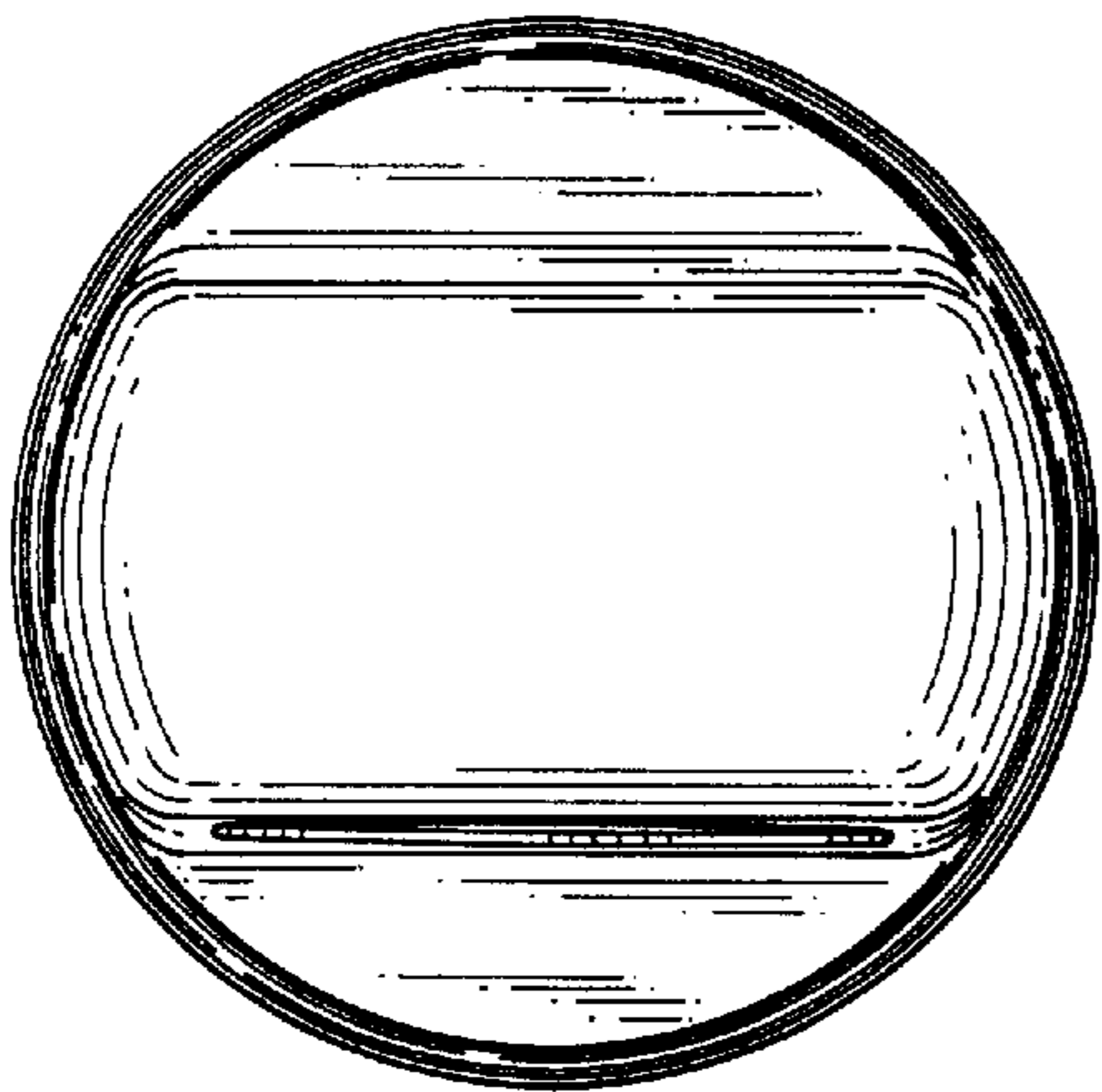


FIG. 6

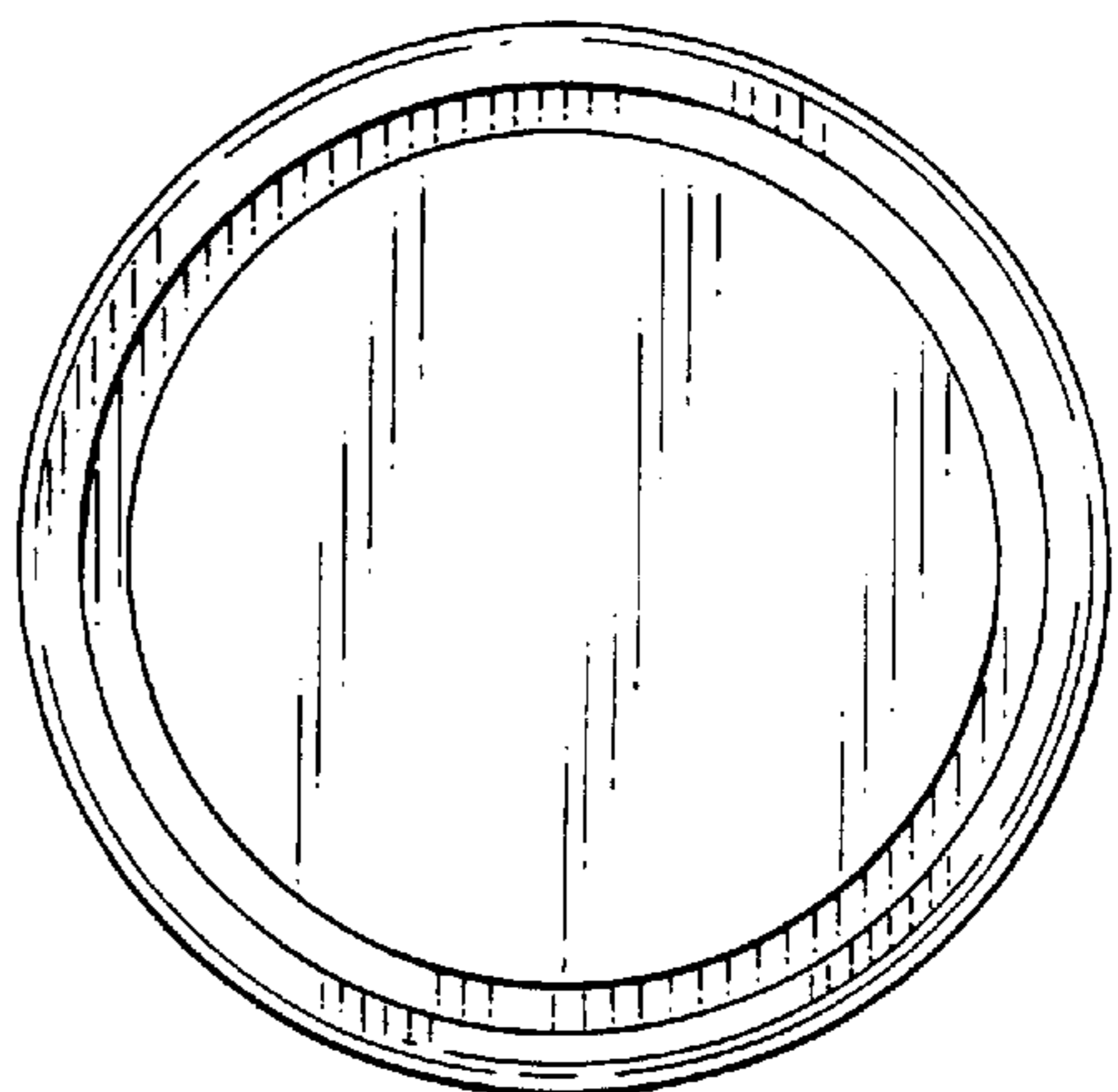


FIG. 7

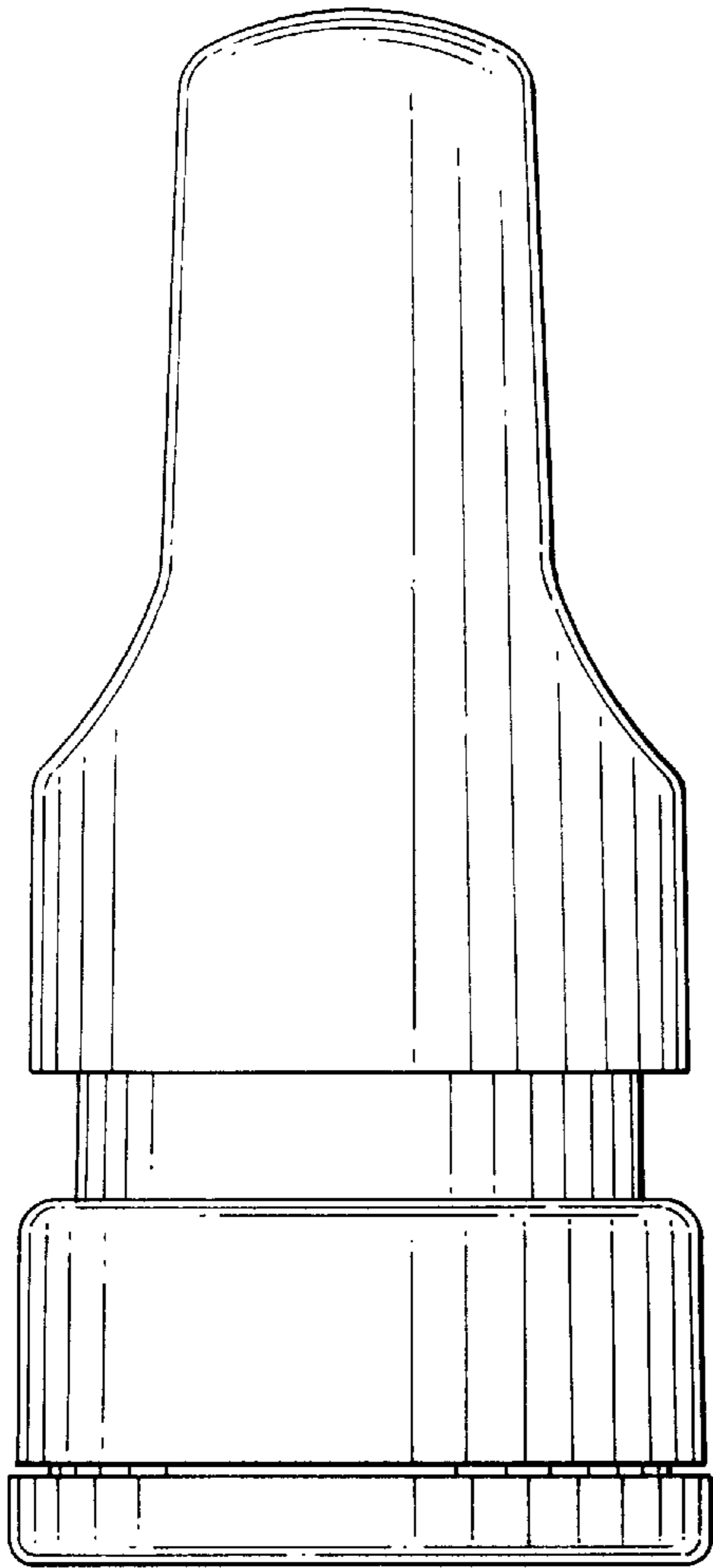


FIG. 8

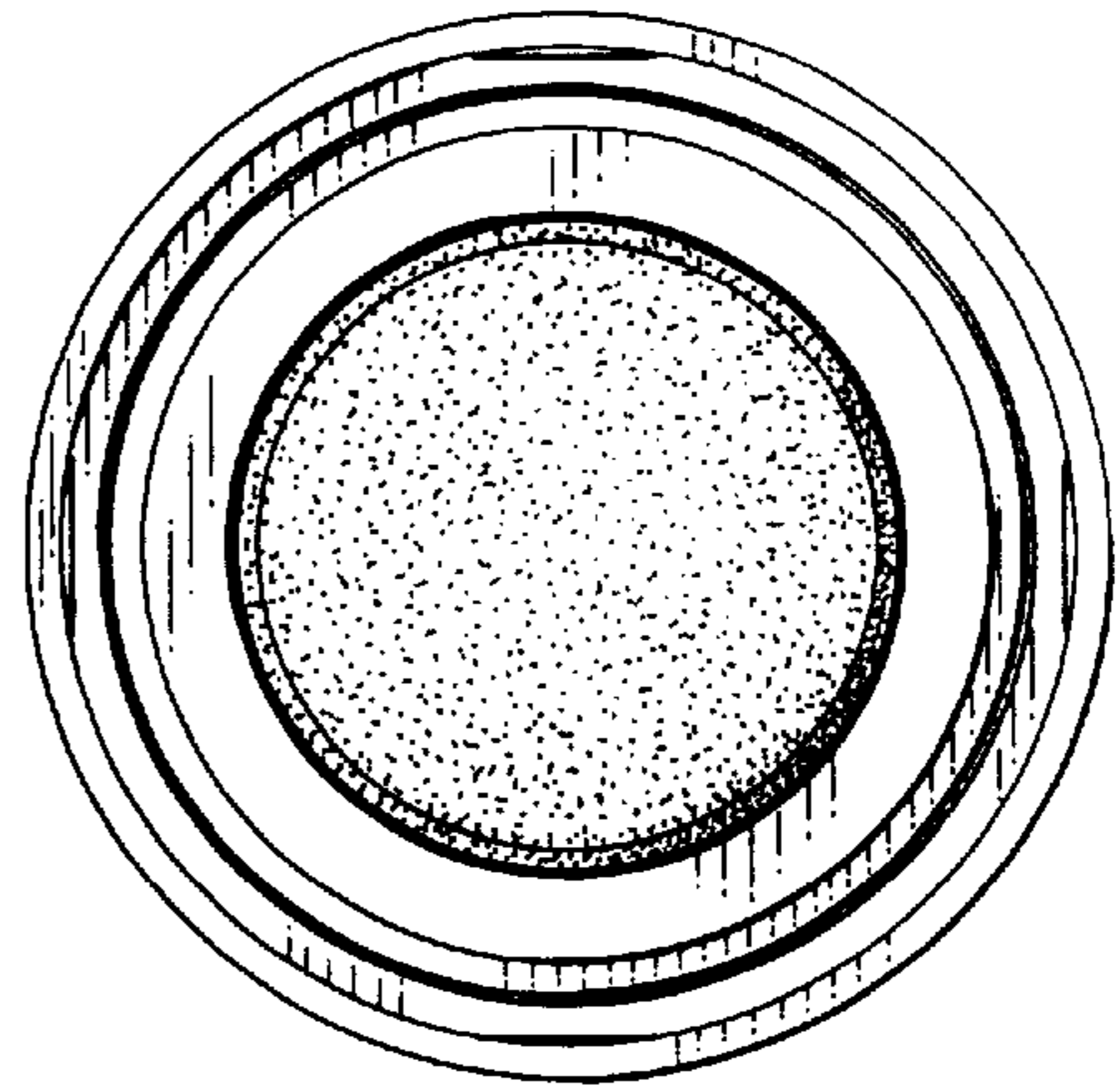


FIG. 9

