



US00D399244S

# United States Patent [19] Coveley

[11] **Patent Number:** **Des. 399,244**

[45] **Date of Patent:** **\*\*Oct. 6, 1998**

[54] **POINT-OF-SALE TERMINAL DOCK**

[75] Inventor: **Michael Coveley**, Thornhill, Canada

[73] Assignee: **Omega Digital Data Inc.**, Concord, Canada

[\*\*] Term: **14 Years**

[21] Appl. No.: **66,209**

[22] Filed: **Feb. 6, 1997**

[51] **LOC (6) Cl.** ..... **18-01**

[52] **U.S. Cl.** ..... **D18/4; D13/107; D14/251**

[58] **Field of Search** ..... **D18/2, 4, 12; D13/107, D13/108; D14/100, 240, 251, 253; 320/2, 5, 21; 379/426, 454, 455; 455/90**

[56] **References Cited**

**U.S. PATENT DOCUMENTS**

- D. 277,662 2/1985 Huntington et al. .... D13/107
- D. 345,728 4/1994 Tyneski et al. .... D13/108
- D. 353,131 12/1994 Nagele ..... D13/107

- D. 368,892 4/1996 Tanaka ..... D13/108
- D. 369,344 4/1996 Lindeman et al. .... D13/108
- D. 385,252 10/1997 Snyder et al. .... D13/108

*Primary Examiner*—Caron D. Veynar  
*Attorney, Agent, or Firm*—Gregory S. Rosenblatt; Wiggin & Dana

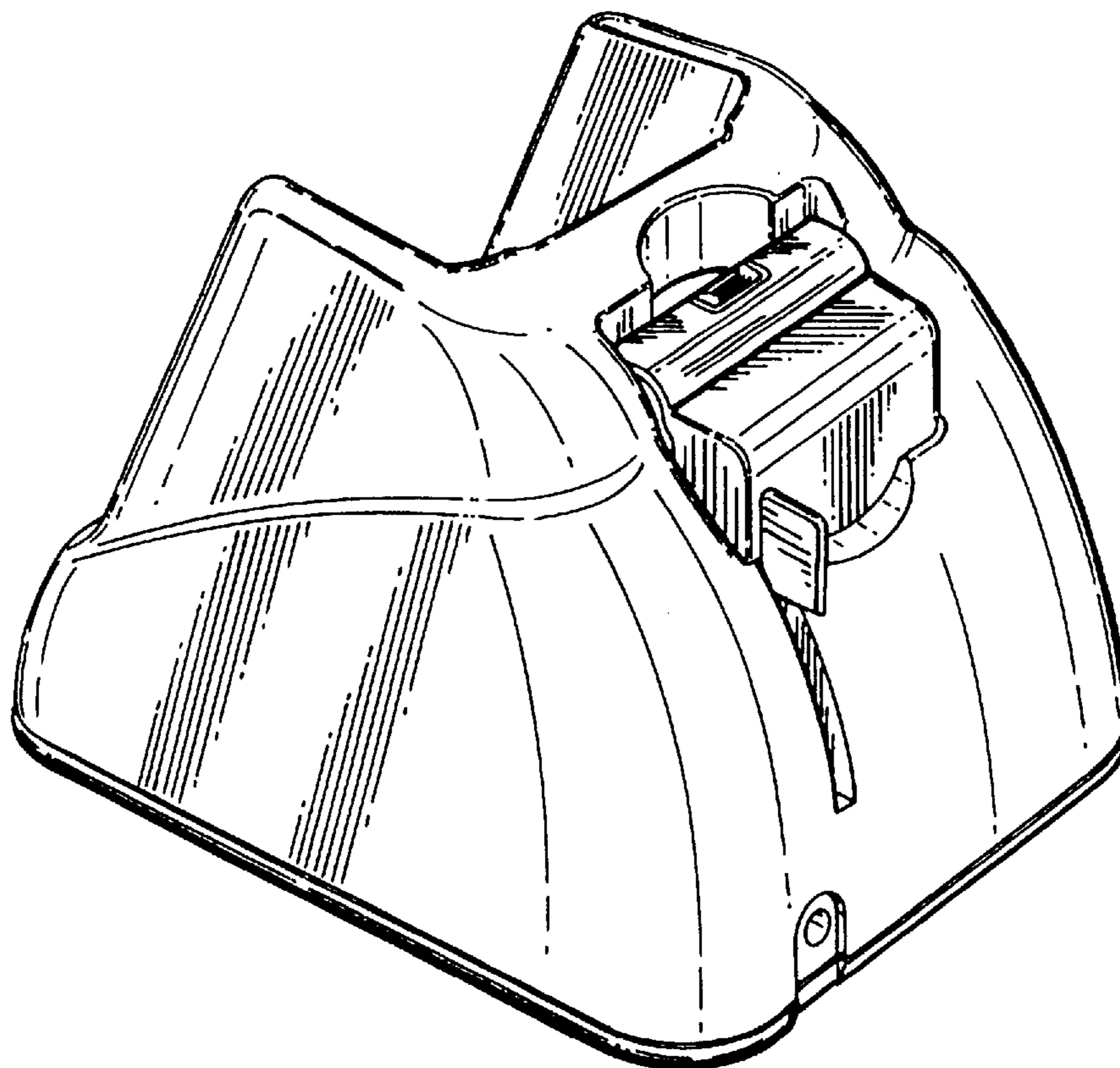
[57] **CLAIM**

The ornamental design for a point-of-sale terminal dock, as shown and described.

**DESCRIPTION**

FIG. 1 is a top left front perspective view of a point-of-sale terminal dock showing my new design; FIG. 2 is a left side perspective view thereof; FIG. 3 is a front perspective view thereof; FIG. 4 is a right side perspective view thereof; FIG. 5 is a rear perspective view thereof; FIG. 6 is a top plan view thereof with battery pack attached; FIG. 7 is a bottom plan view thereof; and, FIG. 8 is a top plan view thereof with battery pack removed.

**1 Claim, 4 Drawing Sheets**



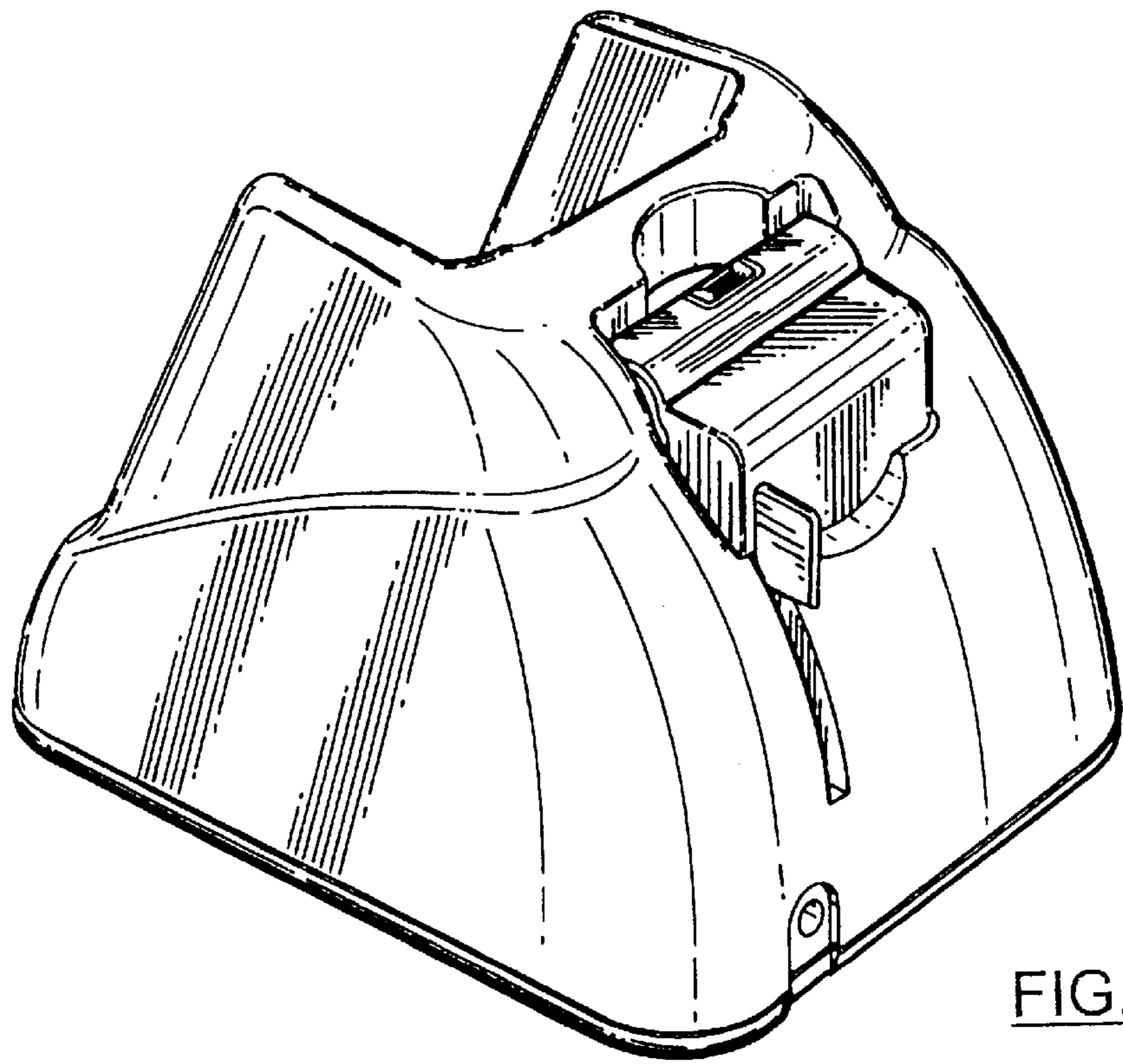
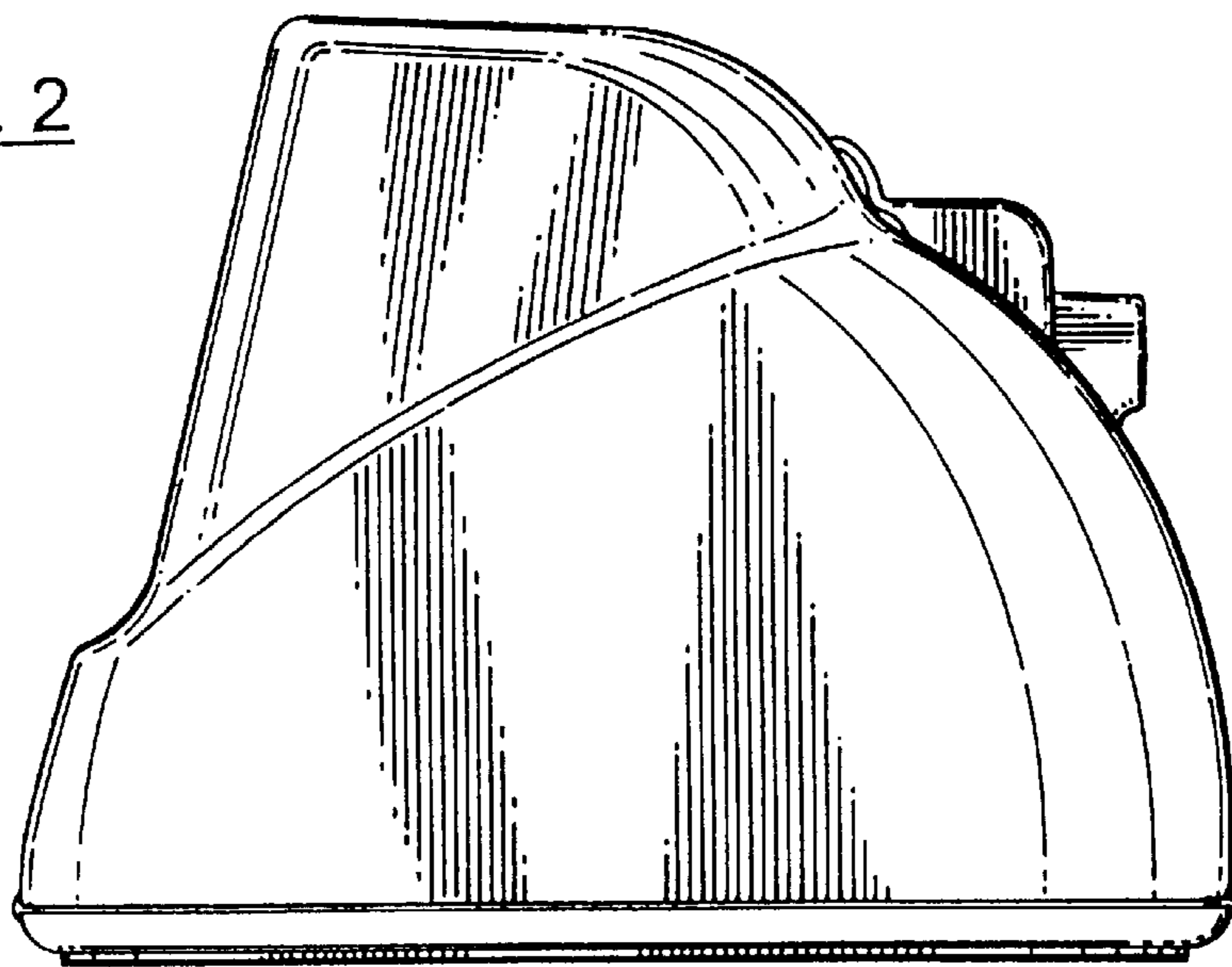


FIG. 1

FIG. 2



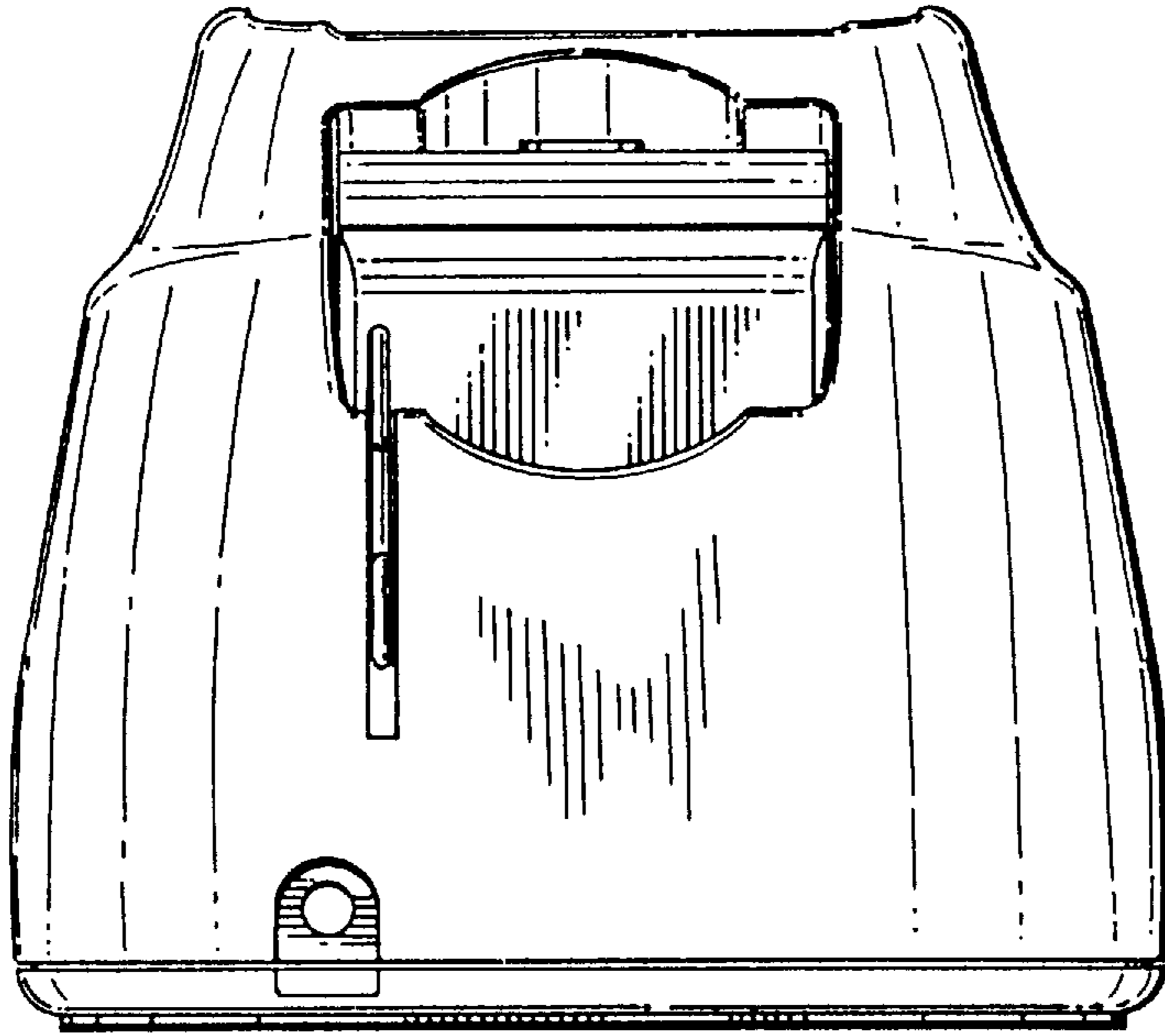


FIG. 3

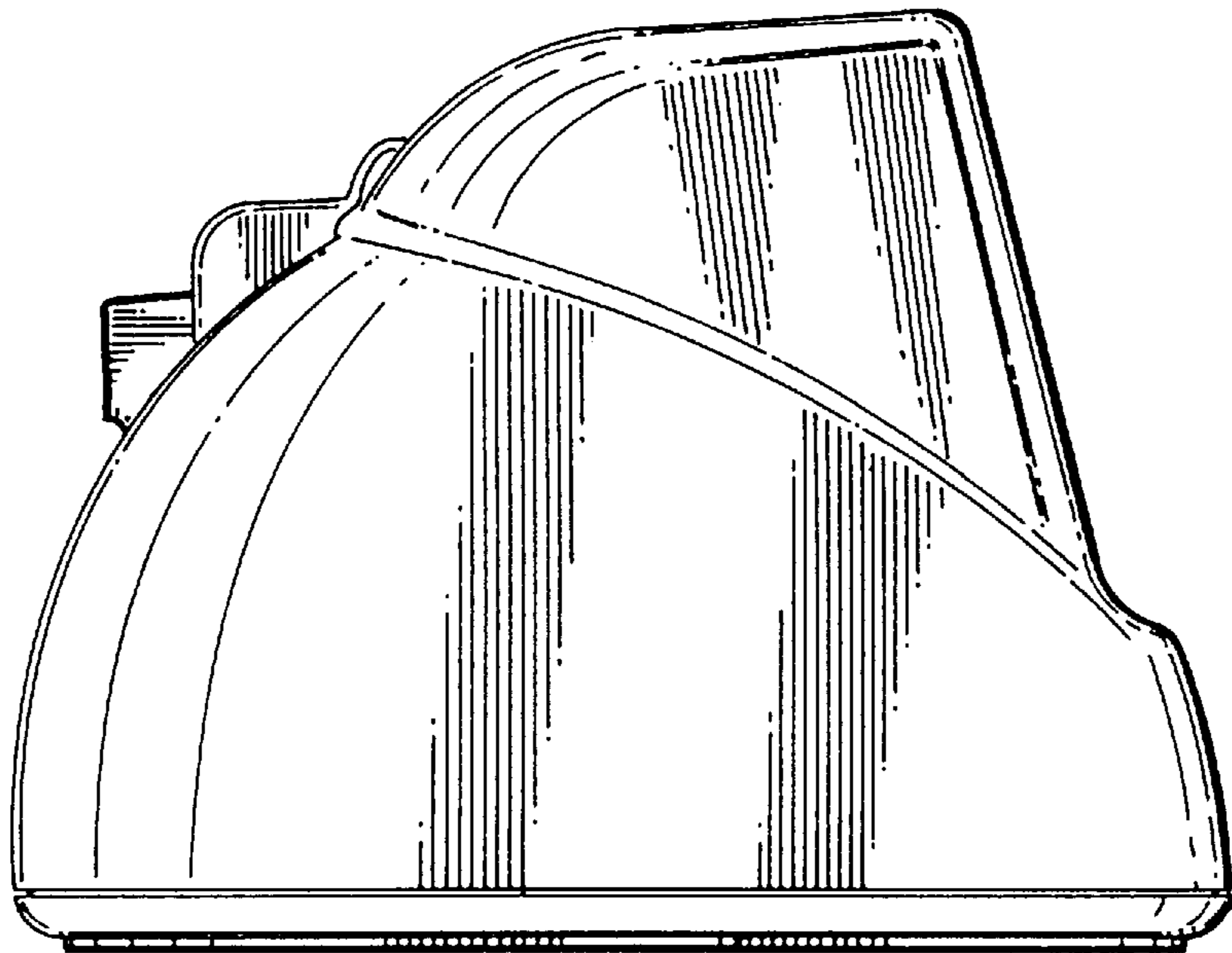


FIG. 4

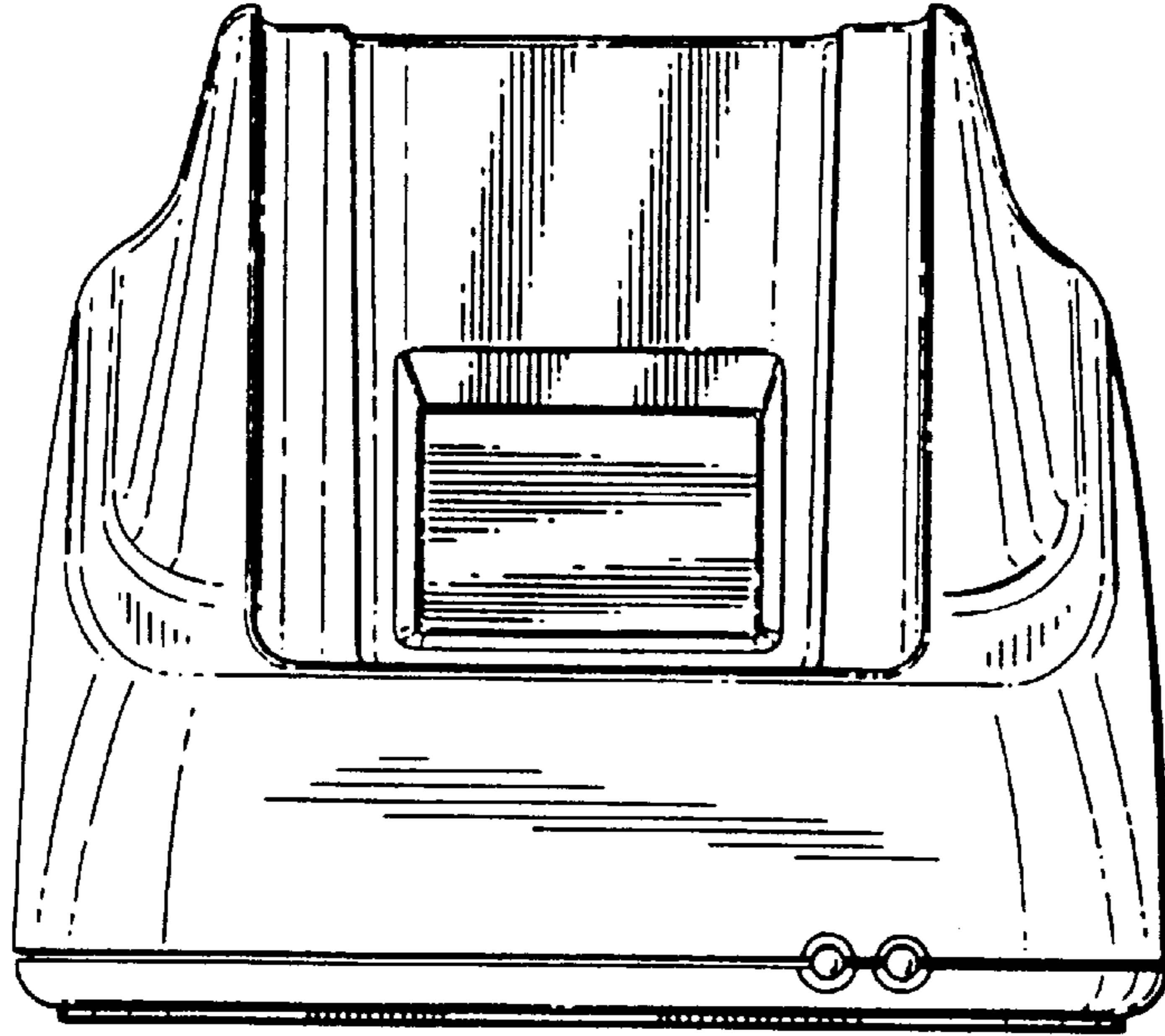


FIG. 5

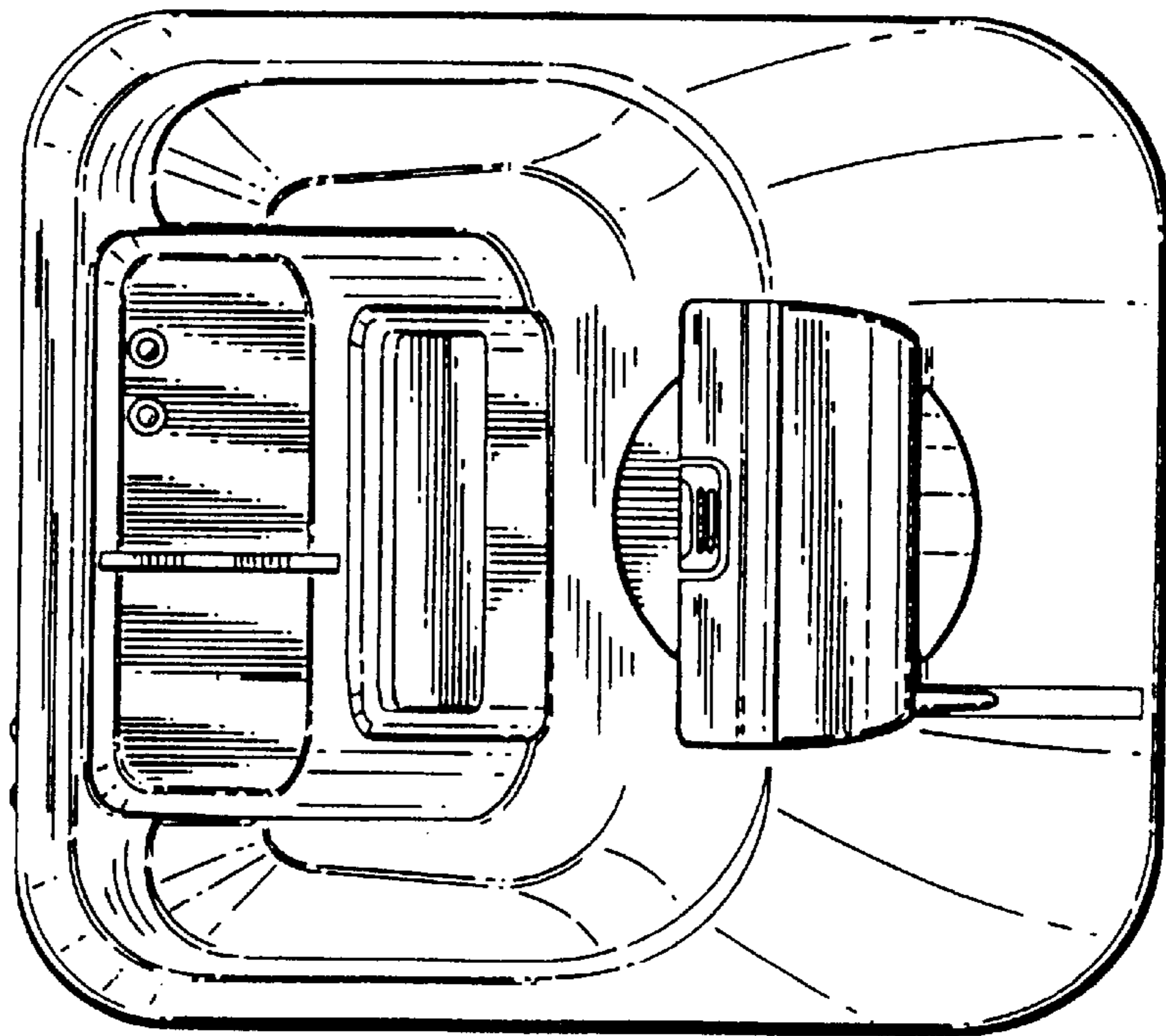


FIG. 6

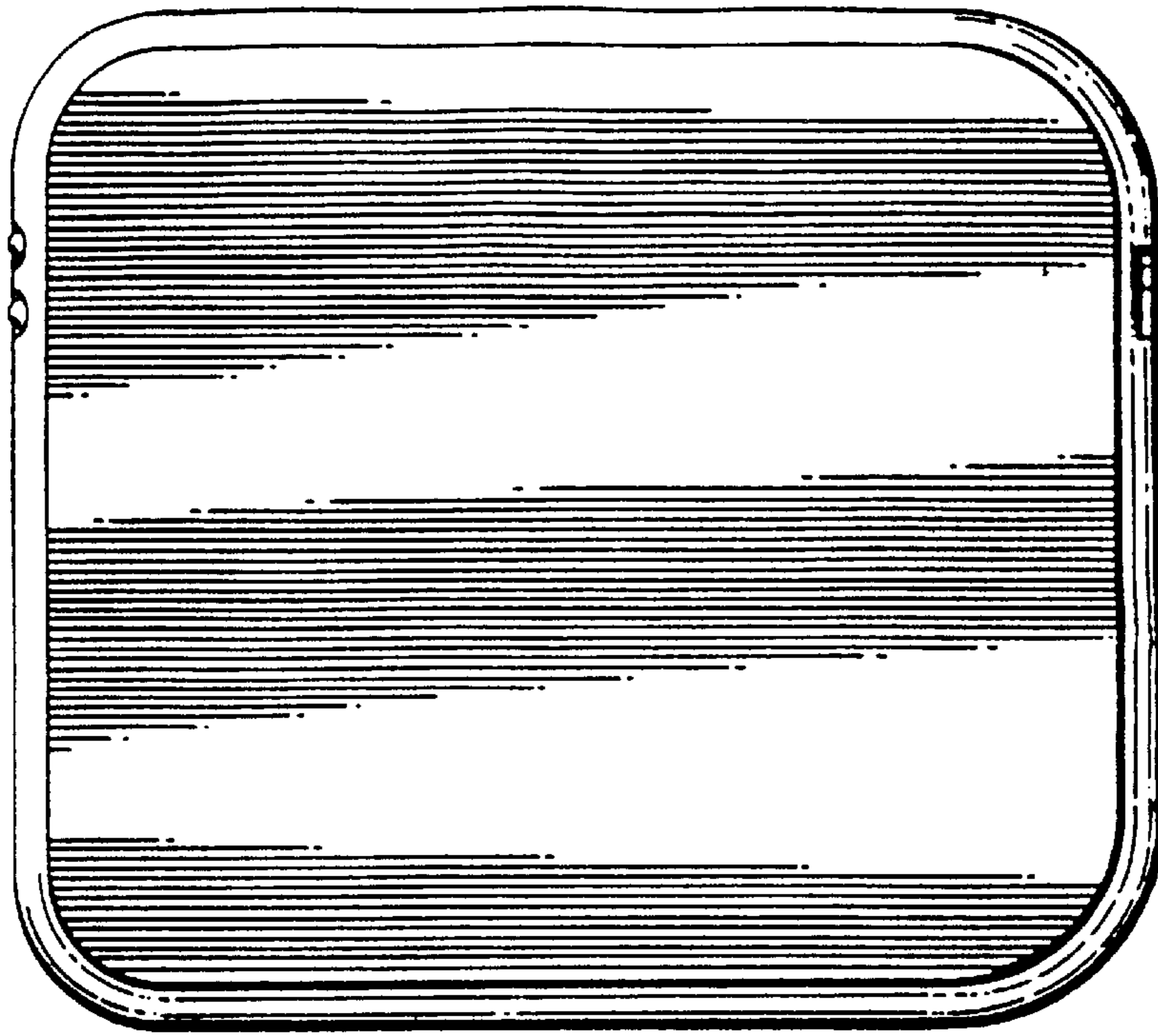


FIG. 7

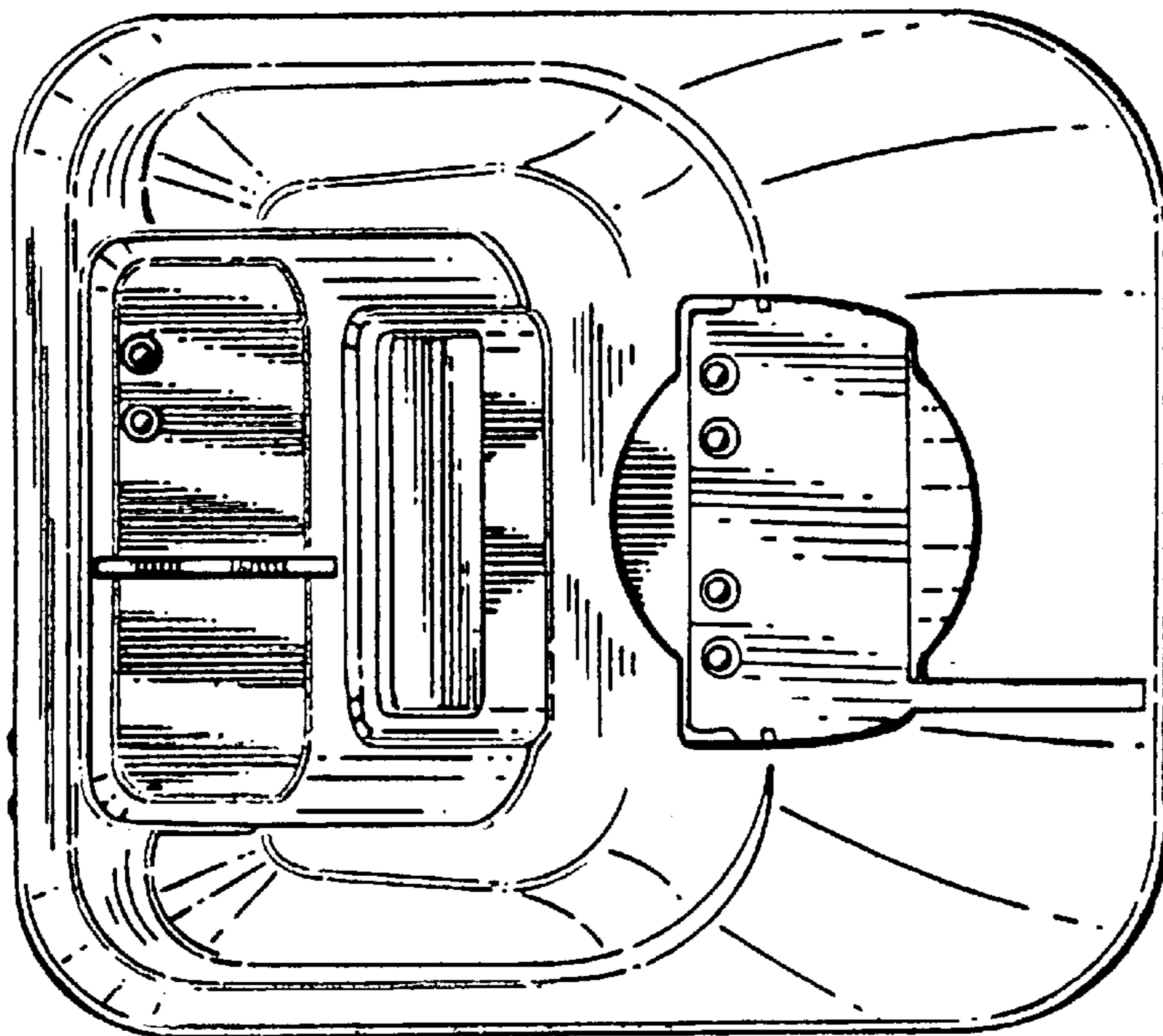


FIG. 8