



US00D399230S

United States Patent [19] Tenne

[11] **Patent Number:** **Des. 399,230**

[45] **Date of Patent:** ****Oct. 6, 1998**

[54] **COUPLING DEVICE - BETWEEN CAMERA AND TRIPOD**

D. 384,642	10/1997	Miyahara	D16/237
4,525,052	6/1985	Kosugi et al.	248/187.1
4,657,216	4/1987	Southgate	248/187.1
5,429,332	7/1995	Ishikawa	248/187.1

[75] Inventor: **Lave Tenne**, Göteborg, Sweden

[73] Assignee: **Victor Hasselblad AB**, Sweden

[**] Term: **14 Years**

[21] Appl. No.: **68,136**

[22] Filed: **Mar. 13, 1997**

[30] **Foreign Application Priority Data**

Sep. 17, 1996 [DE] Germany M 96 08 226.7

[51] **LOC (6) Cl.** **16-05**

[52] **U.S. Cl.** **D16/245; D16/237**

[58] **Field of Search** D8/382; D16/237,
D16/242, 245; 348/373-376; 396/418, 429;
248/187.1

[56] **References Cited**

U.S. PATENT DOCUMENTS

D. 286,787 11/1986 Feinbloom et al. D16/219

Primary Examiner—Ted Shooman
Assistant Examiner—Adir Aronovich
Attorney, Agent, or Firm—Lerner, David, Littenberg,
Krumholz & Mentlik

[57] **CLAIM**

The ornamental design for a coupling device—between camera and tripod, as shown and described.

DESCRIPTION

FIG. 1 is a top perspective view showing the upper side of the coupling device in accordance with the present invention;

FIG. 2 is a bottom perspective view thereof, the lever being in an alternate position; and,

FIG. 3 is a top plan thereof.

1 Claim, 1 Drawing Sheet

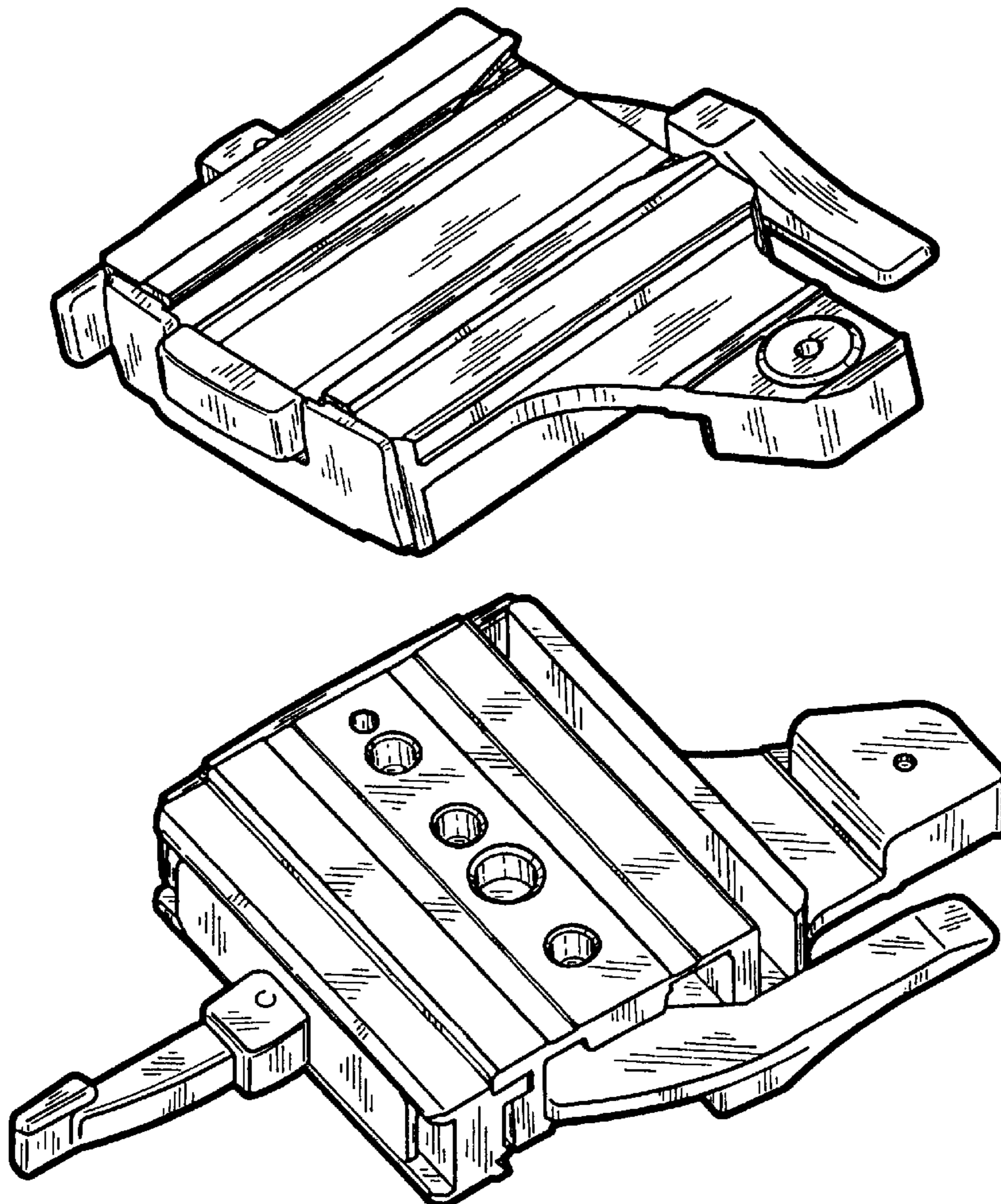


FIG. 1

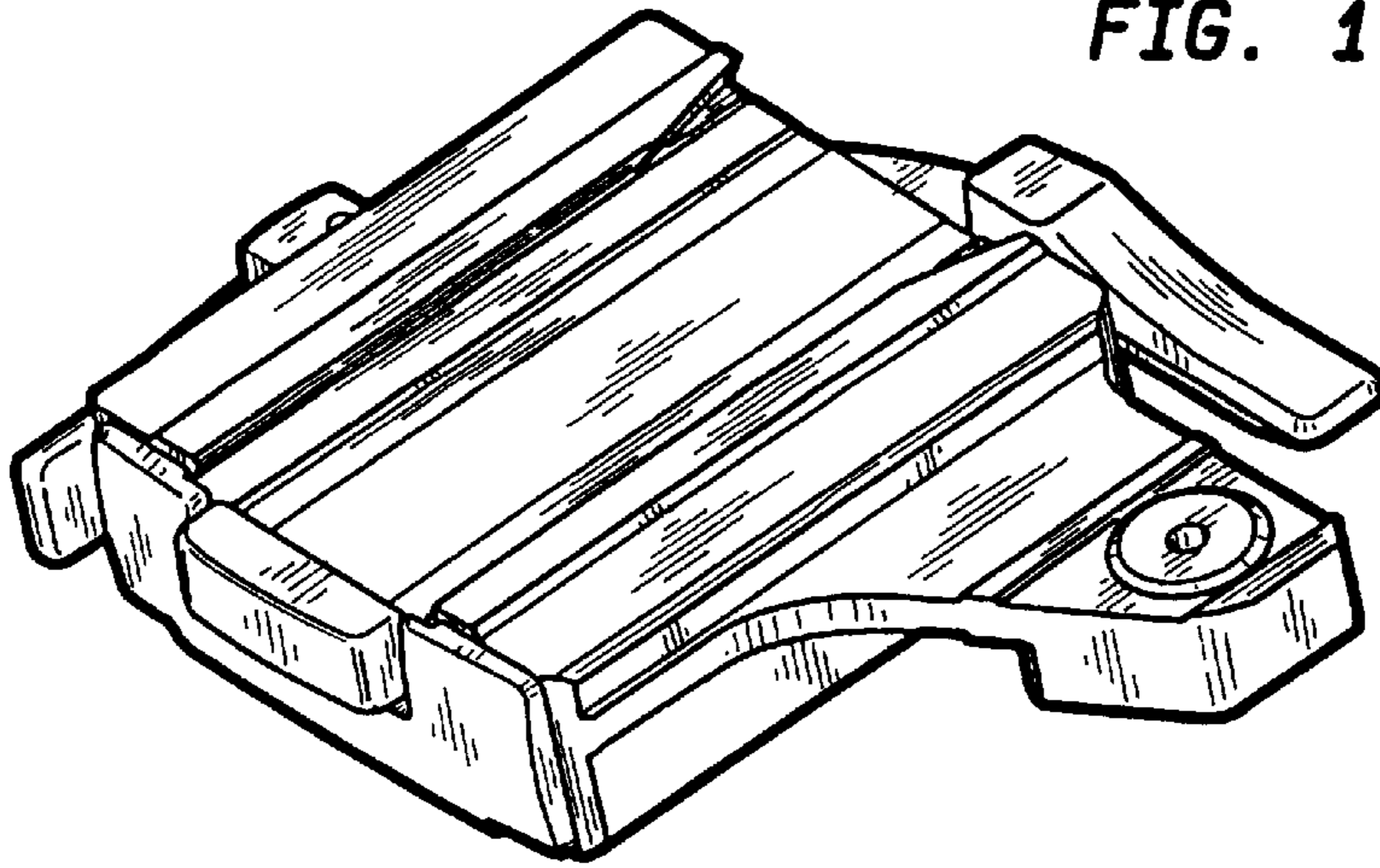


FIG. 2

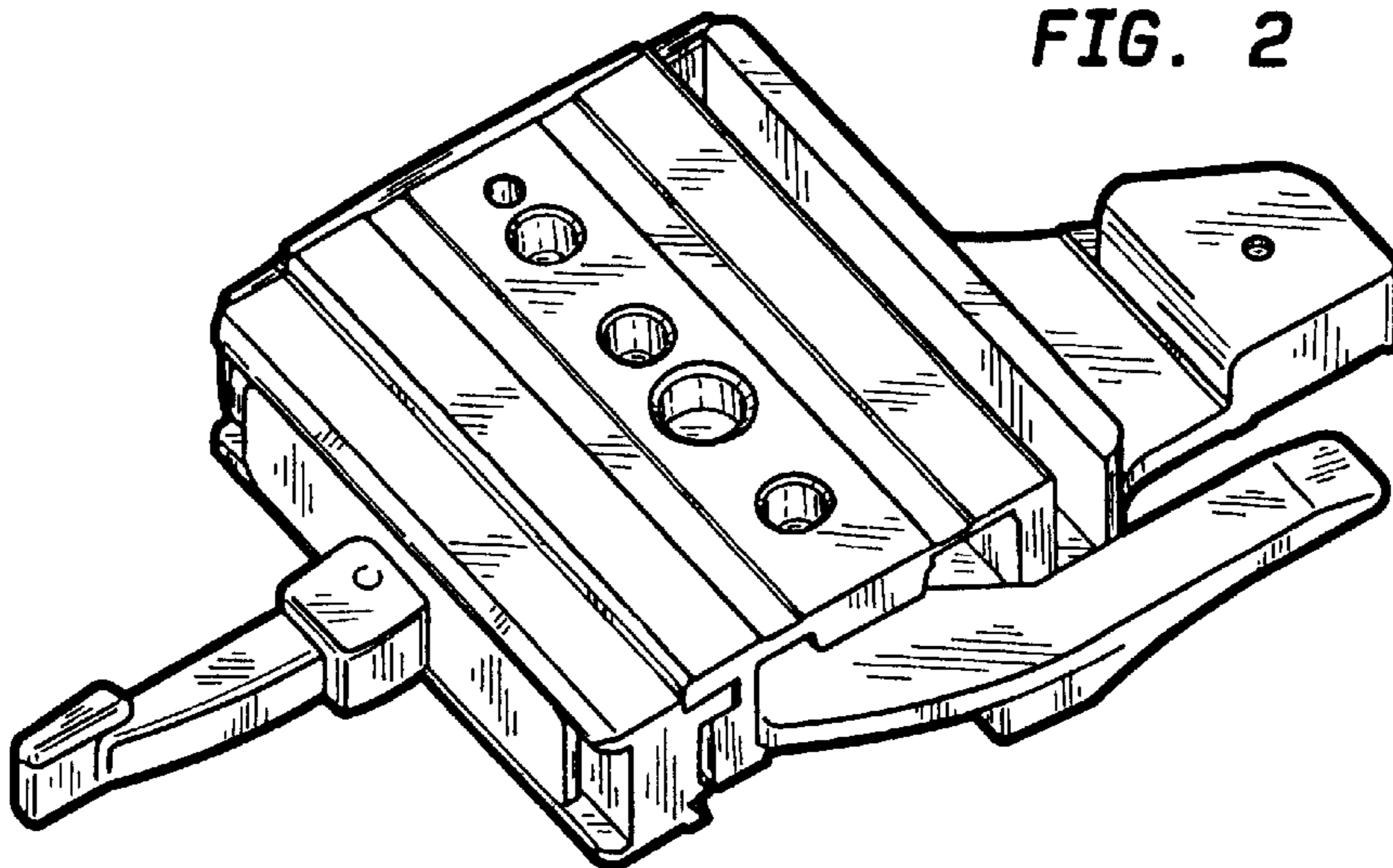


FIG. 3

