



US00D399228S

# United States Patent [19]

Chapman et al.

[11] Patent Number: Des. 399,228

[45] Date of Patent: \*\*Oct. 6, 1998

[54] FLASH CAMERA WITH PARTIAL-COVER CARTON

4,556,304 12/1985 Fukuda ..... 354/288

### FOREIGN PATENT DOCUMENTS

[75] Inventors: Steven Scott Chapman, Corfu; Daniel Clifford Jackson; Ralph Merwin Lyon, both of Rocheser, all of N.Y.

5-197005 8/1993 Japan ..... 354/288

### OTHER PUBLICATIONS

[73] Assignee: Eastman Kodak Company, Rochester, N.Y.

Evans Catalog, 1988–1989 p. 305Y (Vivitar’s PS–135).

[\*\*] Term: 14 Years

Primary Examiner—Ted Shooman  
Assistant Examiner—Adir Aronovich  
Attorney, Agent, or Firm—Roger A. Fields

[21] Appl. No.: 49,820

### [57] CLAIM

[22] Filed: Jan. 31, 1996

The ornamental design for a flash camera with a partial-cover carton, as shown and described.

[51] LOC (6) Cl. .... 16-01

### DESCRIPTION

[52] U.S. Cl. .... D16/209; D16/218

[58] Field of Search ..... D16/200–205, D16/208, 209, 216–218; D9/433; 354/64, 75, 126, 149.11, 202, 288

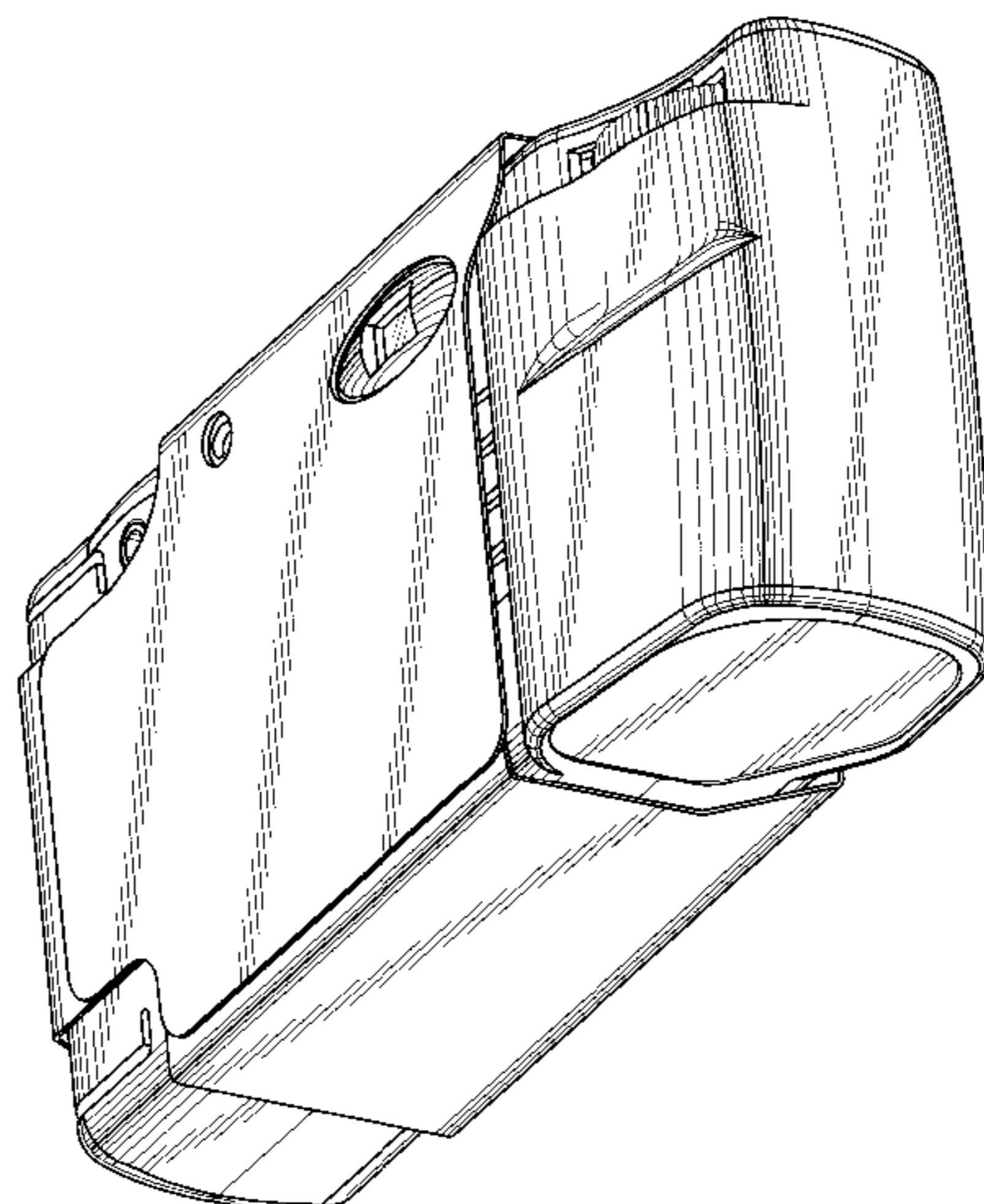
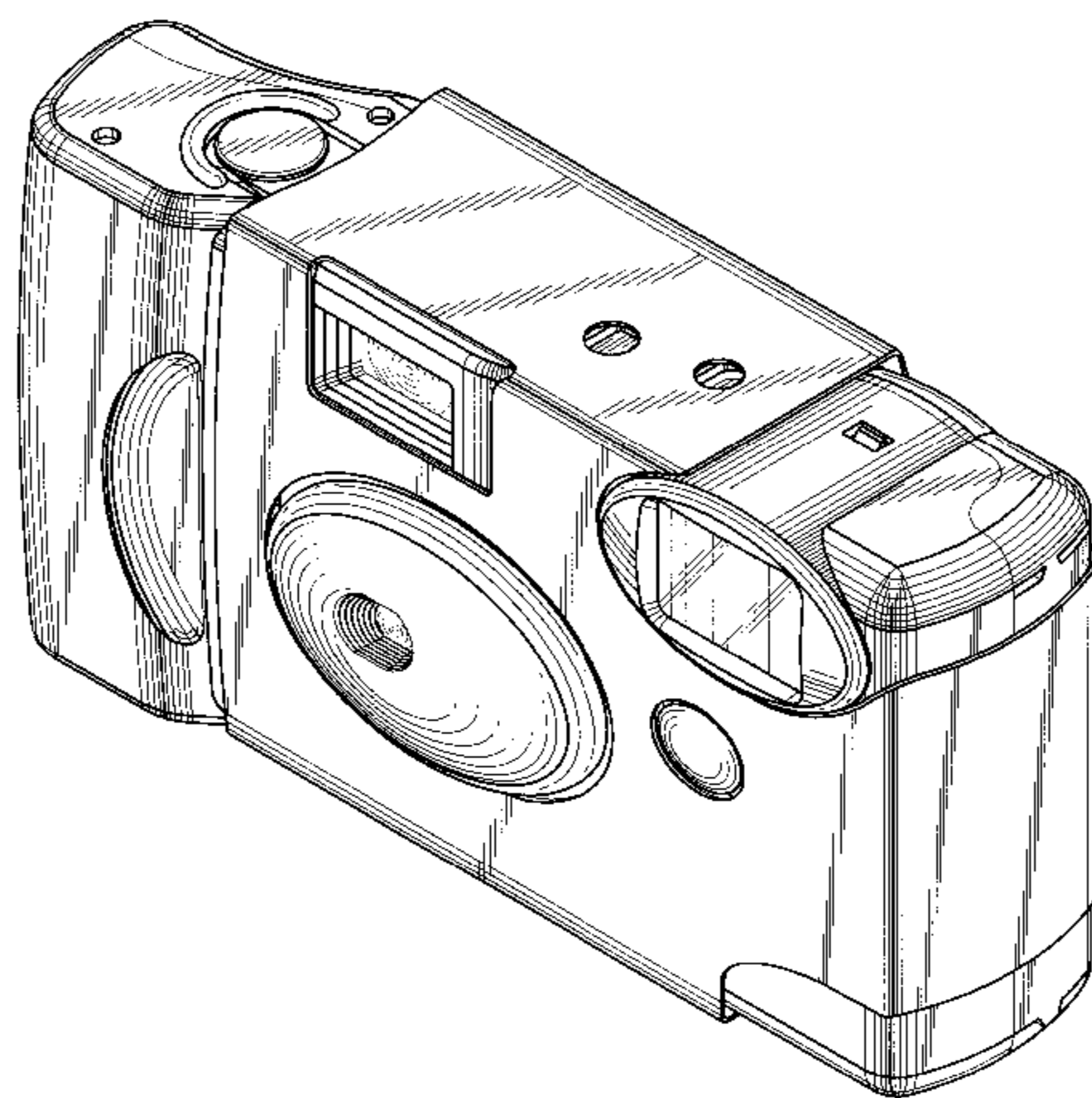
FIG. 1 is a front, top, right-side perspective view of a flash camera with a partial cover carton, showing our new design; FIG. 2 is a rear, bottom, left-side perspective view thereof; FIG. 3 is a front elevation view thereof; FIG. 4 is a rear elevation view thereof; FIG. 5 is a top plan view thereof; FIG. 6 is a bottom plan view thereof; FIG. 7 is a right-side elevation view thereof; and, FIG. 8 is a left-side elevation view thereof.

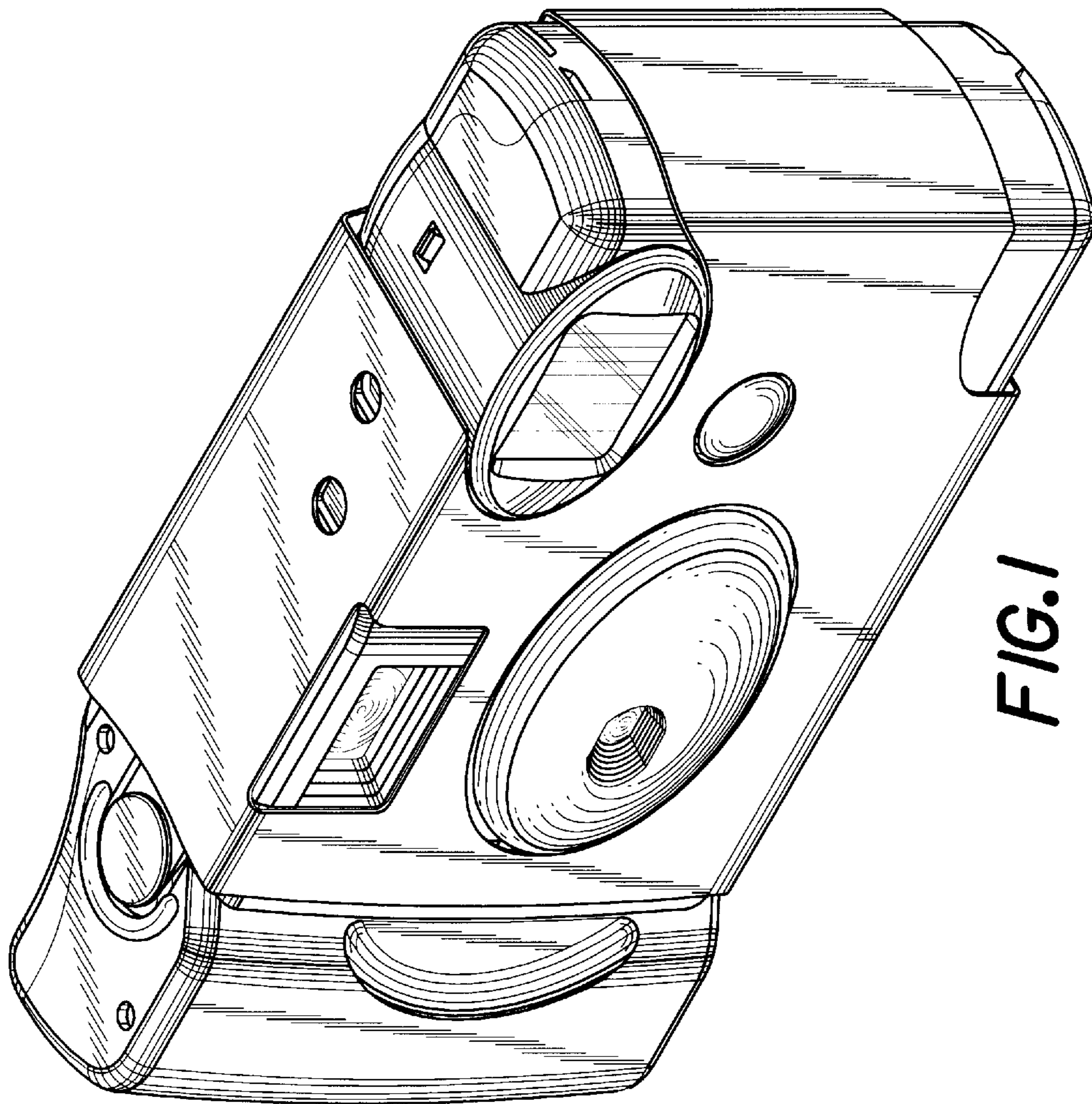
### [56] References Cited

#### U.S. PATENT DOCUMENTS

D. 320,610	10/1991	Chan	.....	D16/209
D. 345,987	4/1994	Nihei	.....	D16/209
D. 364,635	11/1995	Chapman et al.	.....	D16/218
D. 369,820	5/1996	Chapman et al.	.....	D16/209

1 Claim, 8 Drawing Sheets





**FIG. 1**

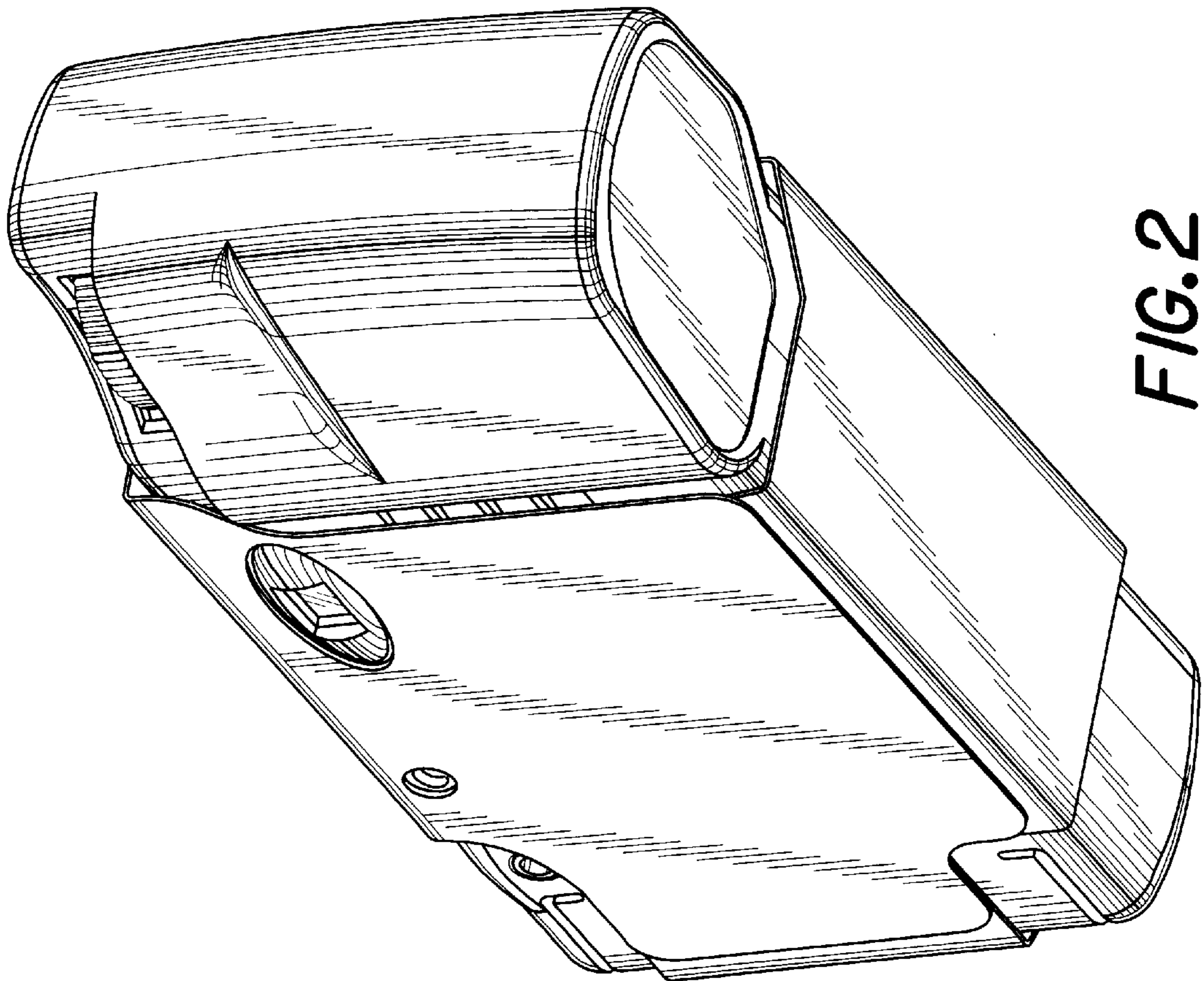


FIG. 2



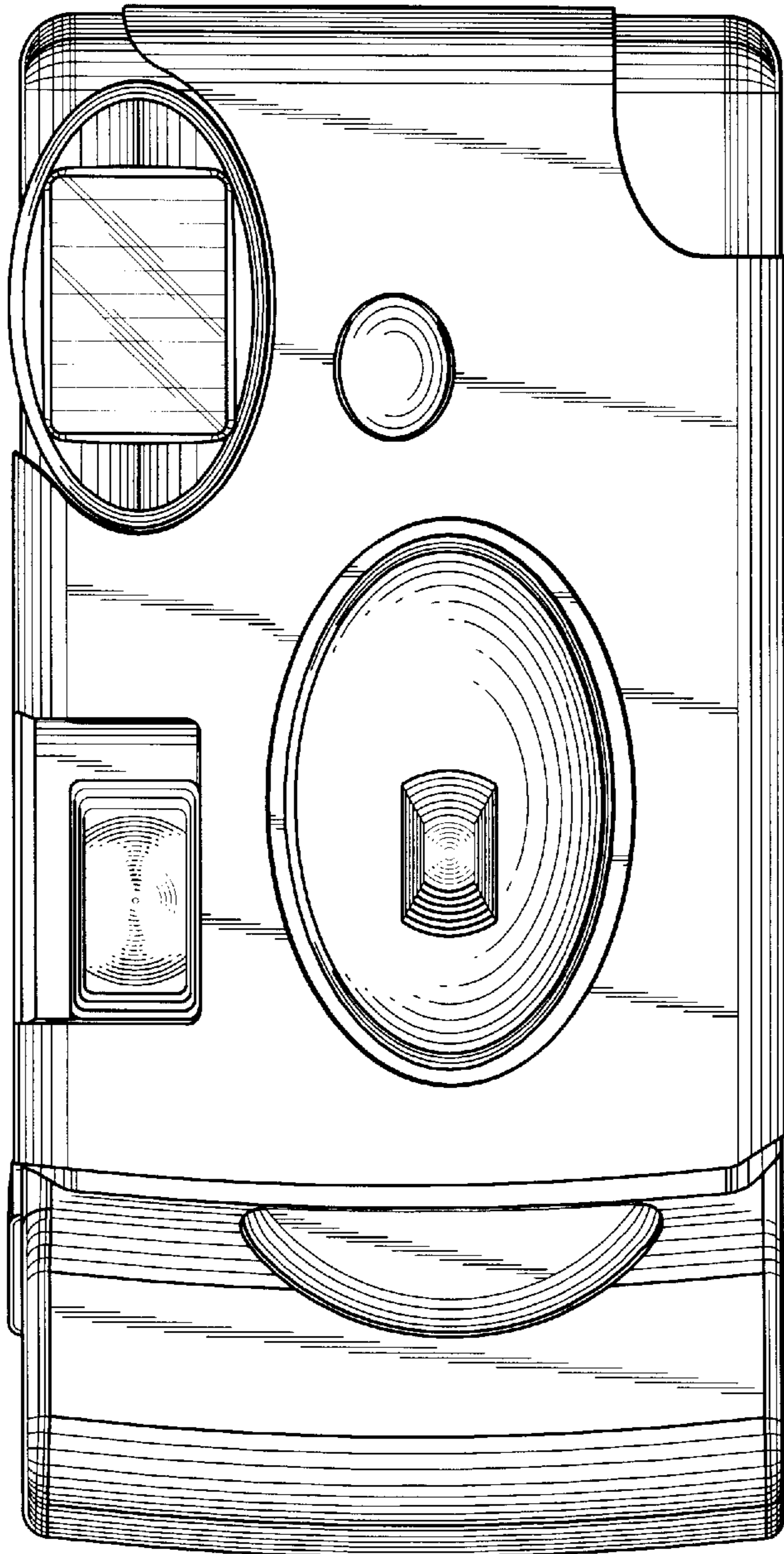
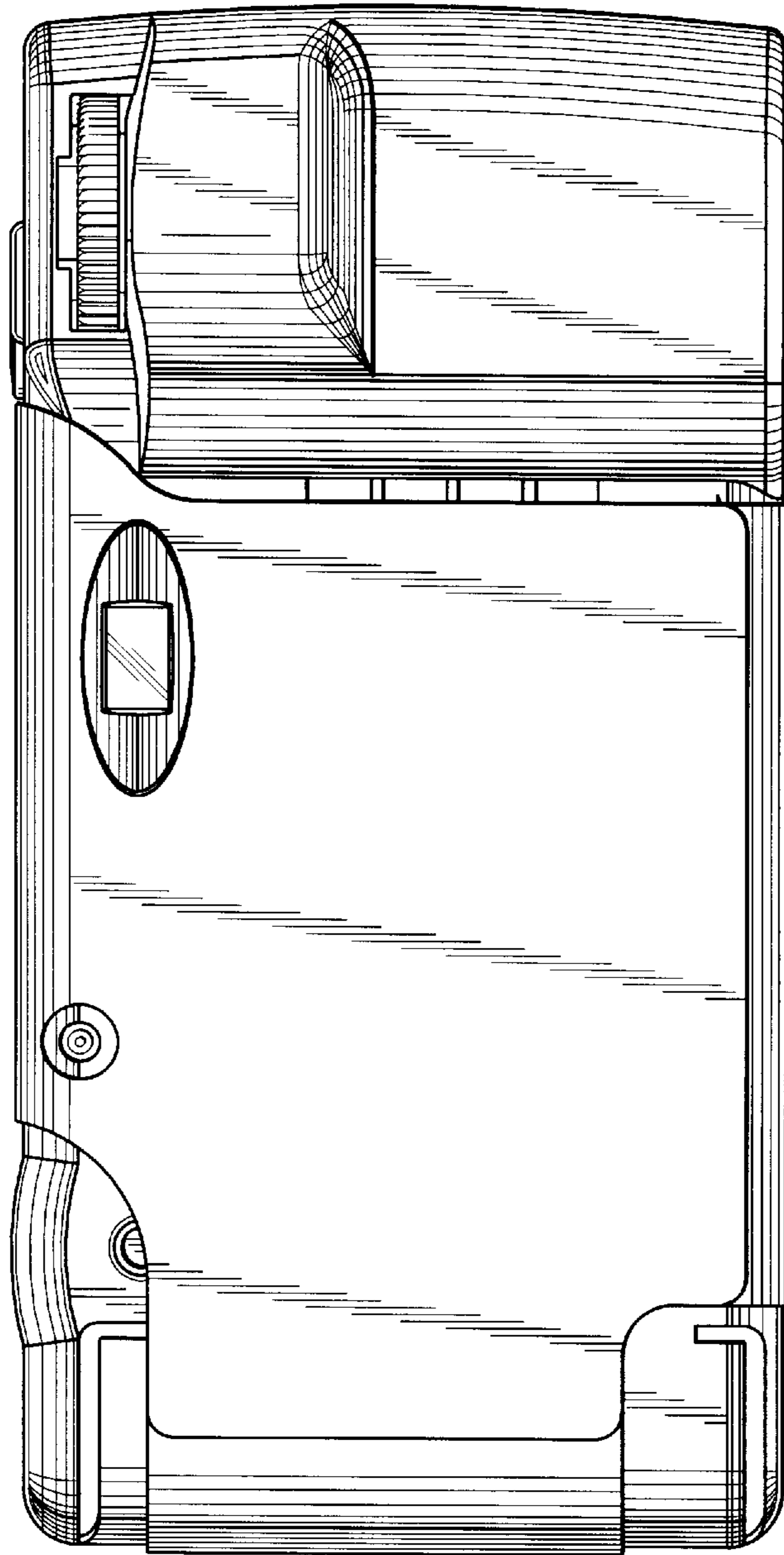


FIG. 3



*FIG. 4*

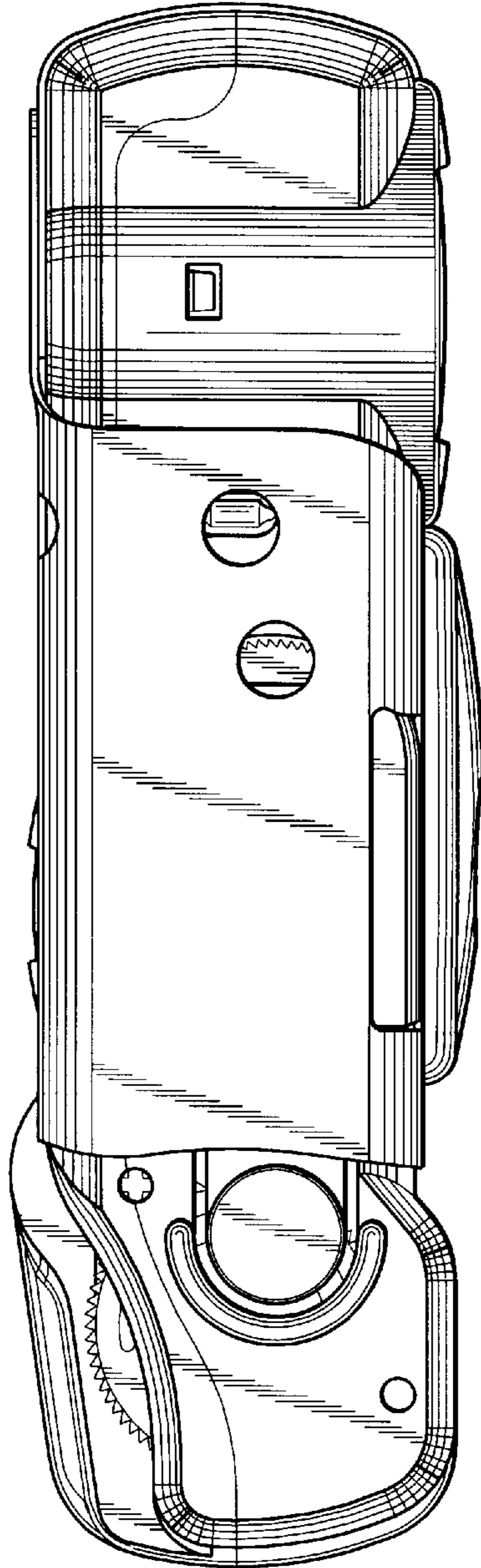
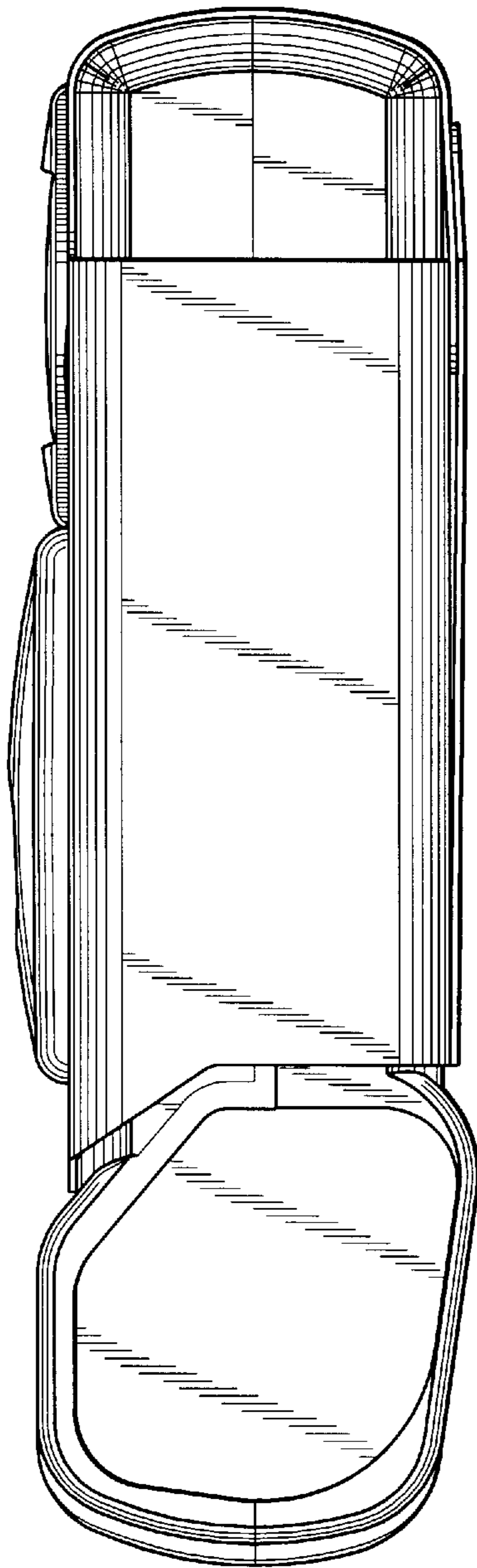
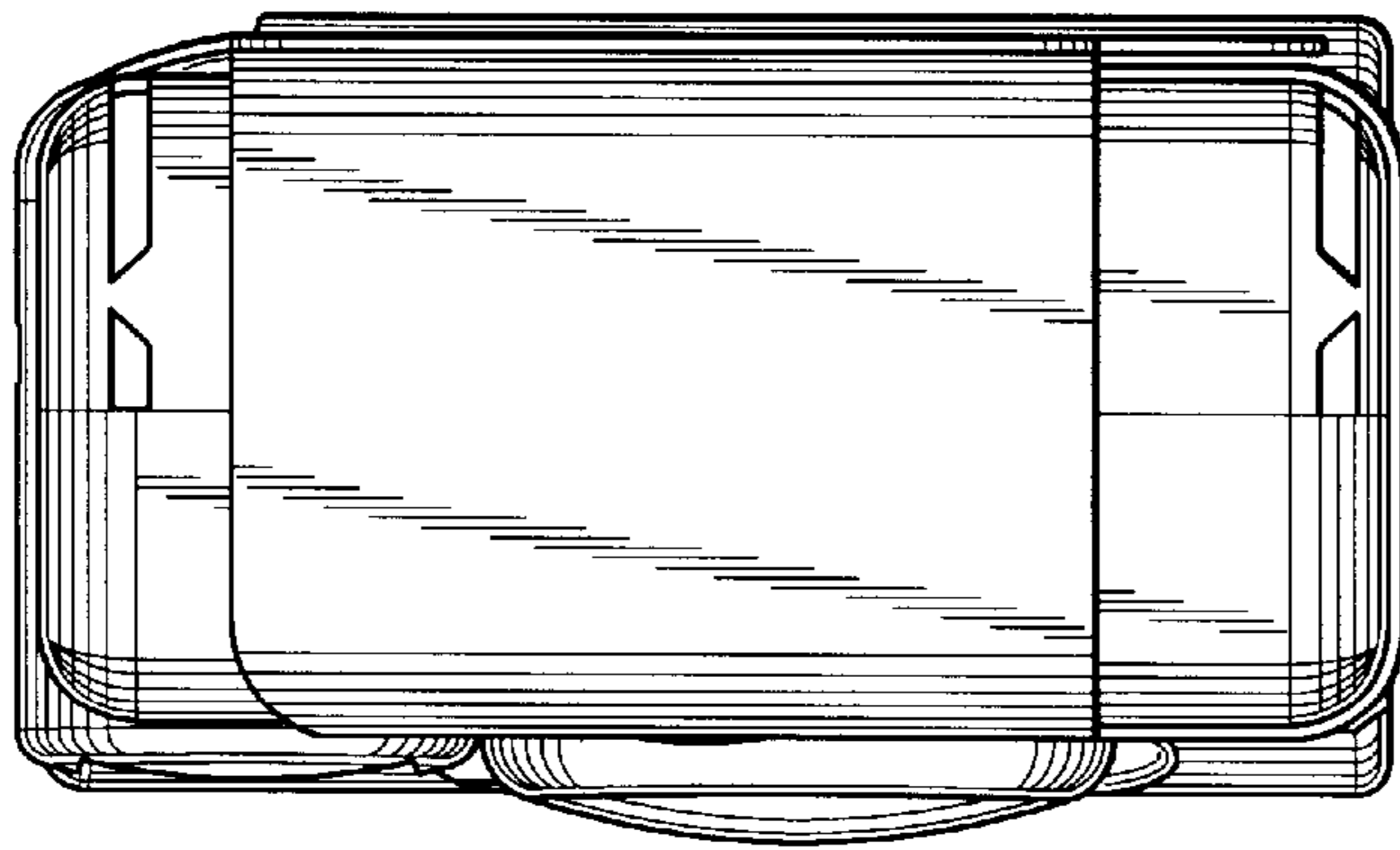


FIG. 5

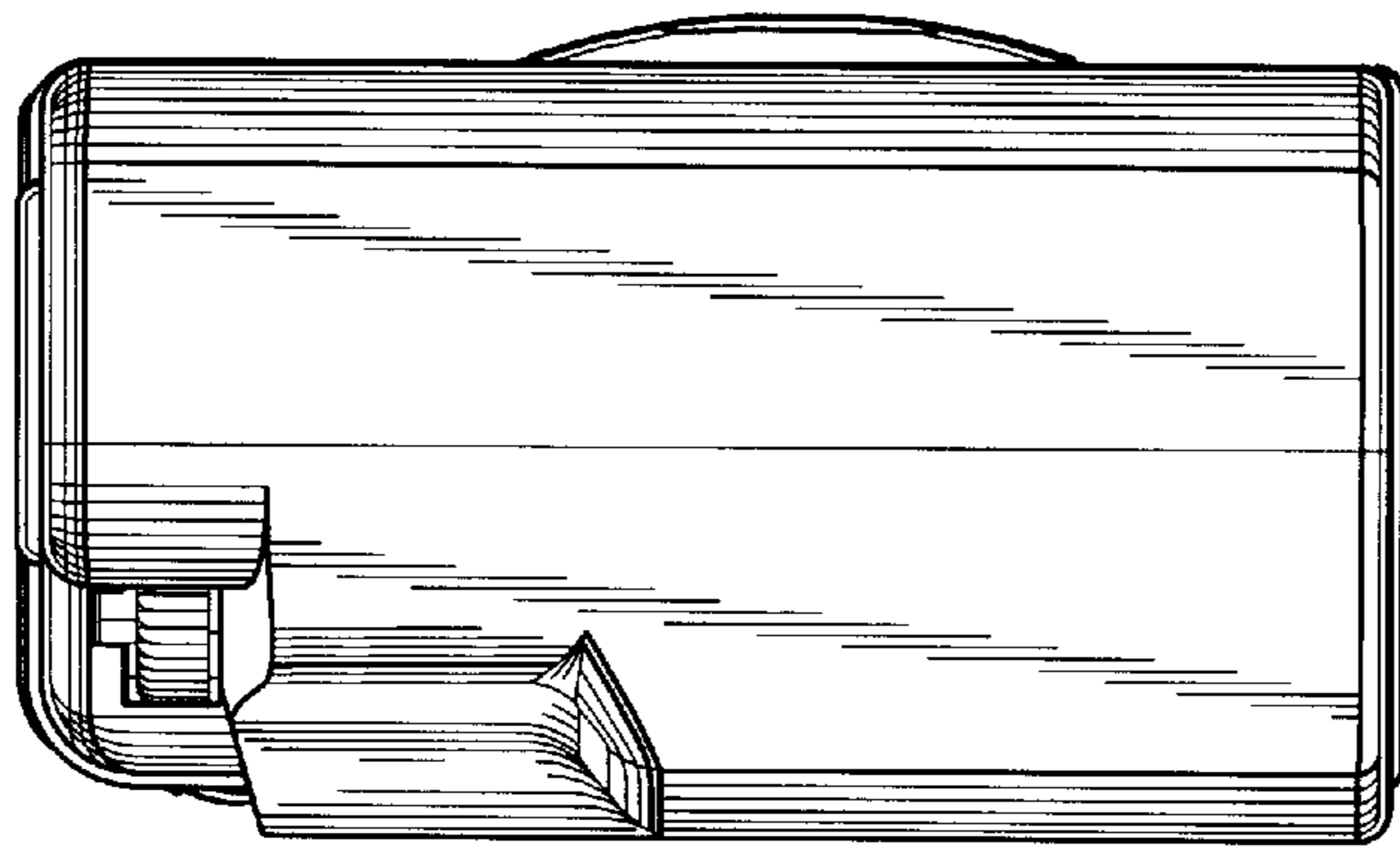


**FIG. 6**



**FIG. 7**





**FIG. 8**