



US00D399227S

United States Patent [19]
Chapman et al.

[11] **Patent Number: Des. 399,227**
[45] **Date of Patent: **Oct. 6, 1998**

[54] **FLASH CAMERA**

[75] Inventors: **Steven Scott Chapman**, Corfu; **Ralph Merwin Lyon**, Rochester, both of N.Y.

[73] Assignee: **Eastman Kodak Company**, Rochester, N.Y.

[**] Term: **14 Years**

[21] Appl. No.: **49,739**

[22] Filed: **Jan. 31, 1996**

[51] **LOC (6) Cl.** **16-01**

[52] **U.S. Cl.** **D16/209; D16/218**

[58] **Field of Search** **D16/200-205, D16/208, 209, 216-218; 354/64, 75, 126, 149.11, 202, 288**

[56] **References Cited**

U.S. PATENT DOCUMENTS

D. 320,610	10/1991	Chan	D16/209
D. 345,987	4/1994	Nihei	D16/209
D. 364,635	11/1995	Chapman et al.	D16/218
D. 369,820	5/1996	Chapman et al.	D16/209
4,556,304	12/1985	Fukuda	354/288

FOREIGN PATENT DOCUMENTS

5-197005 8/1993 Japan 354/288

OTHER PUBLICATIONS

Evans Catalog, 1988-1989 p. 305Y (Vivitar's PS-135).

Primary Examiner—Ted Shooman

Assistant Examiner—Adir Aronovich

Attorney, Agent, or Firm—Roger A. Fields

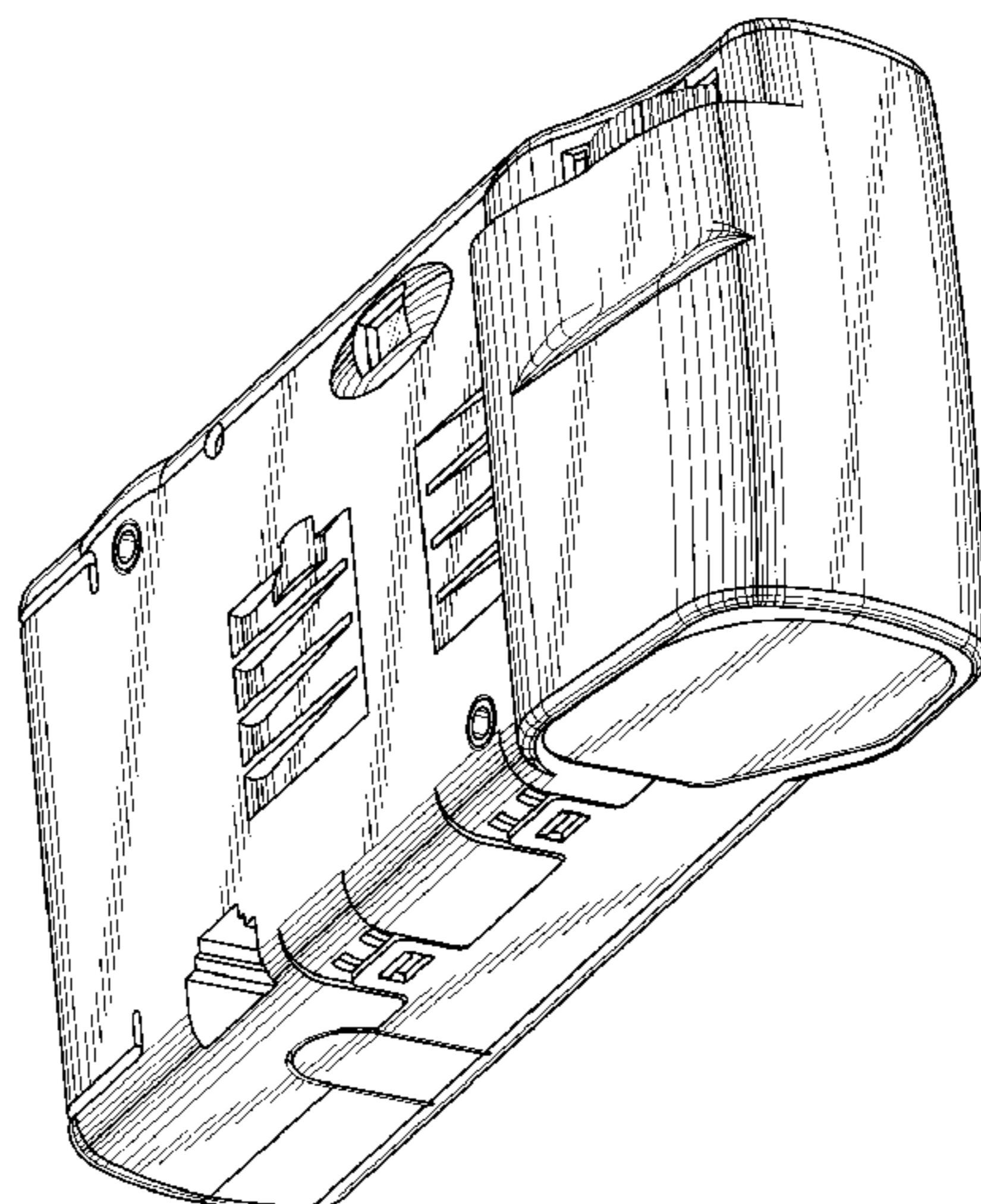
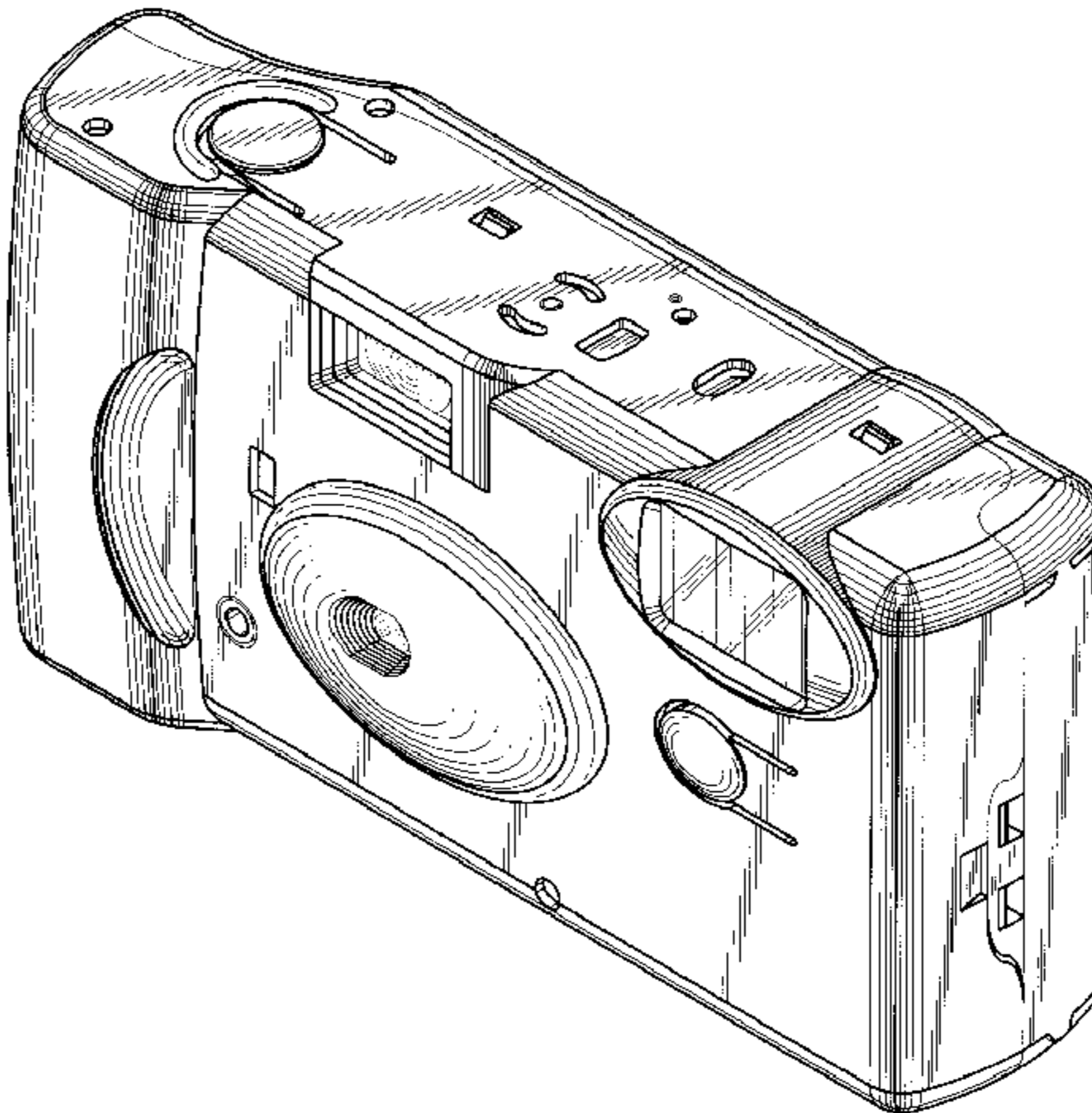
[57] **CLAIM**

The ornamental design for a flash camera, as shown and described.

DESCRIPTION

FIG. 1 is a front, top, right-side perspective view of a flash camera, showing our new design; FIG. 2 is a rear, bottom, left-side perspective view thereof; FIG. 3 is a front elevation view thereof; FIG. 4 is a rear elevation view thereof; FIG. 5 is a top plan view thereof; FIG. 6 is a bottom plan view thereof; FIG. 7 is a right-side elevation view thereof; and, FIG. 8 is a left-side elevation view thereof.

1 Claim, 8 Drawing Sheets



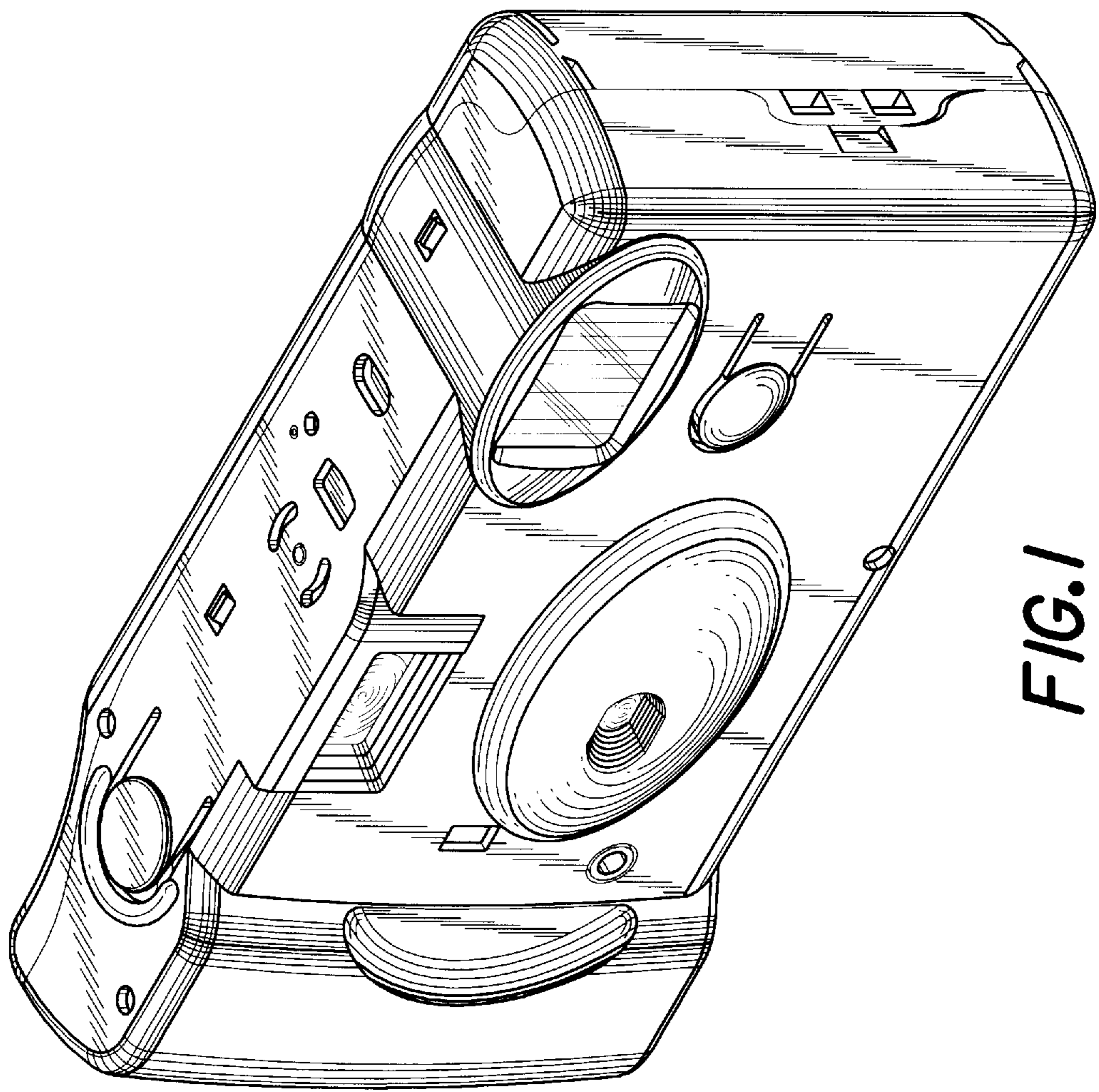


FIG. 1

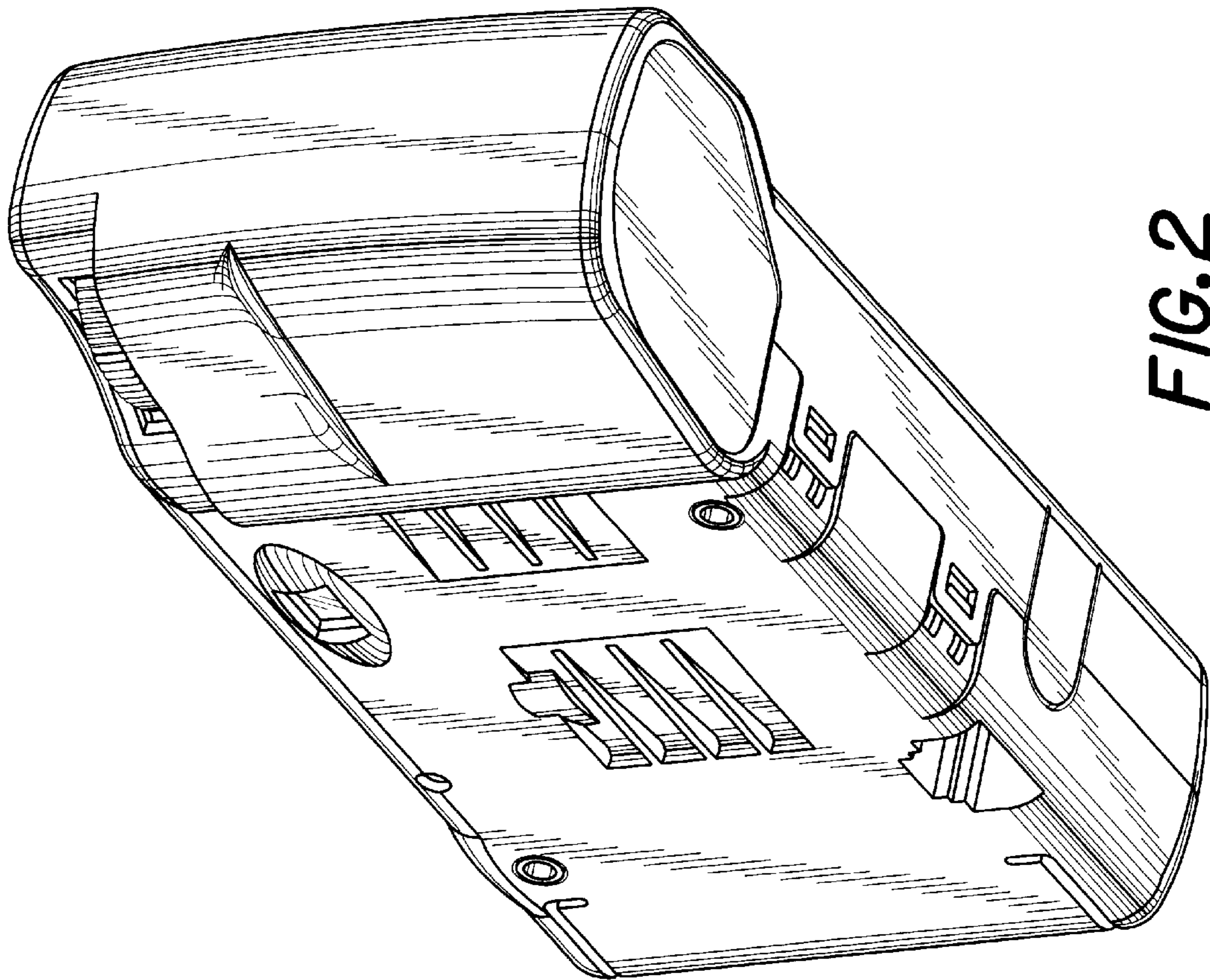


FIG. 2

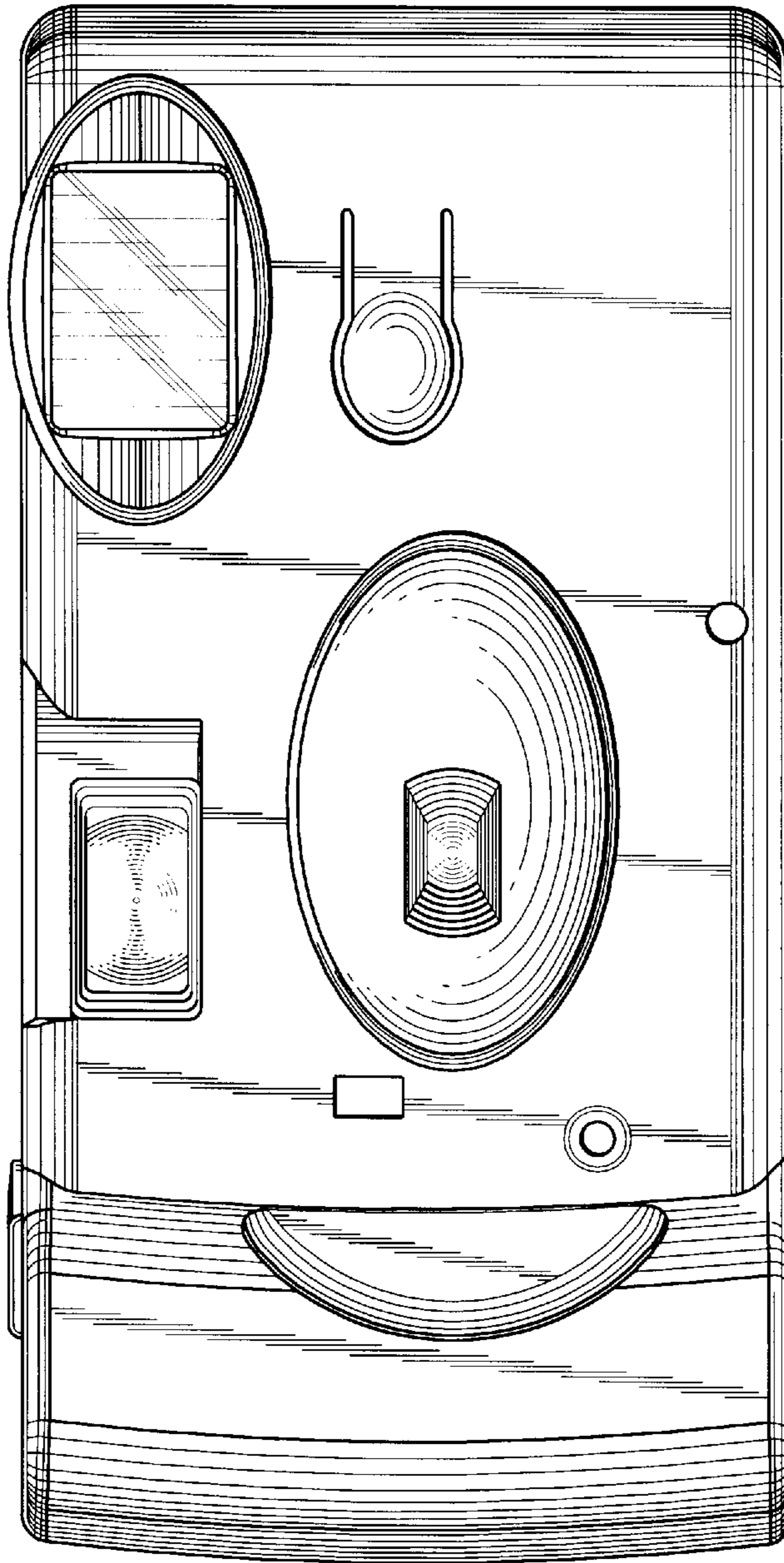


FIG. 3

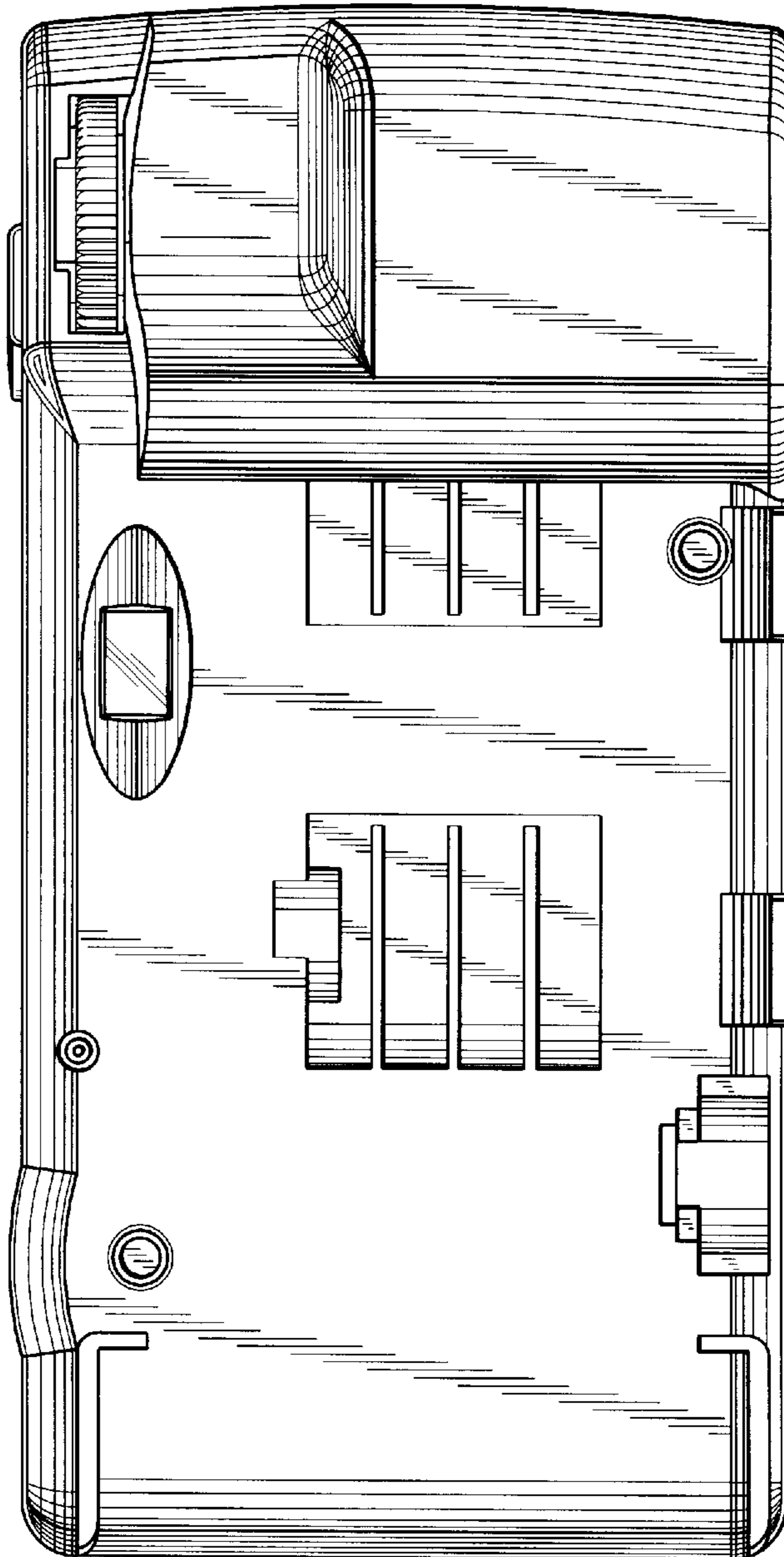


FIG. 4

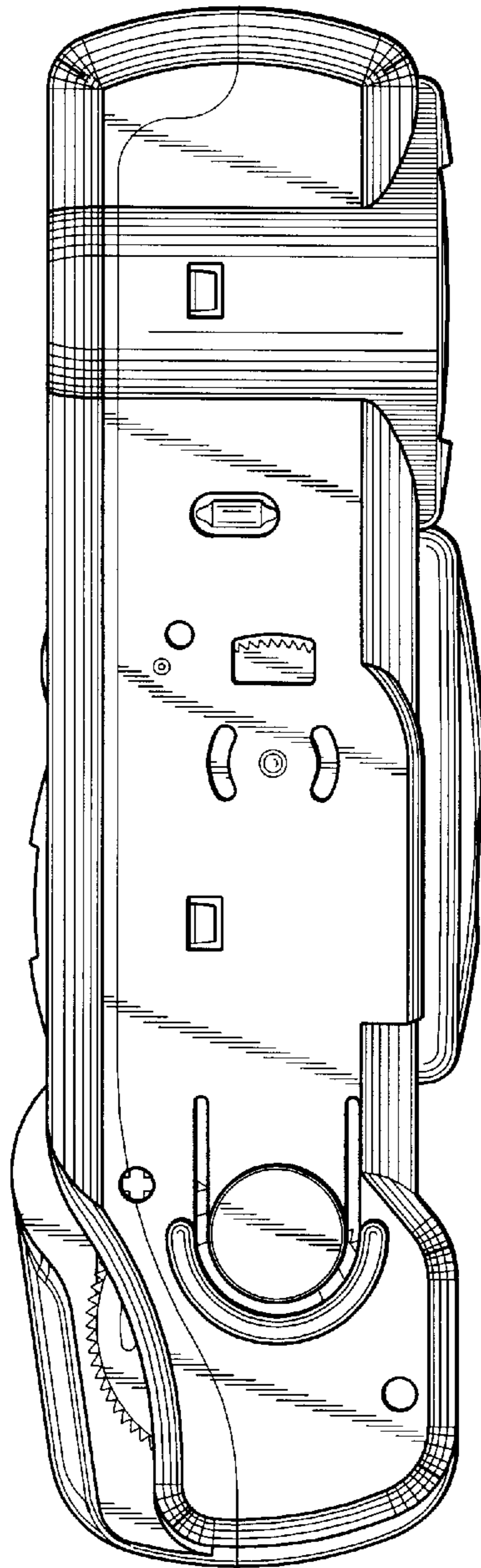


FIG. 5

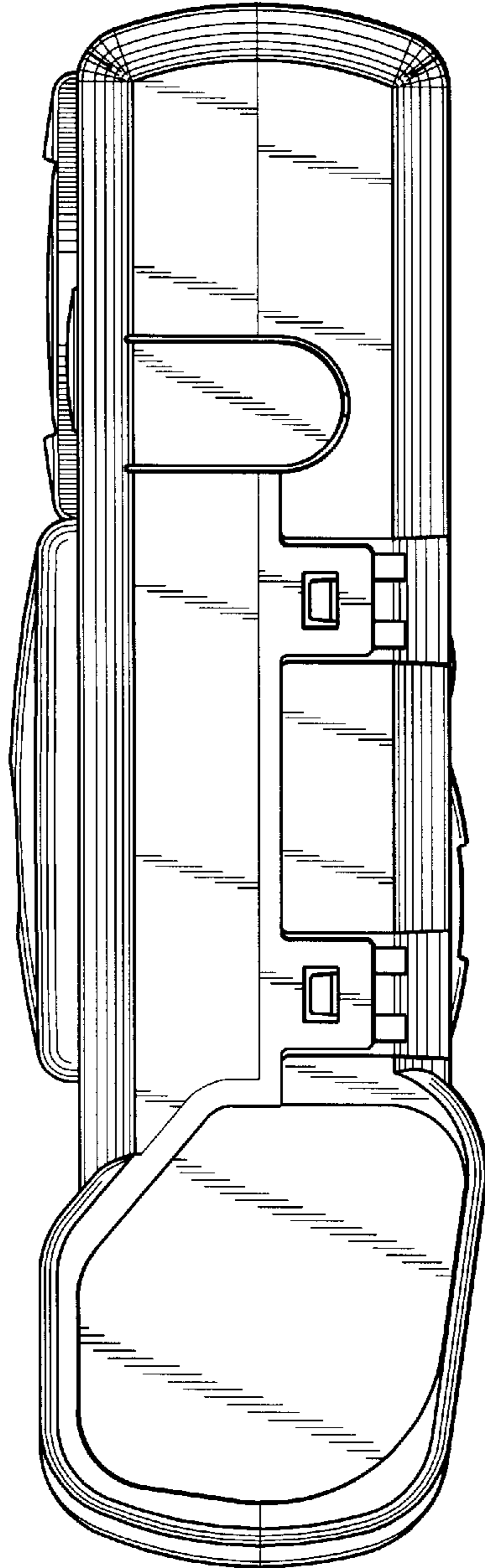


FIG. 6

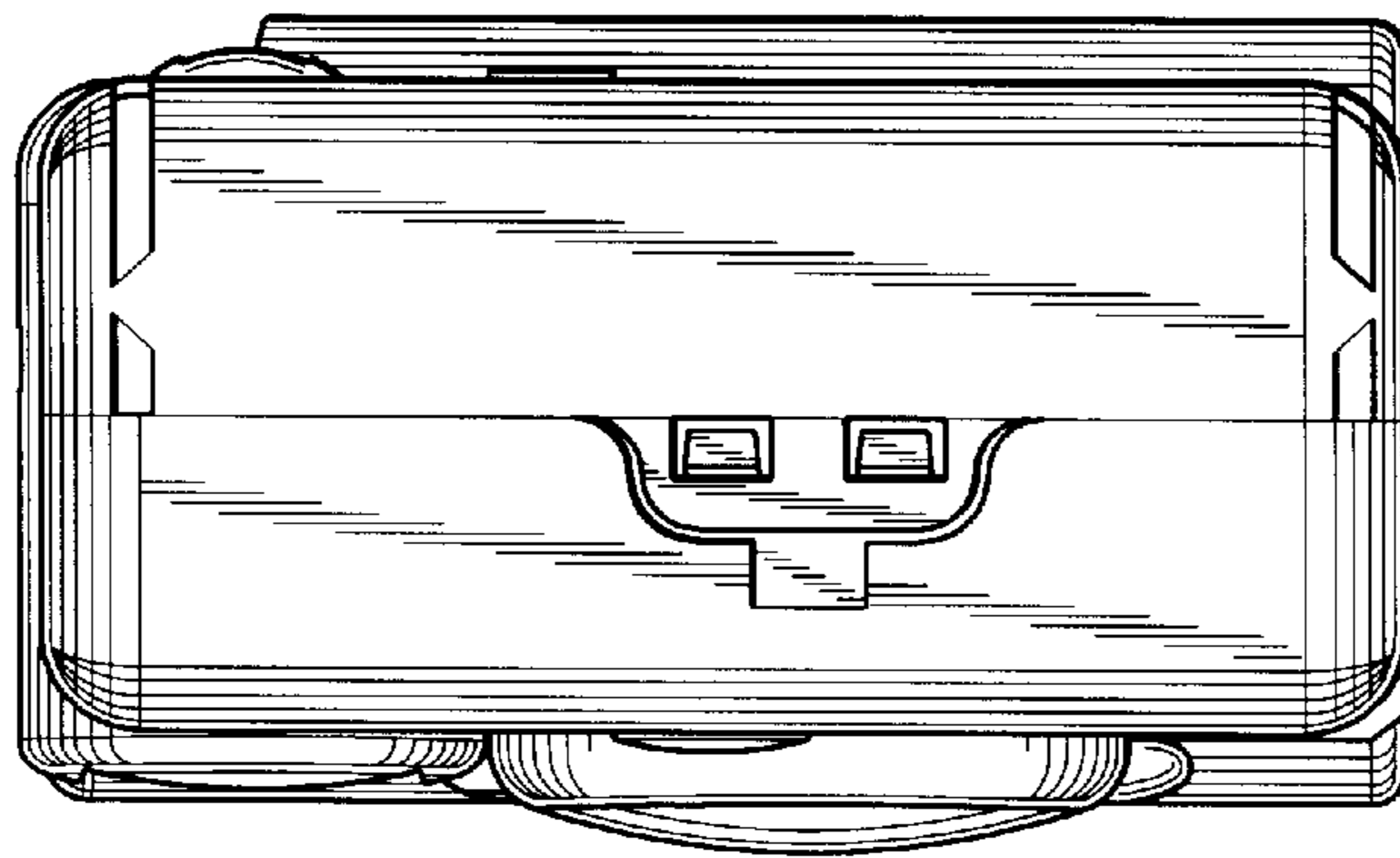


FIG. 7

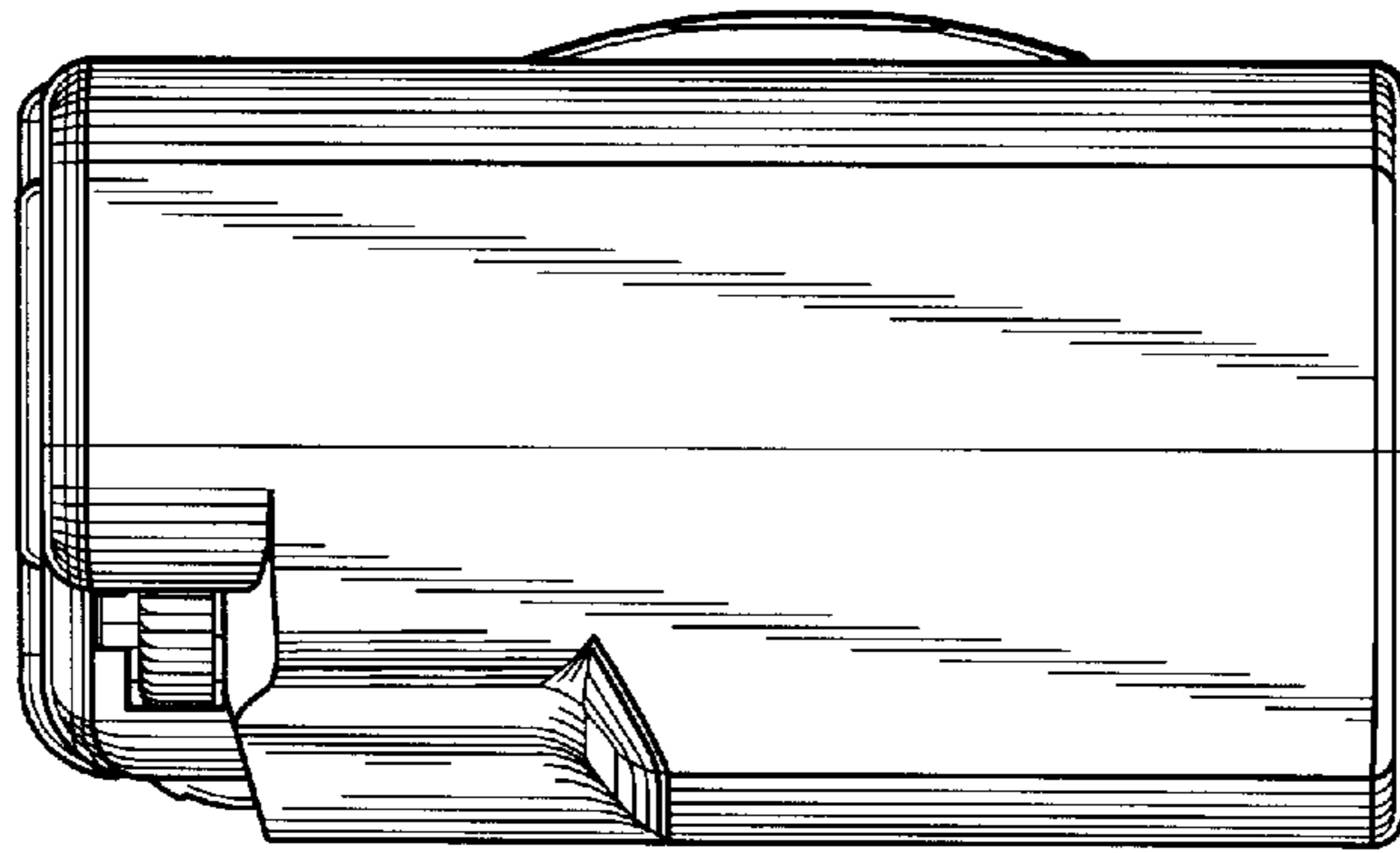


FIG. 8