



US00D399225S

United States Patent [19] Ishii

[11] **Patent Number: Des. 399,225**
[45] **Date of Patent: **Oct. 6, 1998**

[54] **COMBINED VIDEO TAPE RECORDER AND CAMERA**

6-54240 2/1994 Japan H04N 5/225

[75] Inventor: **Daisuke Ishii**, Tokyo, Japan

[73] Assignee: **Sony Corporation**, Tokyo, Japan

[**] Term: **14 Years**

[21] Appl. No.: **59,481**

[22] Filed: **Sep. 12, 1996**

OTHER PUBLICATIONS

Viva Video, Apr. 30, 1990 p. 68 (Videocamera GR-A1).

Primary Examiner—Philip S. Hyder
Assistant Examiner—Adir Aronovich
Attorney, Agent, or Firm—Foley & Lardner

Related U.S. Application Data

[62] Division of Ser. No. 35,625, Mar. 3, 1995, Pat. No. Des. 375,318.

[51] **LOC (6) Cl.** **16-01**

[52] **U.S. Cl.** **D16/202**

[58] **Field of Search** D16/200-208;
348/373-376; 358/906; 396/29, 190, 535-543;
H04N 2/225

[57] CLAIM

The ornamental design for a combined video tape recorder and camera, as shown and described.

DESCRIPTION

FIG. 1 is a top, front perspective view of a combined video tape recorder and camera showing my new design;
FIG. 2 is a top, rear perspective view thereof, the viewing screen shown in an open position;
FIG. 3 is a top, rear perspective view thereof, the viewing screen shown in the first alternate position;
FIG. 4 is a top, rear perspective view thereof, the viewing screen shown in the second alternate position;
FIG. 5 is a top plan view thereof;
FIG. 6 is a left side elevational view thereof;
FIG. 7 is a front elevational view thereof;
FIG. 8 is a right side elevational view thereof;
FIG. 9 is a bottom plan view thereof; and,
FIG. 10 is a rear elevational view thereof.

[56] References Cited

U.S. PATENT DOCUMENTS

D. 342,540	12/1993	Mori et al.	D16/202
D. 356,325	3/1995	Sogabe	D16/202
D. 356,807	3/1995	Sato et al.	D16/202
D. 365,354	12/1995	Sung	D16/202
D. 372,255	7/1996	Nakamura	D16/202

FOREIGN PATENT DOCUMENTS

4-84571 3/1992 Japan H04N 5/225

1 Claim, 4 Drawing Sheets

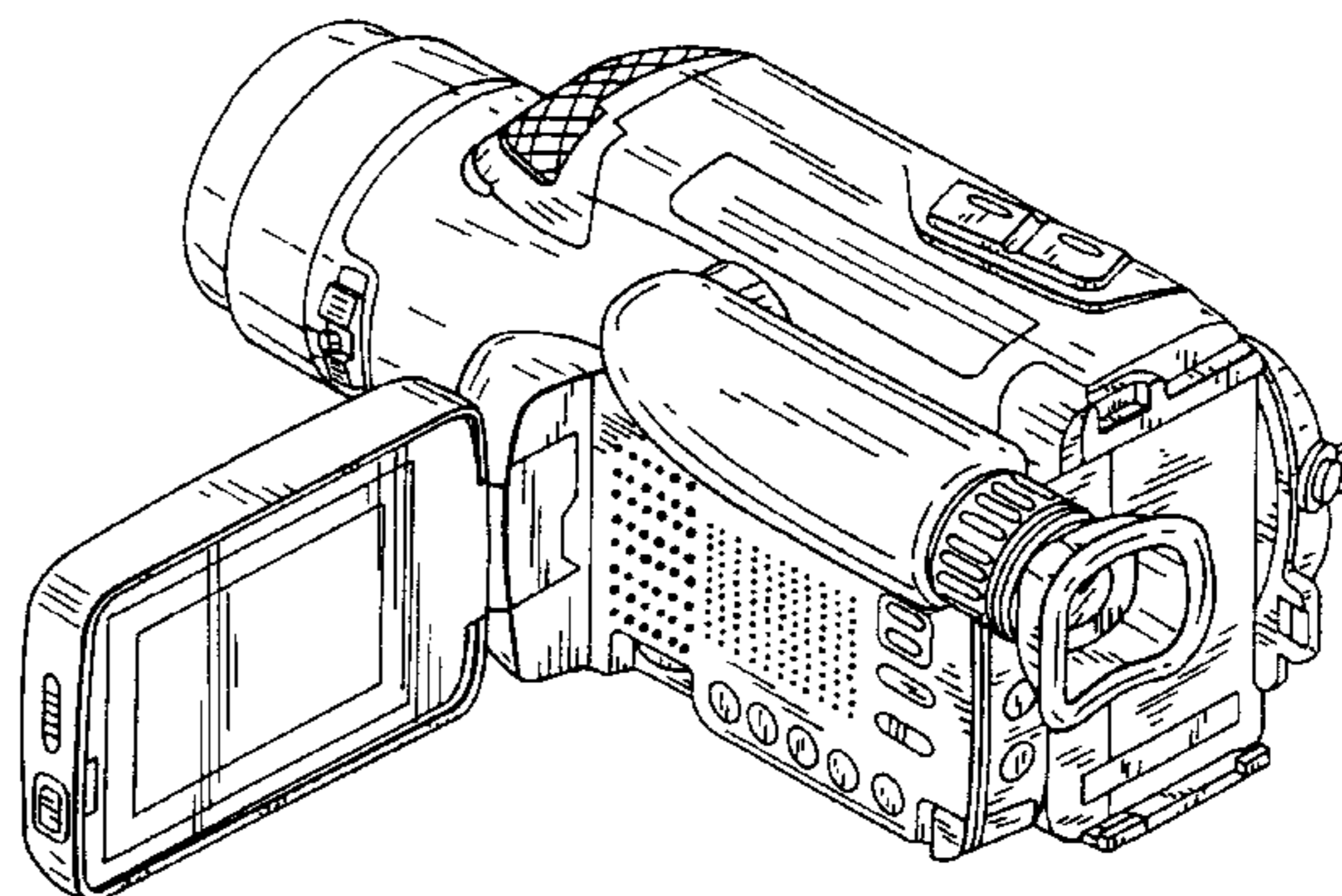
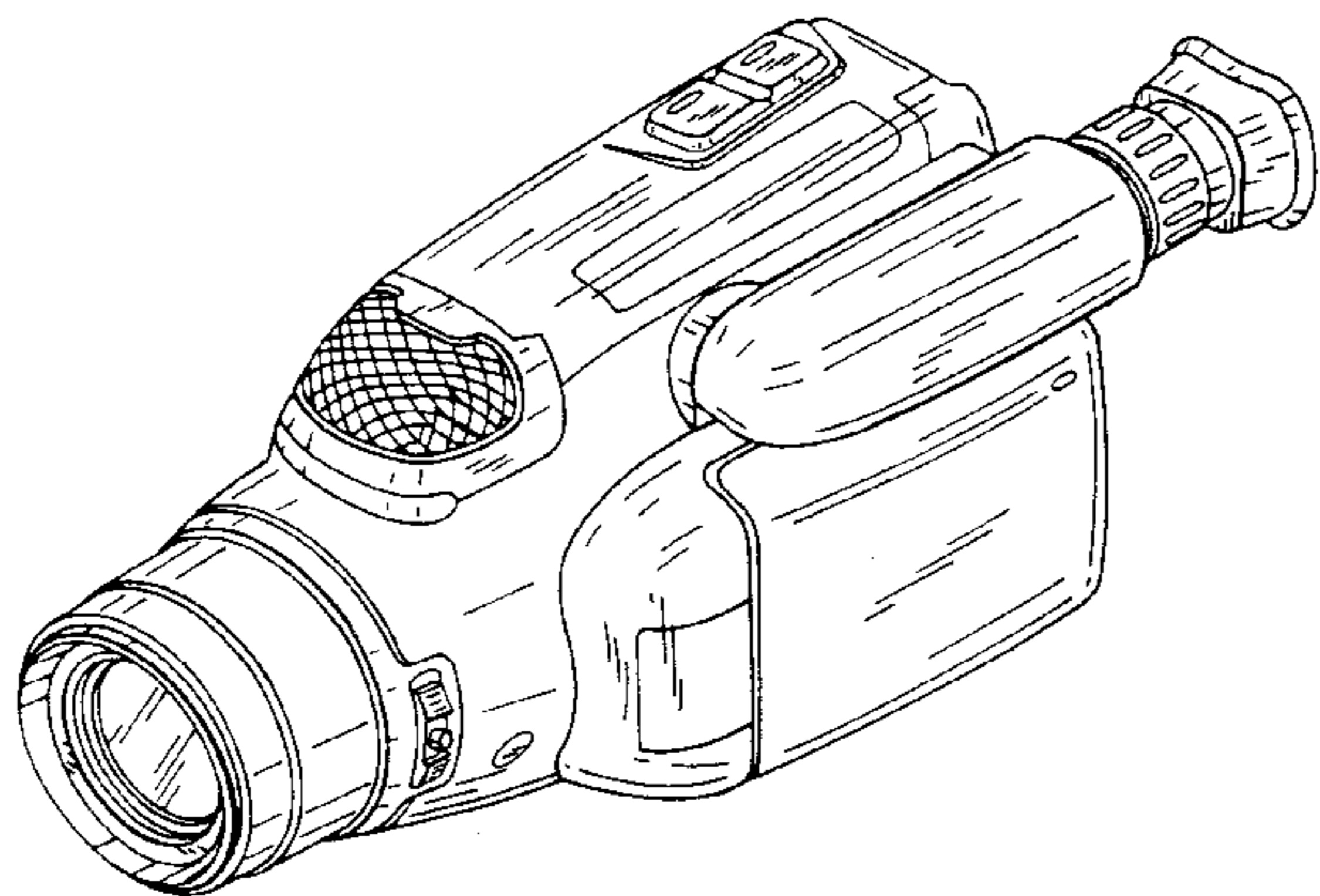


FIG. 2

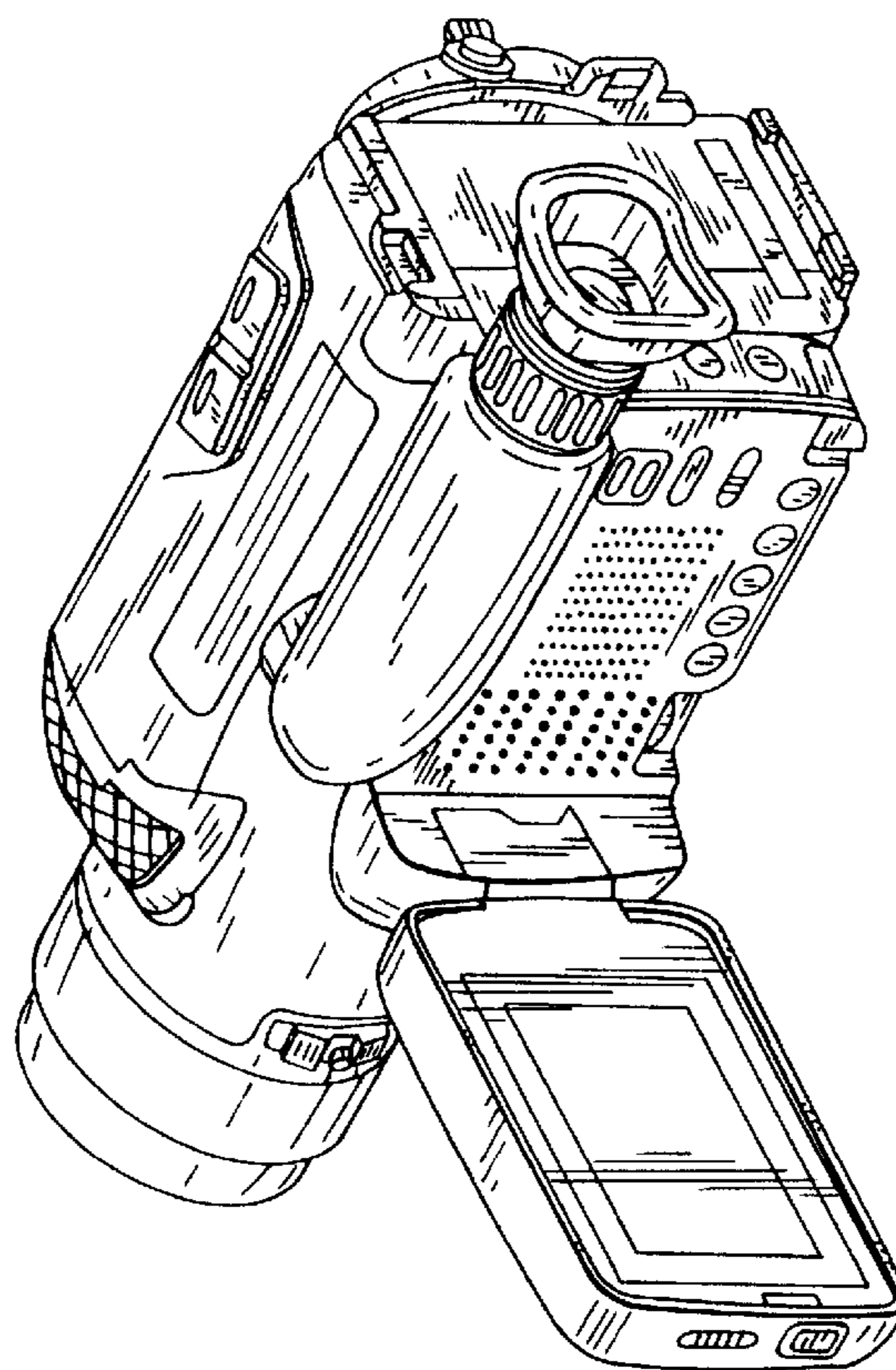


FIG. 1

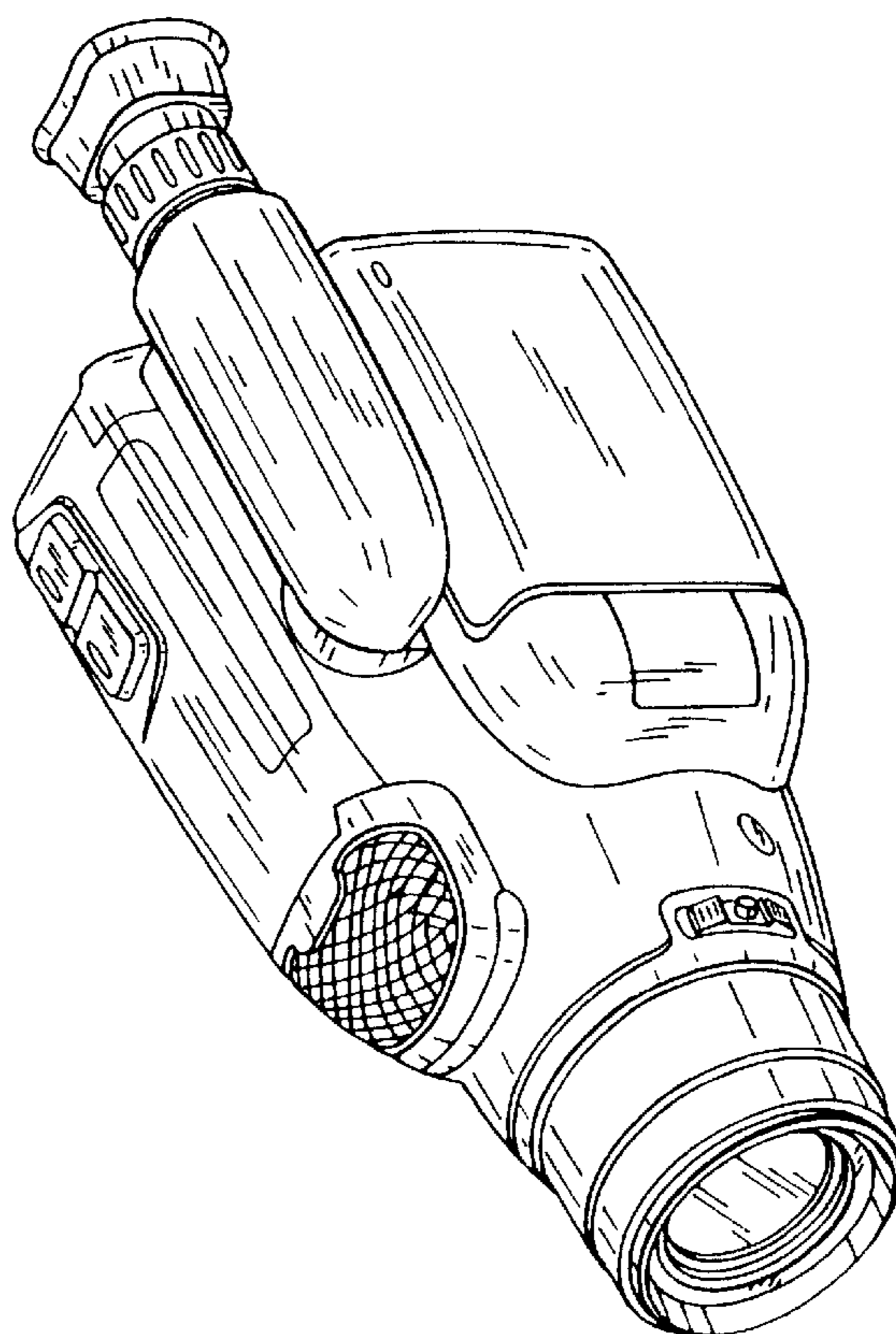


FIG. 3

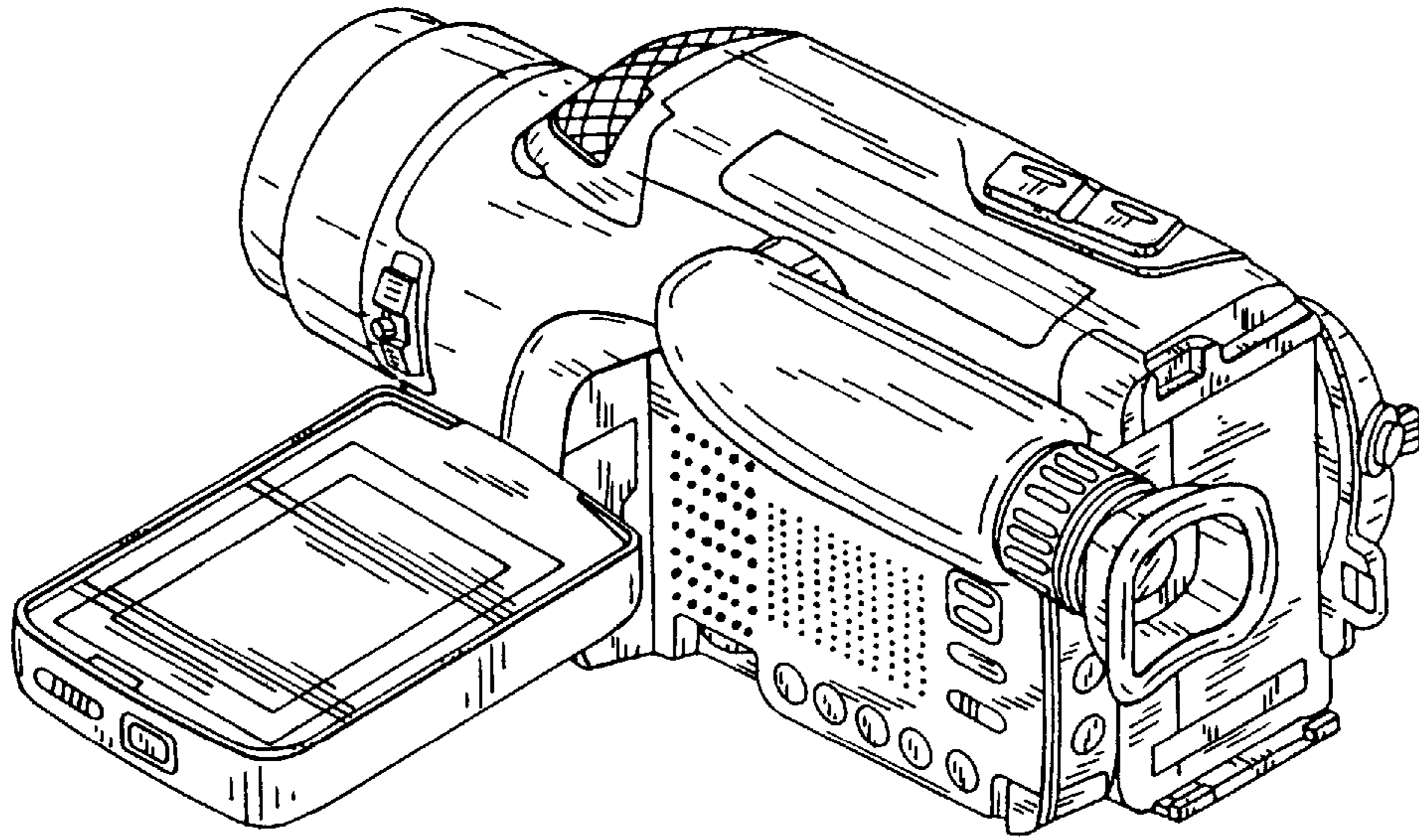


FIG. 4

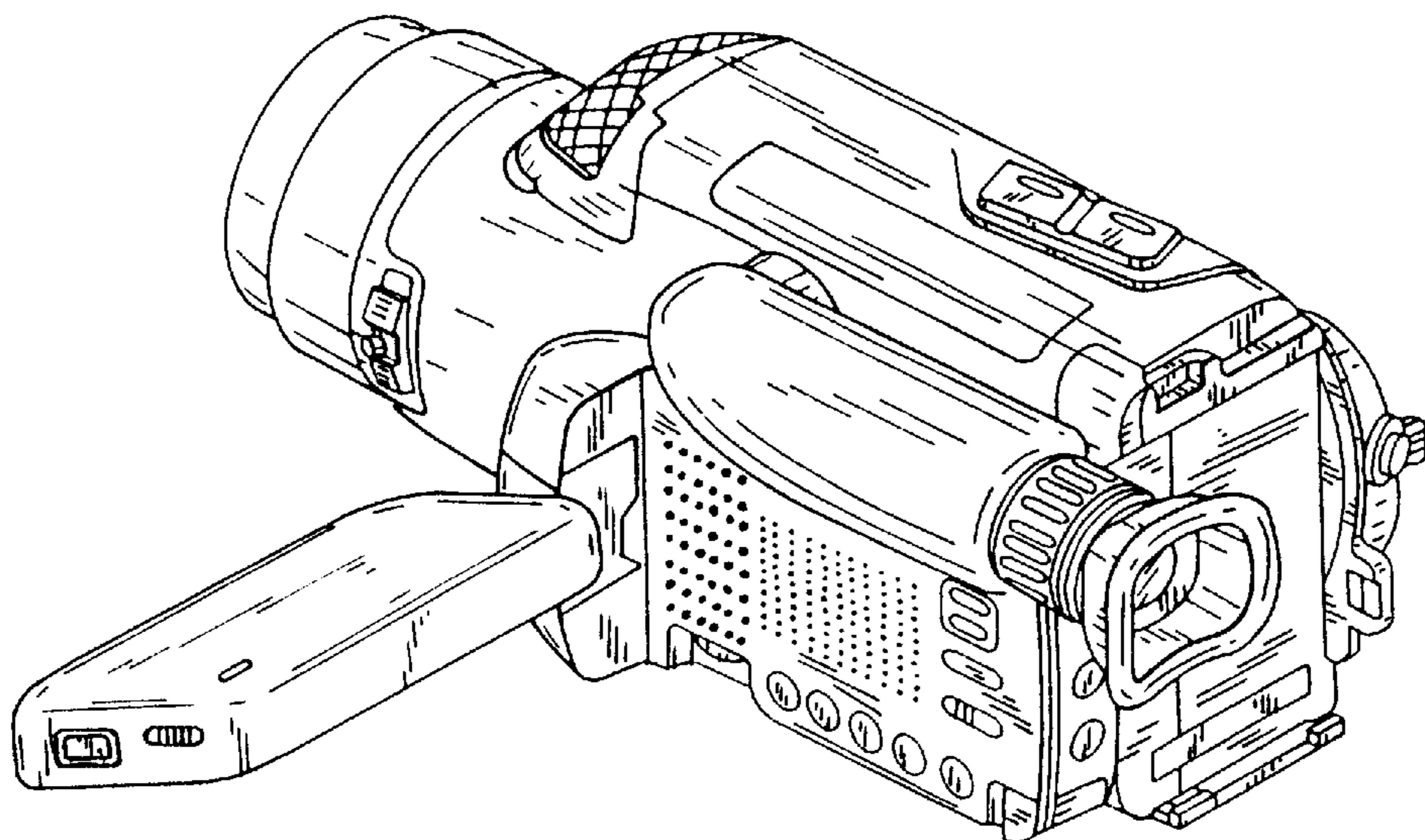


FIG. 5

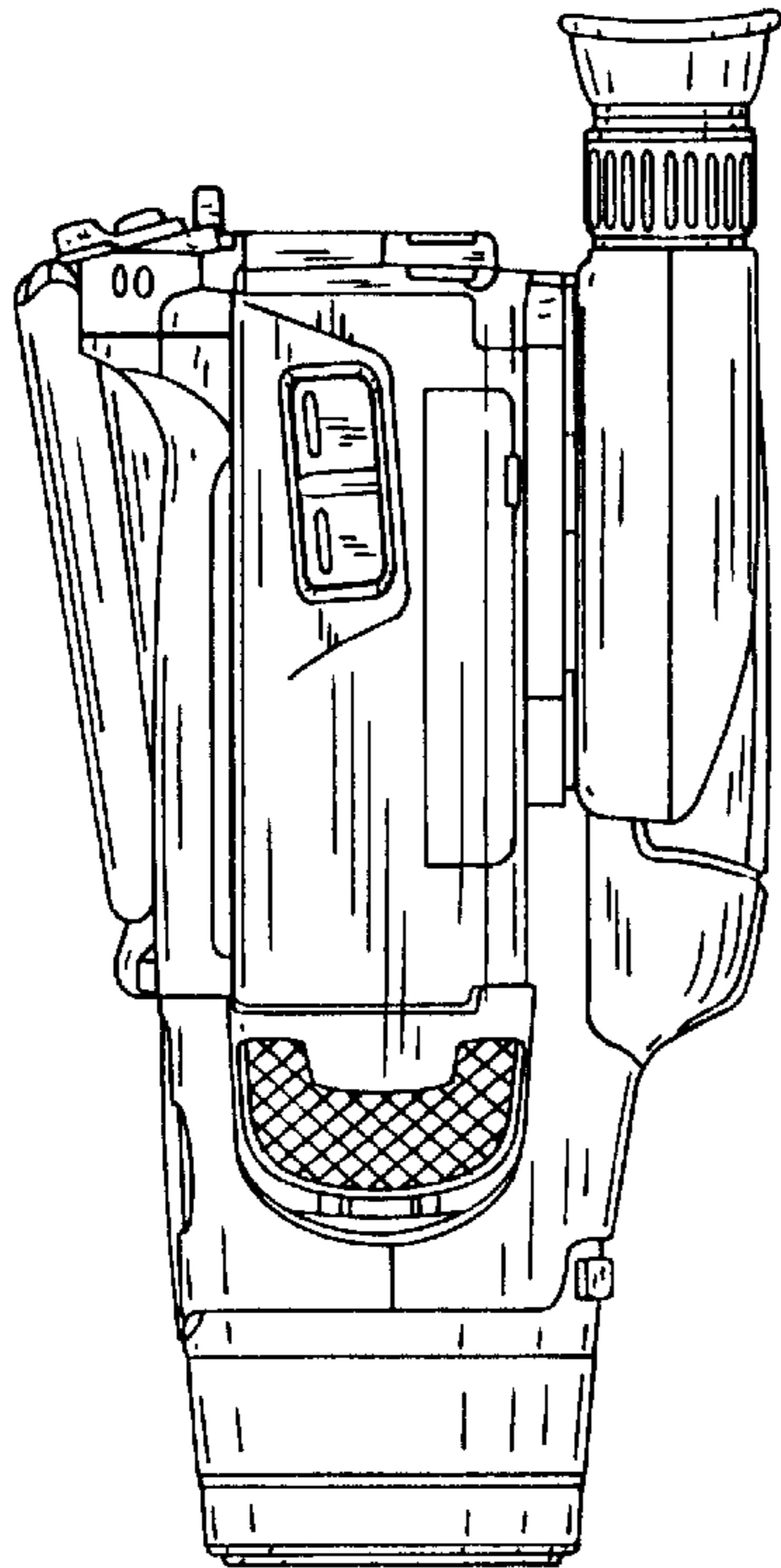


FIG. 6

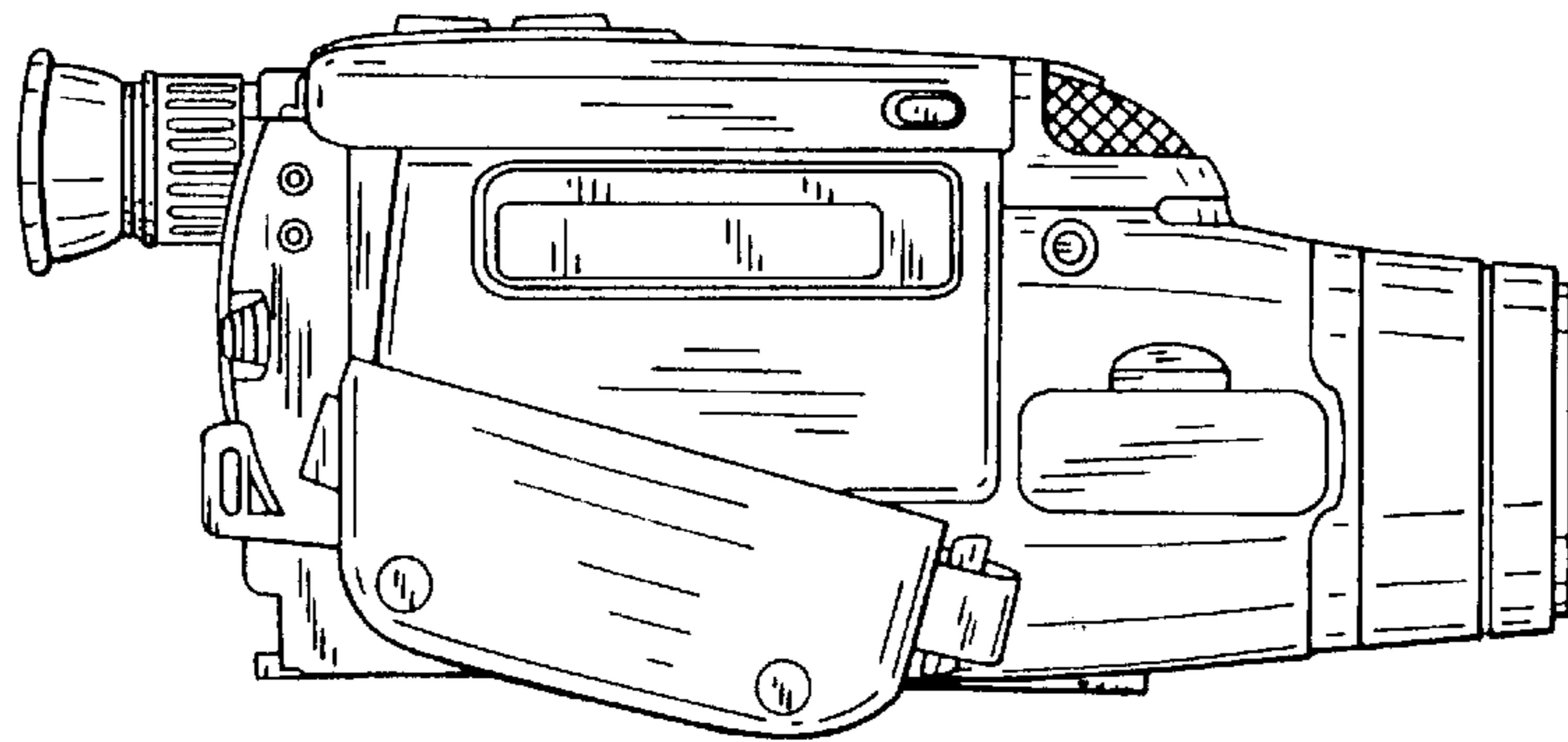


FIG. 7

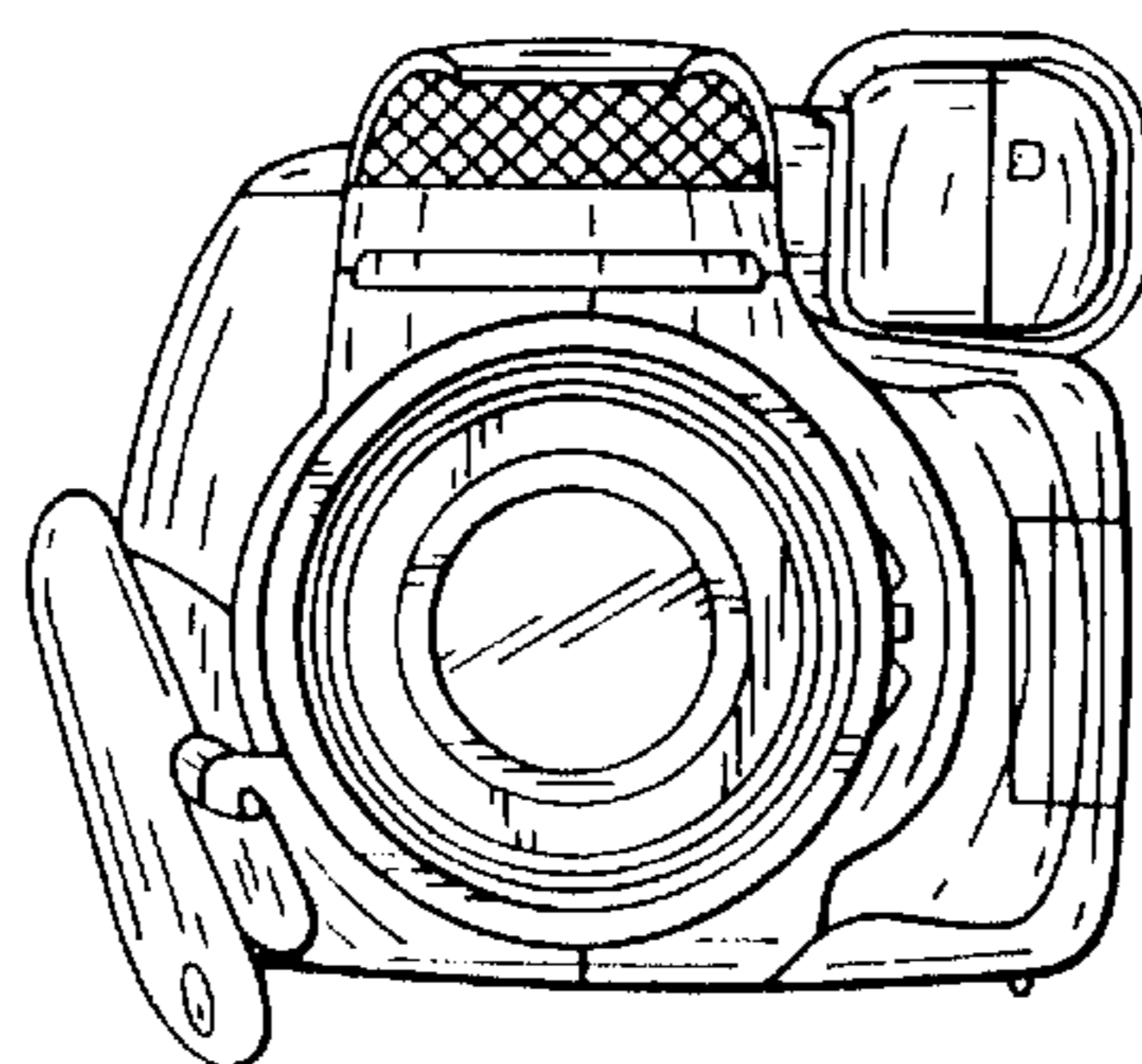


FIG. 8

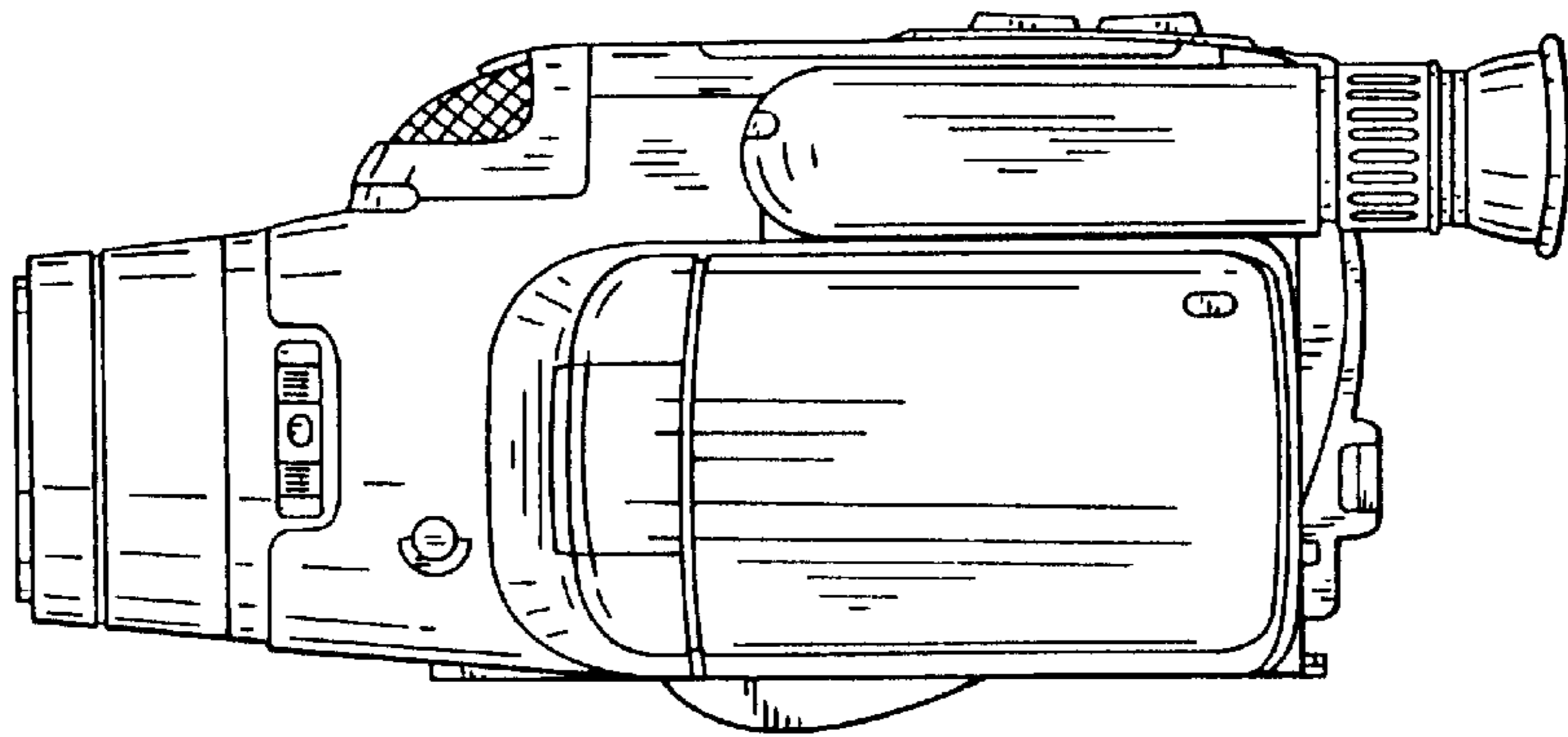


FIG. 9

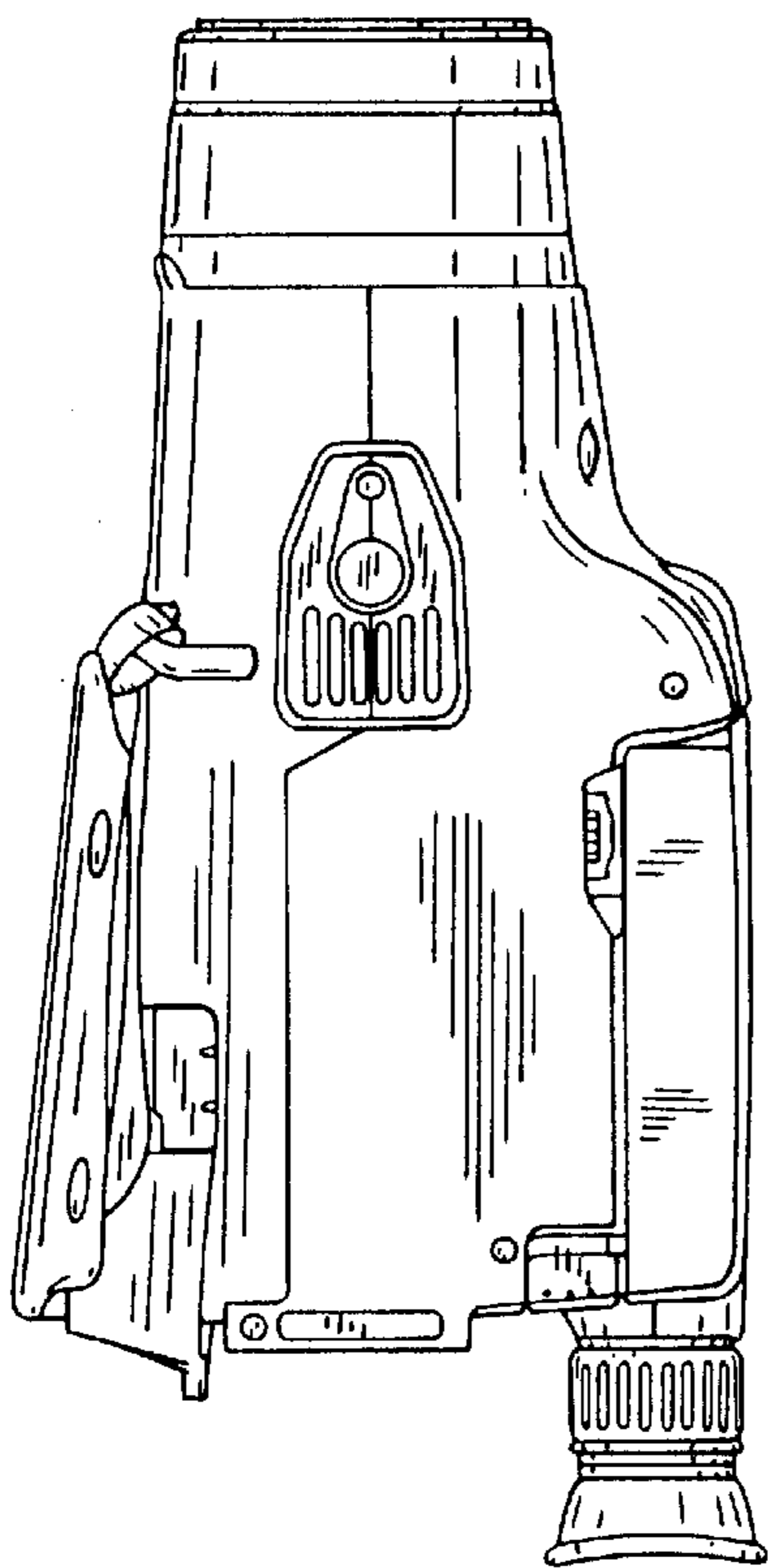


FIG. 10

