



US00D399224S

United States Patent [19]
Maynard

[11] **Patent Number: Des. 399,224**

[45] **Date of Patent: **Oct. 6, 1998**

[54] **SPENT OIL CONTAINER**

4,632,268 12/1986 Melzi et al. 220/1 C
5,503,246 4/1996 Raboin et al. 184/1.5

[75] Inventor: **Walter P. Maynard**, Pompano Beach, Fla.

Primary Examiner—Antoine Duval Davis
Attorney, Agent, or Firm—Hodgson, Russ, Andrews, Woods & Goodyear, LLP

[73] Assignee: **Stride-Sealbest, Inc.**, Ellicottville, N.Y.

[**] Term: **14 Years**

[57] **CLAIM**

[21] Appl. No.: **70,906**

The ornamental design for a spent oil container, as shown and described.

[22] Filed: **May 1, 1997**

DESCRIPTION

[51] **LOC (6) Cl.** **15-09**

[52] **U.S. Cl.** **D15/150**

[58] **Field of Search** D15/150-152;
206/223; 220/1 C; 141/98, 330, 331, 332,
339; 184/106

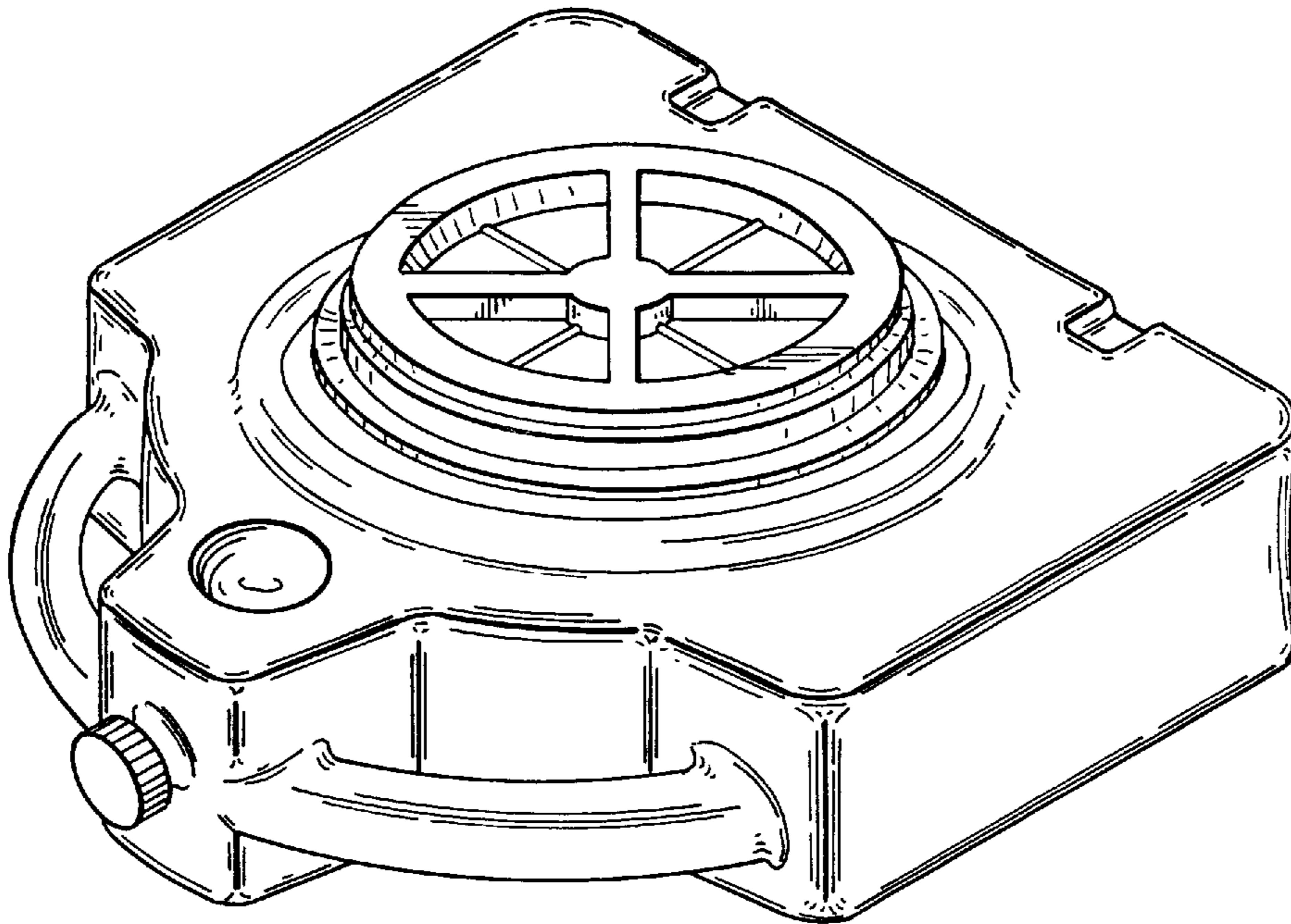
FIG. 1 is a top perspective view of a spent oil container showing my new design;
FIG. 2 is a top plan view thereof;
FIG. 3 is a left side elevational view thereof;
FIG. 4 is a bottom plan view thereof;
FIG. 5 is a right side elevational view thereof;
FIG. 6 is a front elevational view thereof; and,
FIG. 7 is a rear elevational view thereof; and,
FIG. 8 is a bottom perspective view thereof.

[56] **References Cited**

U.S. PATENT DOCUMENTS

D. 344,740 3/1994 Poirier D15/150
D. 353,151 12/1994 Poirier D15/150
4,513,865 4/1985 Melzi et al. 206/508

1 Claim, 3 Drawing Sheets



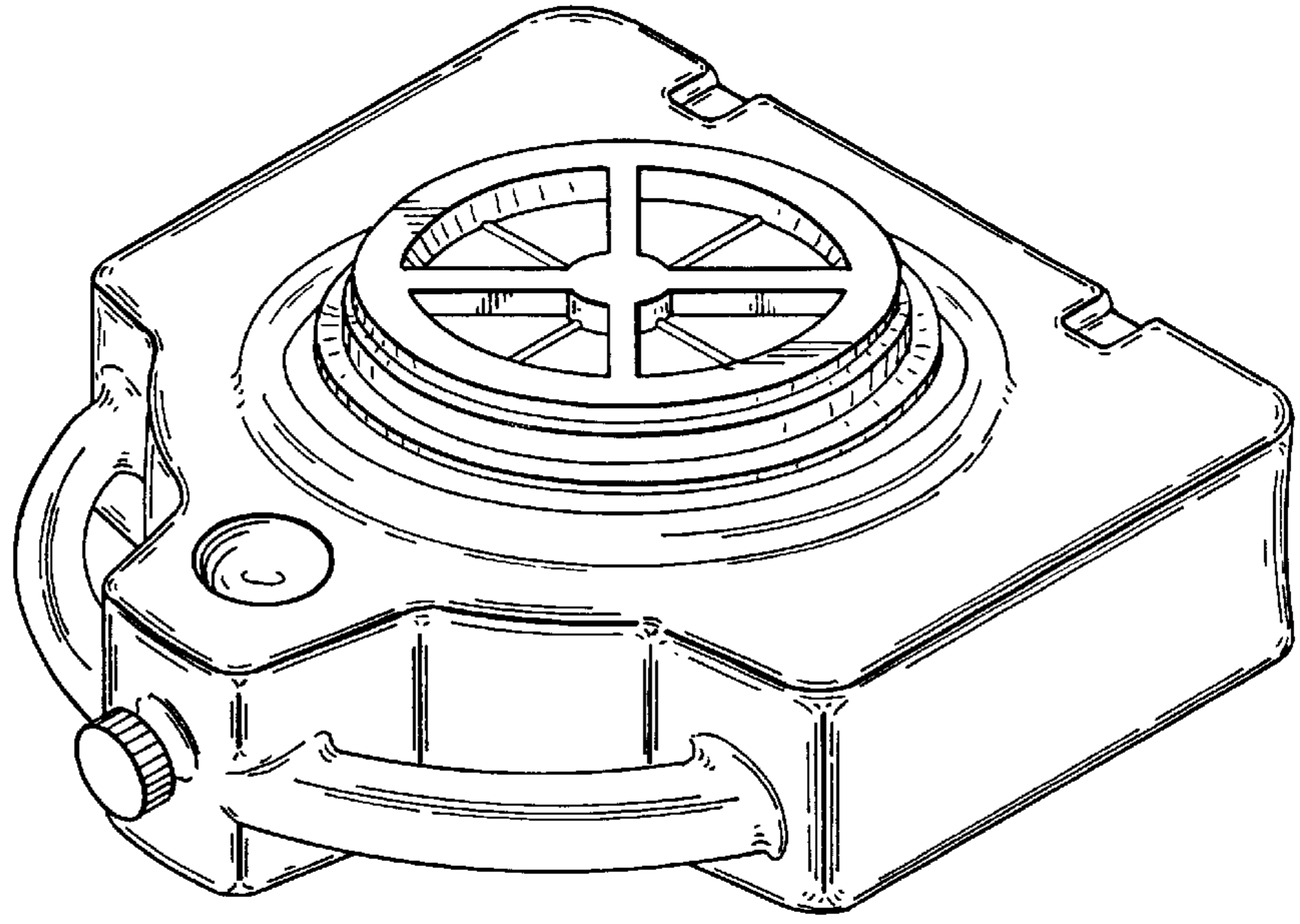


FIG. 1

FIG. 2

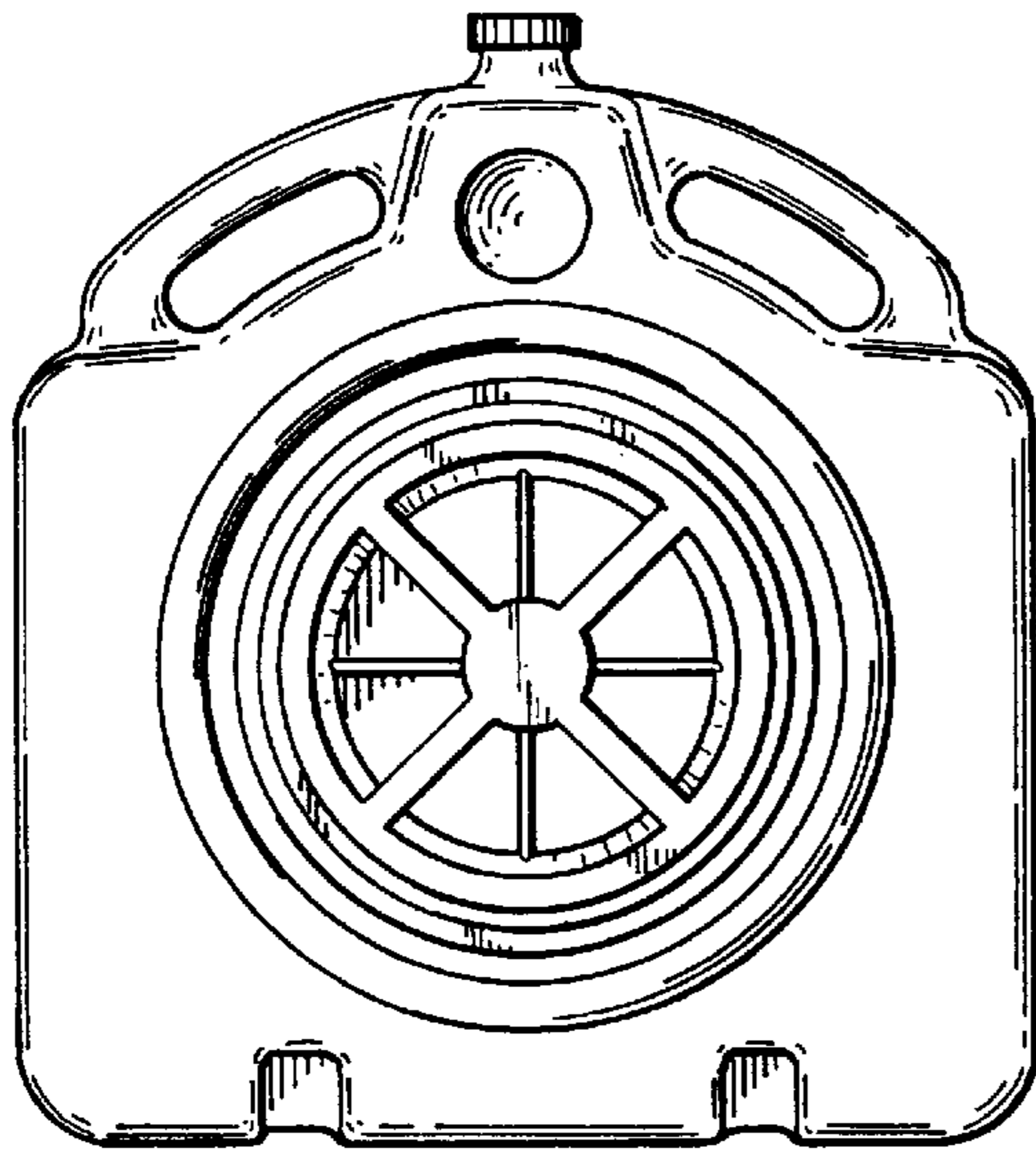
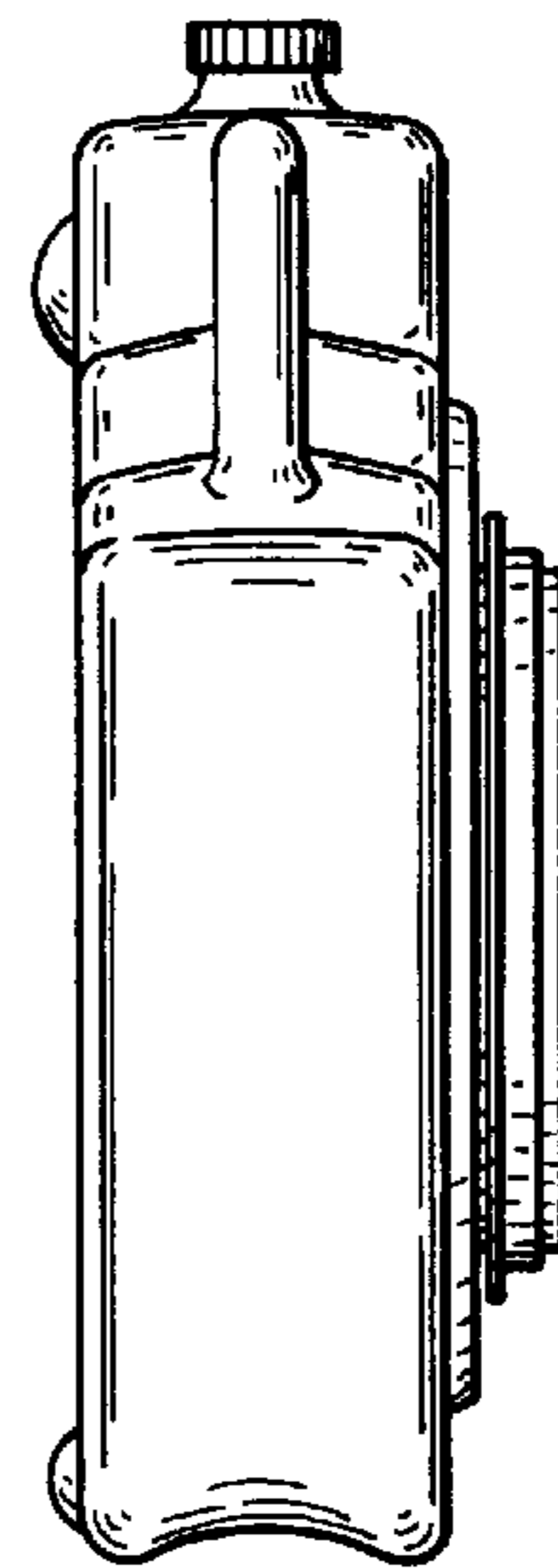


FIG. 3



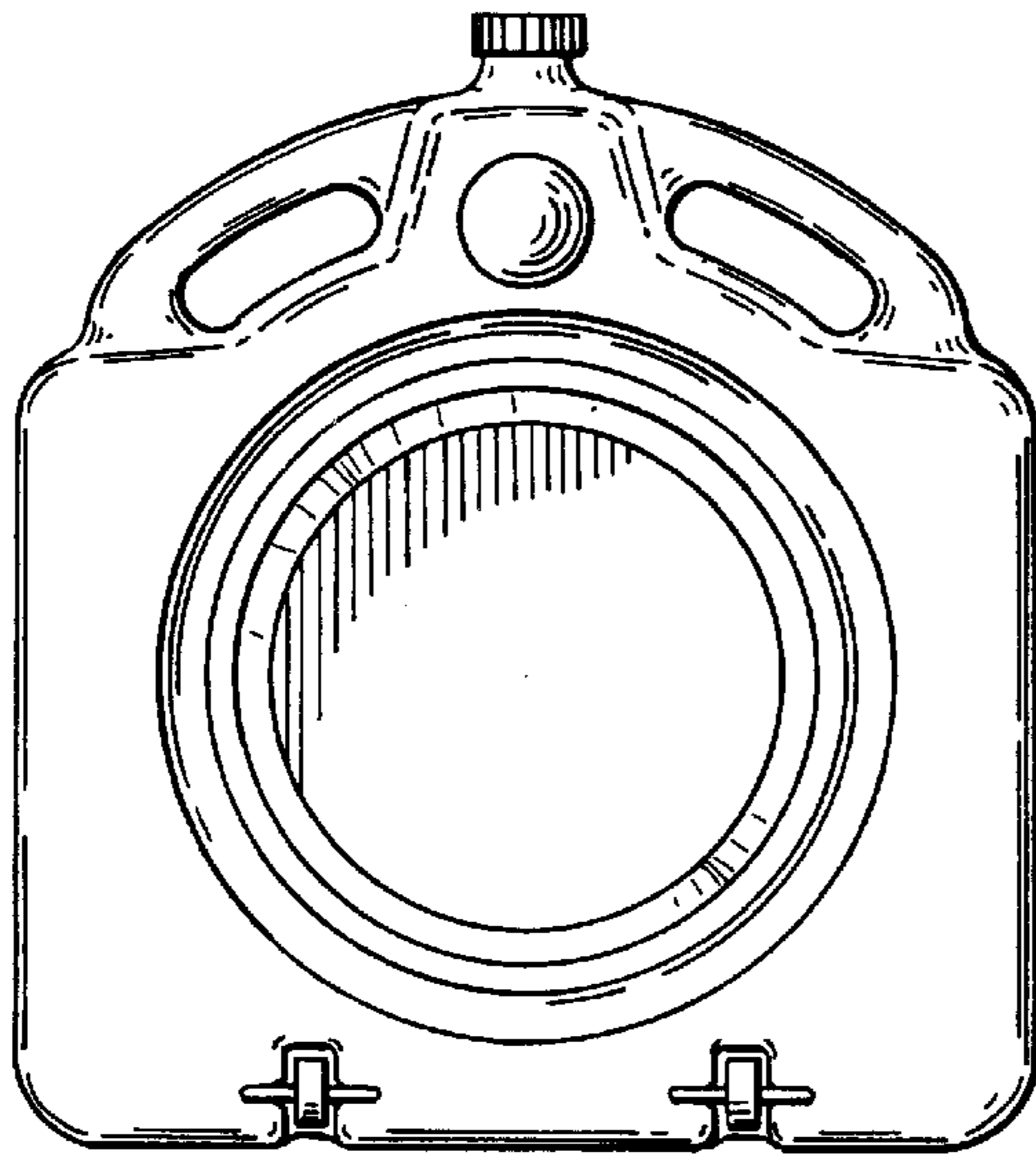


FIG. 4

FIG. 5

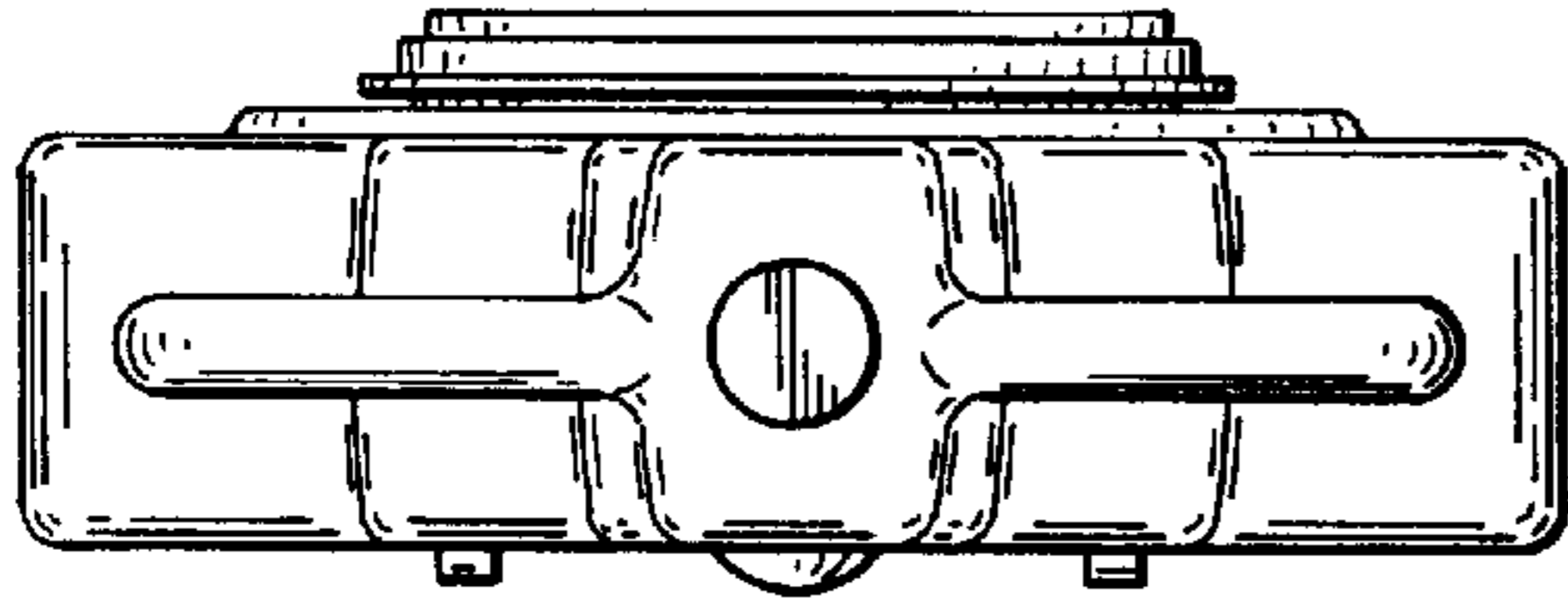
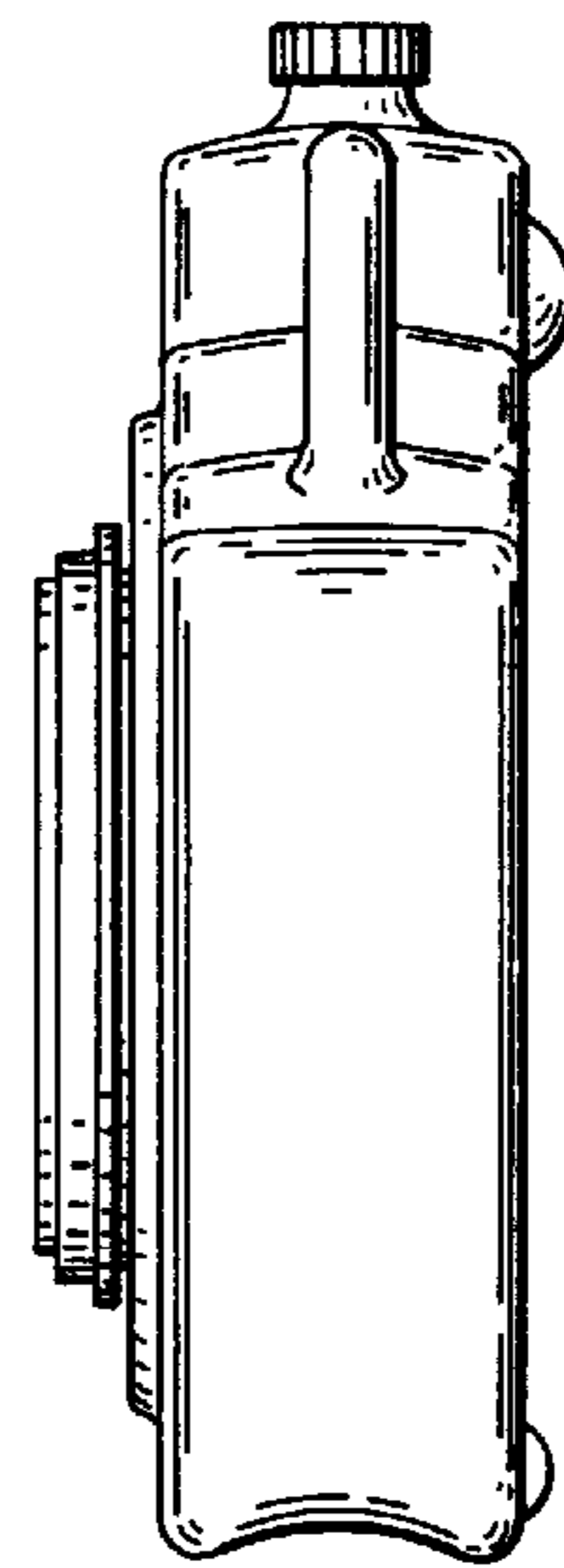


FIG. 6

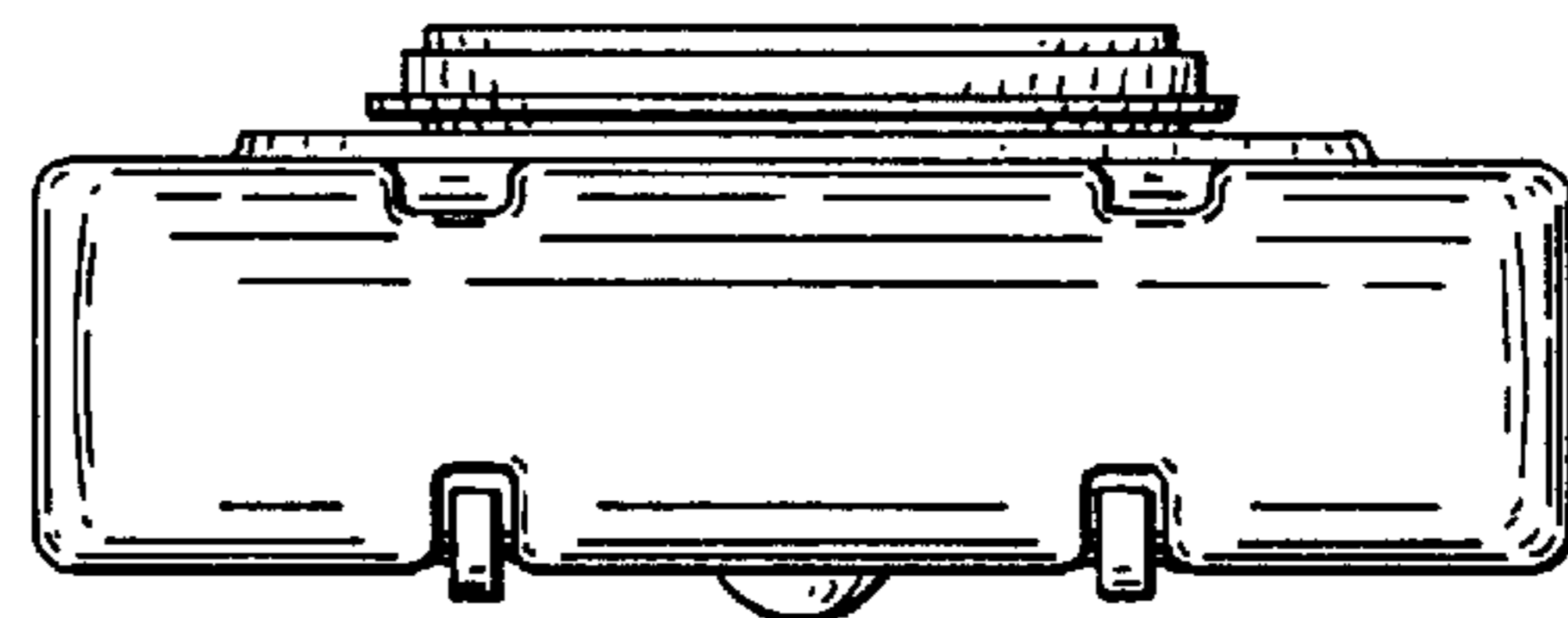


FIG. 7

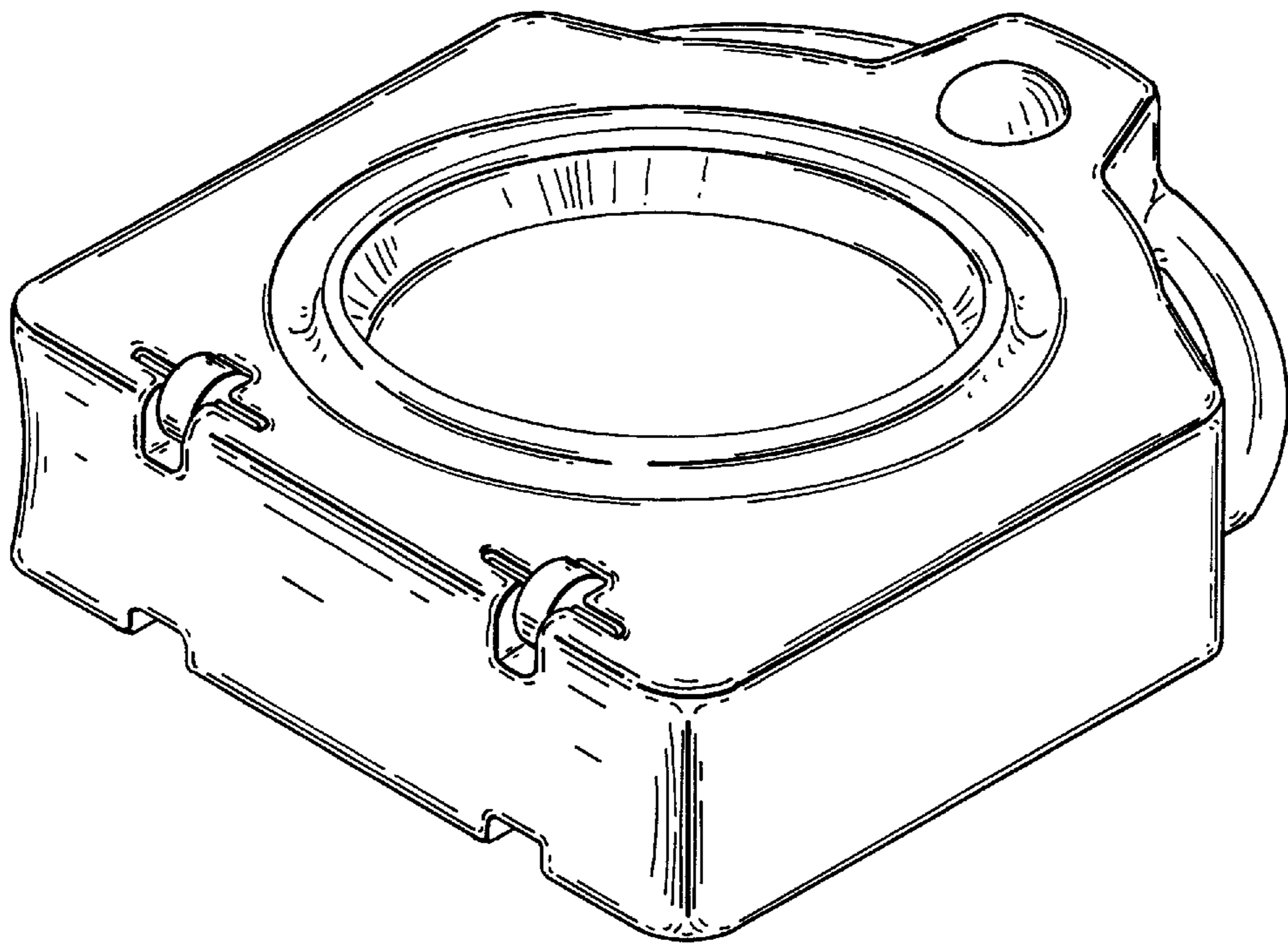


FIG. 8