



US00D399221S

United States Patent [19] Schwartz

[11] **Patent Number: Des. 399,221**

[45] **Date of Patent: **Oct. 6, 1998**

[54] **COVER FOR A MACHINE TOOL**

[75] Inventor: **Larry Gregory Schwartz**, Charlotte, N.C.

[73] Assignee: **Okuma America Corporation**, Charlotte, N.C.

[**] Term: **14 Years**

[21] Appl. No.: **71,233**

[22] Filed: **May 23, 1997**

[51] **LOC (6) Cl. 15-09**

[52] **U.S. Cl. D15/141; D15/130**

[58] **Field of Search D15/130, 141; 82/117-135, 143, 152, 170, 1.11; 29/27 C, 37 A, 39; 364/474.11, 474.14, 474.23, 474.28, 474.31, 474.35, 180**

[56] **References Cited**

U.S. PATENT DOCUMENTS

D. 117,403	10/1939	Miller .	
D. 252,575	8/1979	Simmons .	
D. 265,204	6/1982	Turchan et al. .	
D. 265,319	7/1982	Watanabe et al. .	
D. 270,449	9/1983	Myers et al. .	
D. 275,860	10/1984	Brown et al. .	
D. 281,167	10/1985	Myers et al. .	
D. 338,476	8/1993	Greenall et al. .	
D. 344,963	3/1994	Lawhorn .	
D. 368,917	4/1996	Isshiki et al.	D15/130
2,198,436	4/1940	Hoffman .	
2,534,488	12/1950	Weber .	
4,141,278	2/1979	Lieser .	
4,576,069	3/1986	Bazuin .	
4,685,361	8/1987	Myers .	
4,753,084	6/1988	Aoki .	
5,367,754	11/1994	Sheehan et al. .	
5,392,501	2/1995	Sonnek .	

Attorney, Agent, or Firm—Bell Seltzer Intellectual Property Law Group of Alston & Bird LLP

[57] **CLAIM**

The ornamental design for a cover for a machine tool, as shown and described.

DESCRIPTION

FIG. 1 is a front perspective view of a cover for a machine tool showing a first embodiment of my new design; FIG. 2 is a front elevational view thereof; FIG. 3 is a left side elevational view thereof; FIG. 4 is a right side elevational view thereof; FIG. 5 is a top plan view thereof; FIG. 6 is a rear perspective view thereof; FIG. 7 is a front perspective view of a cover for a machine tool showing a second embodiment of my new design; FIG. 8 is a left side elevational view thereof; FIG. 9 is a right side elevational view thereof; FIG. 10 is a rear perspective view thereof; FIG. 11 is a front perspective view of a housing for a machine tool showing a third embodiment of my new design; FIG. 12 is a front elevational view thereof; FIG. 13 is a top plan view thereof; and, FIG. 14 is a rear perspective view thereof.

The broken lines shown herein are for illustrative purposes only and form no part of the claimed design.

The front elevational view of the second embodiment shown in FIG. 7 is like that of the first embodiment shown in FIG. 2.

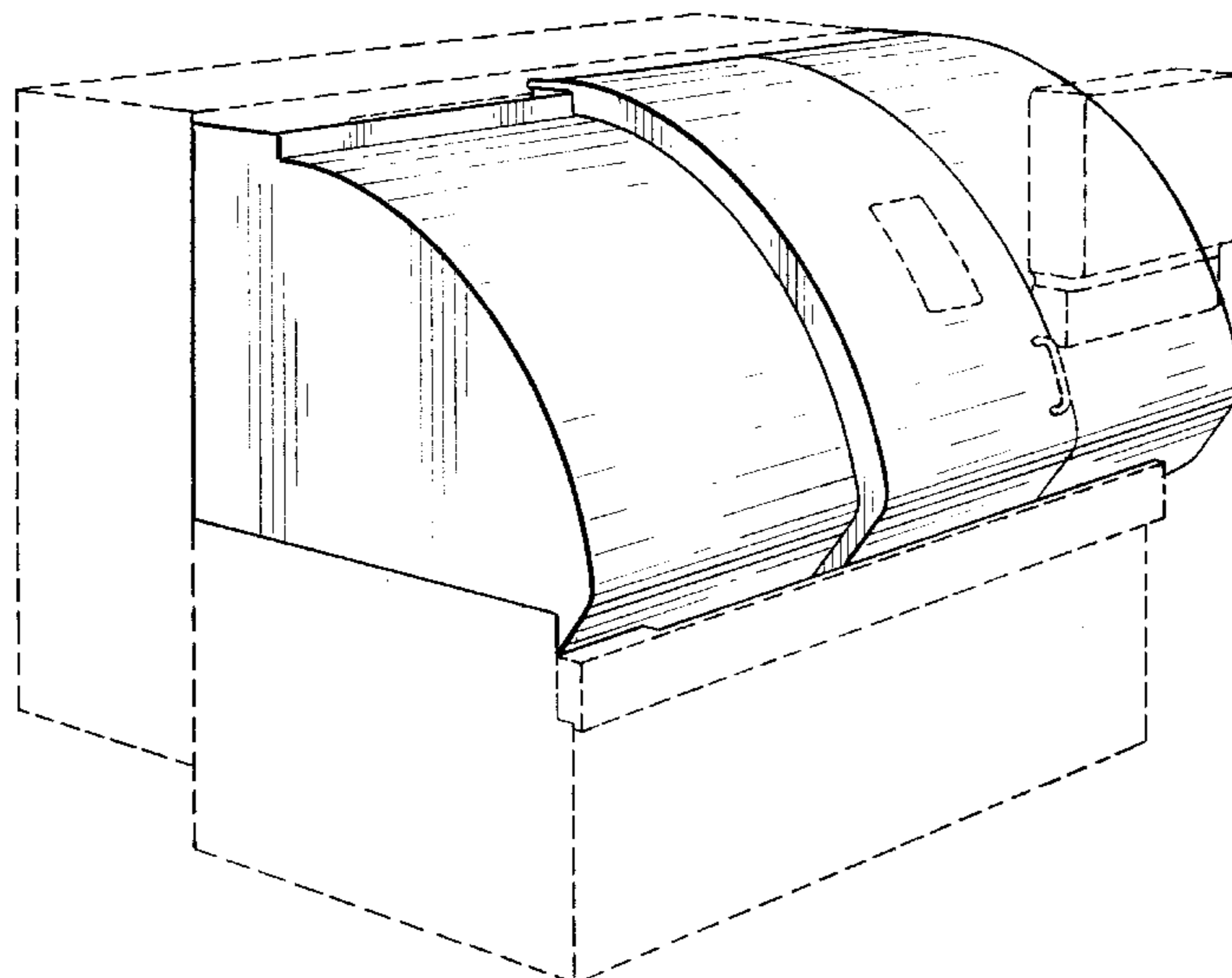
The top plan view of the second embodiment shown in FIG. 7 is like that of the first embodiment shown in FIG. 5.

The left and right side elevational views of the third embodiment shown in FIG. 11 are like that of the second embodiment shown in FIGS. 8 and 9, respectively.

The rear perspective view of the third embodiment shown in FIG. 11 are like that of the second embodiment shown in FIG. 10.

Primary Examiner—Antoine Duval Davis

1 Claim, 12 Drawing Sheets



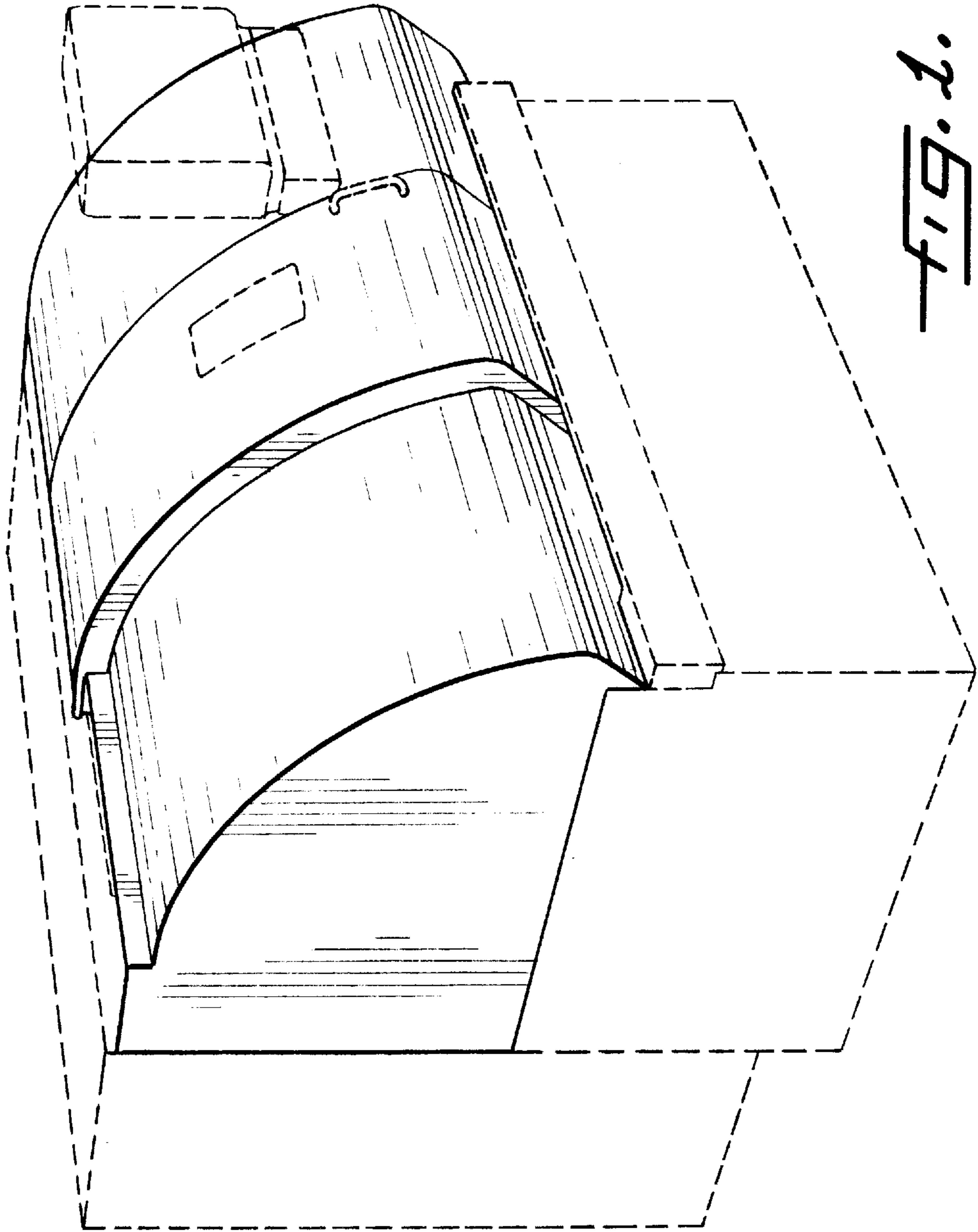


FIG. 1

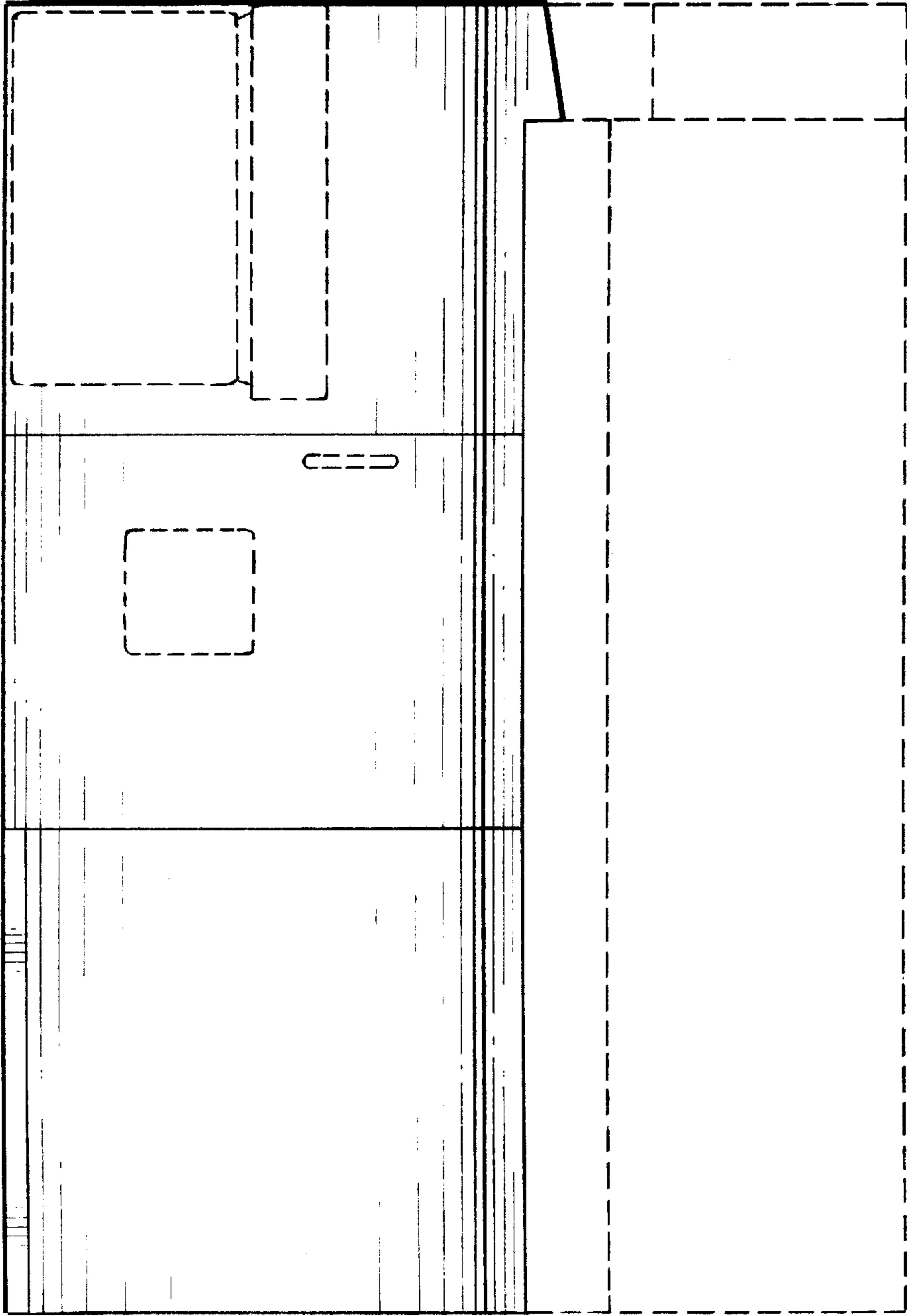
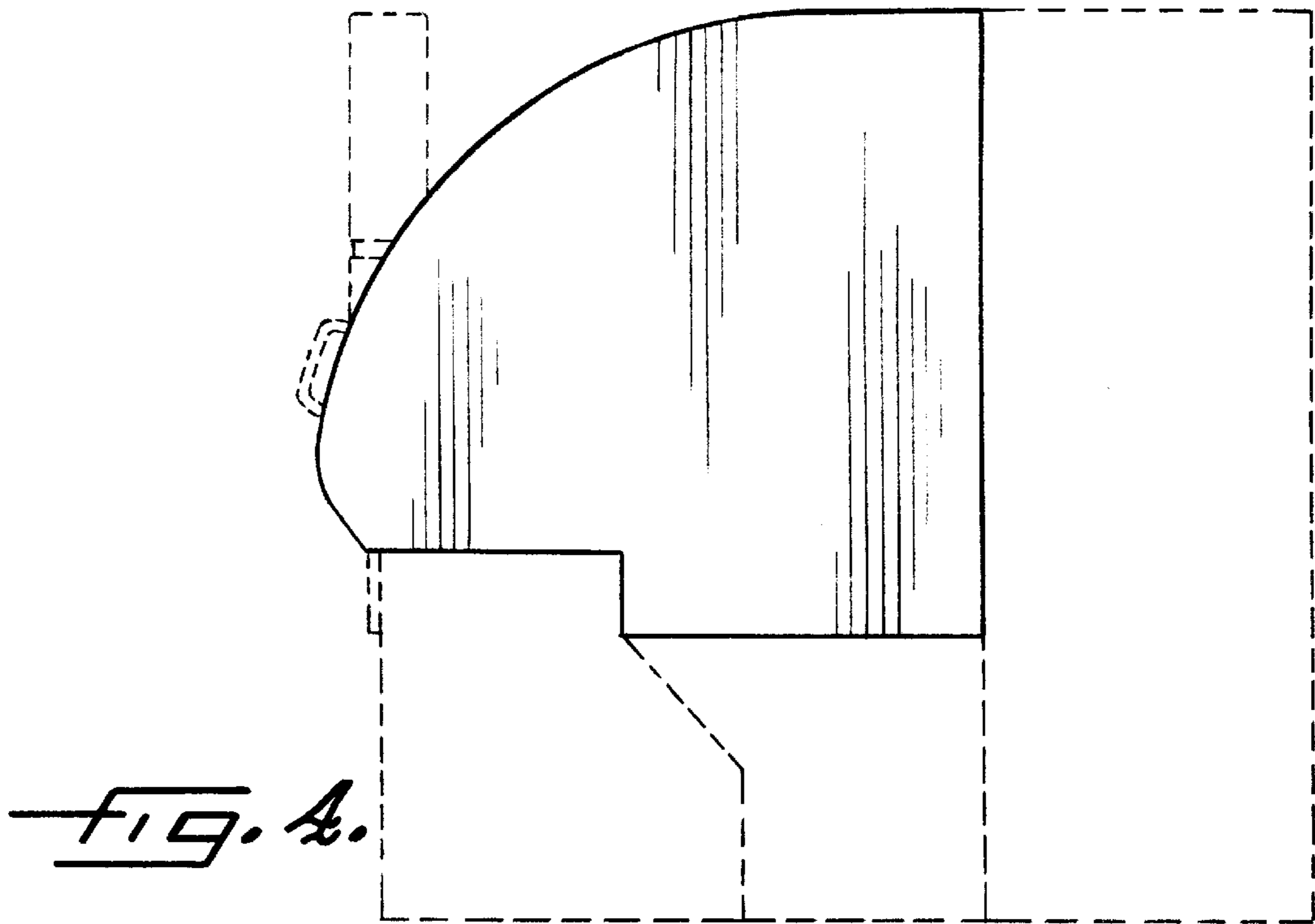
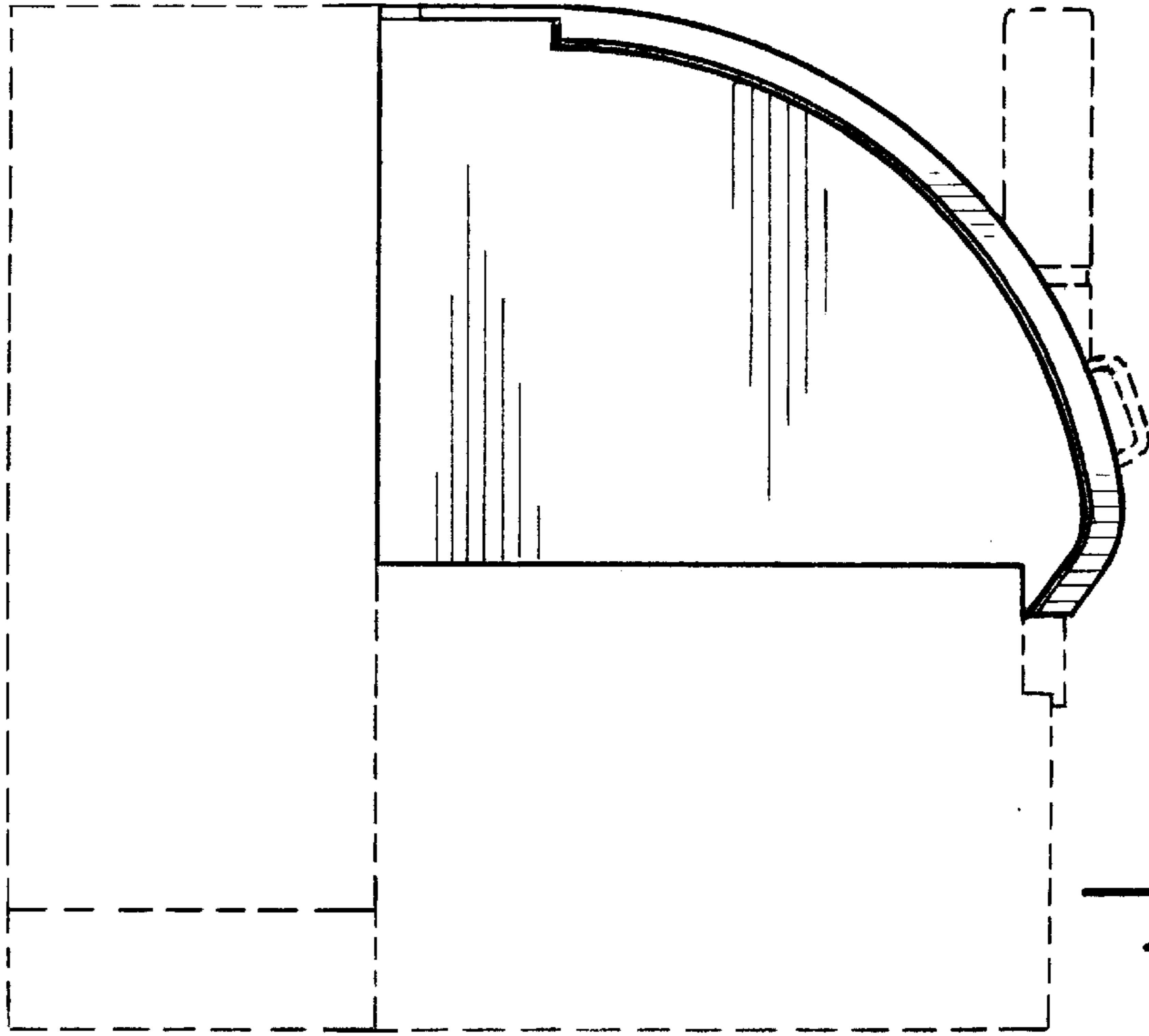


FIG. 2.



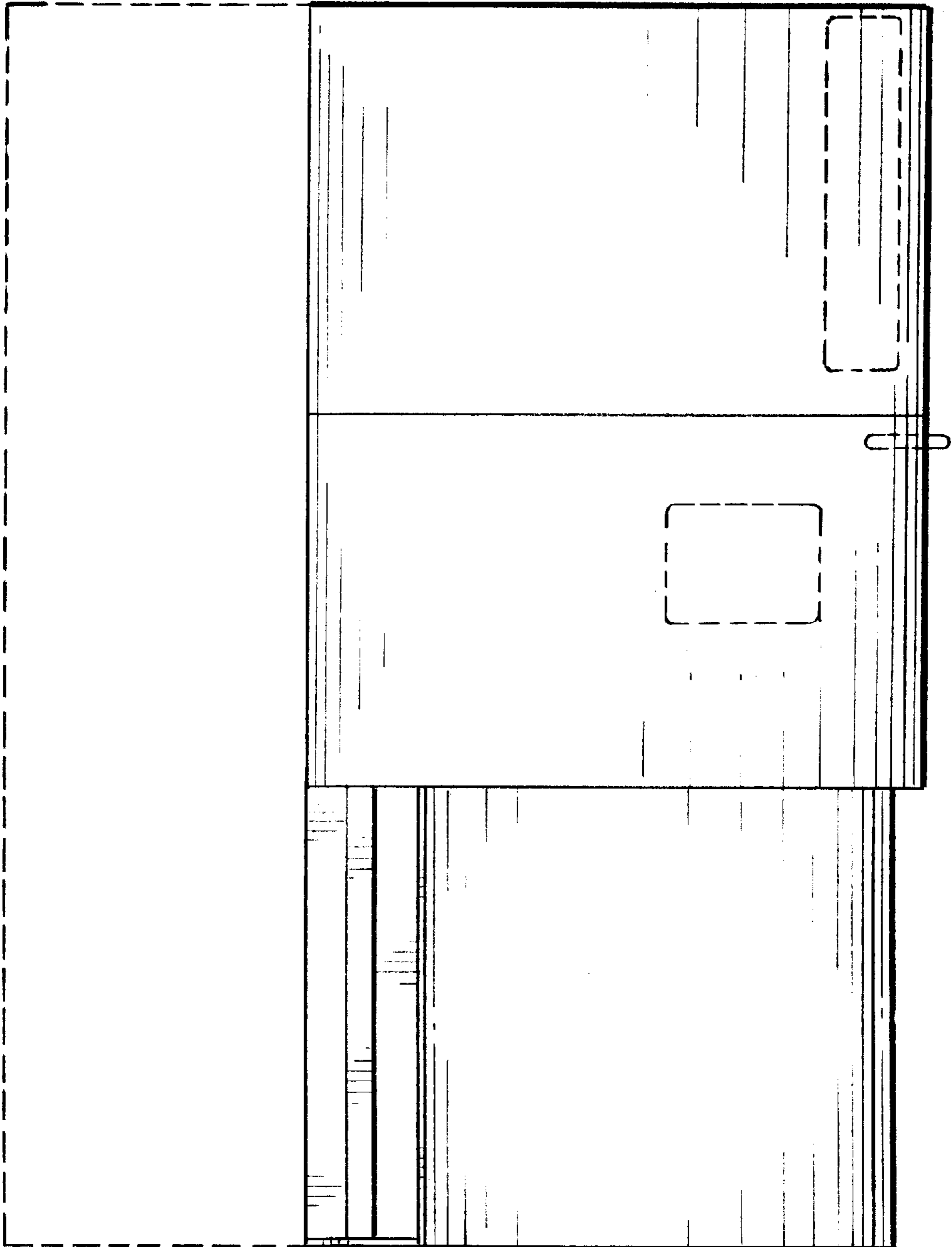
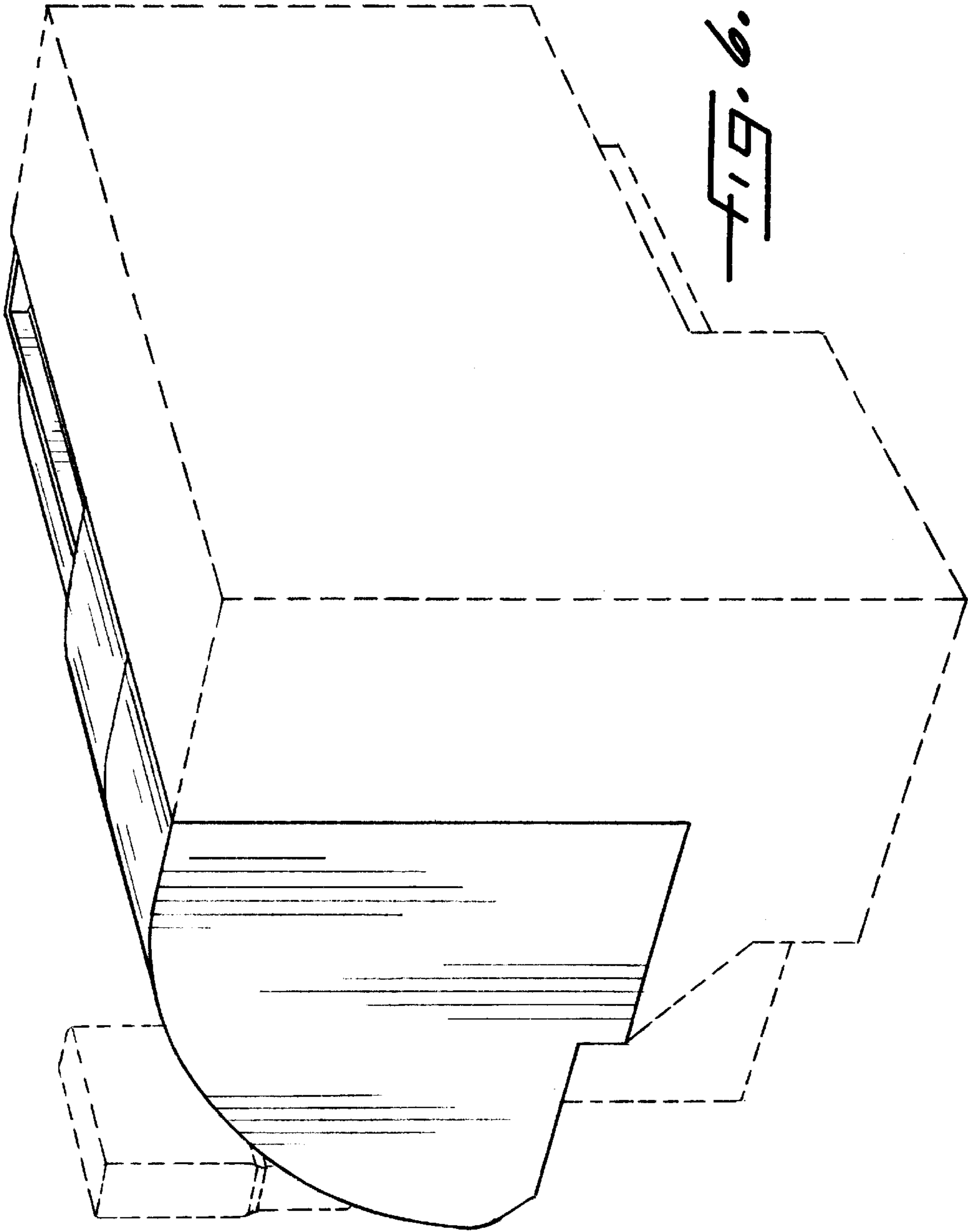


FIG. 5.



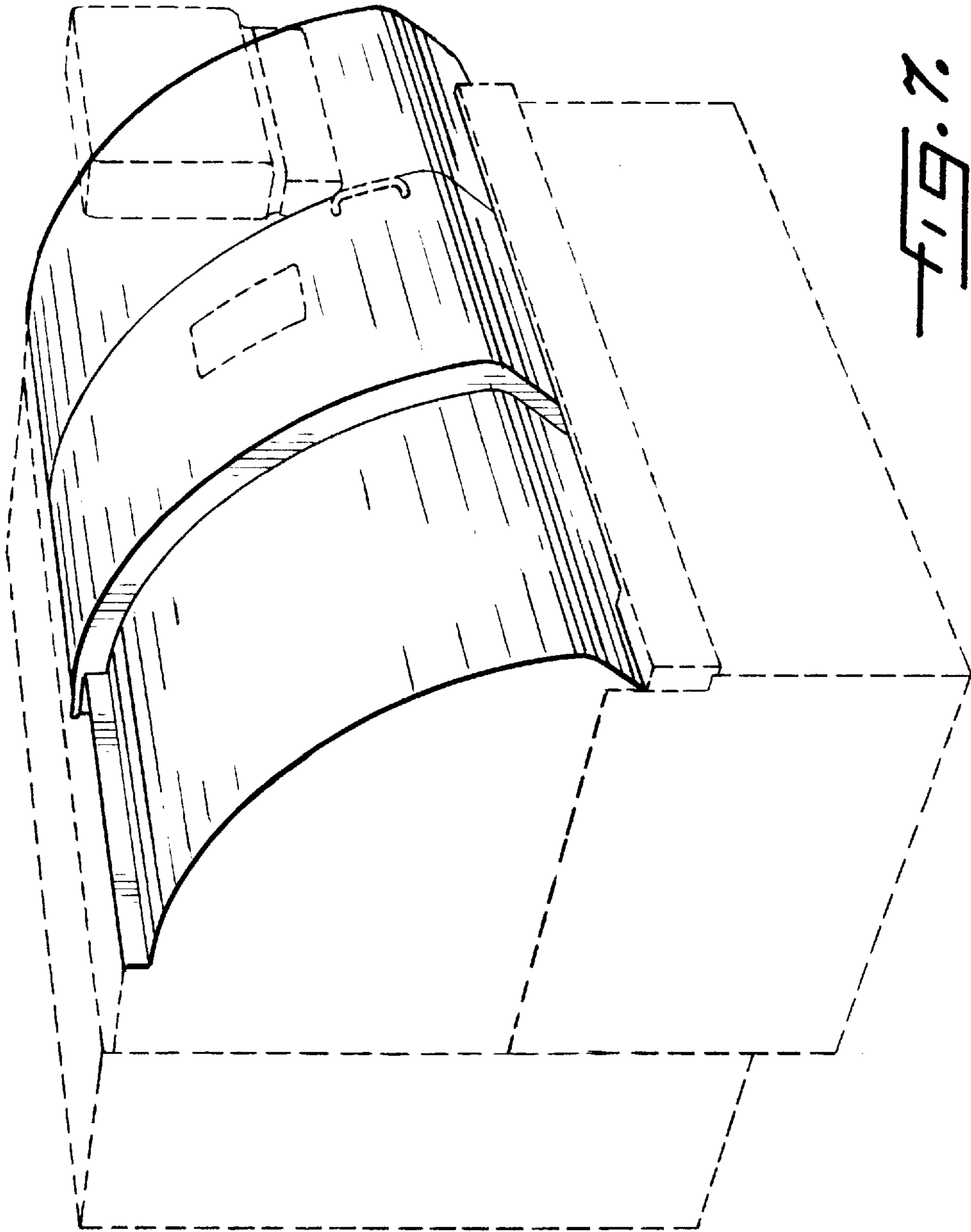


FIG. 7

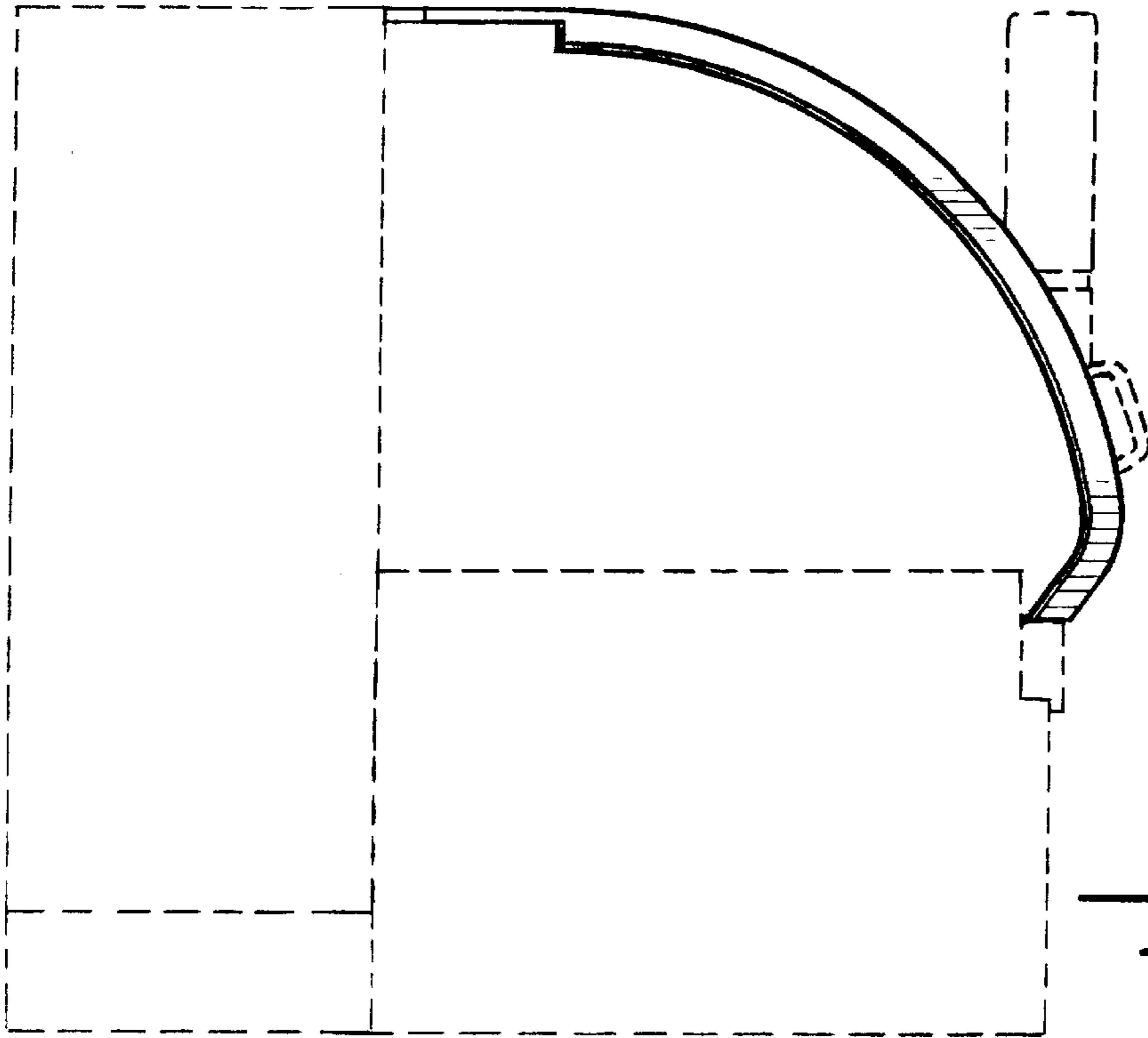


FIG. 8.

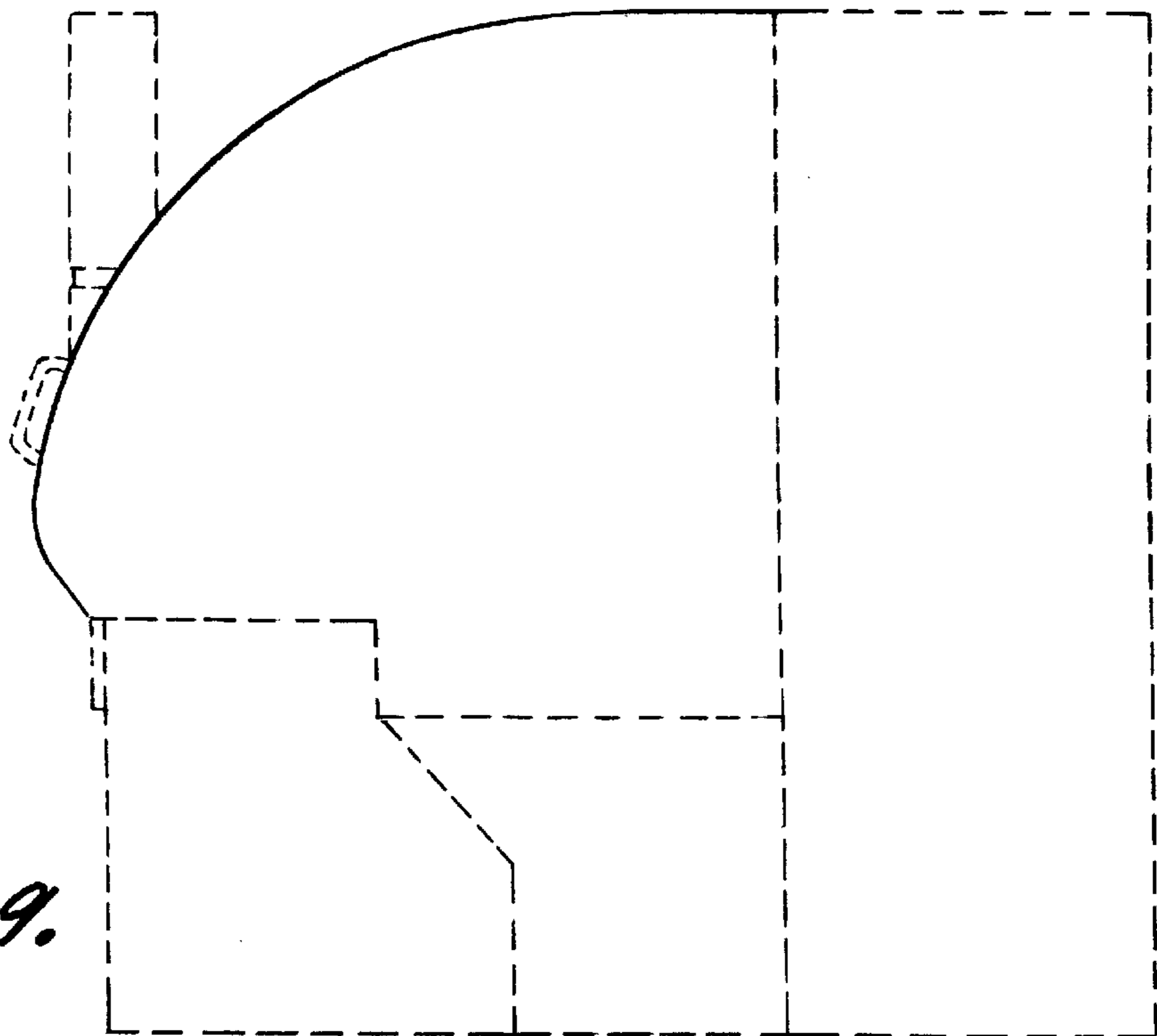
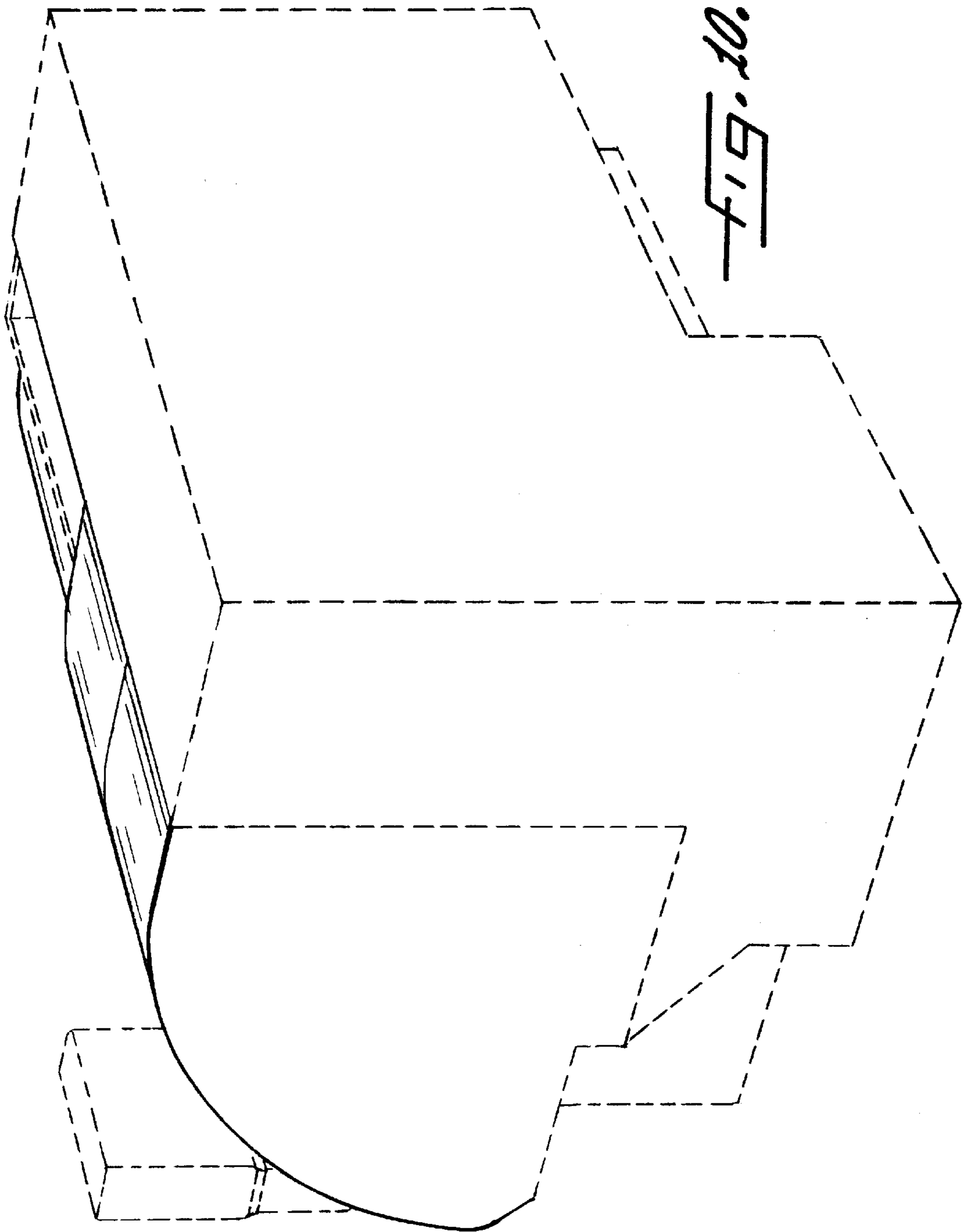


FIG. 9.



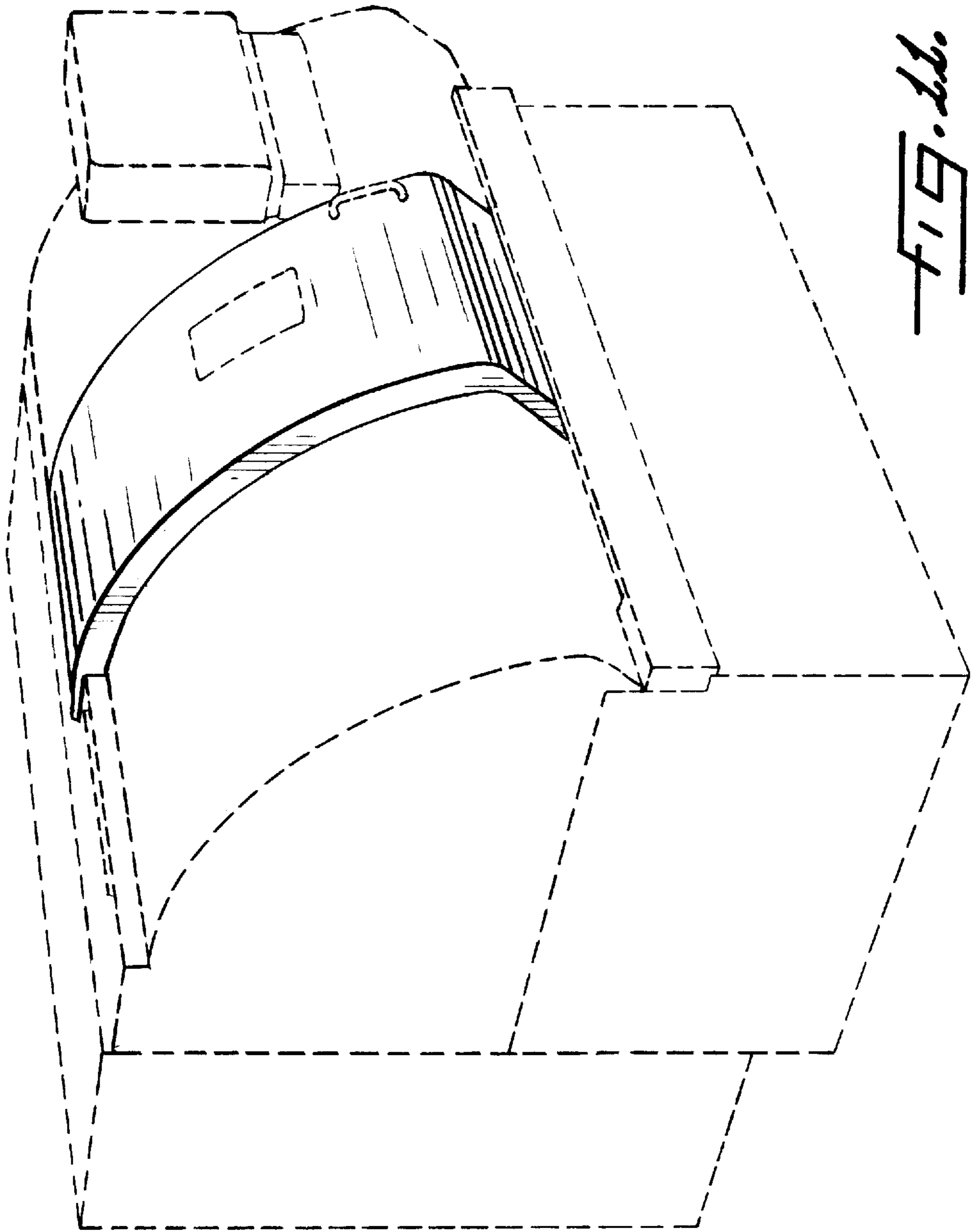


FIG. 11

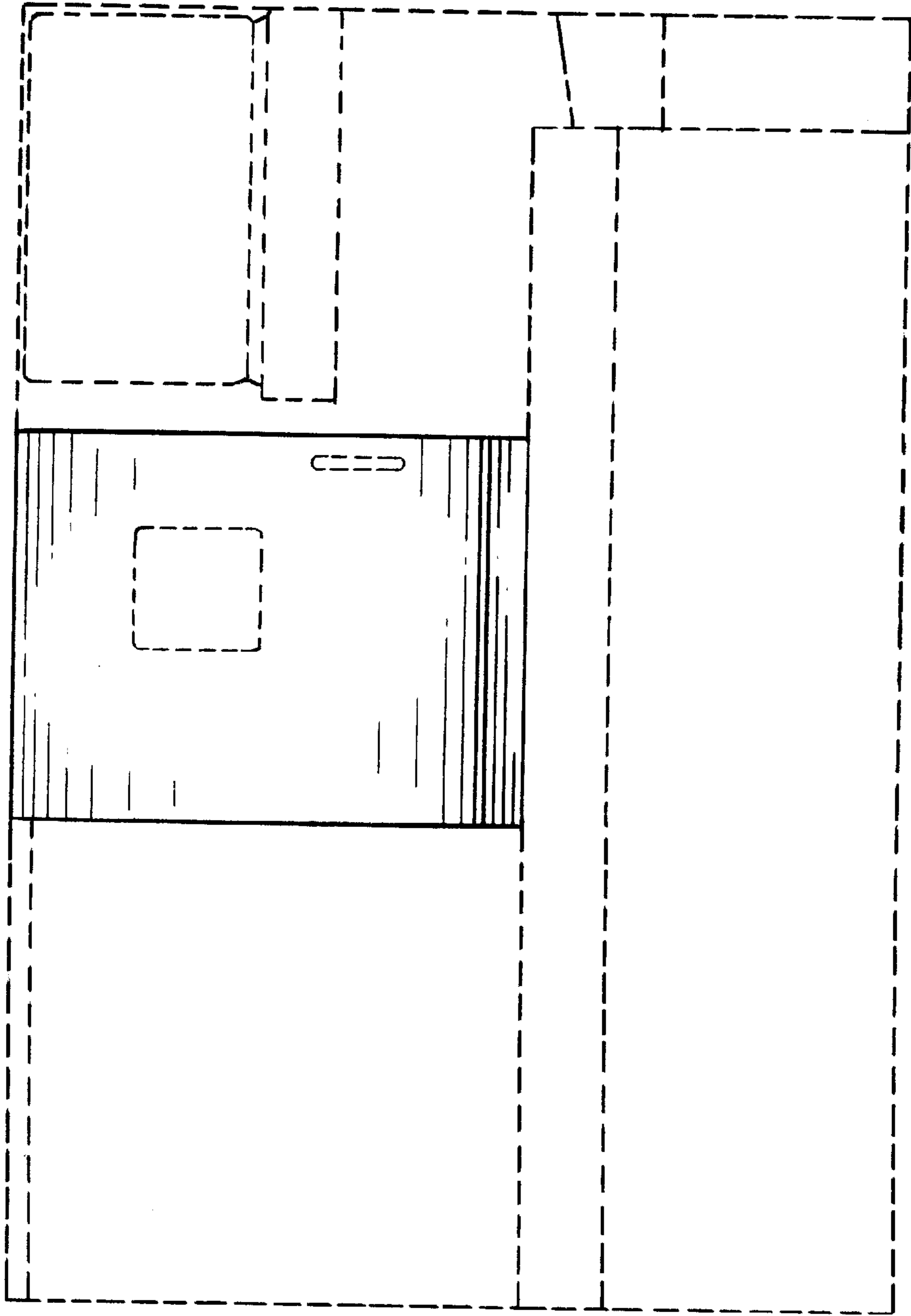


FIG. 12.

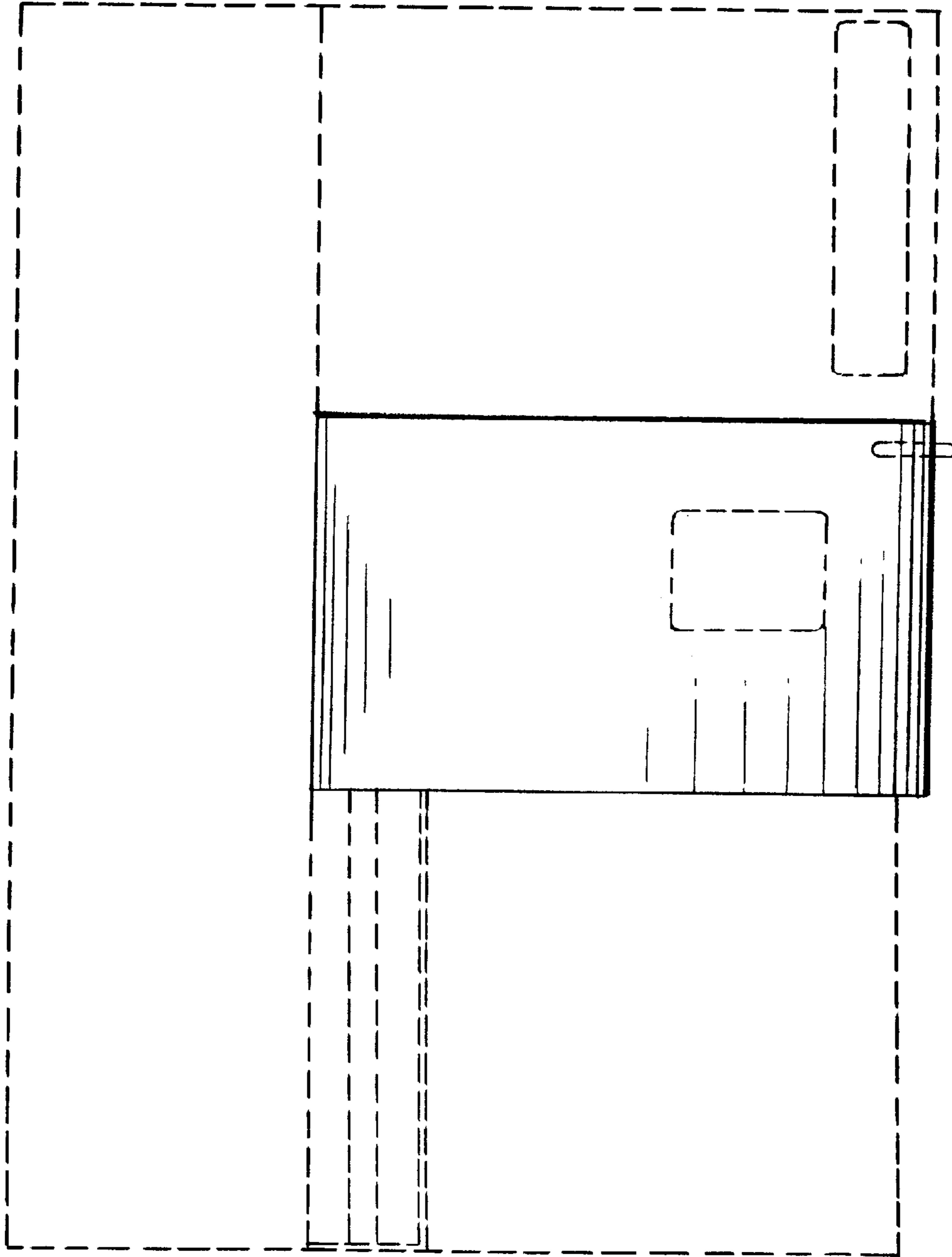


FIG. 13.

