



US00D399219S

United States Patent [19] Chang

[11] **Patent Number: Des. 399,219**

[45] **Date of Patent: **Oct. 6, 1998**

[54] **SAWING MACHINE**

[75] **Inventor: Chiu-Tsun Chang, Taichung, Taiwan**

[73] **Assignee: P & F Brother Industrial Corporation, Taichung, Taiwan**

[**] **Term: 14 Years**

[21] **Appl. No.: 75,425**

[22] **Filed: Aug. 18, 1997**

[51] **LOC (6) Cl. 15-09**

[52] **U.S. Cl. D15/133**

[58] **Field of Search D15/133; 83/468.3, 83/471.1, 471.2, 471.3, 471.4, 477, 581, 776-783**

D. 383,765	9/1997	Kani et al.	D15/133
D. 388,442	12/1997	Shibata et al.	D15/133
5,347,902	9/1994	Brickner et al.	83/468.3
5,370,025	12/1994	Itzov	83/471.3

Primary Examiner—Antoine Duval Davis
Attorney, Agent, or Firm—Brooks & Kushman P.C.

[57] CLAIM

The ornamental design for sawing machine, as shown and described.

DESCRIPTION

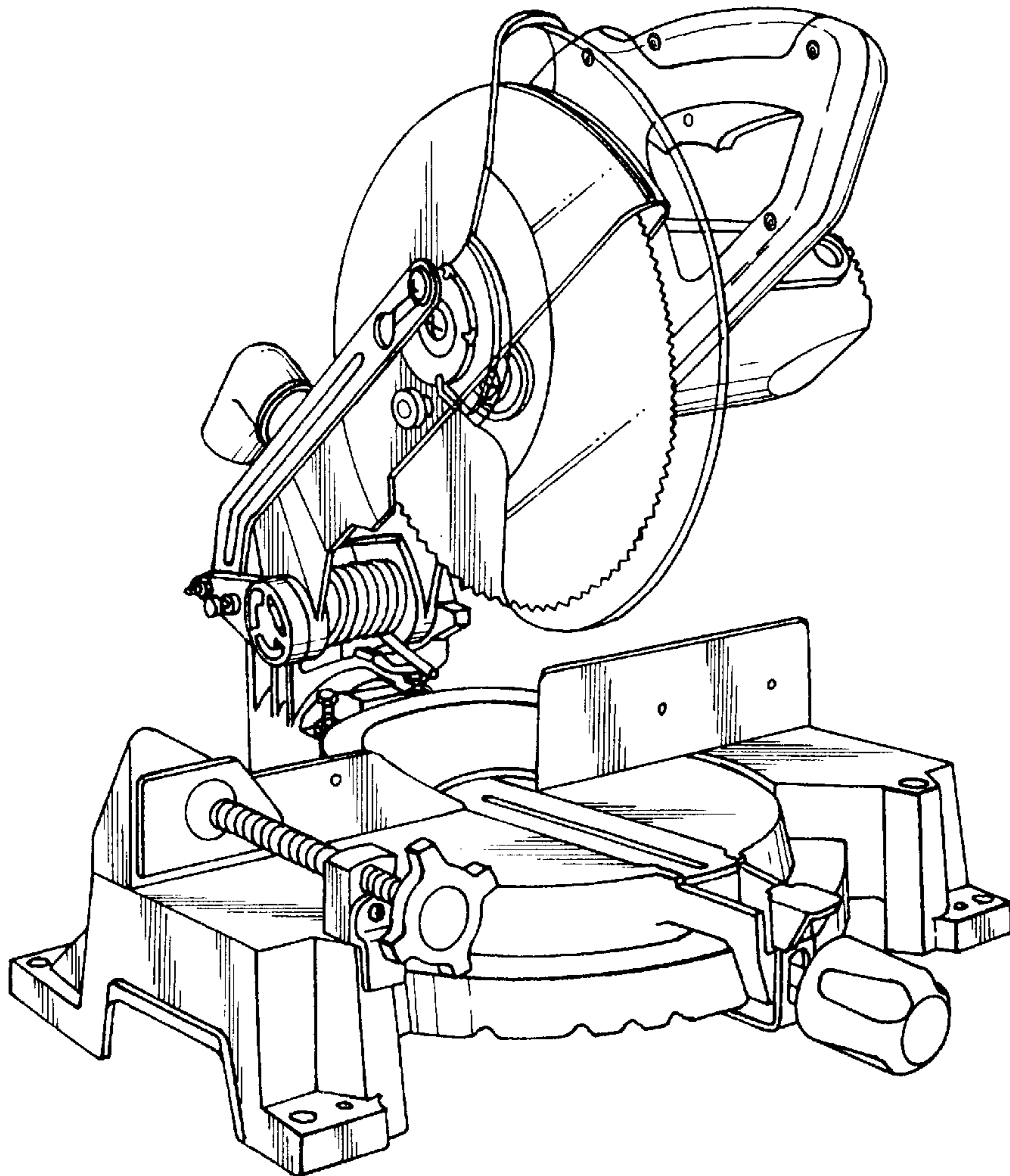
FIG. 1 is a perspective view of sawing machine showing my new design;
FIG. 2 is a front elevational view thereof;
FIG. 3 is a rear elevational view thereof;
FIG. 4 is a left side elevational view thereof;
FIG. 5 is a right side elevational view thereof;
FIG. 6 is a top plan view thereof; and,
FIG. 7 is a bottom plan view thereof.

[56] References Cited

U.S. PATENT DOCUMENTS

D. 348,272	6/1994	Brickner	D15/133
D. 374,803	10/1996	Terpstra et al.	D15/133

1 Claim, 7 Drawing Sheets



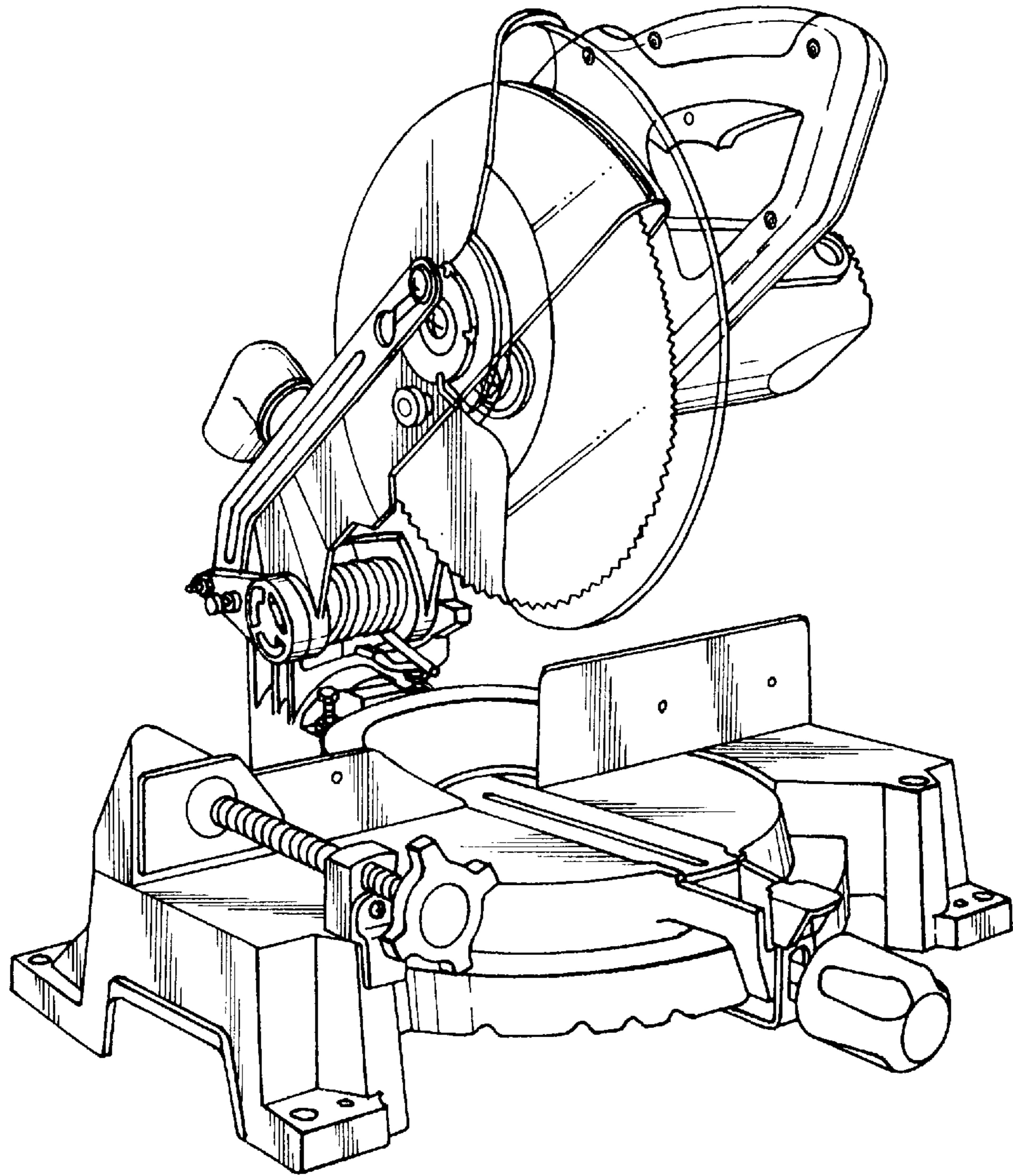


FIG.1

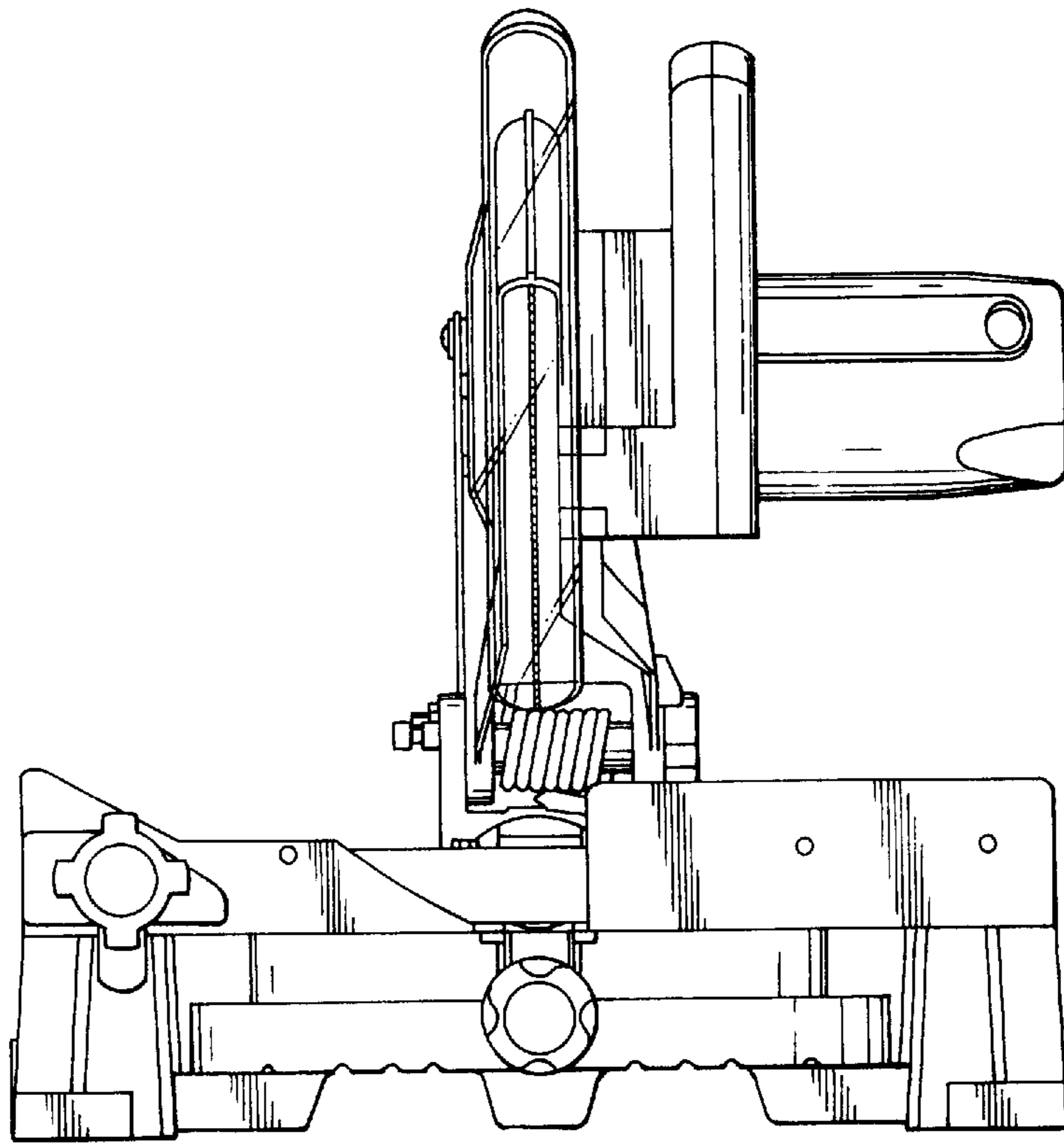


FIG. 2

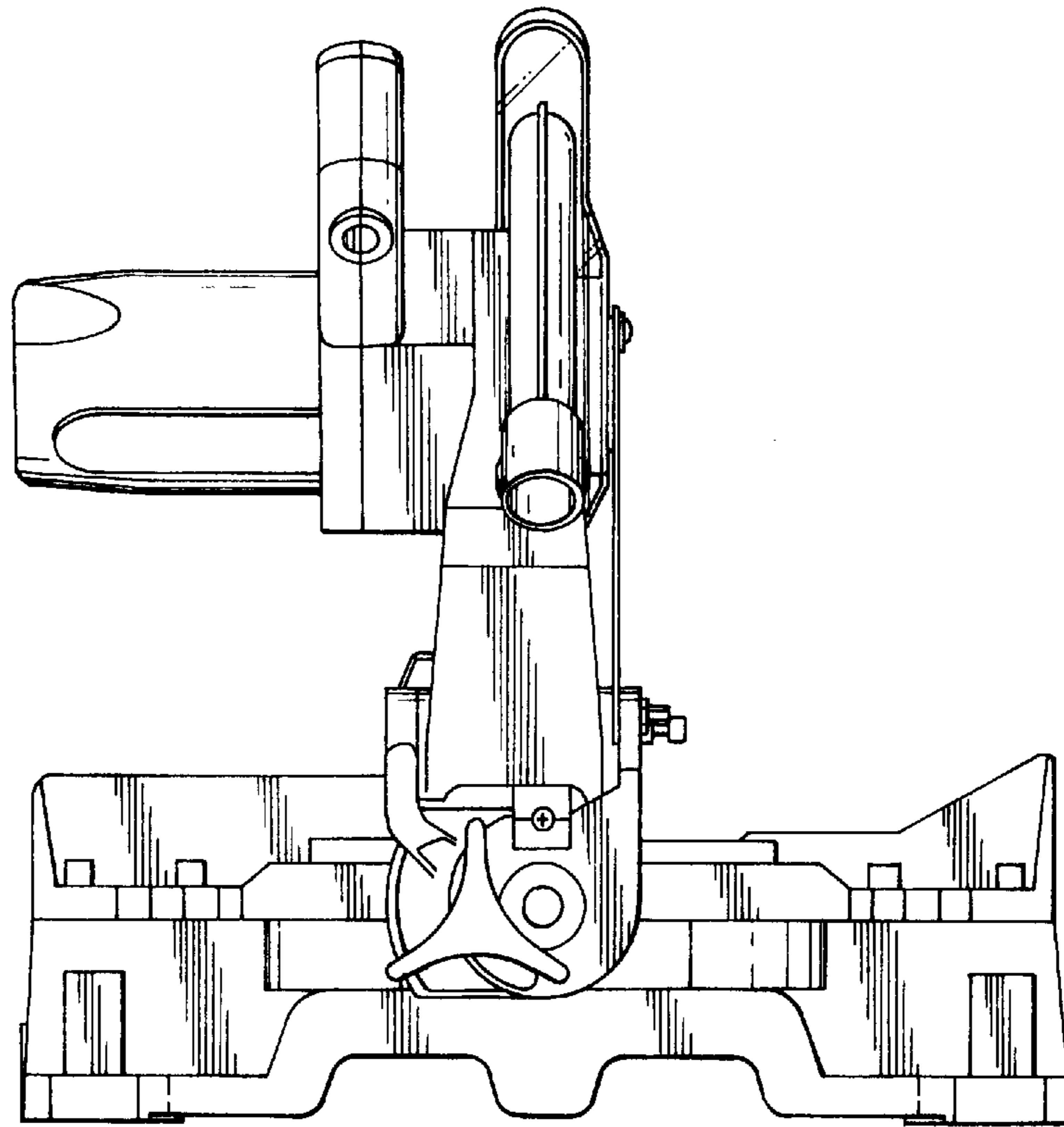


FIG. 3

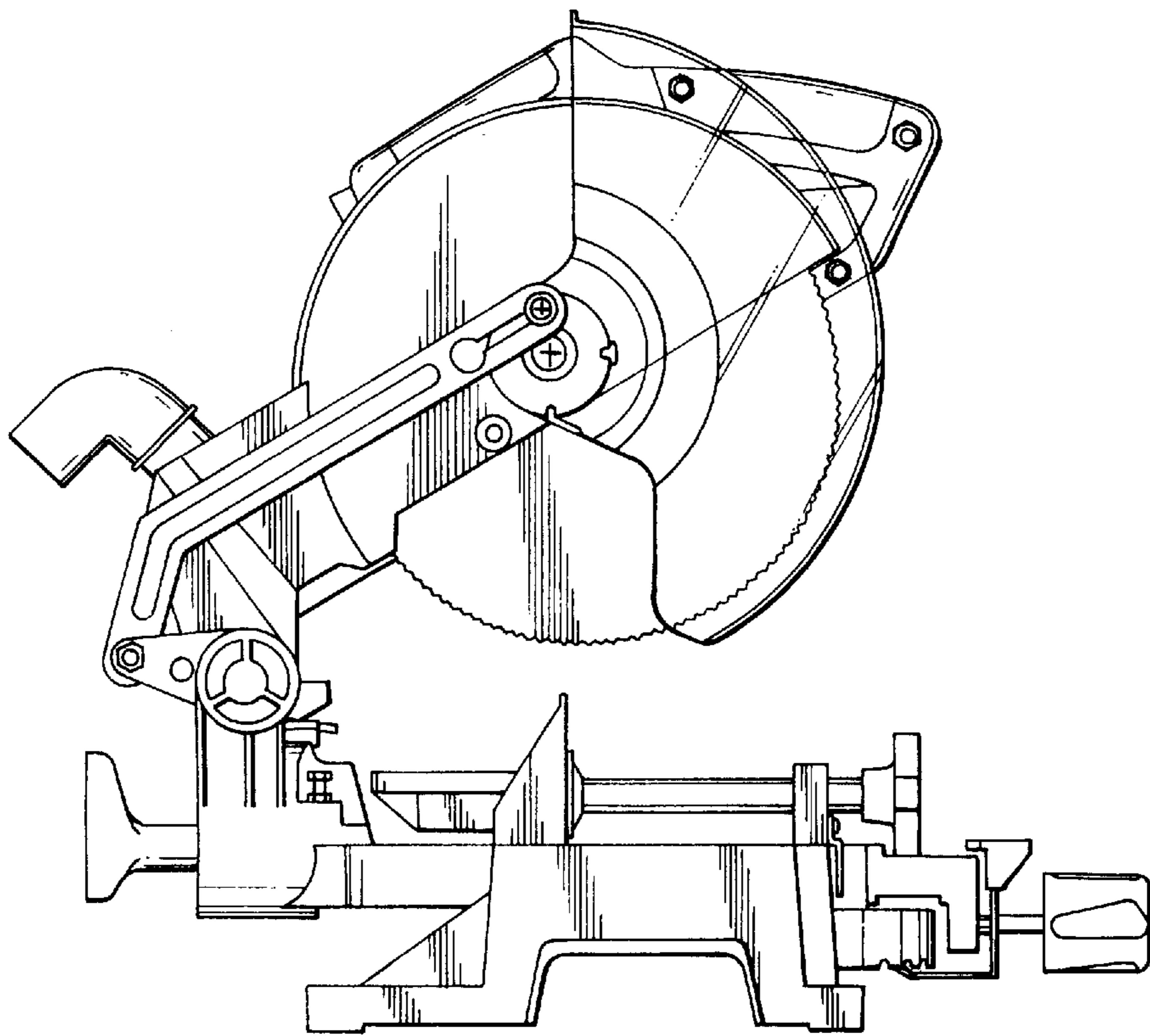


FIG.4

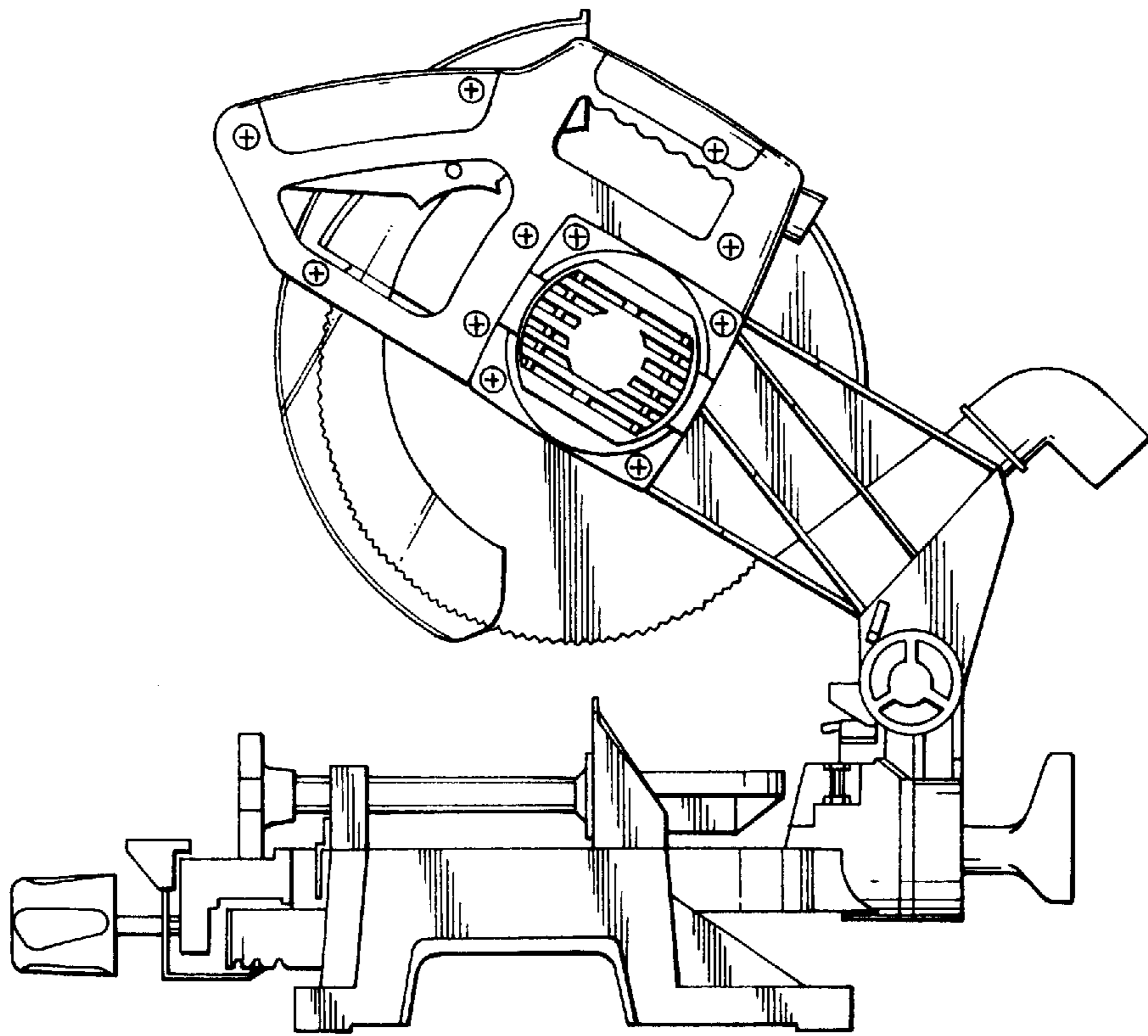


FIG.5

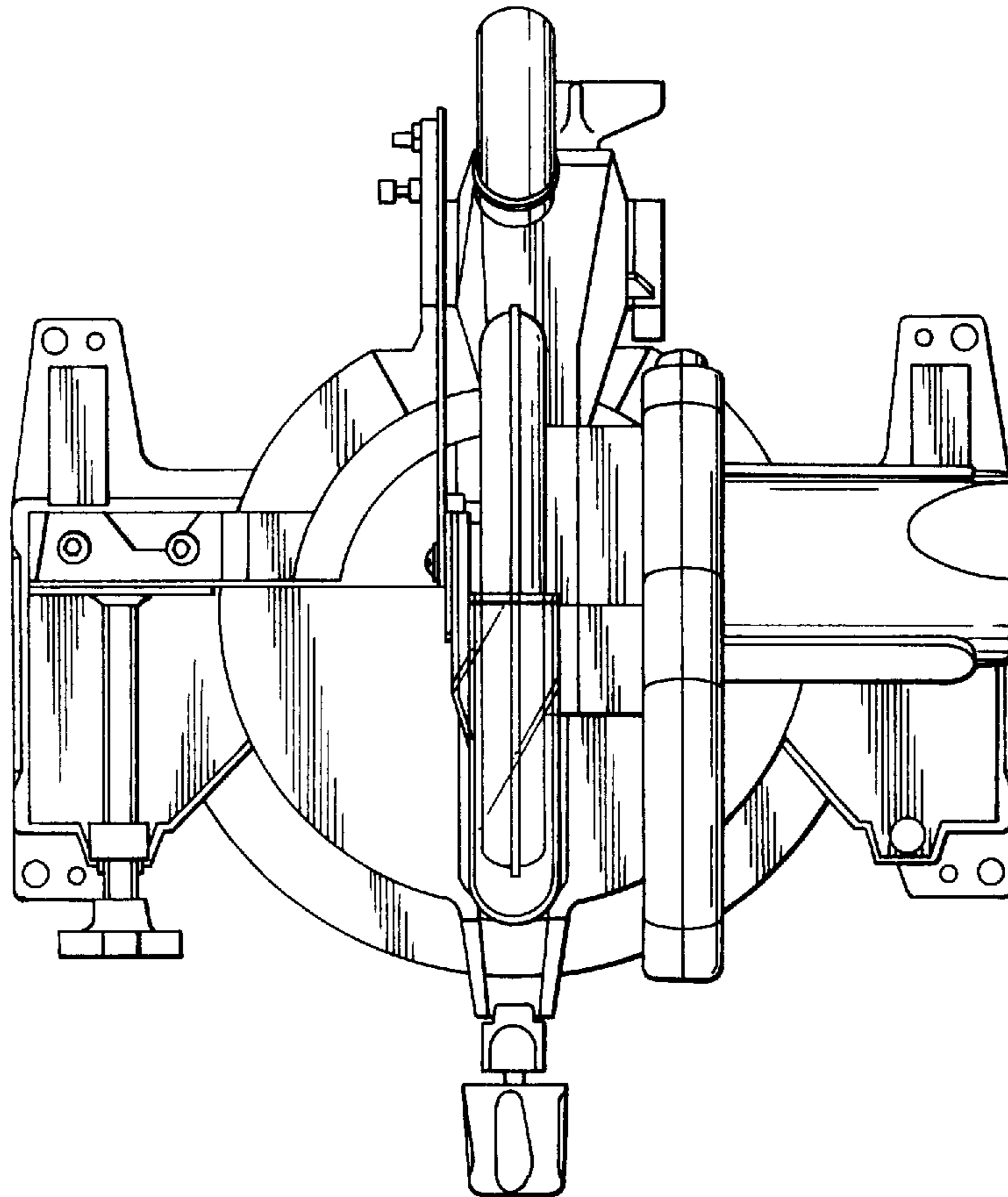


FIG. 6

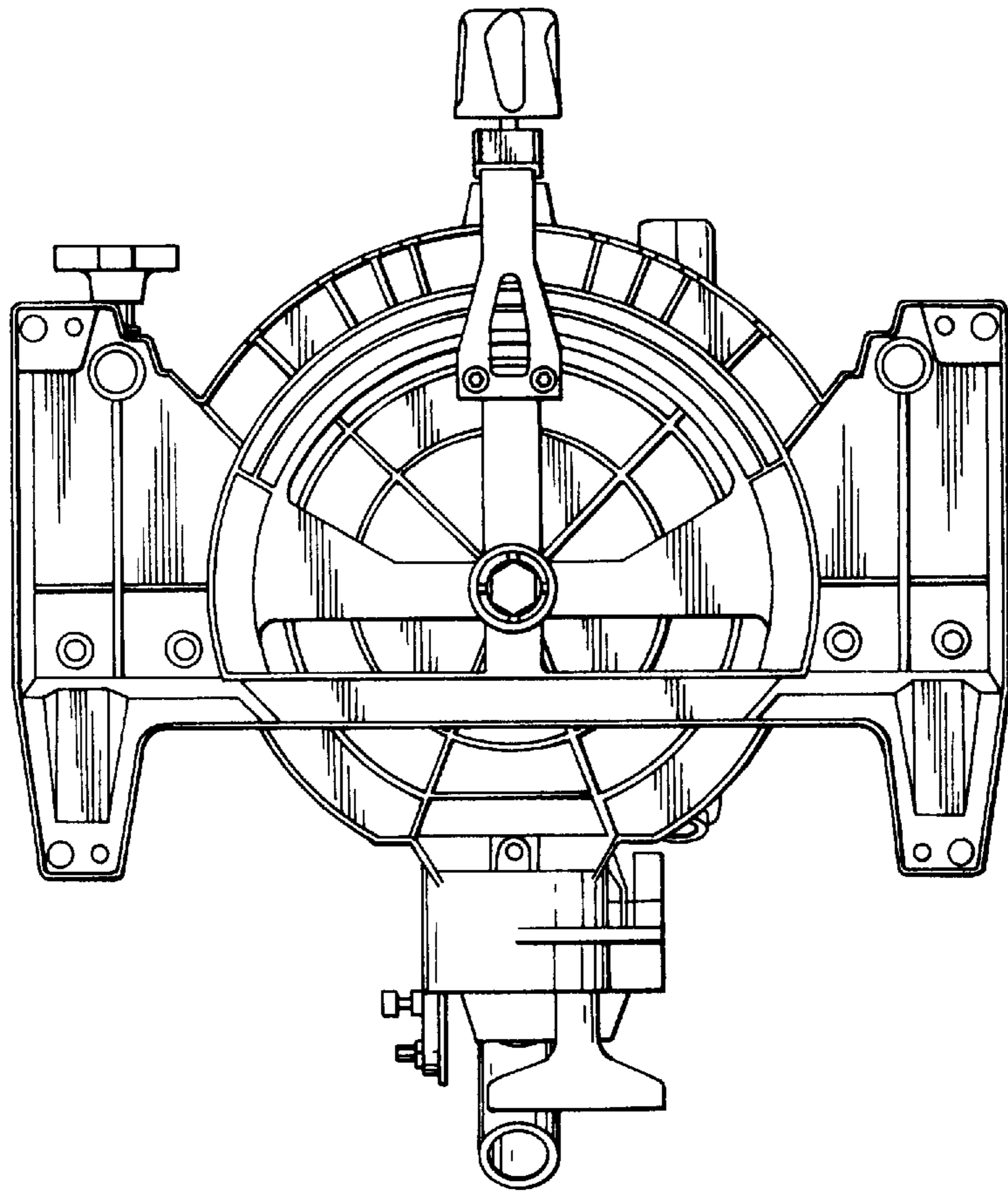


FIG. 7