



US00D399218S

United States Patent [19]

Brunson et al.

[11] Patent Number: Des. 399,218

[45] Date of Patent: **Oct. 6, 1998

[54] BASE ASSEMBLY FOR A SLIDING COMPOUND MITER SAW

B1 4,934,233 8/1994 Brundage et al. .
B1 5,042,348 8/1994 Brundage et al. .

[75] Inventors: Mark E. Brunson, Abingdon; Robert P. Welsh, Hunt Valley, both of Md.

FOREIGN PATENT DOCUMENTS

59-225909 12/1984 Japan .
61-284401 12/1986 Japan .

[73] Assignee: Black & Decker Inc., Newark, Del.

Primary Examiner—Antoine Duval Davis
Attorney, Agent, or Firm—Harness, Dickey & Pierce, P.L.C.

[**] Term: 14 Years

[57] CLAIM

[21] Appl. No.: 72,694

The ornamental design for a base assembly for a sliding compound miter saw, as shown and described.

[22] Filed: Jun. 19, 1997

DESCRIPTION

[51] LOC (6) Cl. 15-09

[52] U.S. Cl. D15/133

[58] Field of Search D15/133; 83/471.1-471.4,
83/477, 581, 776-783

FIG. 1 is a perspective view of the design for a base assembly for a sliding compound miter saw according to the present invention;

FIG. 2 is a top plan view thereof;

FIG. 3 is a front elevational view thereof;

FIG. 4 is a right side elevational view thereof;

FIG. 5 is a left elevational view thereof; and,

FIG. 6 is a rear elevational view thereof.

The broken line showing is for illustrative purposes only and forms no part of the claimed design.

[56] References Cited

U.S. PATENT DOCUMENTS

- D. 305,542 1/1990 Miyamoto et al. .
- D. 306,031 2/1990 Ushiwata et al. .
- D. 336,652 6/1993 Arehart .
- D. 346,173 4/1994 Price D15/133
- 4,638,700 1/1987 Fushiya et al. .
- 4,934,233 6/1990 Brundage et al. .

1 Claim, 3 Drawing Sheets

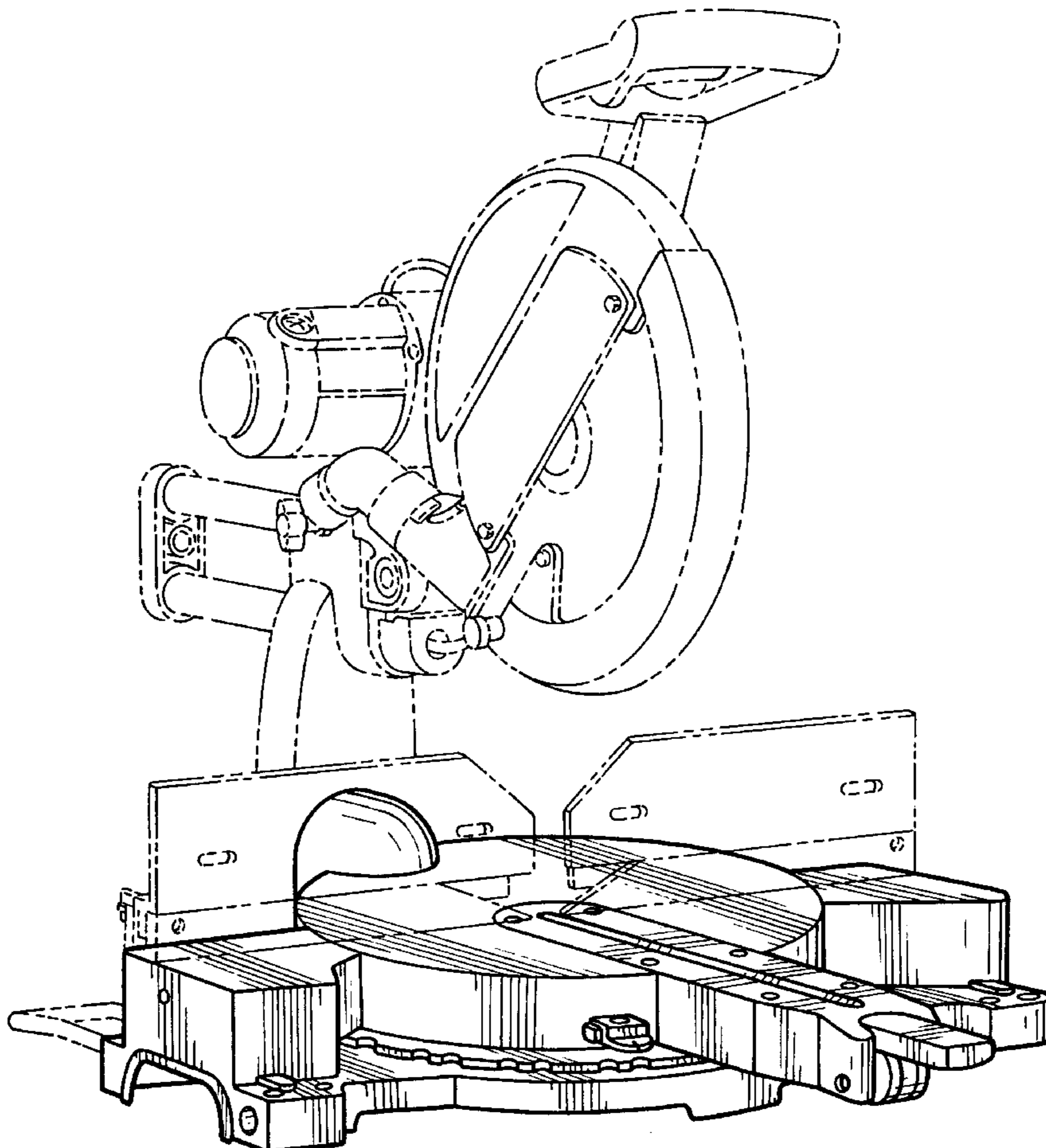
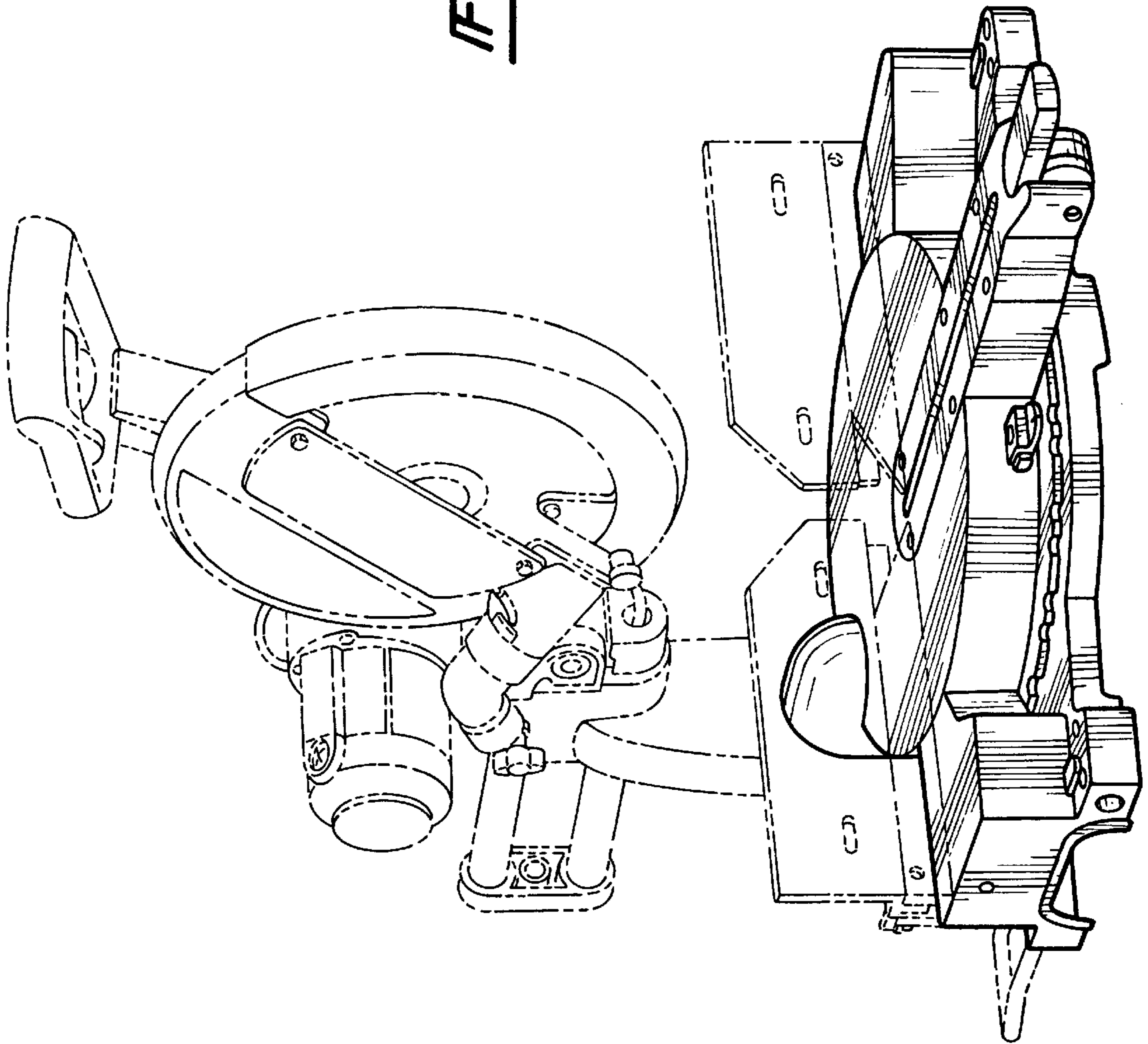


Fig-1



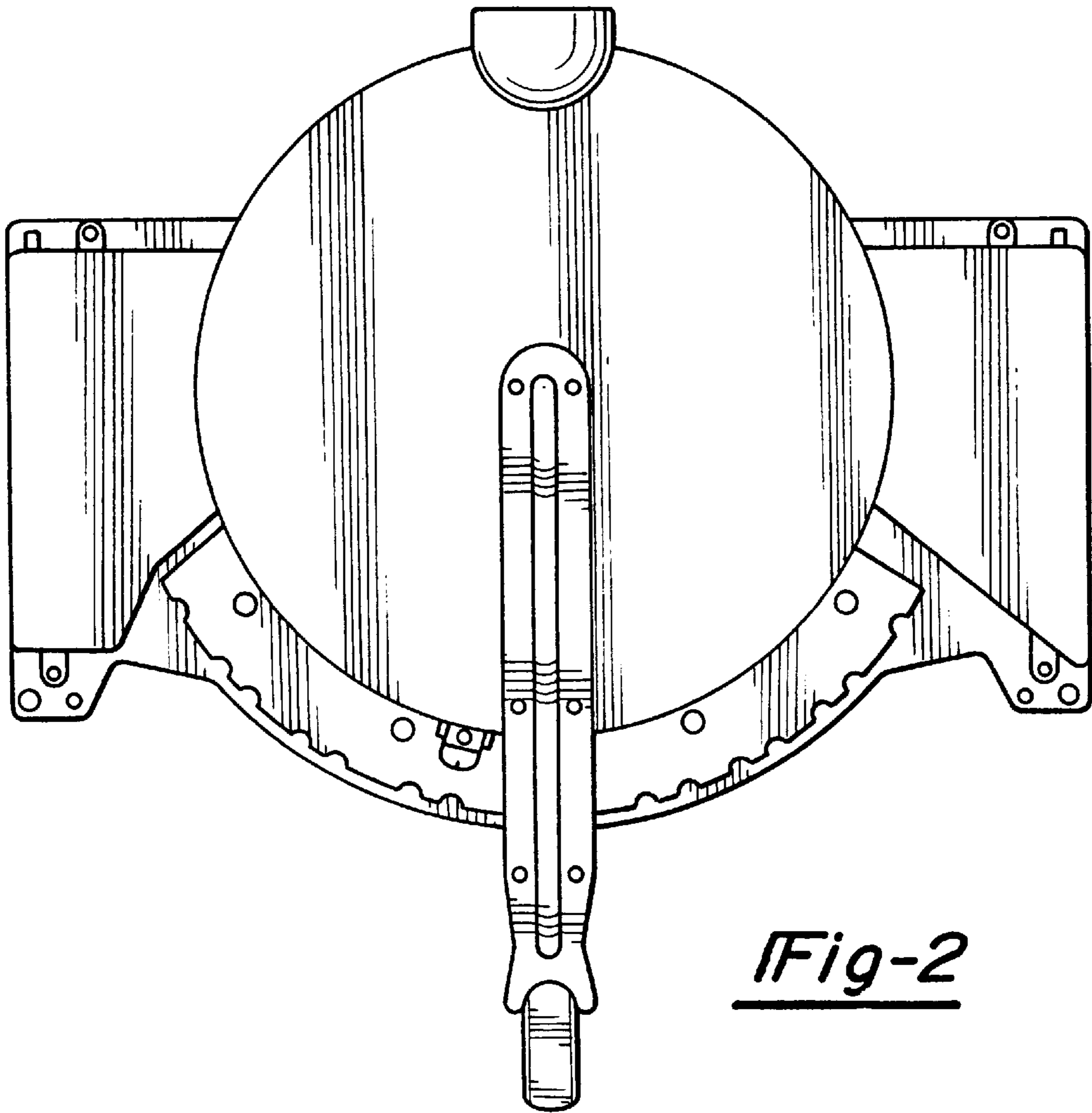


Fig-2

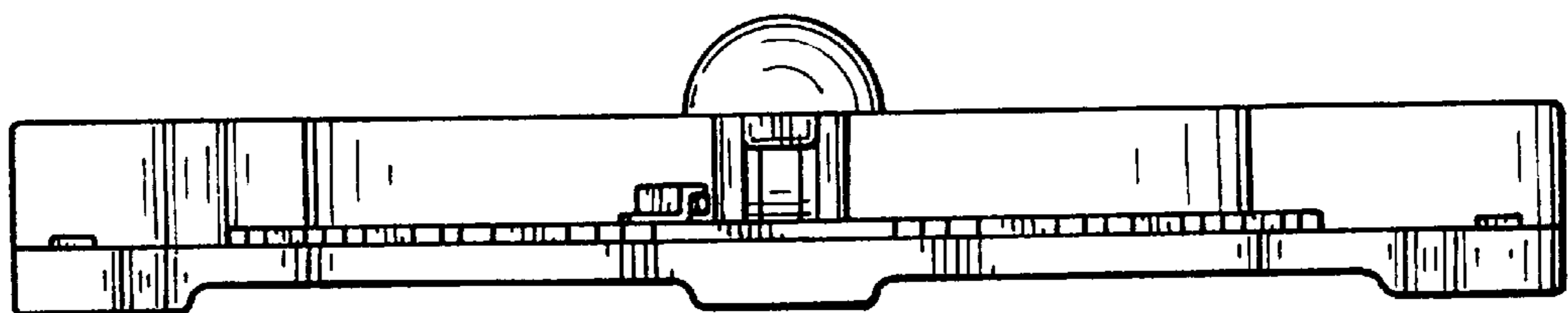


Fig-3

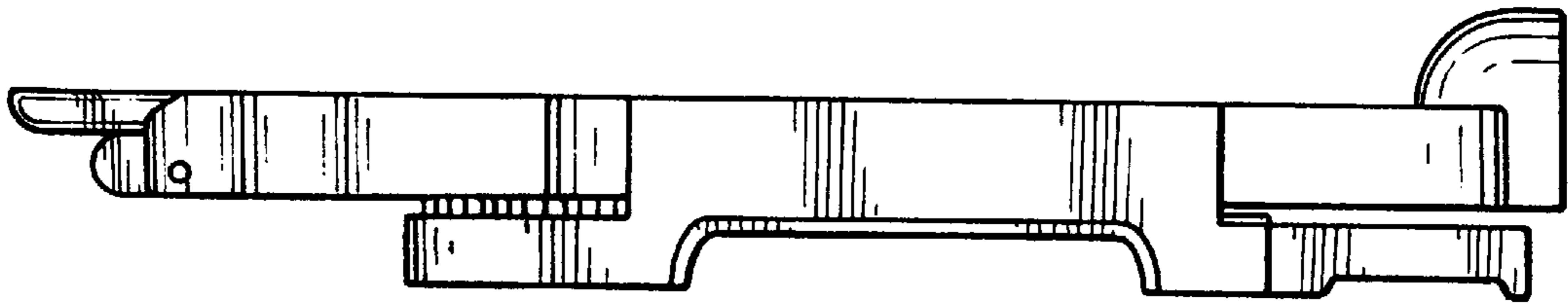


Fig-4

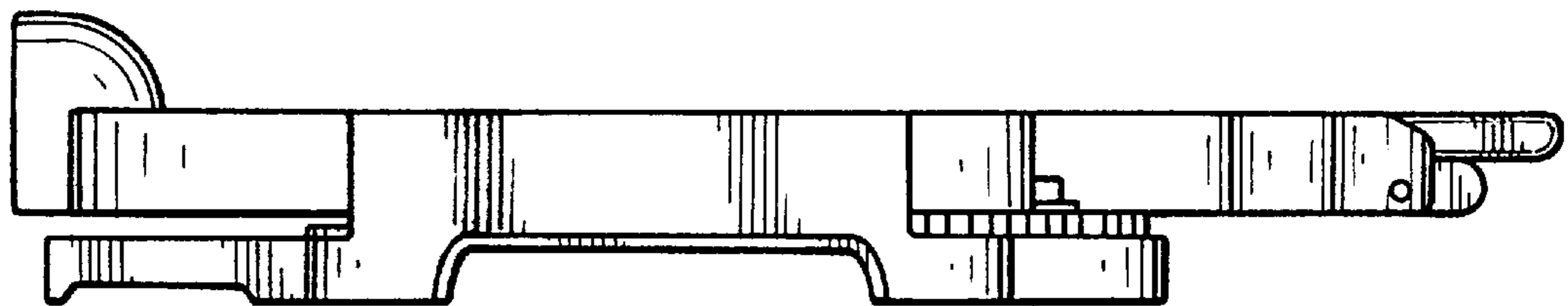


Fig-5

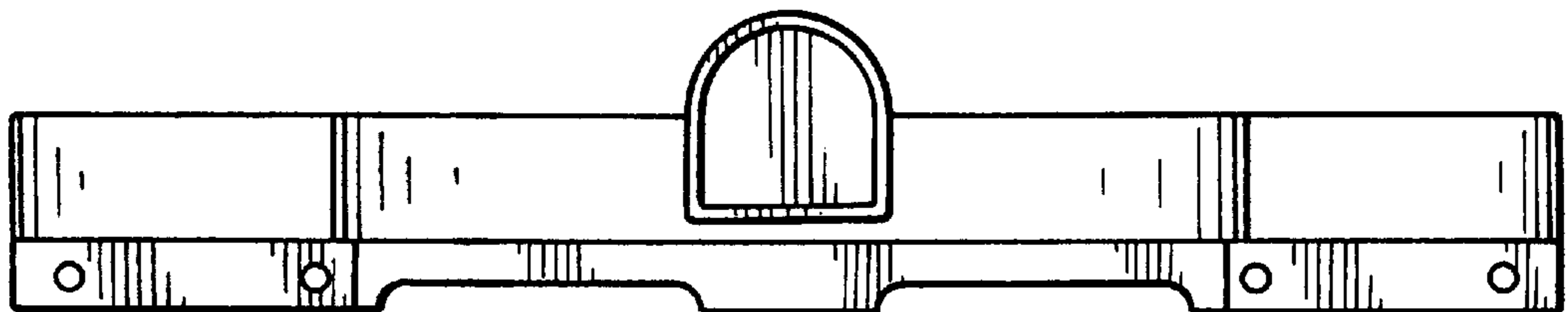


Fig-6