



US00D399217S

# United States Patent [19] Ochi

[11] **Patent Number: Des. 399,217**

[45] **Date of Patent: \*\*Oct. 6, 1998**

[54] **CUTTING MACHINE FOR CUTTING METAL RODS**

5,097,576 3/1992 Kadono et al. .... 29/33 T  
5,609,081 3/1997 Lin ..... 82/59

[75] Inventor: **Toshio Ochi**, Osaka, Japan

*Primary Examiner*—Antoine Duval Davis  
*Attorney, Agent, or Firm*—Armstrong, Westerman, Hattori,  
McLeland & Armstrong

[73] Assignee: **Manyo Company Ltd.**, Japan

[\*\*] Term: **14 Years**

[57] **CLAIM**

[21] Appl. No.: **65,261**

The ornamental design for a cutting machine for cutting metal rods, as shown and described.

[22] Filed: **Jan. 29, 1997**

**DESCRIPTION**

[51] **LOC (6) Cl.** ..... **15-09**

[52] **U.S. Cl.** ..... **D15/127**

[58] **Field of Search** ..... D15/127; 82/70.1,  
82/78, 86, 113, 92, 100, 54, 58, 70.2; 29/33 T;  
83/303, 318; 409/197; 30/94, 102, 97, 101;  
266/44, 55, 56, 57, 77

FIG. 1 is a front view of a cutting machine for cutting metal rods showing my new design;  
FIG. 2 is a right side view thereof;  
FIG. 3 is a left side view thereof;  
FIG. 4 is a top view thereof;  
FIG. 5 is a rear view thereof;  
FIG. 6 is a bottom view thereof; and,  
FIG. 7 is a perspective taken from the right, upper corner thereof.

[56] **References Cited**

**U.S. PATENT DOCUMENTS**

D. 292,100 9/1987 Goldsmith et al. .... D15/127  
D. 378,681 4/1997 Beijen ..... D15/127

**1 Claim, 4 Drawing Sheets**

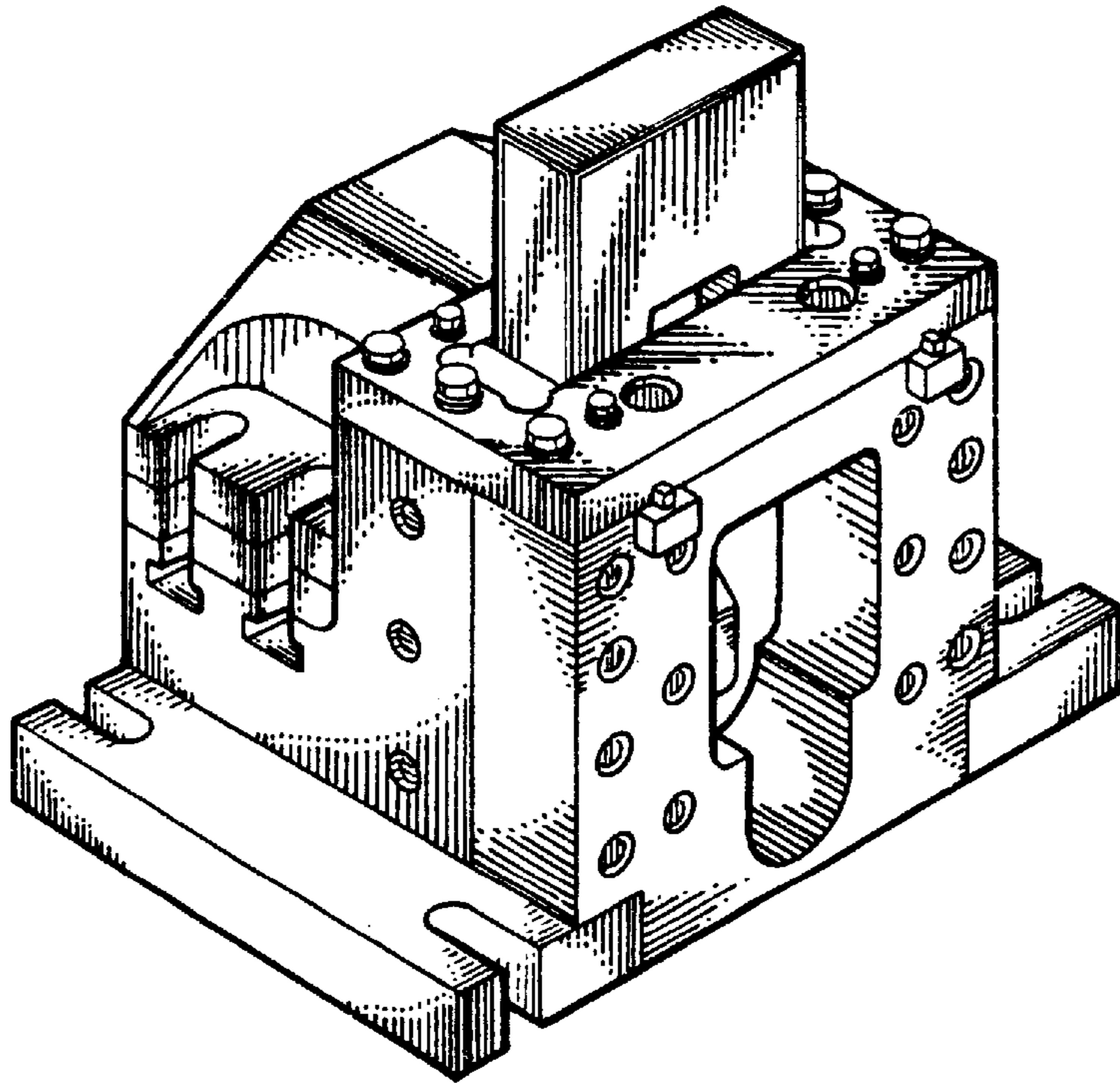


FIG. 1

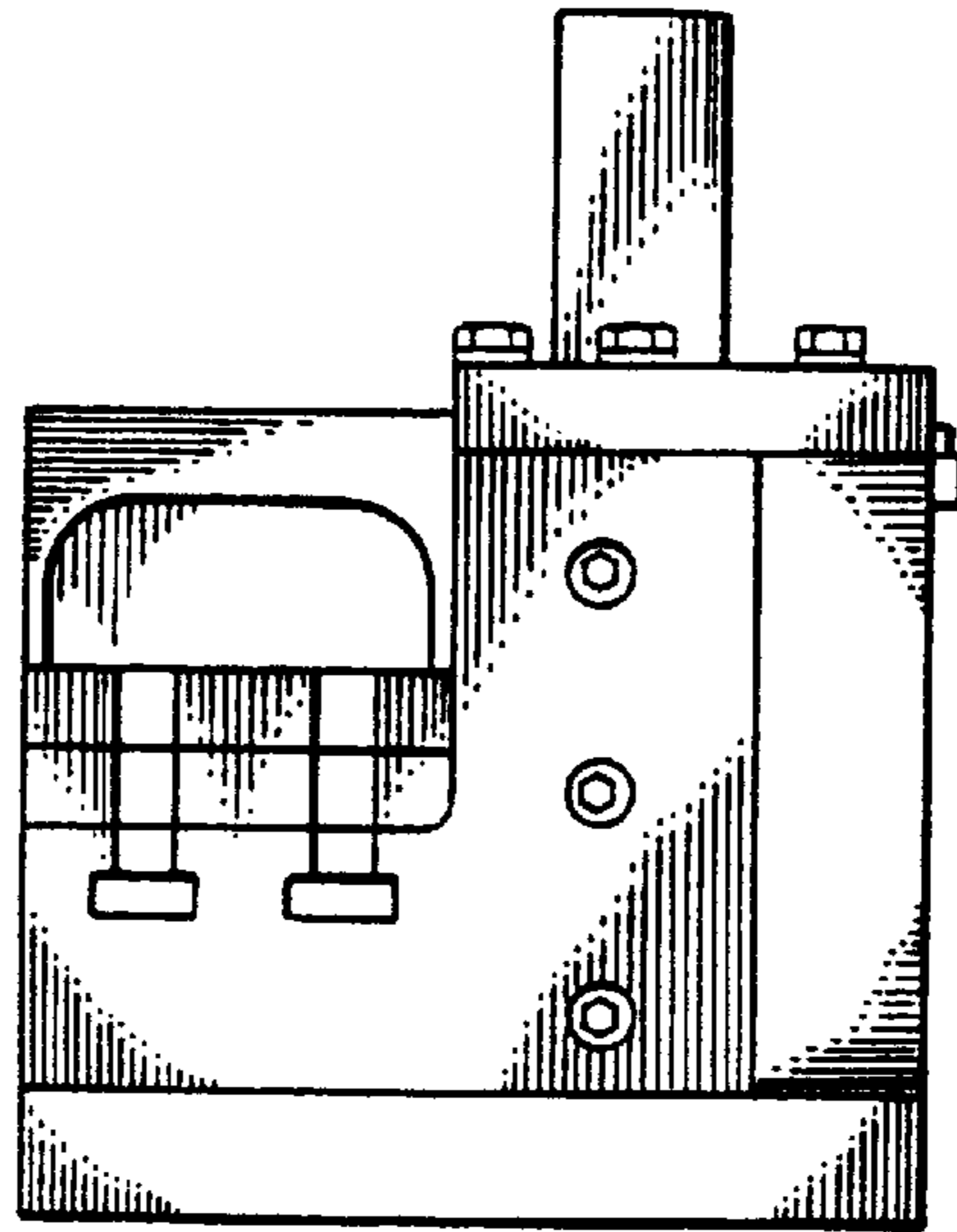


FIG. 2

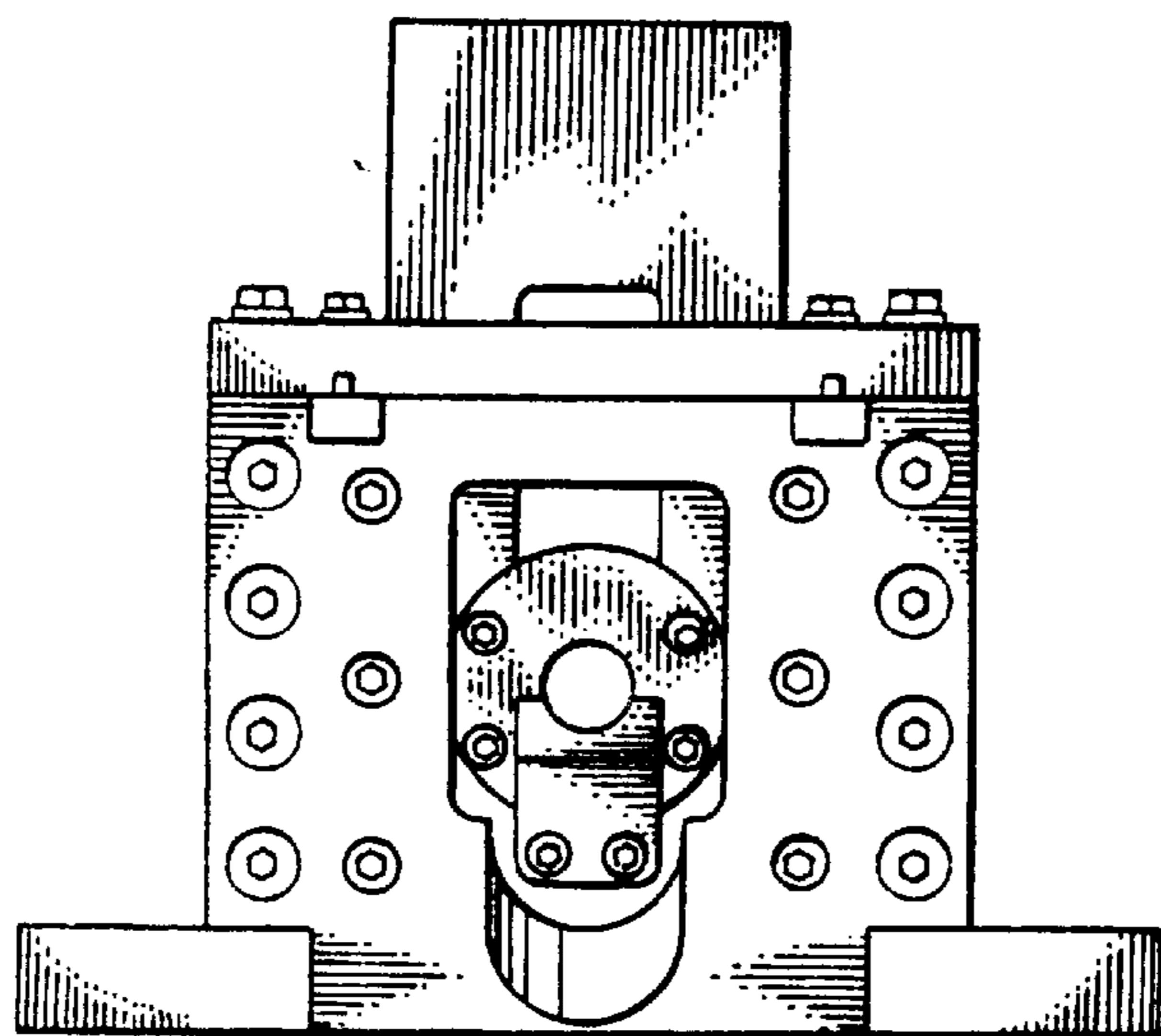


FIG. 3

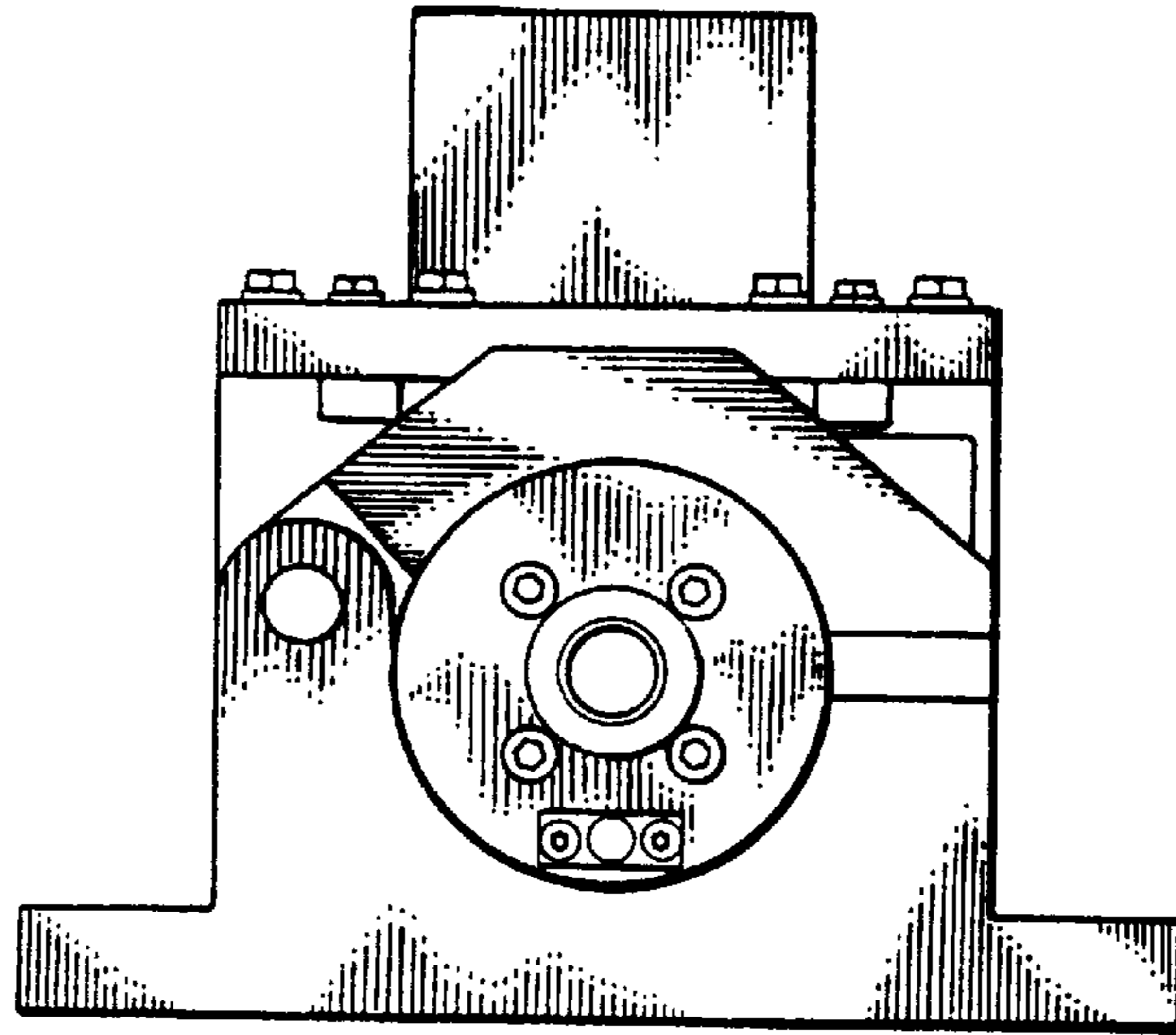


FIG. 4

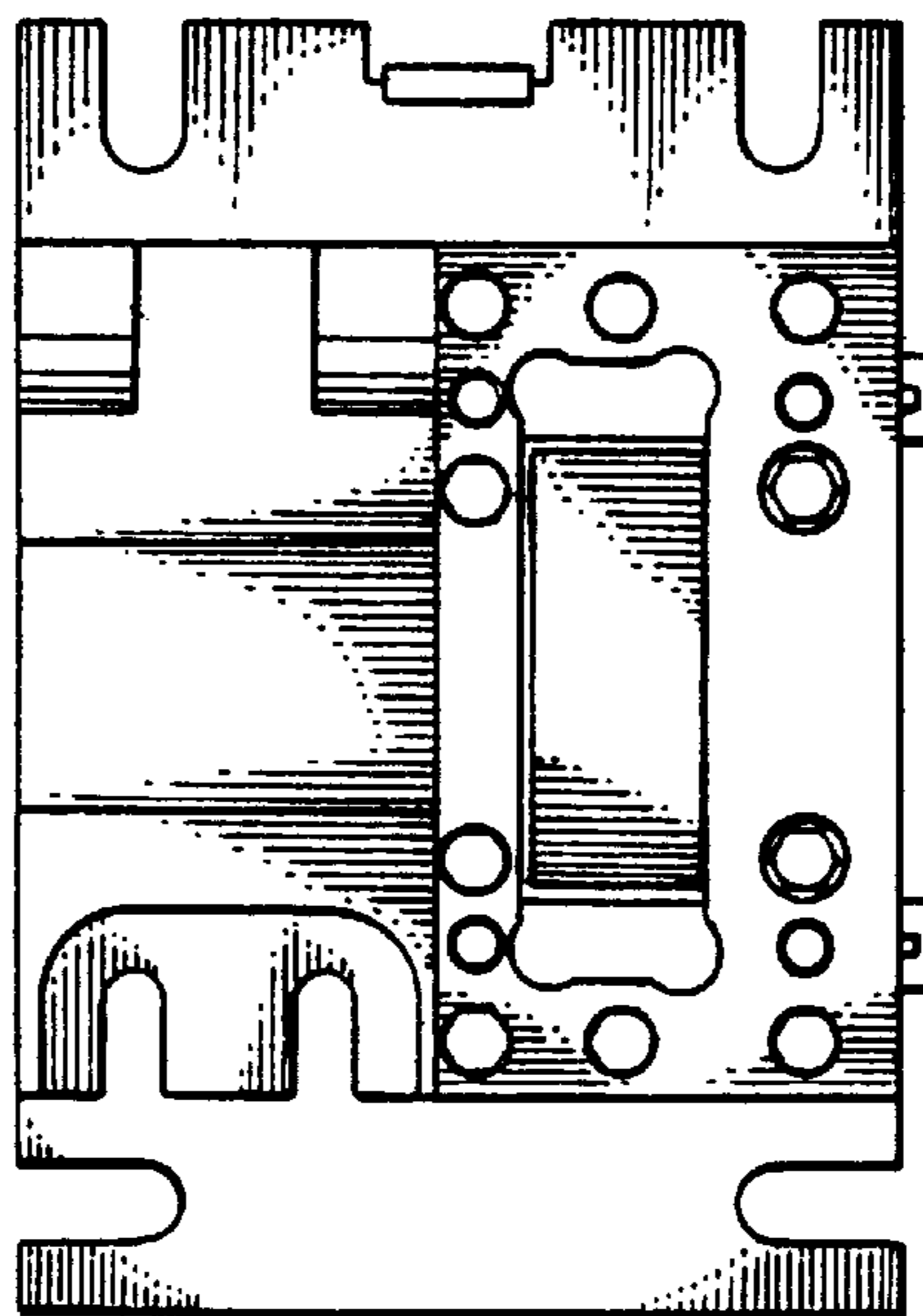


FIG. 5

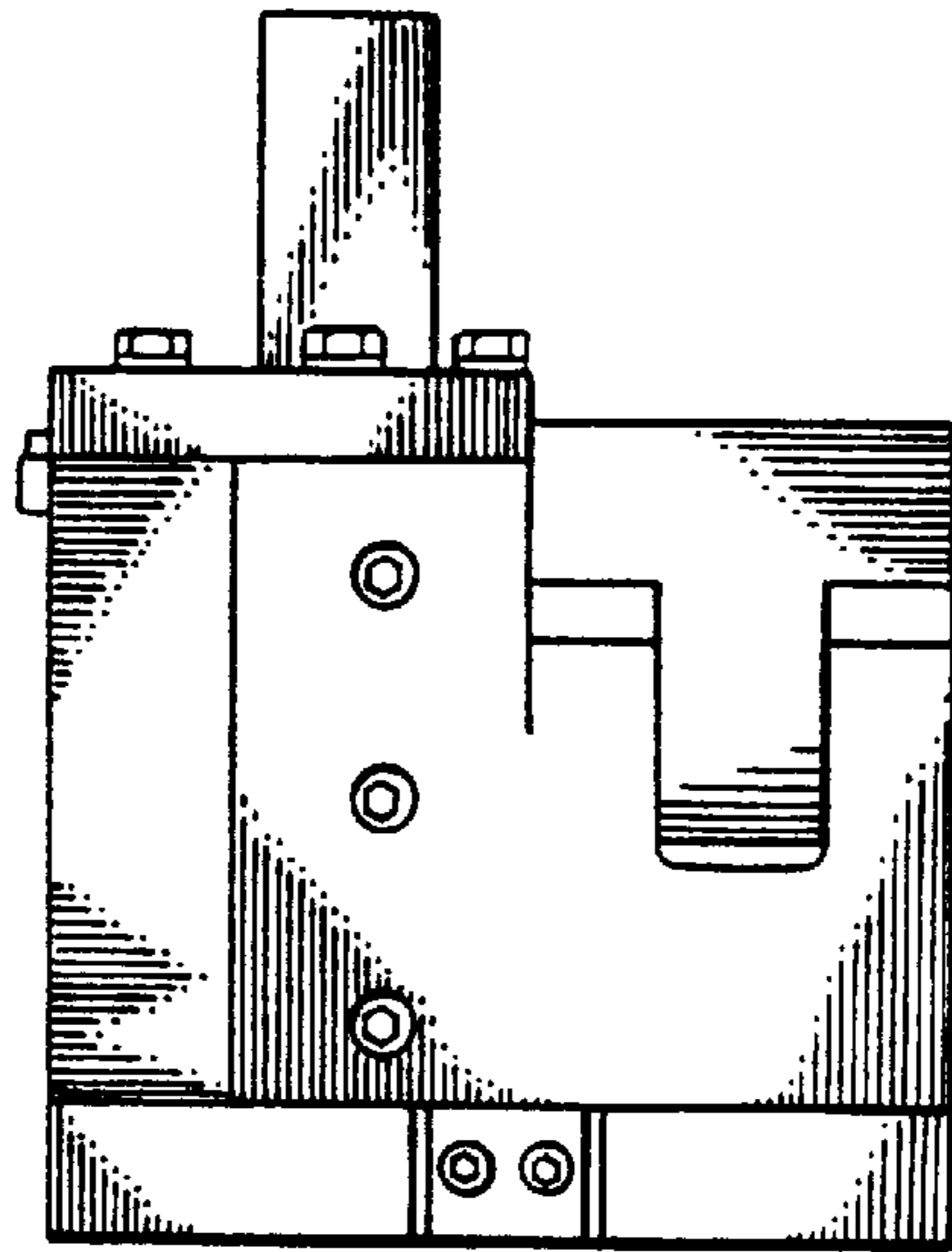


FIG. 6

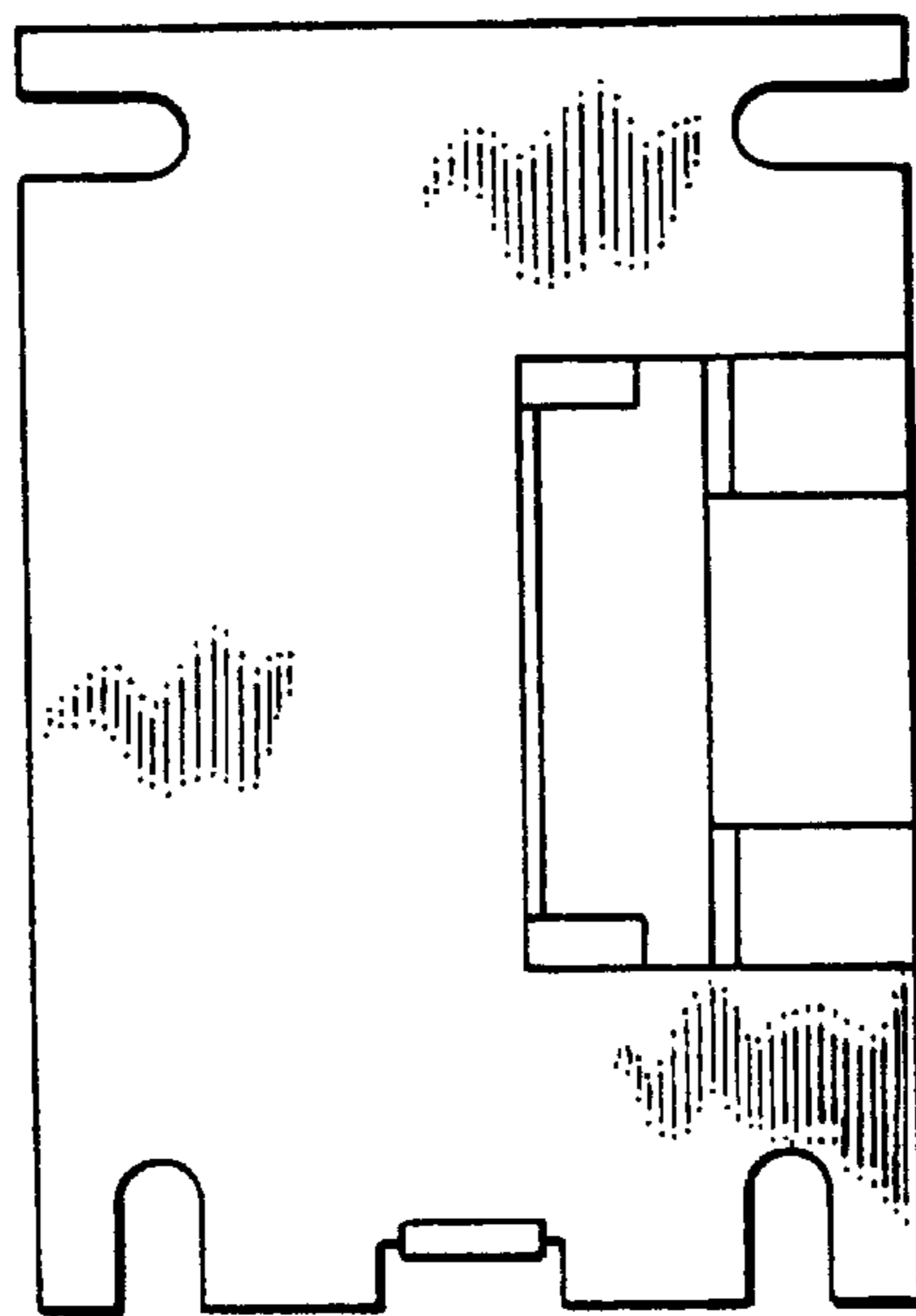


FIG. 7

