



US00D399216S

United States Patent [19]

Ishimaru et al.

[11] Patent Number: **Des. 399,216**

[45] Date of Patent: ****Oct. 6, 1998**

[54] **DYEING MACHINE**

5,566,559 10/1996 Chen 68/177

[76] Inventors: **Osamu Ishimaru**, 1-6-13, Gakuenmae, Habikino-shi, Osaka 583; **Masao Takigawa**, 5-7-1-415, Kasugachou, Toyonaka-shi, Osaka 560; **Satoshi Nomura**, 2-215-1, Sensou, Itami-shi Hyogo 664, all of Japan

FOREIGN PATENT DOCUMENTS

7-218434 8/1995 Japan .
7-27281 9/1995 Japan .
PCT/JP96/
01985 7/1996 WIPO .

[**] Term: **14 Years**

Primary Examiner—Sandra L. Morris
Attorney, Agent, or Firm—Cushman, Darby & Cushman IP Group of Pillsbury Madison & Sutro LLP

[21] Appl. No.: **58,116**

[57] CLAIM

[22] Filed: **Aug. 8, 1996**

The ornamental design for a dyeing machine, as shown and described.

[51] **LOC (6) Cl.** **15-06**

[52] **U.S. Cl.** **D15/66**

[58] **Field of Search** D15/66, 72, 147; 8/152, 157, 158; 68/177, 178, 207

DESCRIPTION

[56] References Cited

U.S. PATENT DOCUMENTS

D. 232,580 8/1974 Maginniss D15/147
D. 339,359 9/1993 Scholl D15/66
4,578,085 3/1986 Ishimaru 8/152
4,825,491 5/1989 Miyamoto et al. 8/152
4,977,761 12/1990 Hacker et al. 68/177
5,425,254 6/1995 Fang-Ping 68/177

FIG. 1 is a front view of the dyeing machine;
FIG. 2 is a top view;
FIG. 3 is a rear view;
FIG. 4 is a left hand side view;
FIG. 5 is a right hand side view; and,
FIG. 6 is a bottom view.

The portion shown in dashed lines illustrates the environment of the article and forms no part of the design.

1 Claim, 2 Drawing Sheets

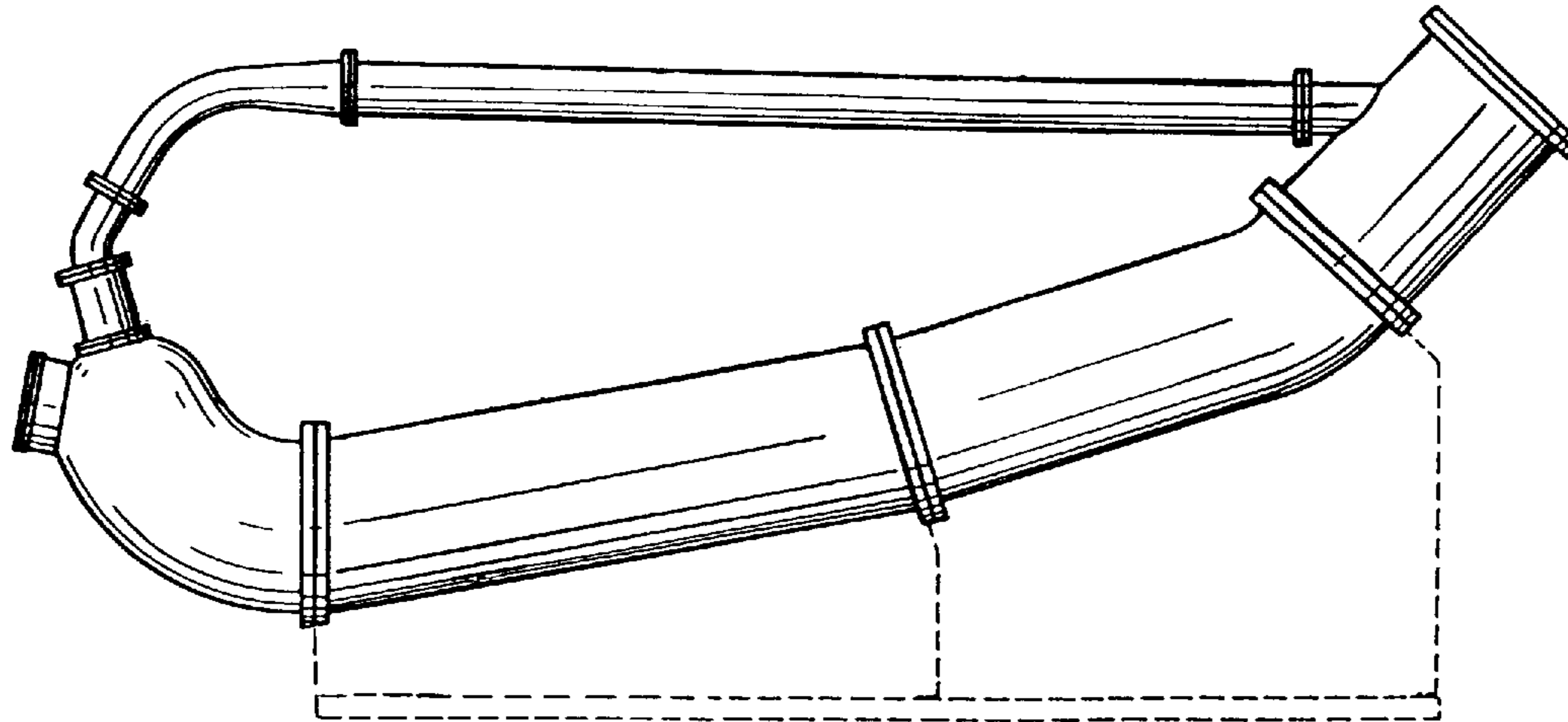


Fig.2

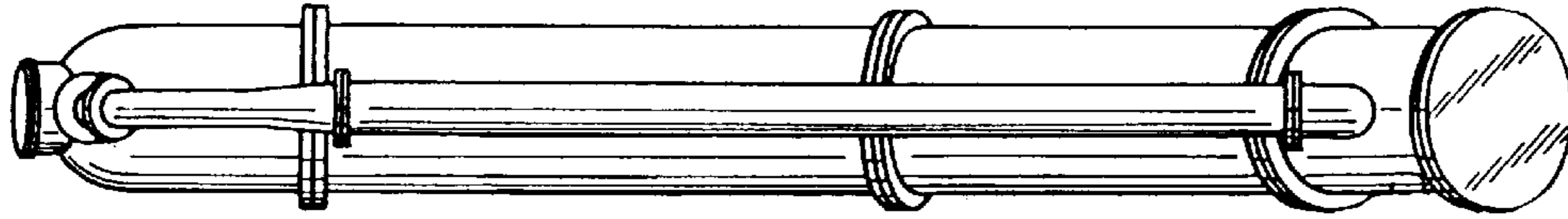


Fig.1

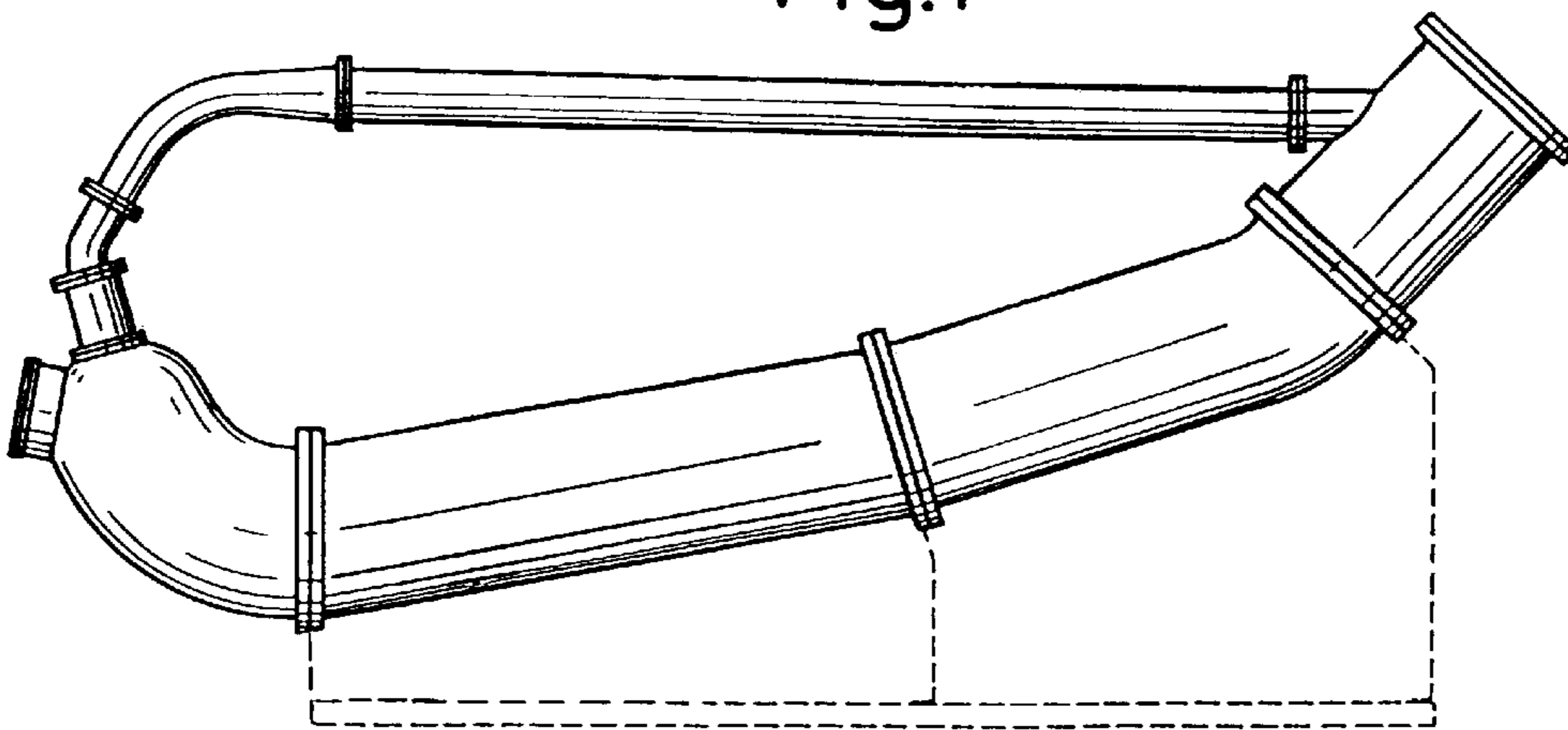


Fig.3

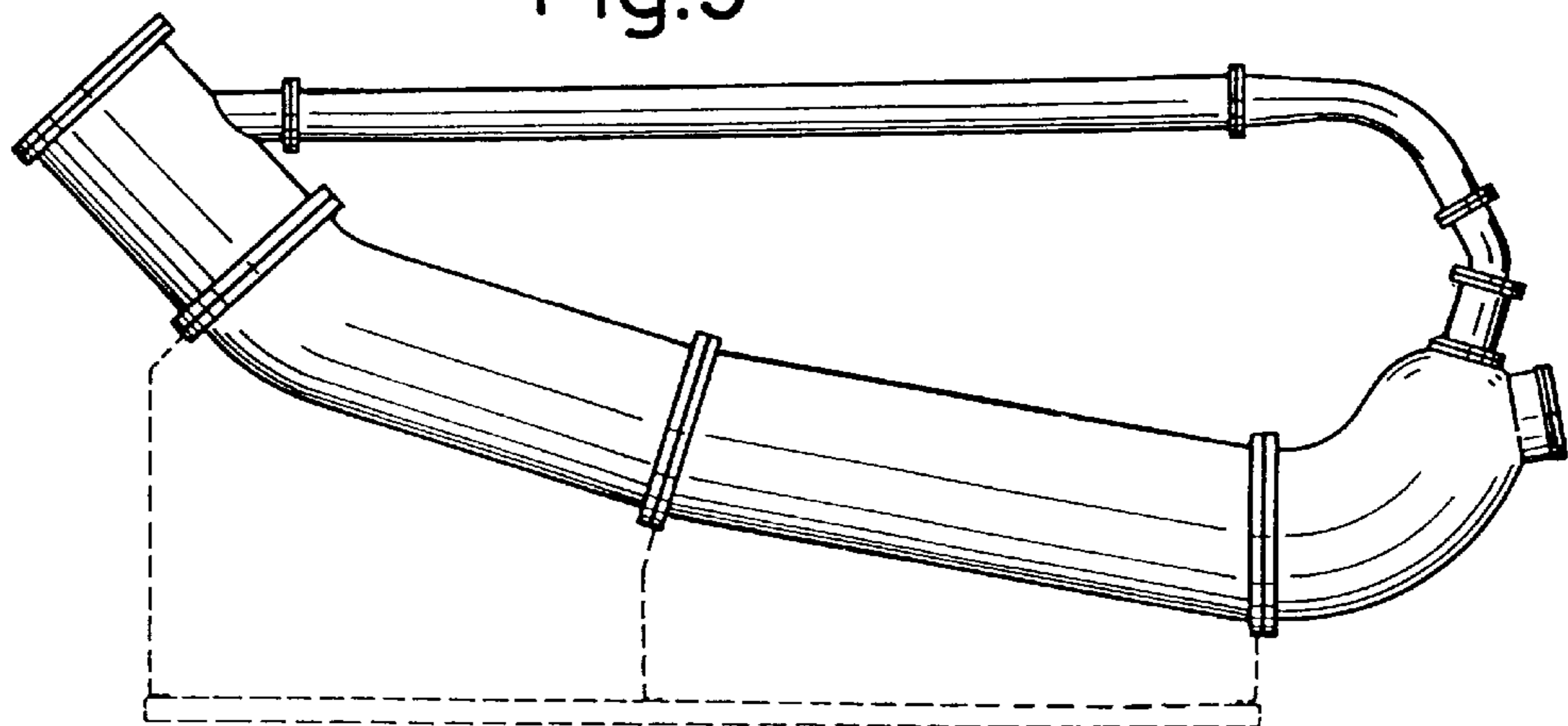


Fig.4



Fig.5

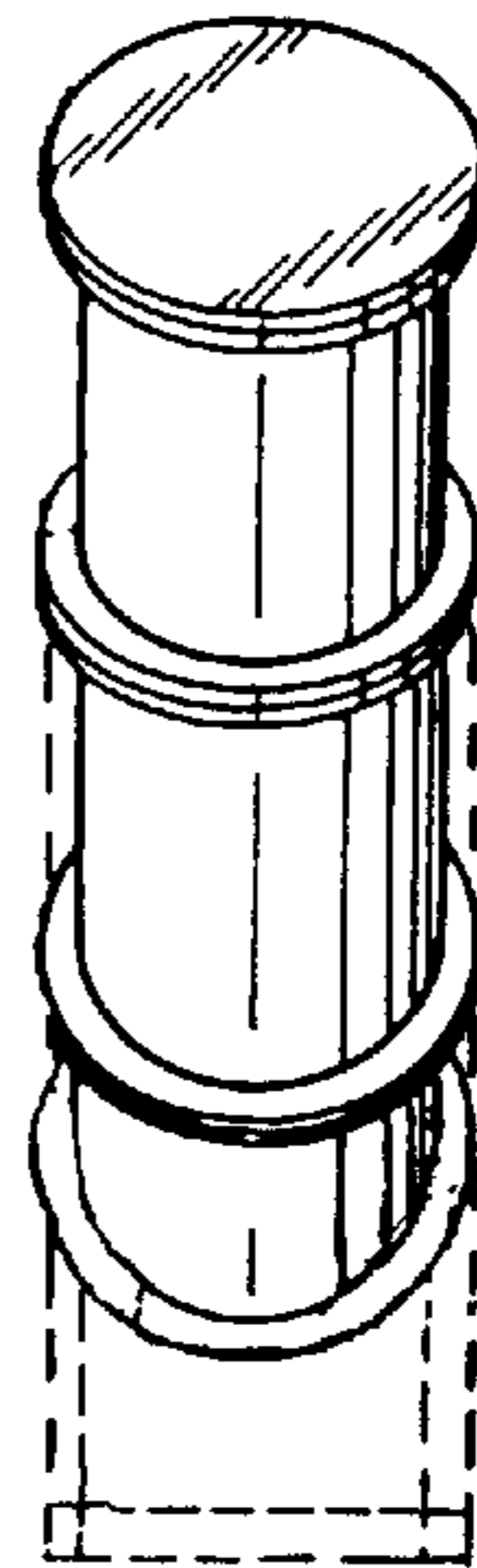
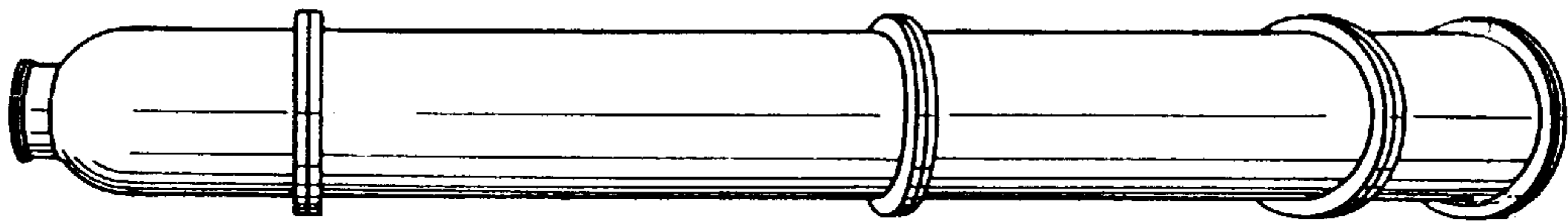


Fig.6



UNITED STATES PATENT AND TRADEMARK OFFICE
CERTIFICATE OF CORRECTION

PATENT NO. : Des. 399,216
DATED : October 6, 1998
INVENTOR(S) : ISHIMARU, et al.

It is certified that error appears in the above-identified patent and that said Letters Patent is hereby corrected as shown below:

On the face of the patent:

Please add: -- [73] Assignee: Hisaka Works, Ltd., Osaka-shi, Japan--

Signed and Sealed this
Thirtieth Day of May, 2000

Attest:



Q. TODD DICKINSON

Attesting Officer

Director of Patents and Trademarks