



US00D399214S

United States Patent [19] DeRuyter

[11] **Patent Number: Des. 399,214**

[45] **Date of Patent: **Oct. 6, 1998**

[54] **HOUSING FOR A COMPRESSOR**

[75] Inventor: **Craig R. DeRuyter**, Oostburg, Wis.

[73] Assignee: **Thomas Industries Inc.**, Sheboygan, Wis.

[**] Term: **14 Years**

[21] Appl. No.: **71,364**

[22] Filed: **May 28, 1997**

[51] **LOC (6) Cl.** **15-02**

[52] **U.S. Cl.** **D15/9**

[58] **Field of Search** D15/7-9; 417/411,
417/415, 234, 321, 229

[56] **References Cited**

U.S. PATENT DOCUMENTS

D. 137,829	5/1944	Hadley	D15/9
D. 237,789	11/1975	Davis	D15/9
D. 271,203	11/1983	Schütt et al.	D15/9
D. 273,957	5/1984	Boswell	D15/9
D. 273,958	5/1984	Mariol	D15/9
D. 301,247	5/1989	Prevosto	D15/9
D. 352,041	11/1994	Hansen	D15/7

Primary Examiner—Ralf Seifert

Attorney, Agent, or Firm—Quarles & Brady

[57] **CLAIM**

The ornamental design for a housing for a compressor, as shown and described.

DESCRIPTION

FIG. 1 is a top, front, and right perspective view of a housing for a compressor embodying my new design; FIG. 2 is a front elevational view thereof; FIG. 3 is a top plan view thereof; FIG. 4 is a bottom plan view thereof; FIG. 5 is a left side elevational view thereof; FIG. 6 is a right side elevational view thereof; and, FIG. 7 is a top, front, and left perspective view of a second embodiment, the front elevational view being a mirror image of that shown in FIG. 2, the top plan view being a mirror image of that shown in FIG. 3, the bottom plan view being a mirror image of that shown in FIG. 4, the right side elevational view being a mirror image of that shown in FIG. 5, and the left side elevational view being a mirror image of that shown in FIG. 6.

The broken line representations of holes in FIGS. 1, 3, 4, and 7 are for purposes of illustration only, and form no part of the claimed design.

1 Claim, 6 Drawing Sheets

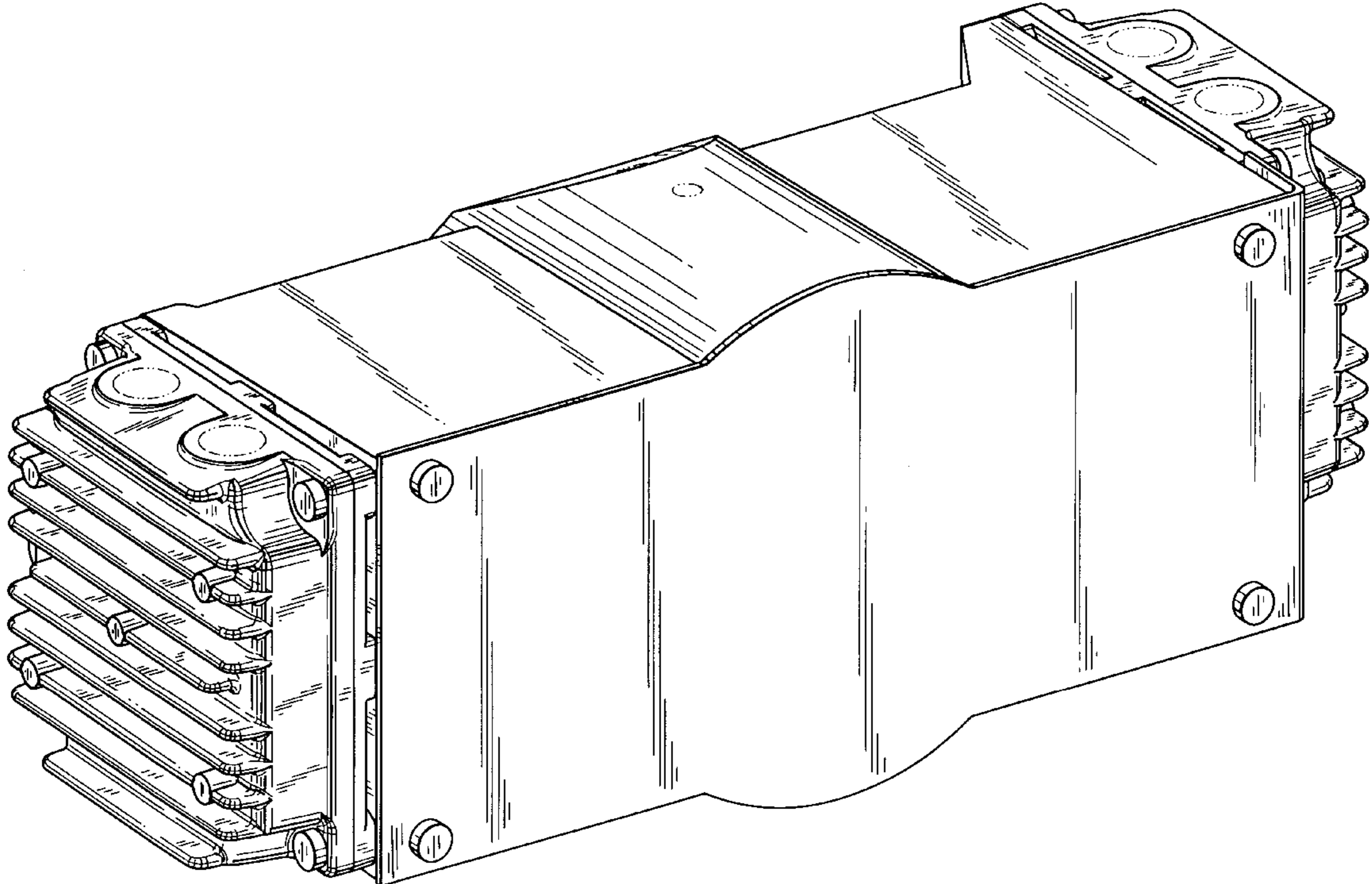
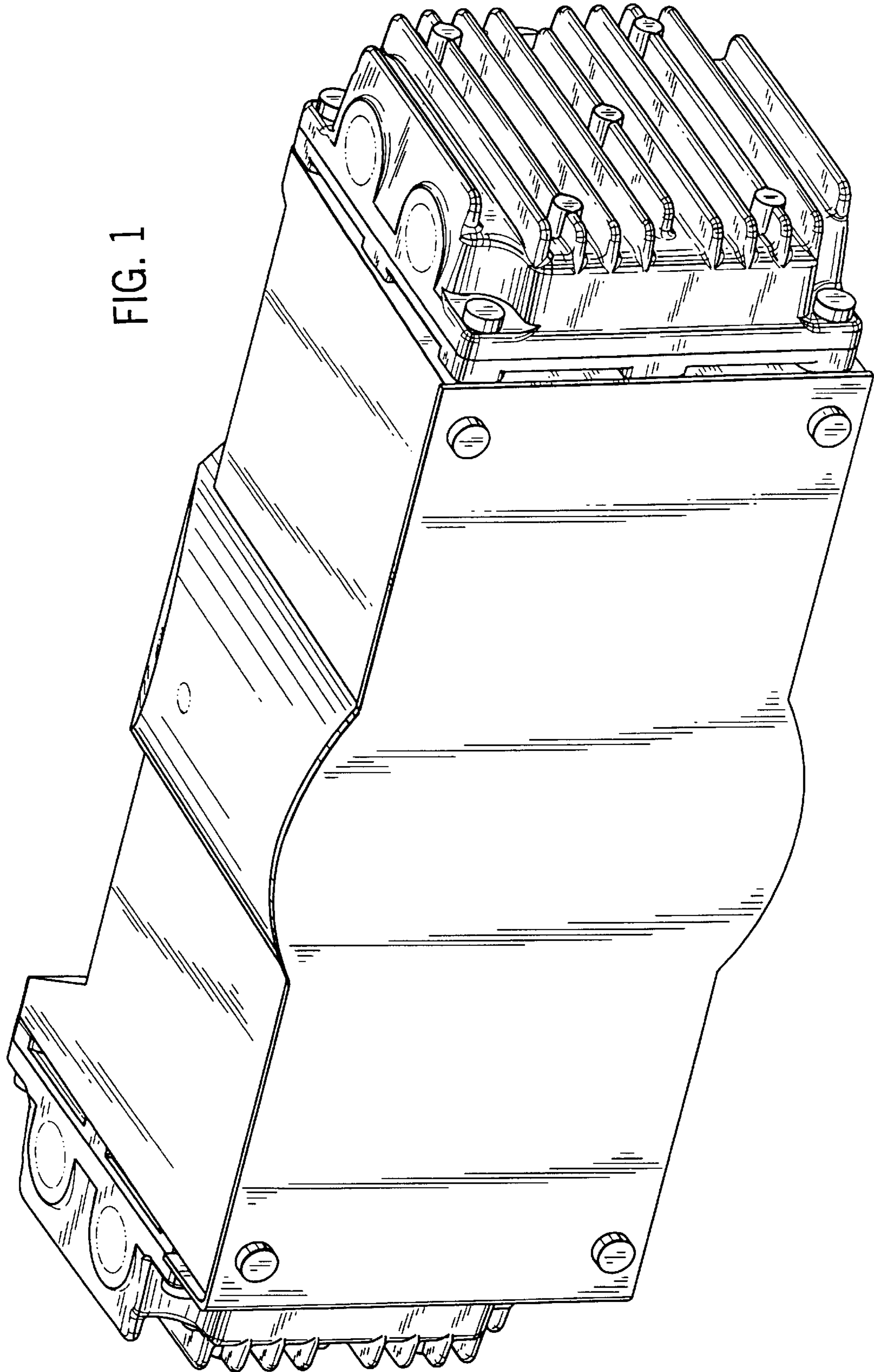


FIG. 1



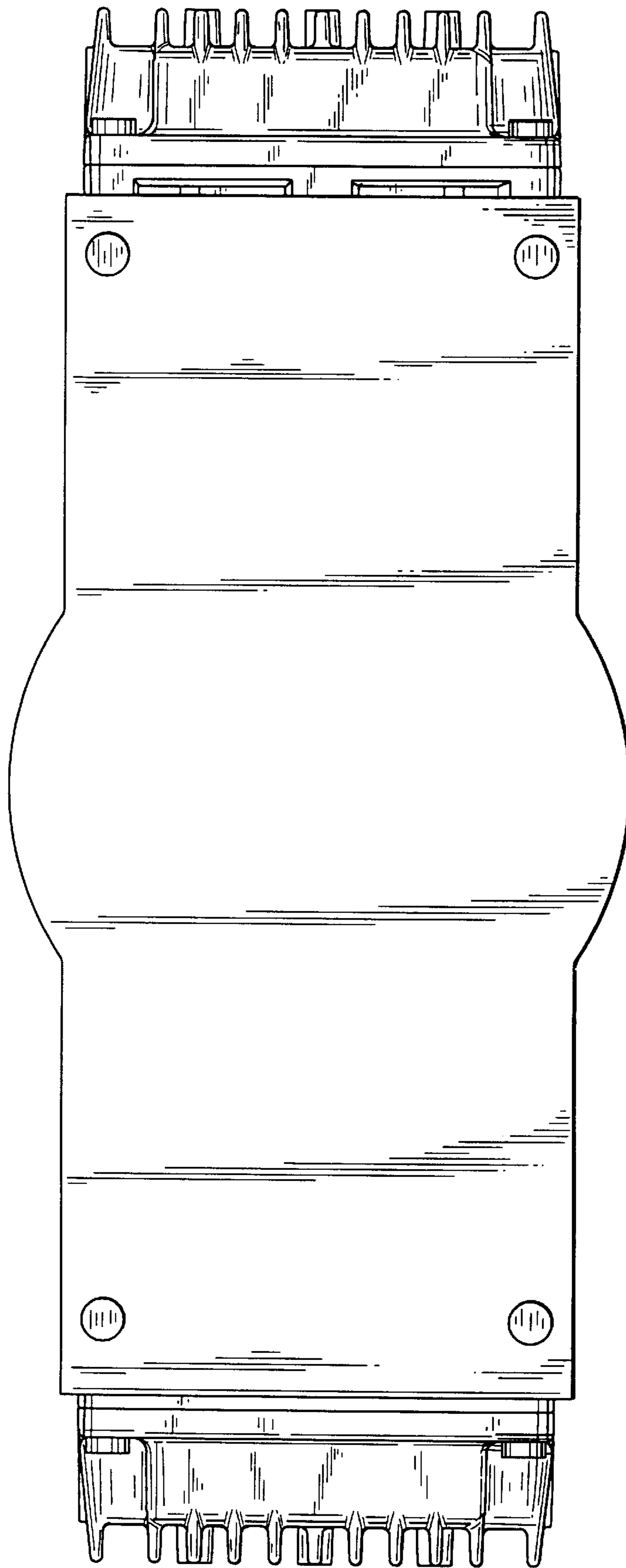


FIG. 2

FIG. 3

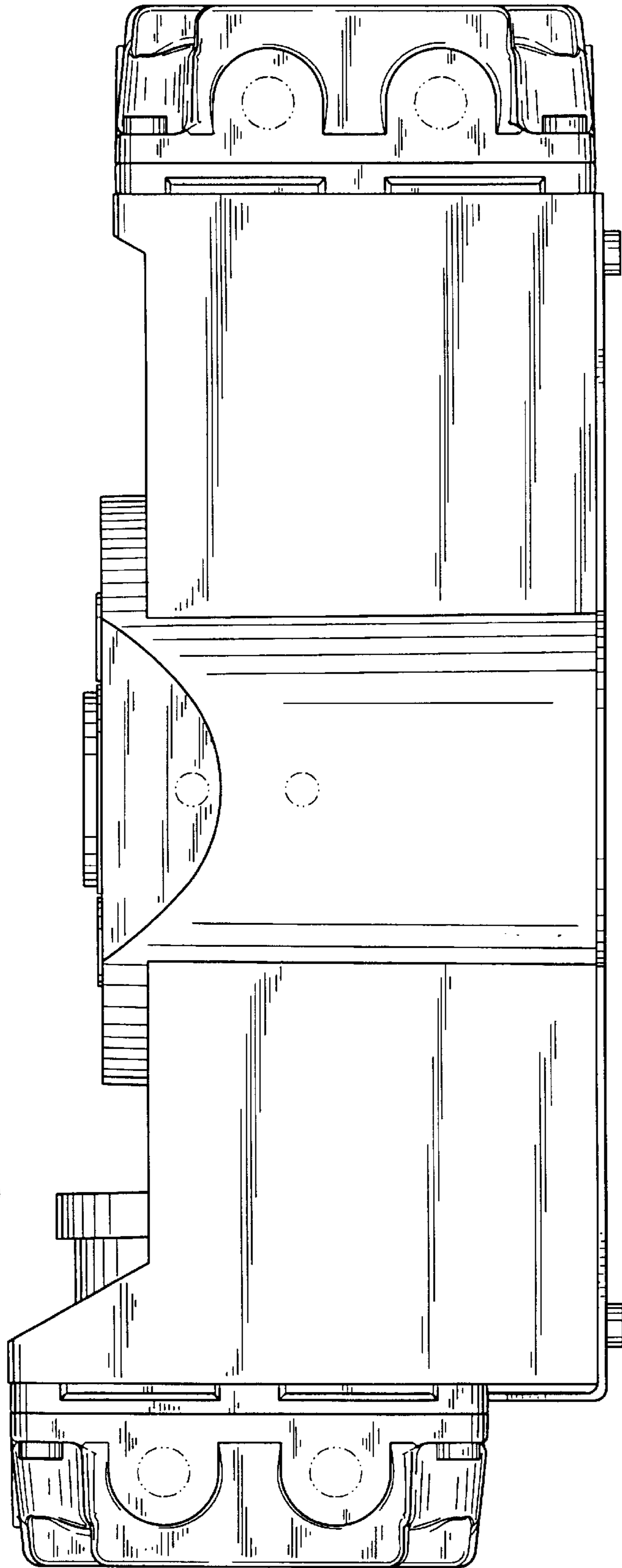


FIG. 4

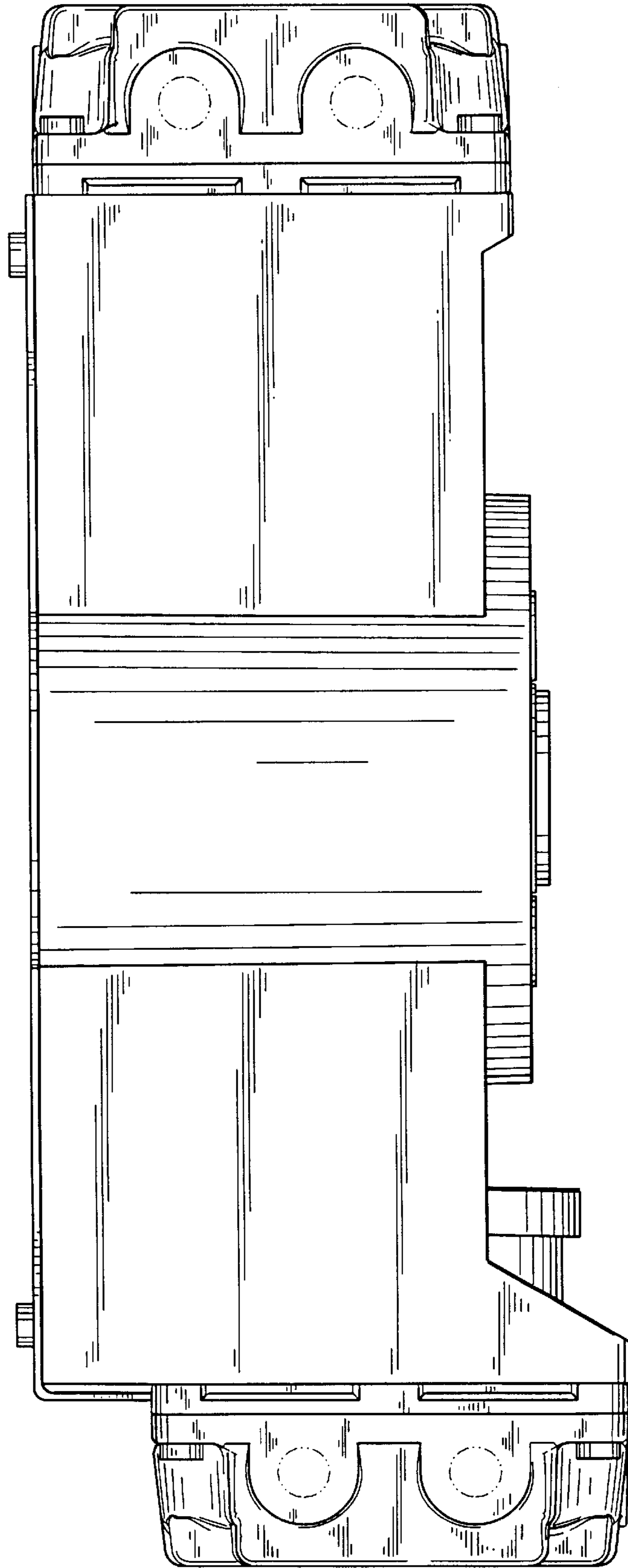


FIG. 5

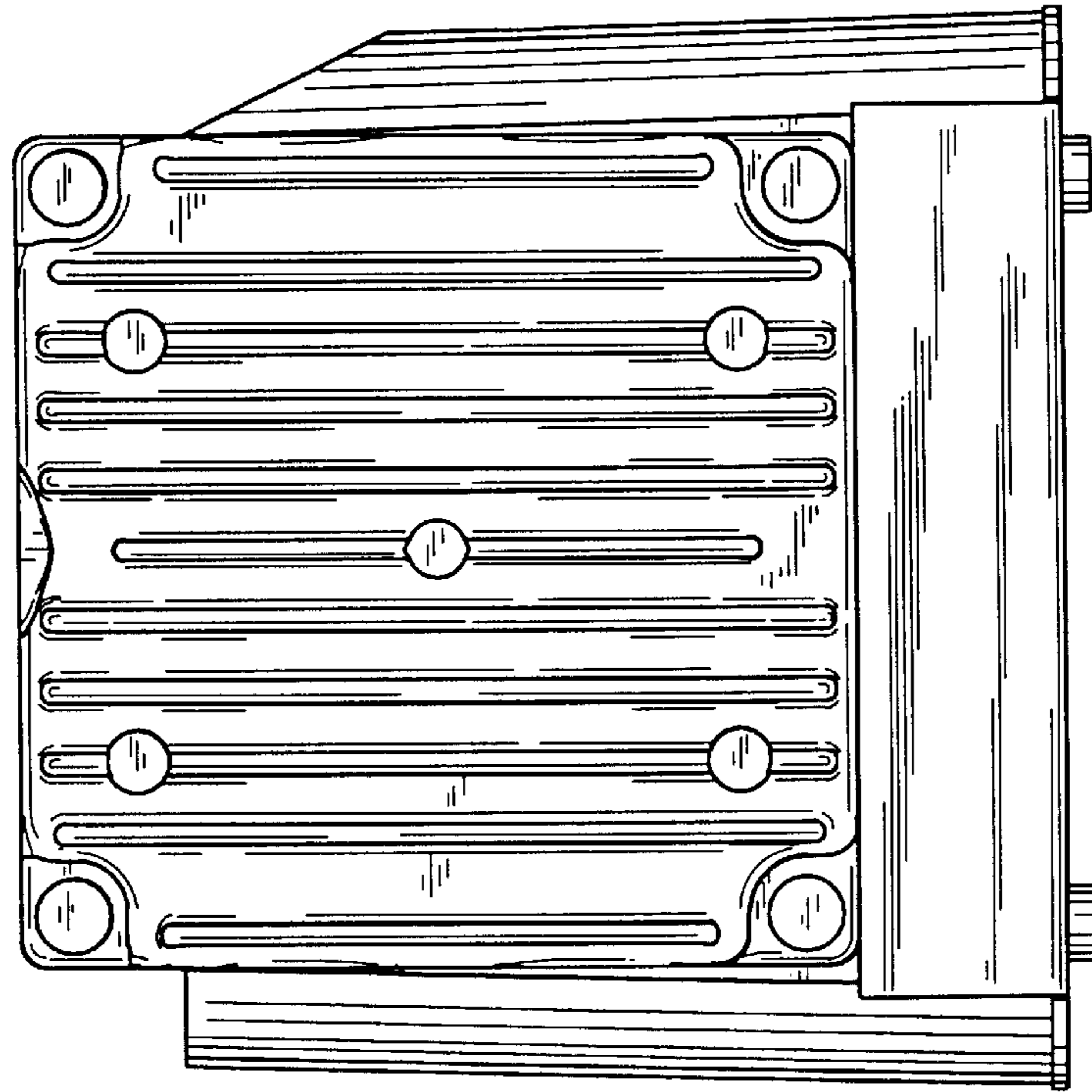
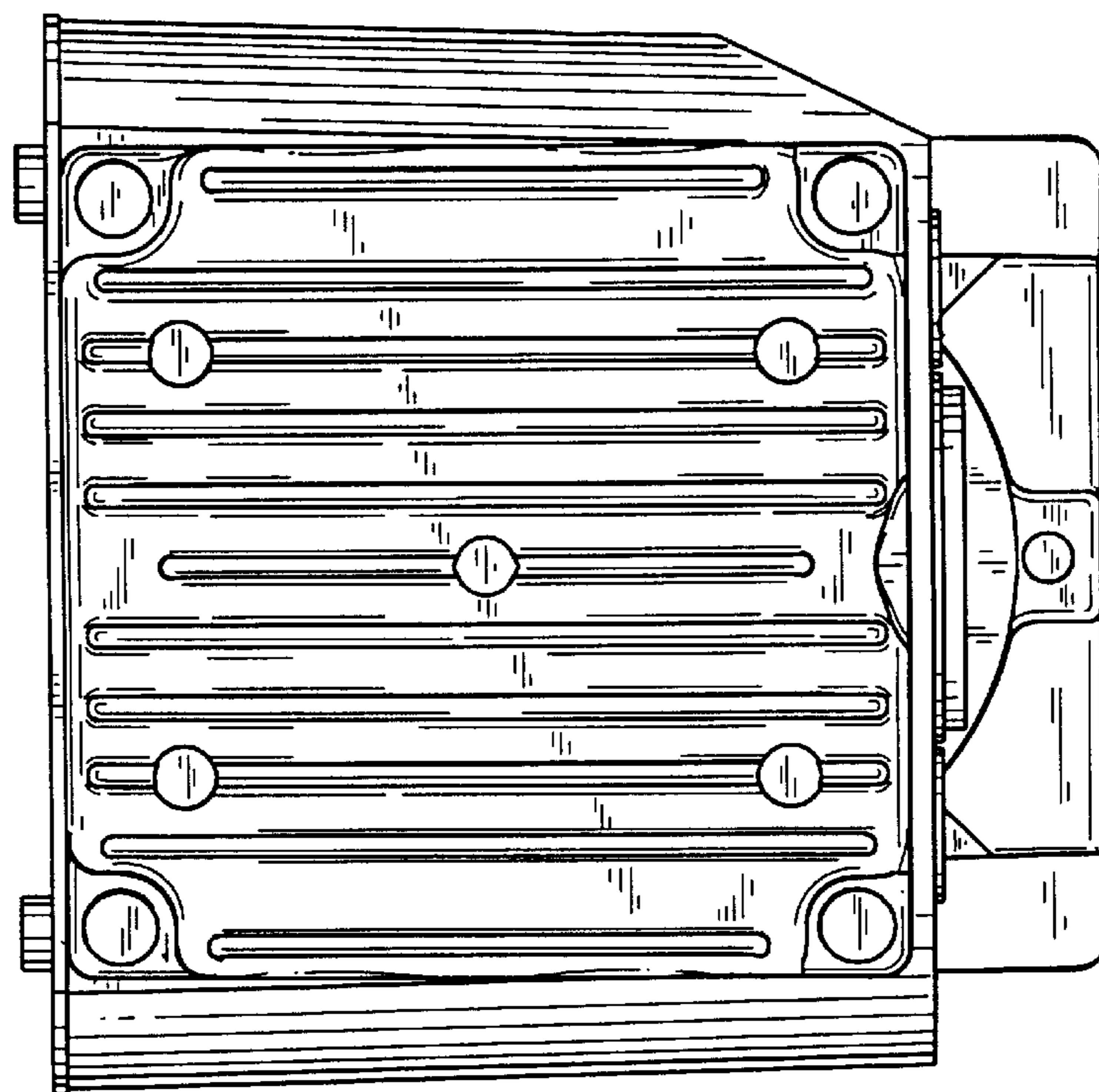


FIG. 6



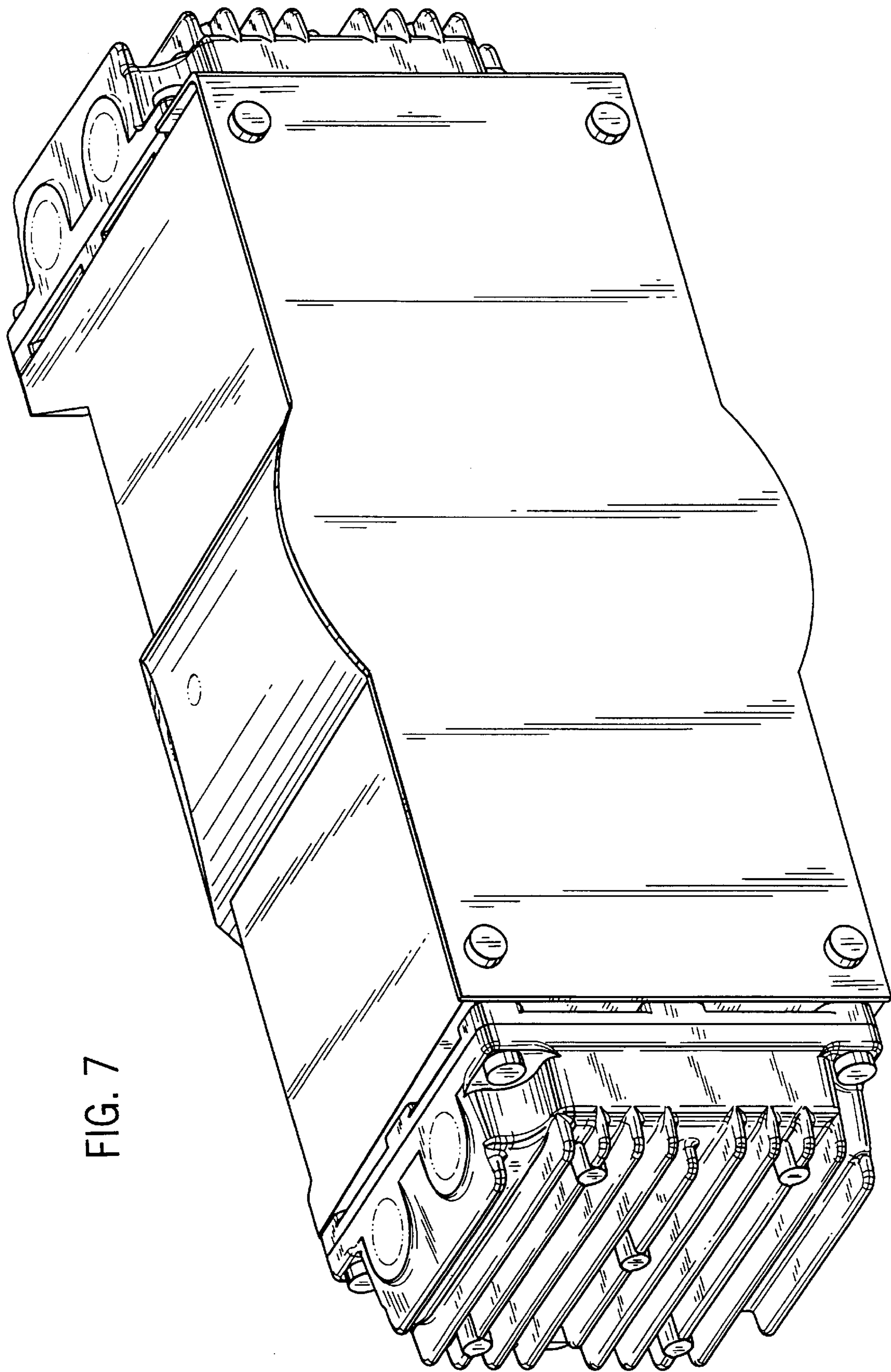


FIG. 7

UNITED STATES PATENT AND TRADEMARK OFFICE
CERTIFICATE OF CORRECTION

PATENT NO. : D399,214
DATED : October 6, 1998
INVENTOR(S) : Craig R. DeRuyter


It is certified that error appears in the above-identified patent and that said Letters Patent is hereby corrected as shown below:

ON THE TITLE PAGE:

Item [56]; References Cited; U.S. PATENT DOCUMENTS:
"D.237,789 11/1975" should read --D.273,789 5/1984--

Signed and Sealed this
Eleventh Day of May, 1999

Attest:



Q. TODD DICKINSON

Attesting Officer

Acting Commissioner of Patents and Trademarks