



US00D399212S

United States Patent [19]
Roderweiss et al.

[11] **Patent Number: Des. 399,212**
[45] **Date of Patent: **Oct. 6, 1998**

[54] **RADIUSED PISTON HEAD**

[75] Inventors: **Ronald W. Roderweiss**, Oak Park;
Frederick P. Hall, Orland Park, both of Ill.

[73] Assignee: **HD Performance Products Inc.**, Cicero, Ill.

[**] Term: **14 Years**

[21] Appl. No.: **50,162**

[22] Filed: **Feb. 9, 1996**

[51] **LOC (6) Cl.** **15-01**

[52] **U.S. Cl.** **D15/5**

[58] **Field of Search** D15/5; 123/193.1, 123/193.6, 47 A, 47 R, 50 A, 50 B, 41.35

[56] **References Cited**

U.S. PATENT DOCUMENTS

D. 287,599	1/1987	Murray	D15/5
4,111,104	9/1978	Davison, Jr.	.	
4,245,611	1/1981	Mitchell et al.	.	
4,342,291	8/1982	Lewis	.	
4,445,467	5/1984	Westerman et al.	.	
4,487,179	12/1984	Hercher	.	
4,541,377	9/1985	Amos	123/193.6
4,669,431	6/1987	Simay	123/193.6

FOREIGN PATENT DOCUMENTS

0960528	1/1975	Canada	123/193.6
960528	1/1975	Canada	.	
2105439	3/1983	United Kingdom	123/193.6

OTHER PUBLICATIONS

More Bang for your Baby, *Big Twin*, Spring 1996, p. 92.
Freiburger, Operation Rumble Bee, Part 2: 30 Years and 750 Horsepower, *Hot Rod*, Jan. 1996, pp. 58-63.

Primary Examiner—Louis S. Zarfes
Assistant Examiner—Frank Martinez
Attorney, Agent, or Firm—Banner & Witcoff, Ltd.

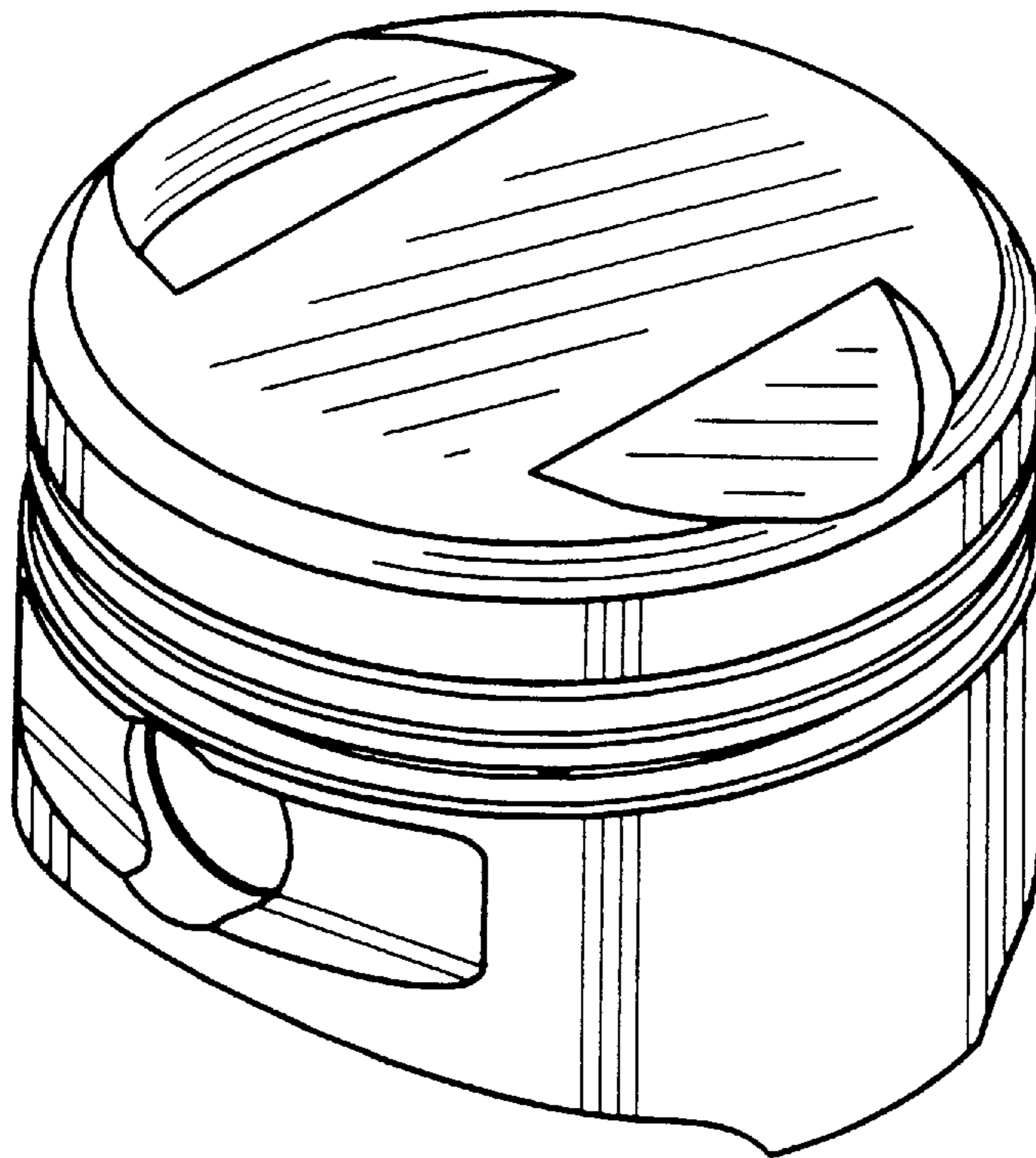
[57] **CLAIM**

The ornamental design for a radiused piston head, as shown.

DESCRIPTION

FIG. 1 is a top perspective view;
FIG. 2 is a bottom perspective view;
FIG. 3 is a top plan view;
FIG. 4 is a bottom plan view;
FIG. 5 is a side view;
FIG. 6 is a side view;
FIG. 7 is a side view; and,
FIG. 8 is a side view.

1 Claim, 4 Drawing Sheets



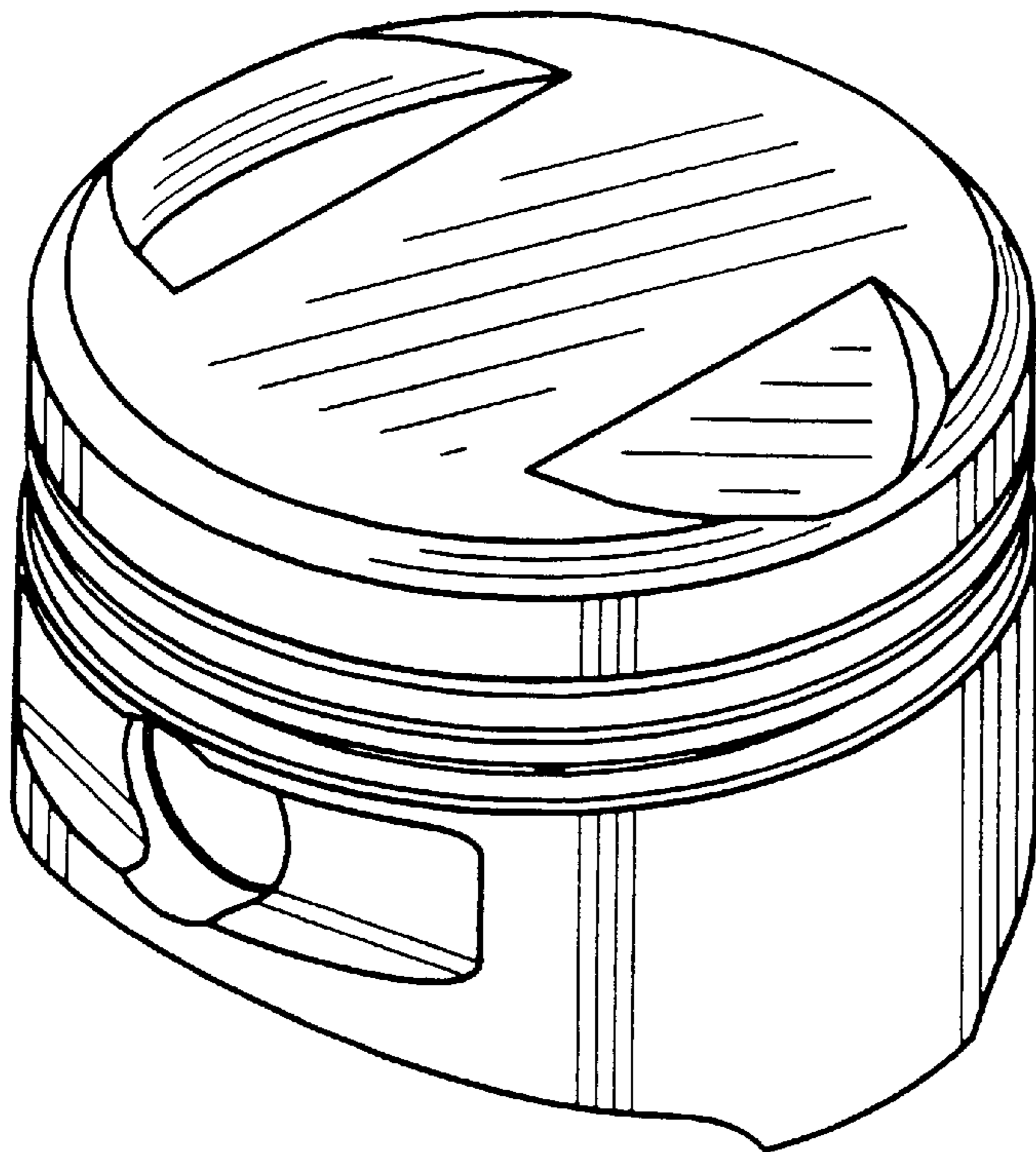


Fig. 1

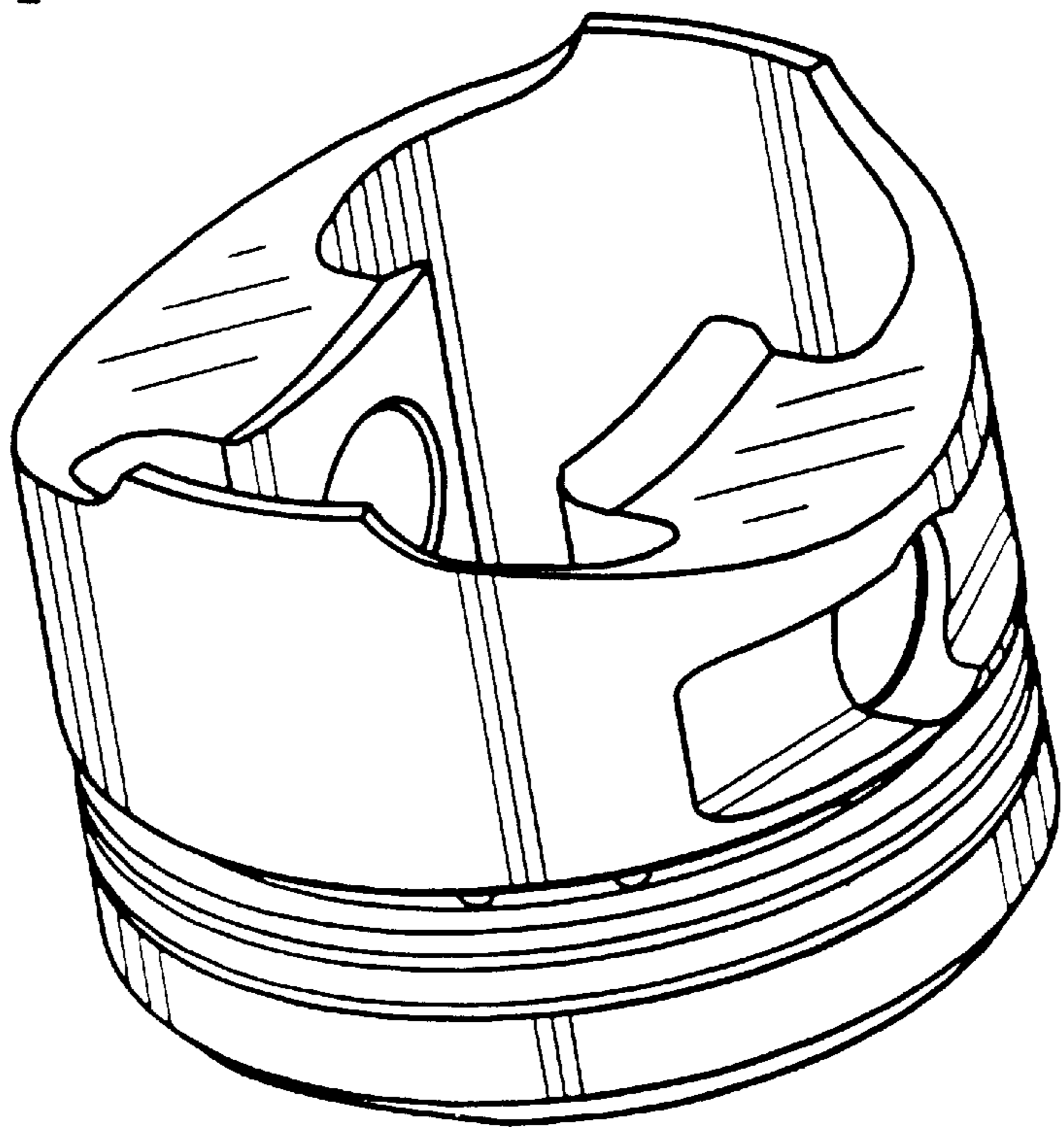


Fig. 2

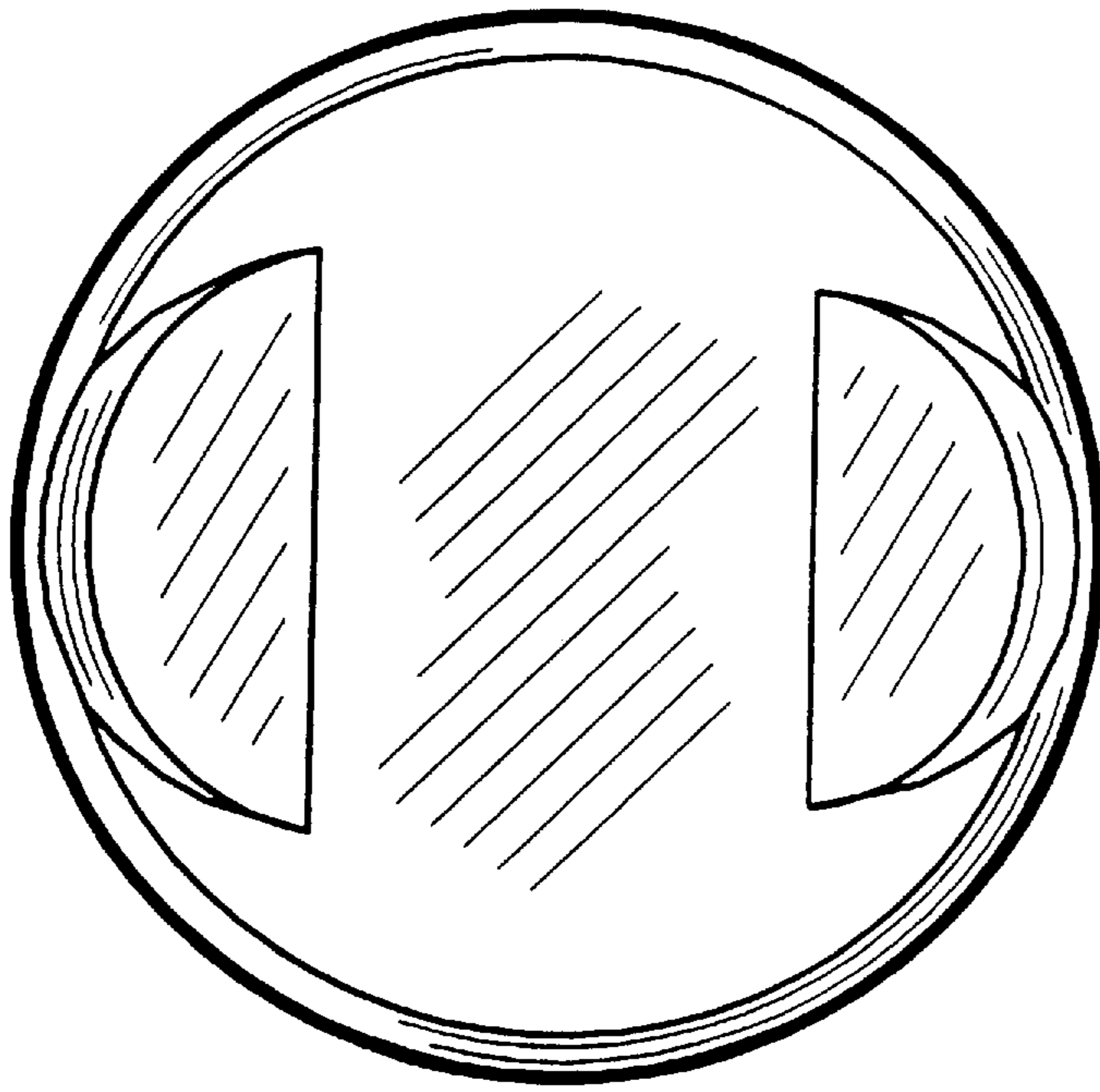


Fig. 3

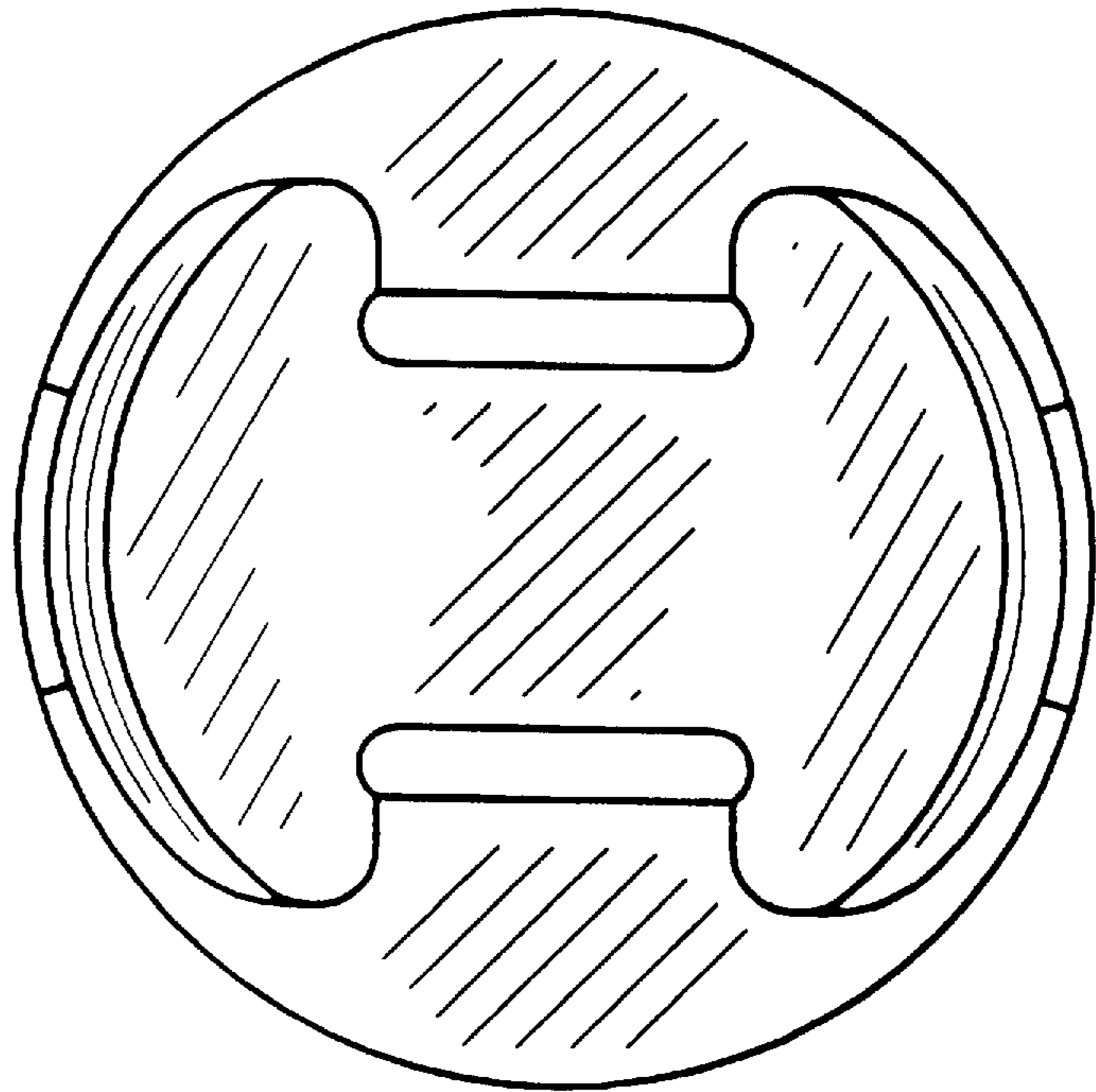


Fig. 4

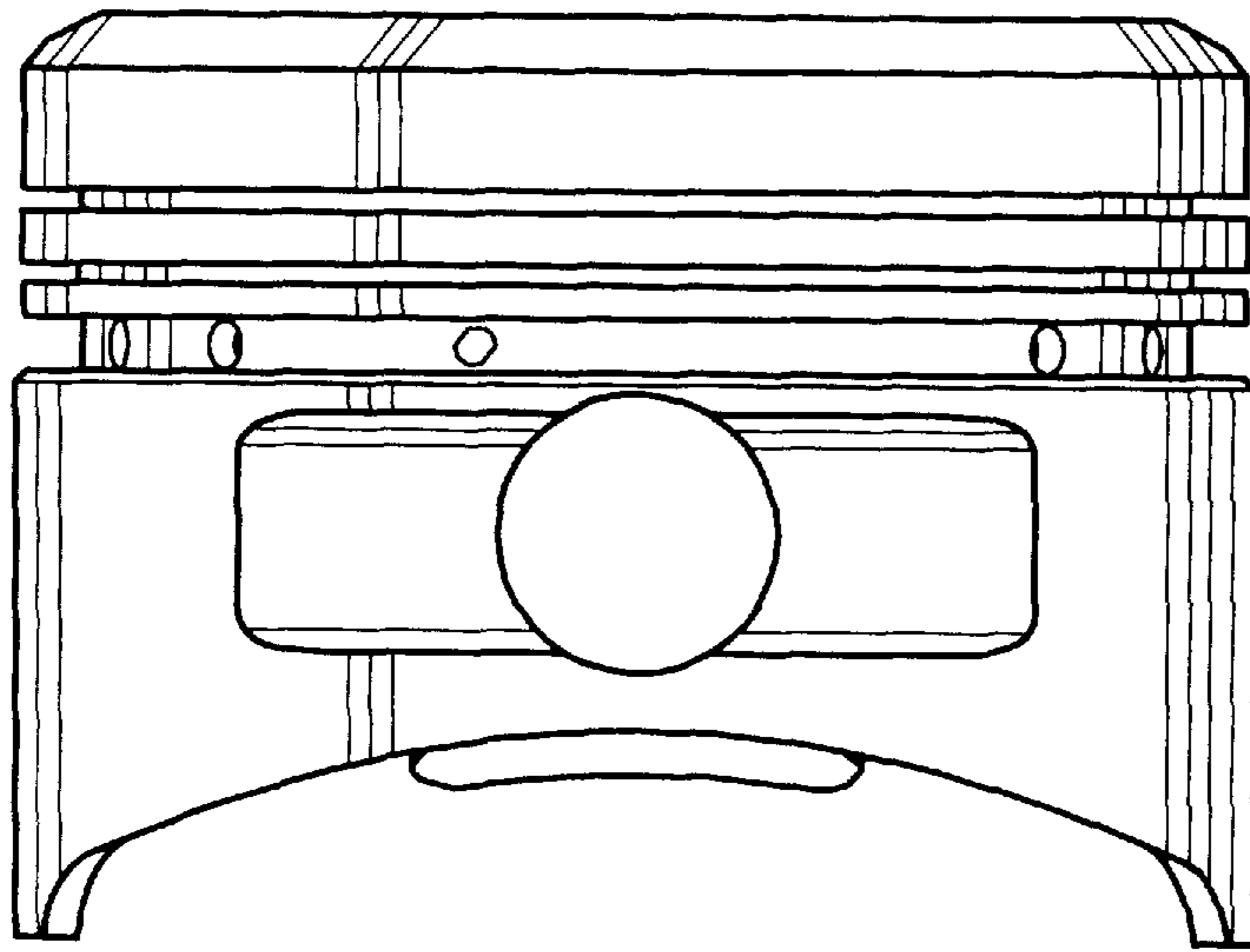


Fig. 5

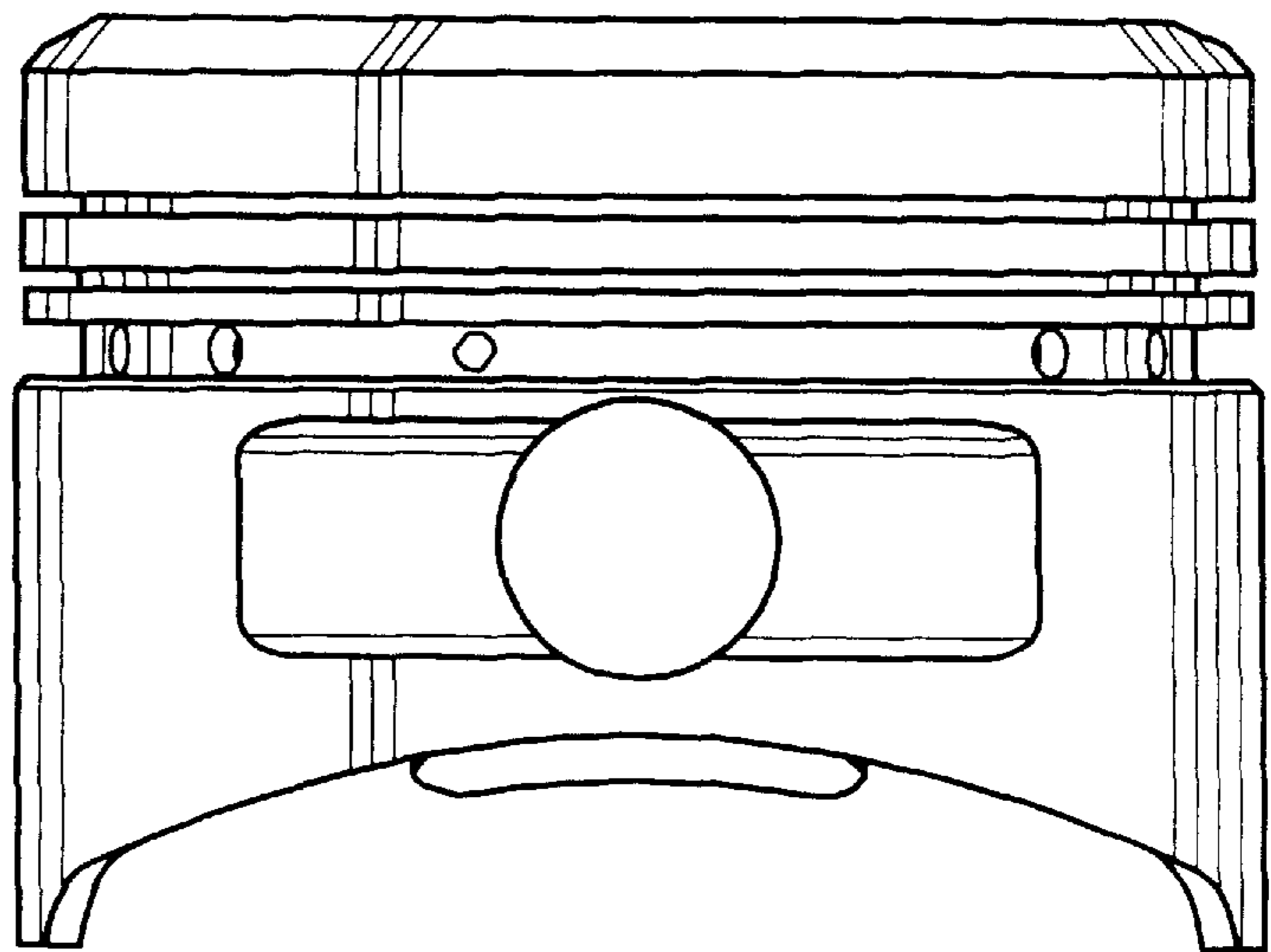


Fig. 6

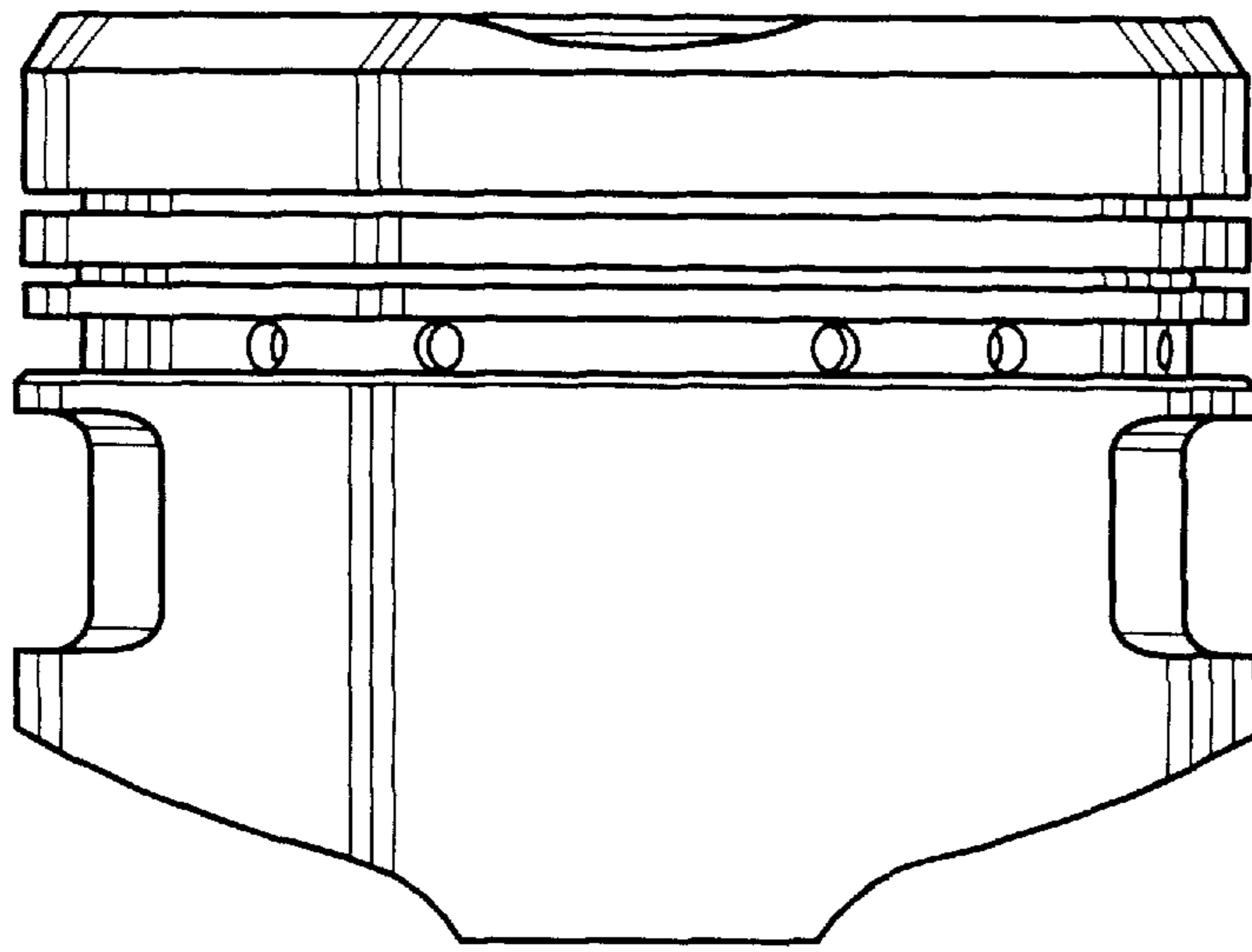


Fig. 7

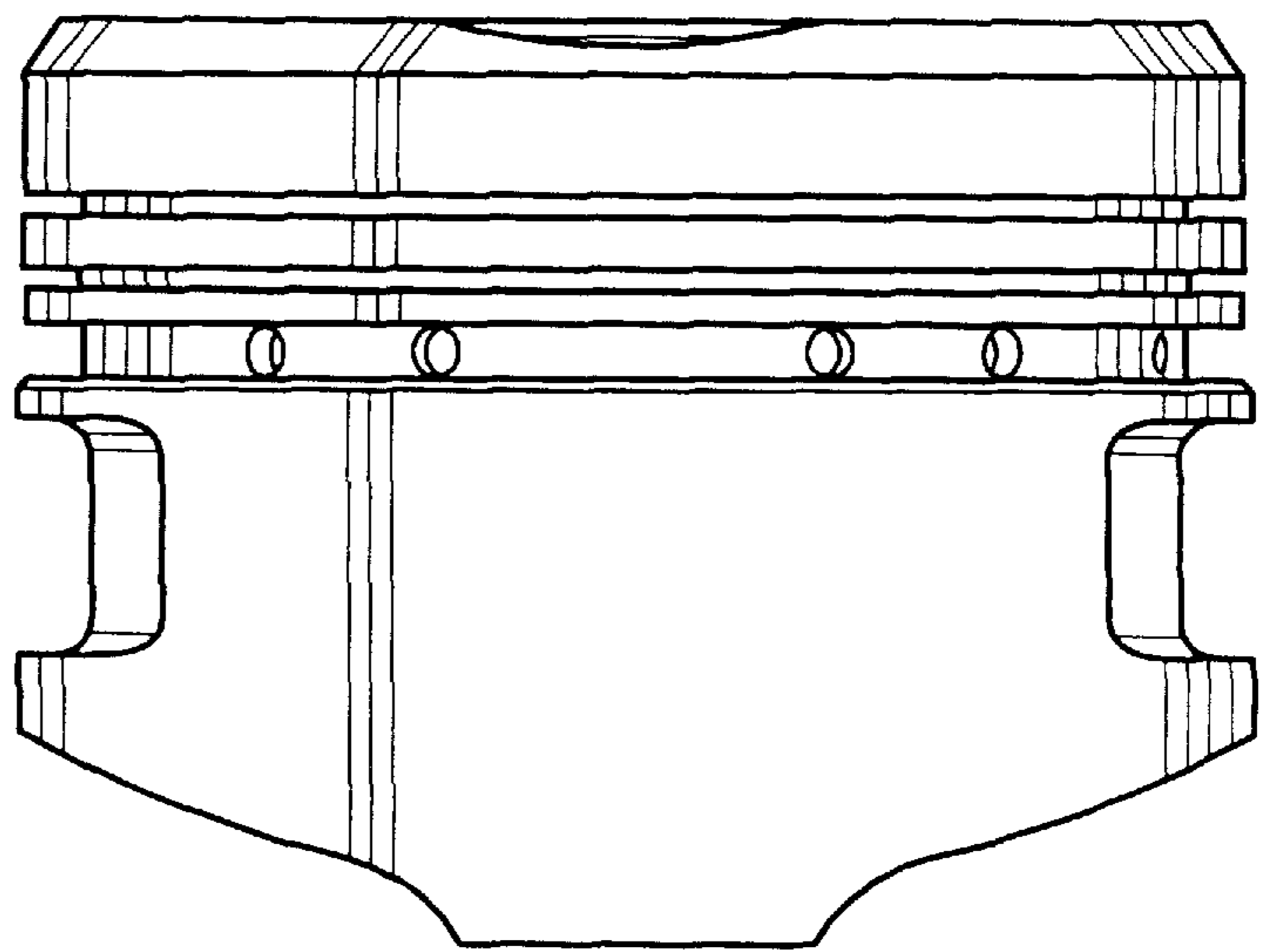


Fig. 8