



US00D399211S

United States Patent [19] Cockson

[11] **Patent Number:** **Des. 399,211**
[45] **Date of Patent:** ****Oct. 6, 1998**

[54] **ANTENNA**

[75] **Inventor:** **Mark G. Cockson**, Roca, Nebr.

[73] **Assignee:** **Centurion International, Inc.**, Lincoln, Nebr.

[**] **Term:** **14 Years**

[21] **Appl. No.:** **71,602**

[22] **Filed:** **Jun. 3, 1997**

[51] **LOC (6) Cl.** **14-03**

[52] **U.S. Cl.** **D14/233**

[58] **Field of Search** D14/230-238,
D14/204, 299; 343/781 R, 824-825, 872-873,
878, 888-890, 907-908, 912, DIG. 2, 713,
715, 700 R

[56] **References Cited**

U.S. PATENT DOCUMENTS

- D. 259,115 5/1981 Steinhofer et al. D14/234
- D. 271,766 12/1983 Eckmann et al. D14/233
- D. 290,121 6/1987 Claxton D14/233
- D. 321,693 11/1991 Mailandt D14/238
- D. 325,384 4/1992 Cooper D14/234

- D. 325,385 4/1992 Cooper D14/234
- D. 356,314 3/1995 Rich et al. D14/236
- D. 367,480 2/1996 Bacnik D14/234
- D. 391,966 12/1996 Mischenko et al. D14/230

Primary Examiner—Ruth McInroy
Attorney, Agent, or Firm—Zarley, McKee, Thomte, Voorhees & Sease; Dennis L. Thomte

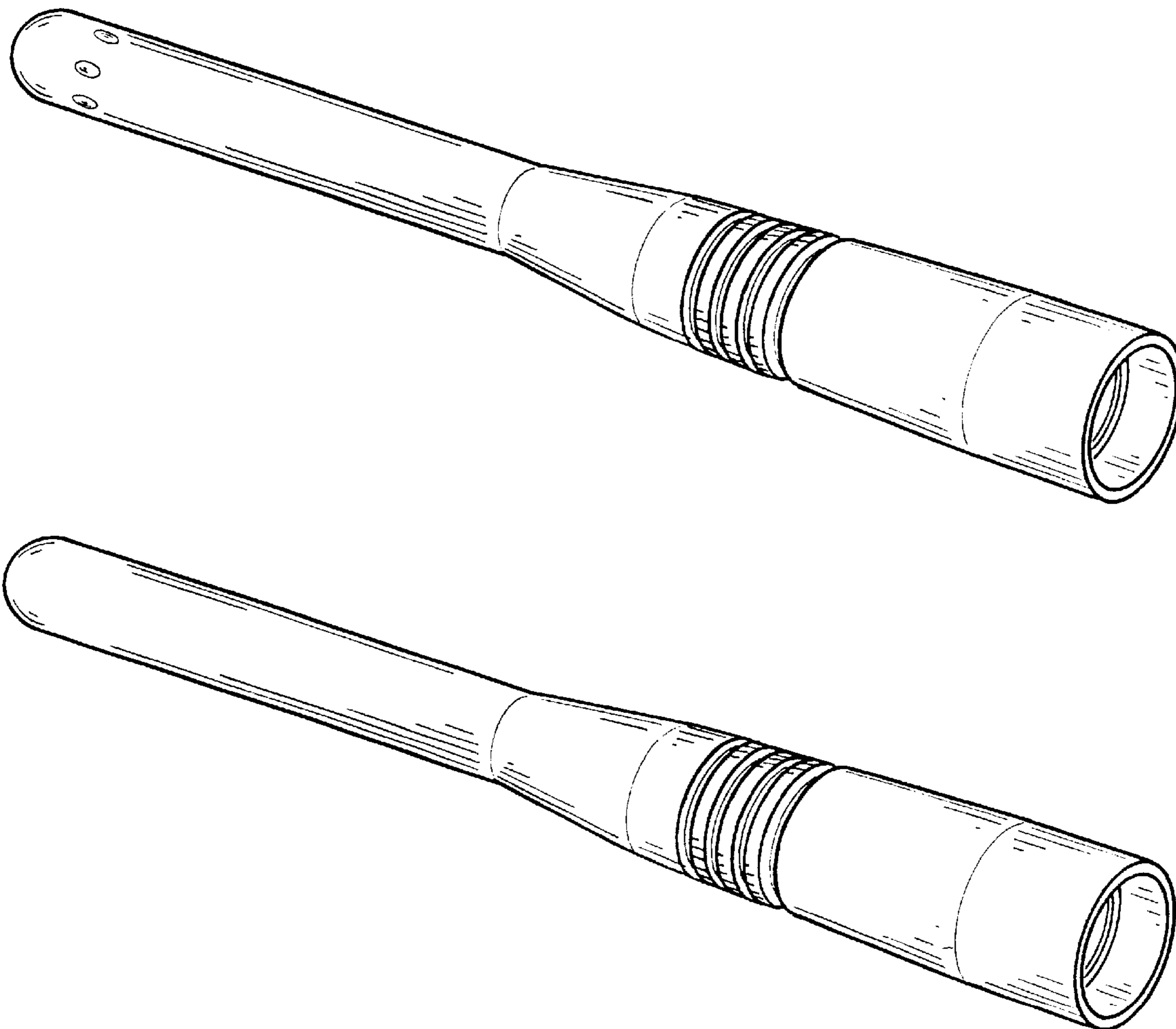
[57] **CLAIM**

The ornamental design for an antenna, as shown.

DESCRIPTION

FIG. 1 is a perspective view of one embodiment of an antenna showing my new design;
 FIG. 2 is a side elevational view of FIG. 1, all other sides being identical;
 FIG. 3 is a bottom view of the antenna of FIG. 1;
 FIG. 4 is a top view of the antenna of FIG. 1;
 FIG. 5 is a perspective view of a second embodiment thereof;
 FIG. 6 is a side elevational view of FIG. 5, all other sides being identical;
 FIG. 7 is a bottom view of the antenna of FIG. 5; and,
 FIG. 8 is a top view of the antenna of FIG. 5.

1 Claim, 2 Drawing Sheets



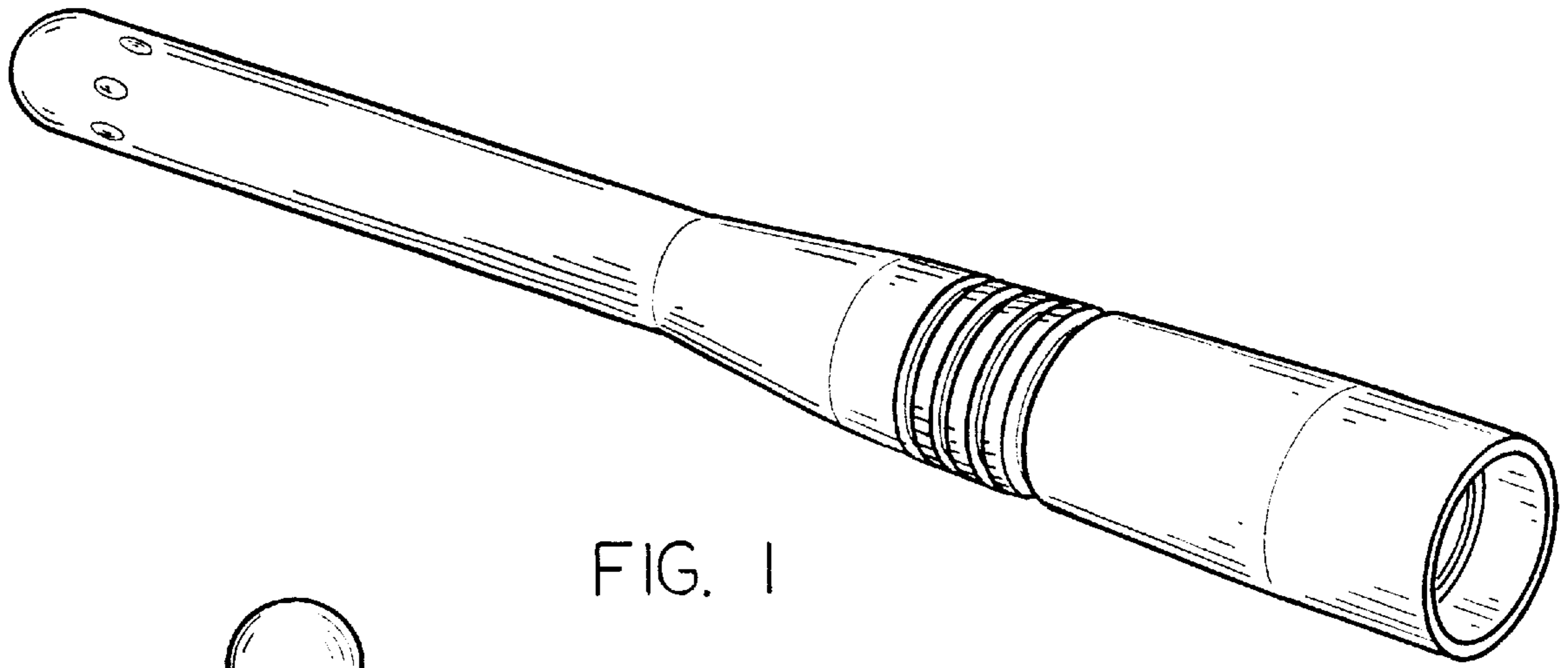


FIG. 1

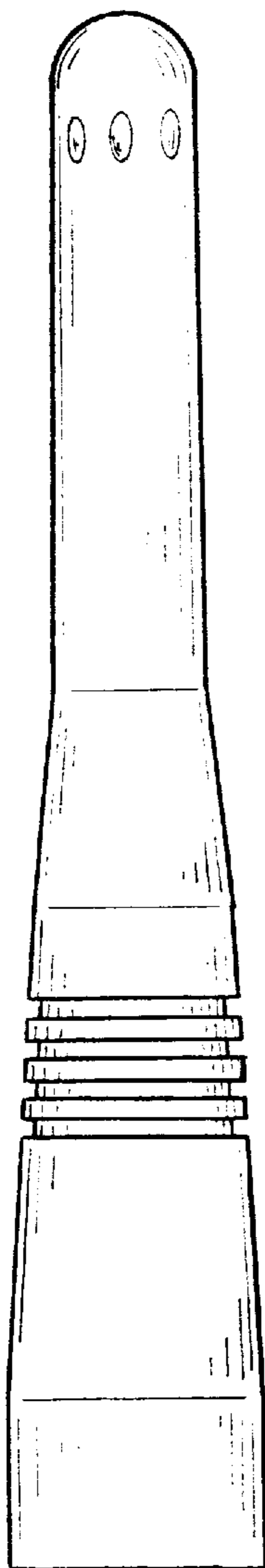


FIG. 2

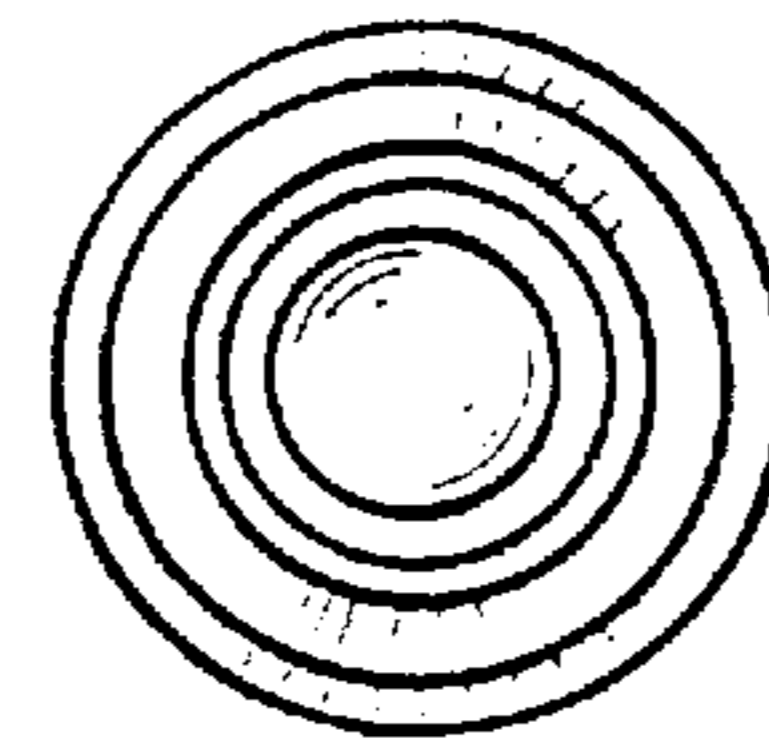


FIG. 3

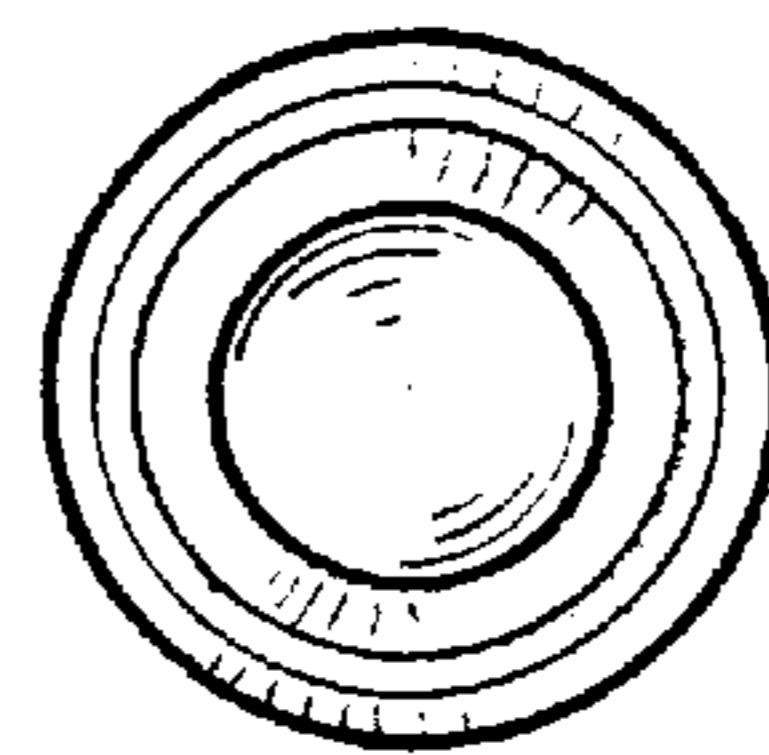


FIG. 4

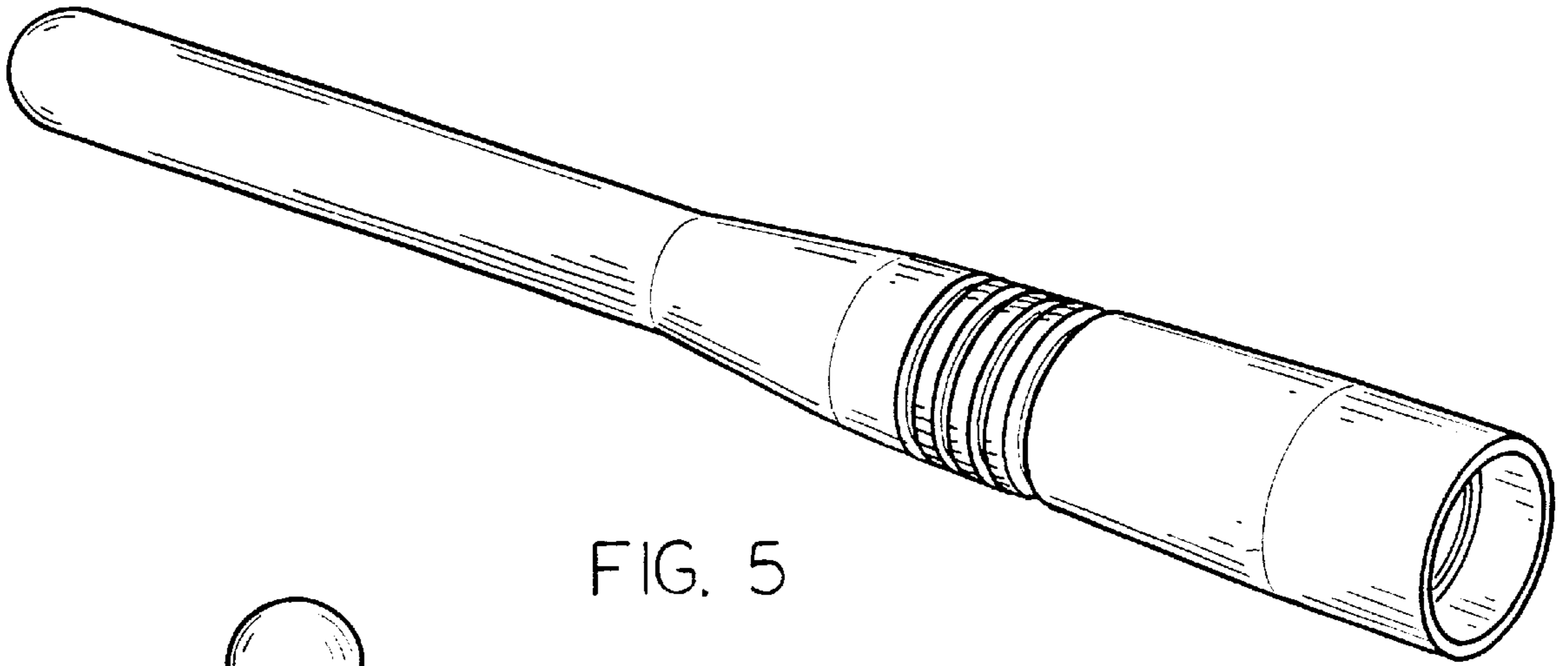


FIG. 5

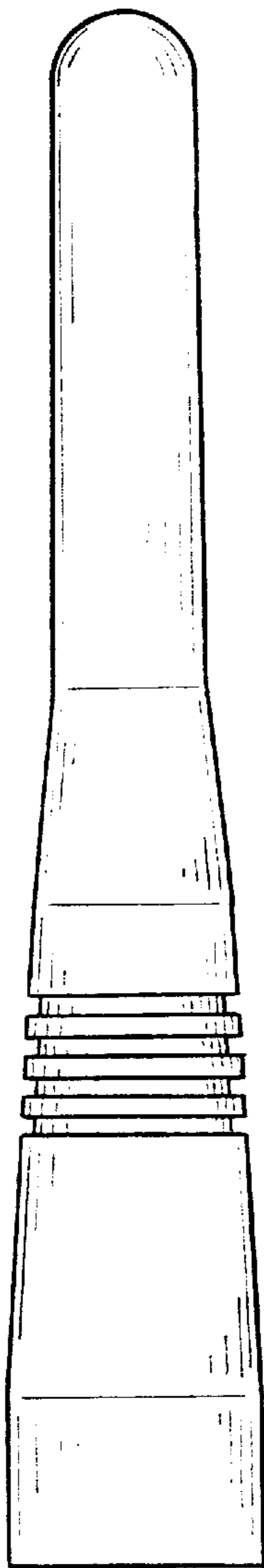


FIG. 6

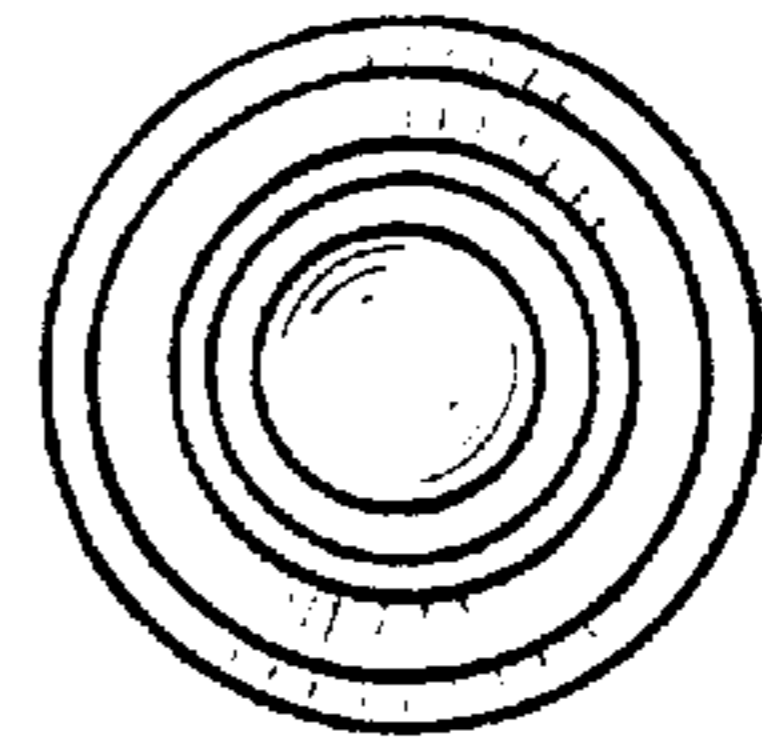


FIG. 7

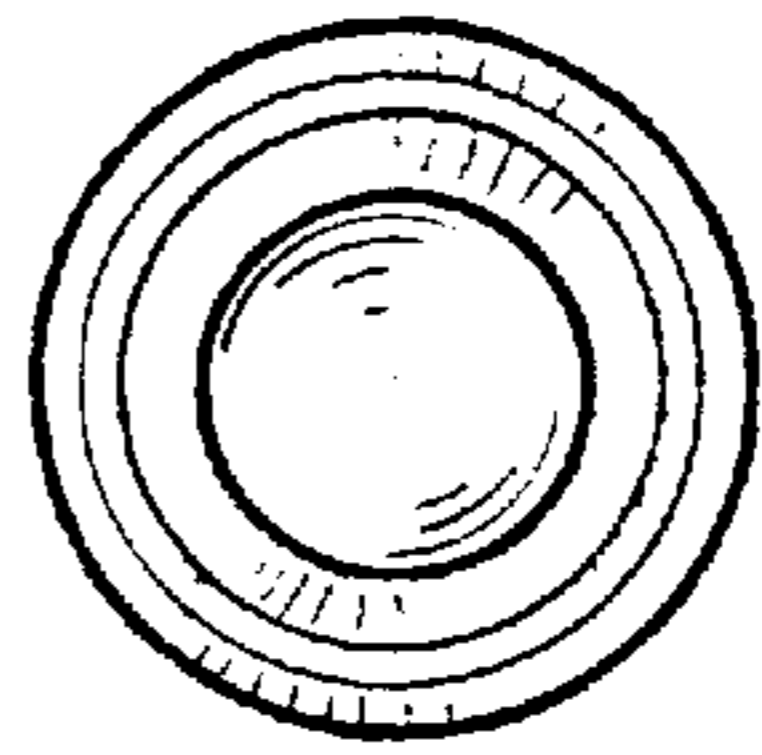


FIG. 8