



US00D399210S

United States Patent [19]

Rozier et al.

[11] **Patent Number: Des. 399,210**

[45] **Date of Patent: **Oct. 6, 1998**

[54] **LOUDSPEAKER STAND**

3,415,475 12/1968 Goodman D6/495 X
3,643,604 2/1972 Jones et al. 108/5

[75] Inventors: **Charles Rozier; James Petronio**, both of New York, N.Y.

Primary Examiner—Sandra L. Morris
Assistant Examiner—Nanda Bondade
Attorney, Agent, or Firm—Saidman DesignLaw Group

[73] Assignee: **Boston Acoustics, Inc.**, Peabody, Mass.

[**] Term: **14 Years**

[57] CLAIM

[21] Appl. No.: **59,101**

The ornamental design for a loudspeaker stand, as shown and described.

[22] Filed: **Sep. 3, 1996**

DESCRIPTION

[51] **LOC (6) Cl.** **14-01**

FIG. 1 is a perspective view of a loudspeaker stand showing our new design;

[52] **U.S. Cl.** **D14/224**

FIG. 2 is another perspective view thereof;

[58] **Field of Search** D6/449, 495; D14/221, D14/224, 229, 299; 108/5, 6; 248/176.1, 346.01

FIG. 3 is a top view thereof;

FIG. 4 is a bottom view thereof;

FIG. 5 is a front view thereof;

FIG. 6 is a rear view thereof;

FIG. 7 is a left side view thereof; and,

FIG. 8 is a right side view thereof.

[56] References Cited

U.S. PATENT DOCUMENTS

- D. 68,679 11/1925 Van Guilder D14/224
- D. 230,682 3/1974 Stamm D6/495
- D. 332,711 1/1993 Olson D6/449
- D. 337,903 8/1993 Shelton, Jr. D6/449 X

The broken lines are environmental only and form no part of the claimed design.

1 Claim, 3 Drawing Sheets

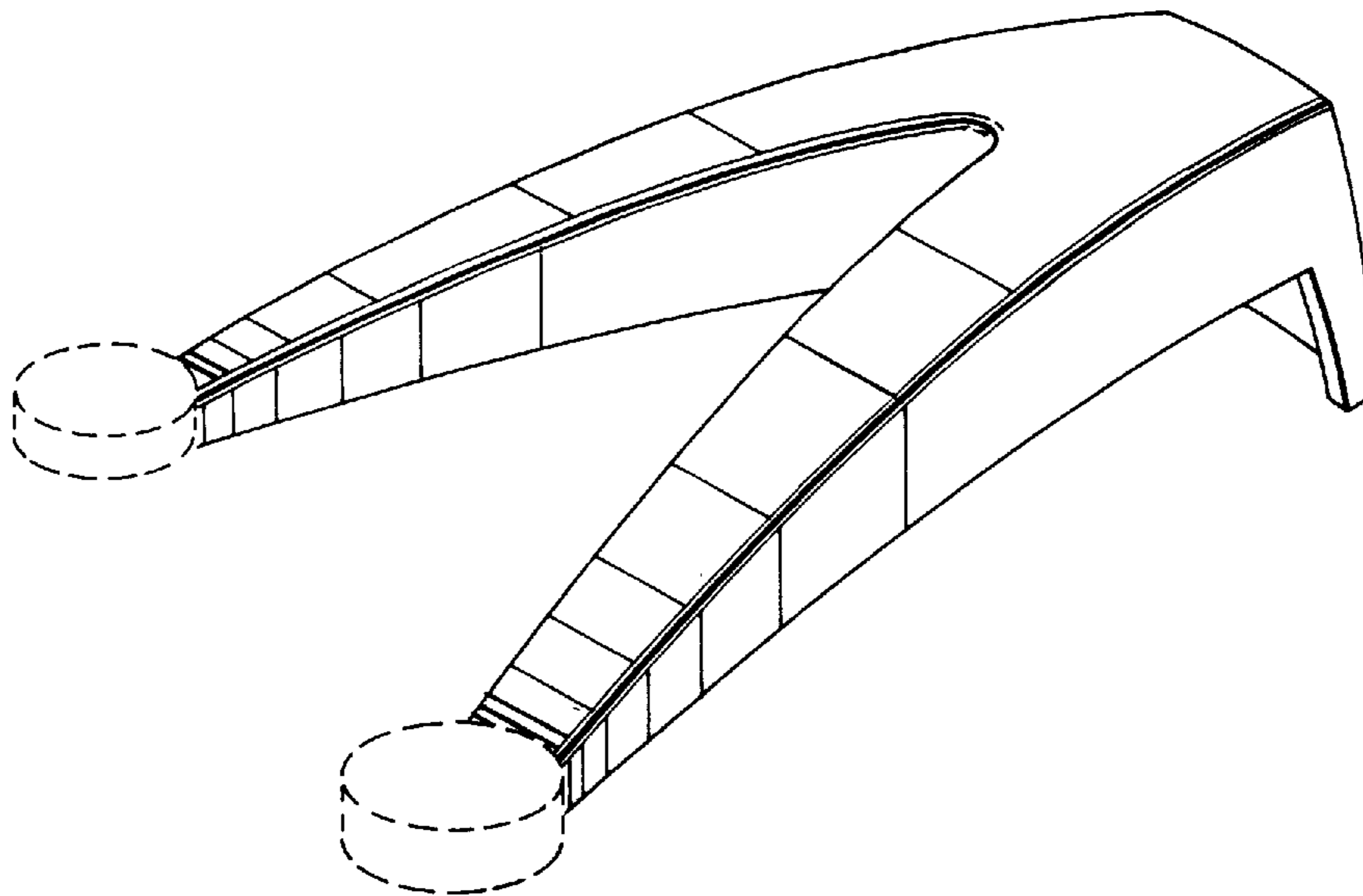


FIG. 1

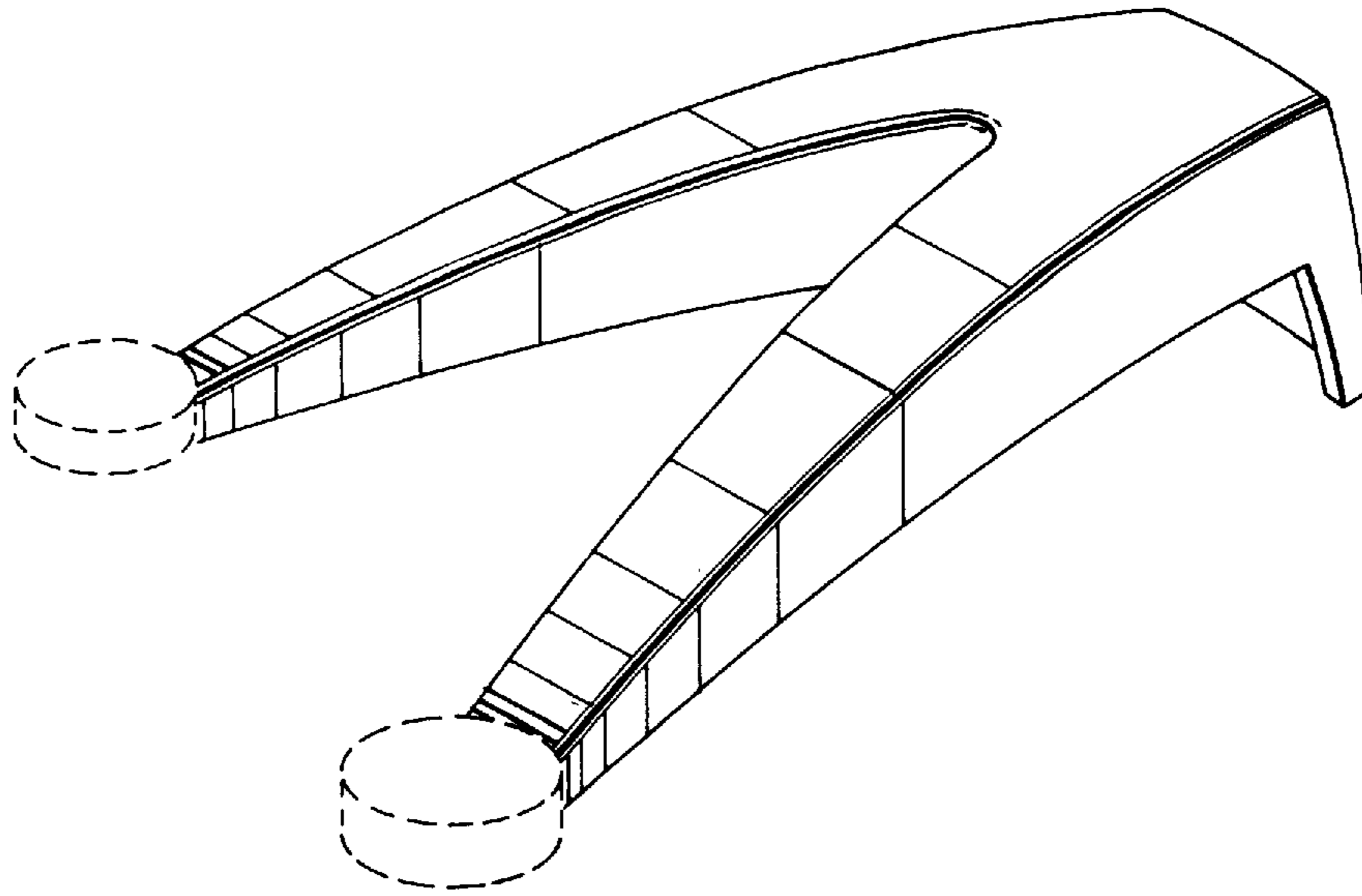


FIG. 2

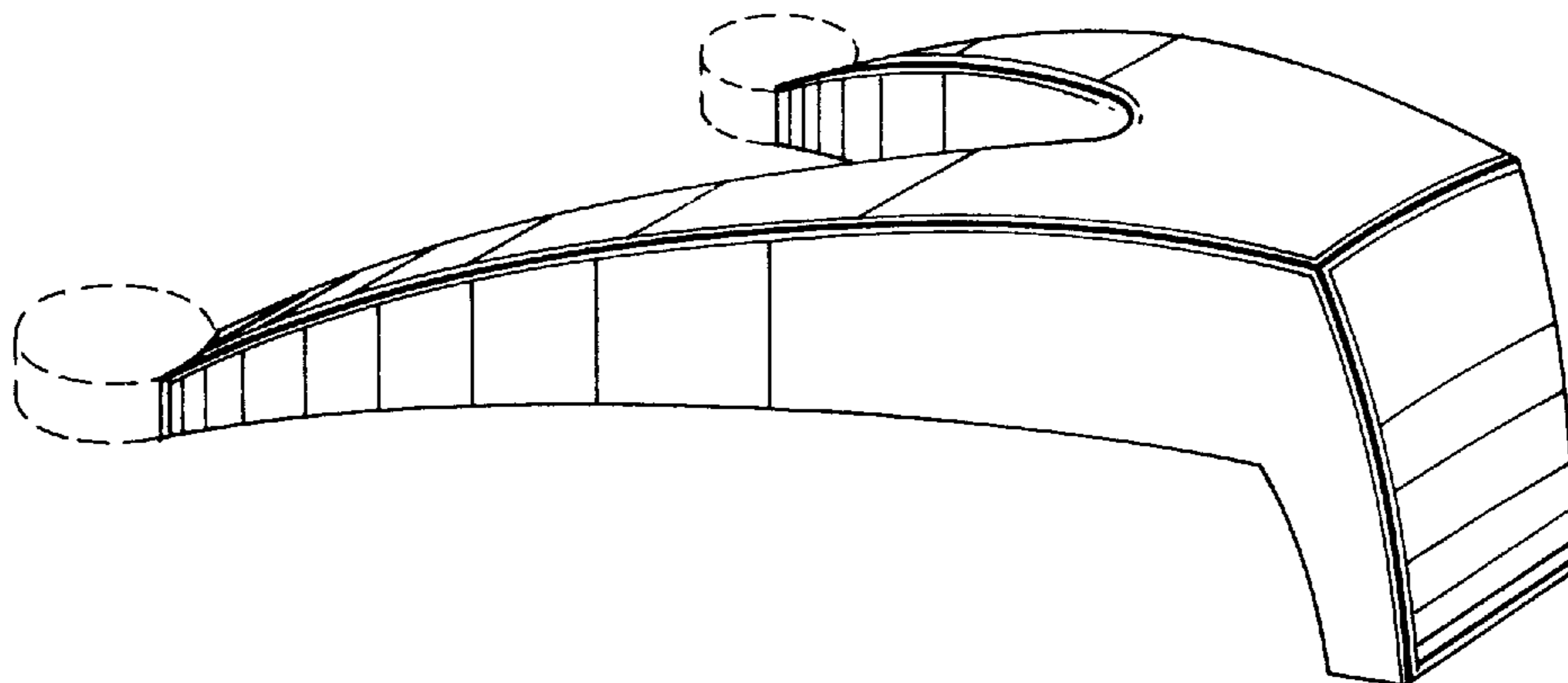


FIG. 3

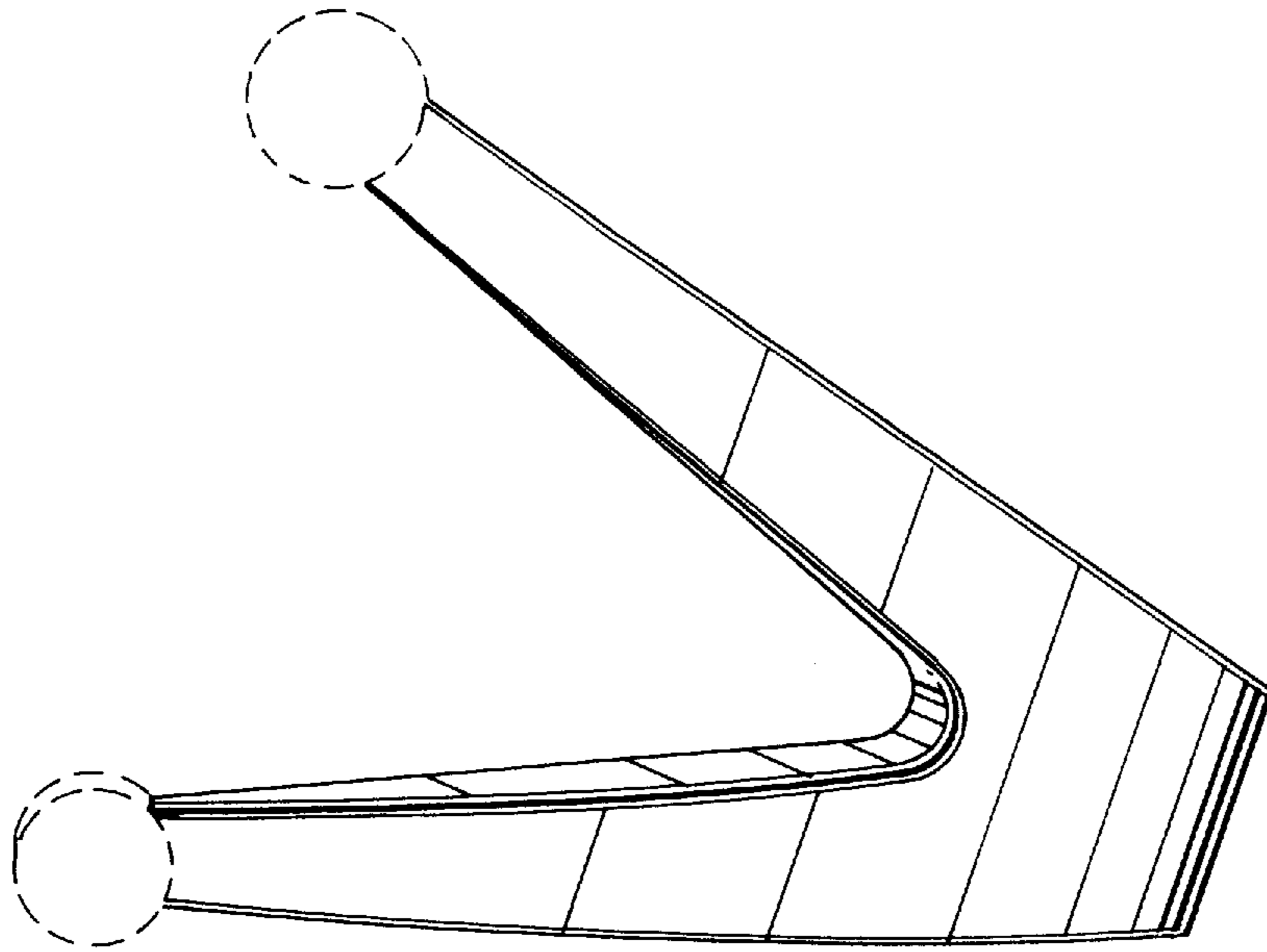


FIG. 4

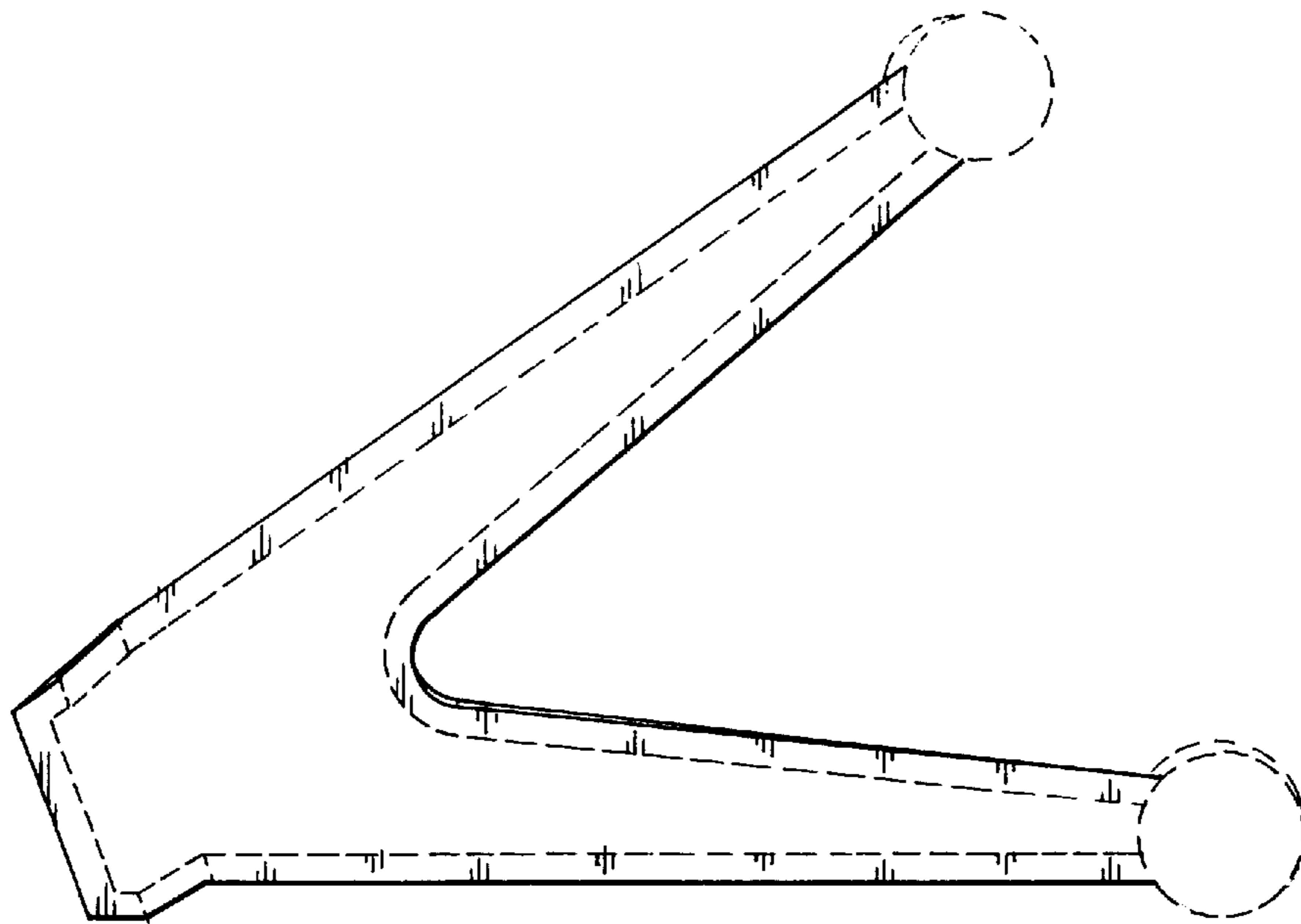


FIG. 5

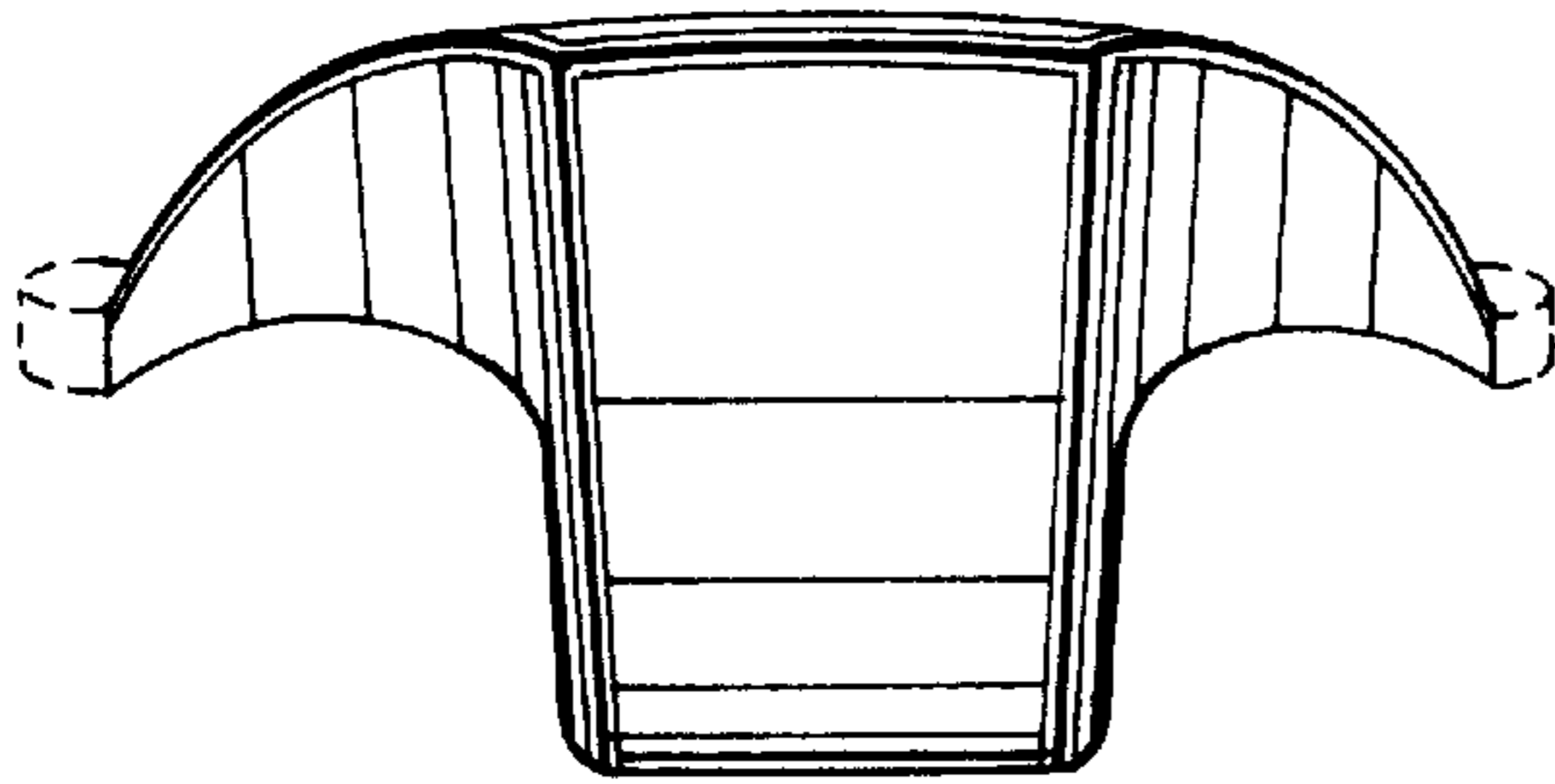


FIG. 6

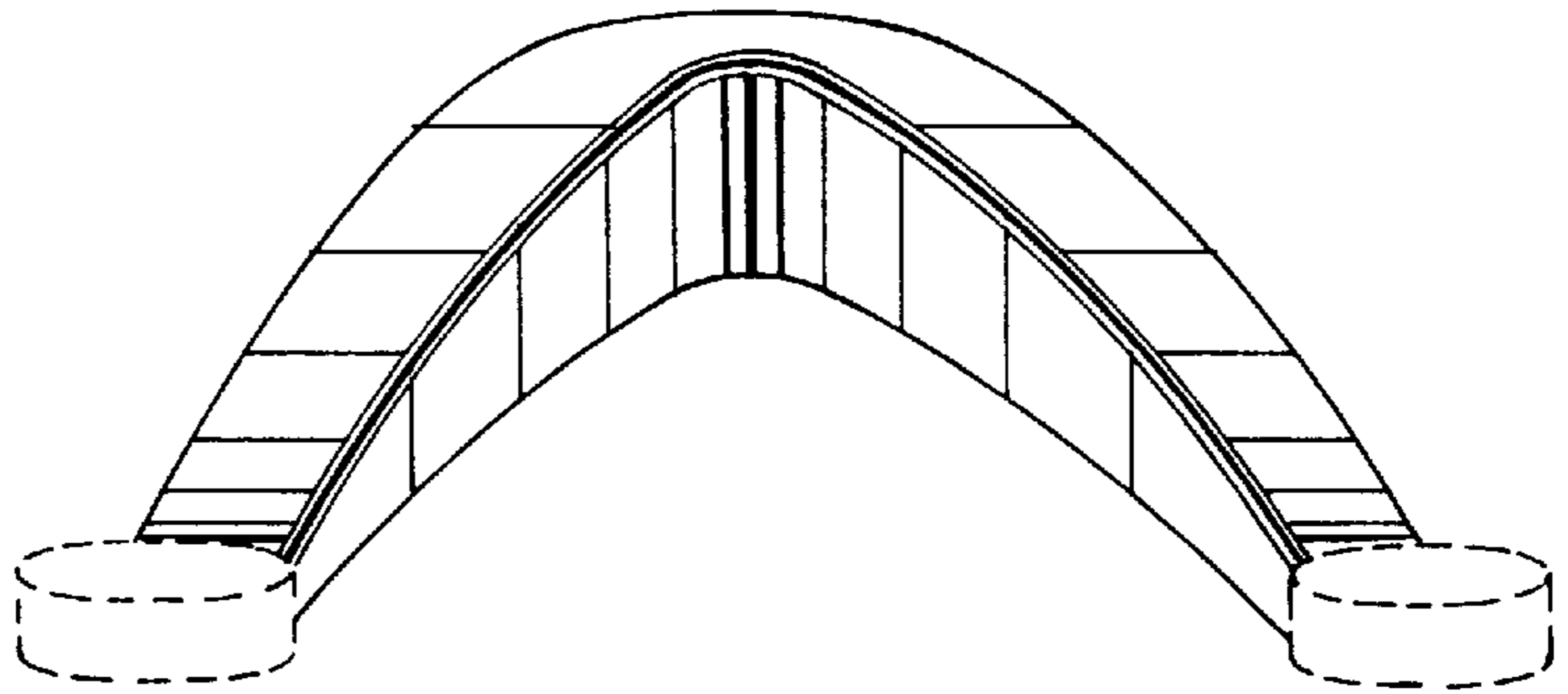


FIG. 7

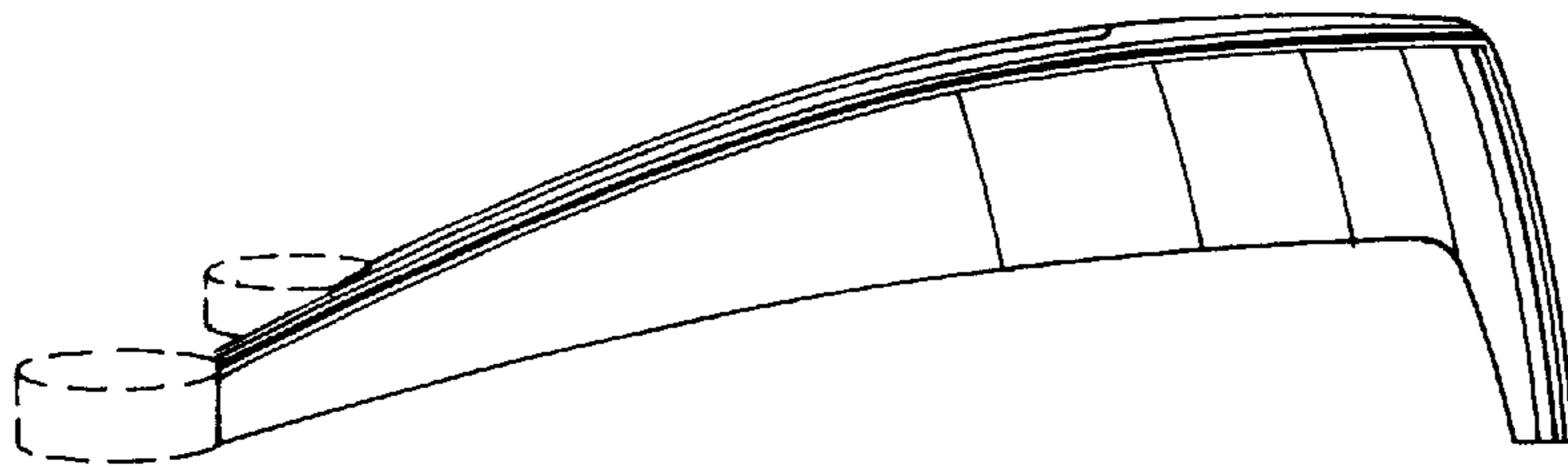


FIG. 8

