



US00D399208S

United States Patent [19]
Mackie et al.

[11] **Patent Number:** **Des. 399,208**
[45] **Date of Patent:** ****Oct. 6, 1998**

[54] **USER INTERFACE**

[75] Inventors: **Greg C. Mackie**, Kirkland; **Joseph L. Erno**, Everett, both of Wash.

[73] Assignee: **Mackie Designs Inc.**, Woodinville, Wash.

[**] Term: **14 Years**

[21] Appl. No.: **62,116**

[22] Filed: **Nov. 7, 1996**

Related U.S. Application Data

[62] Division of Ser. No. 62,115, Nov. 7, 1996.

[51] **LOC (6) Cl.** **14-01**

[52] **U.S. Cl.** **D14/217**

[58] **Field of Search** D14/217; 381/119;
369/4

[56] **References Cited**

U.S. PATENT DOCUMENTS

D. 273,676 5/1984 Itoh et al. D14/217

D. 291,196 8/1987 Ito et al. D14/162
D. 344,726 3/1994 Amiya D14/217
D. 375,747 11/1996 East D14/217

Primary Examiner—B. J. Bullock
Attorney, Agent, or Firm—Weiss Jensen Ellis & Howard

[57] **CLAIM**

The ornamental design for a user interface, as shown and described.

DESCRIPTION

FIG. 1 is a perspective view showing the new design thereof; FIG. 2 is a front elevation view thereof; FIG. 3 is a rear elevation view thereof; FIG. 4 is a left side elevation view thereof; FIG. 5 is a right side elevation view thereof; FIG. 6 is a top plan view thereof; and, FIG. 7 is a bottom plan view thereof.

The broken lines in FIGS. 1, 2 and 6 which define the bounds between claimed and unclaimed subject matter form no part of the claimed design.

1 Claim, 4 Drawing Sheets

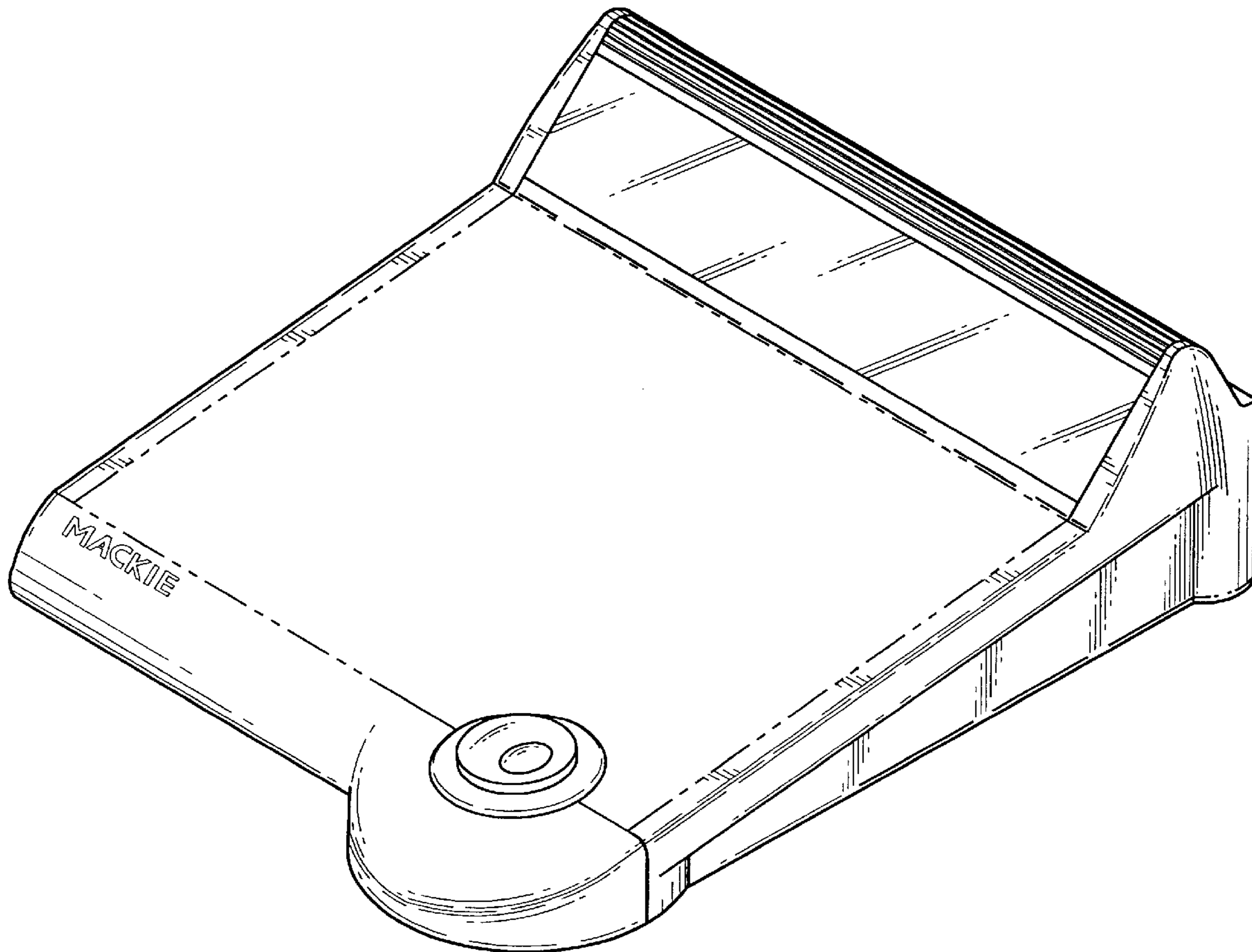


FIG. 1

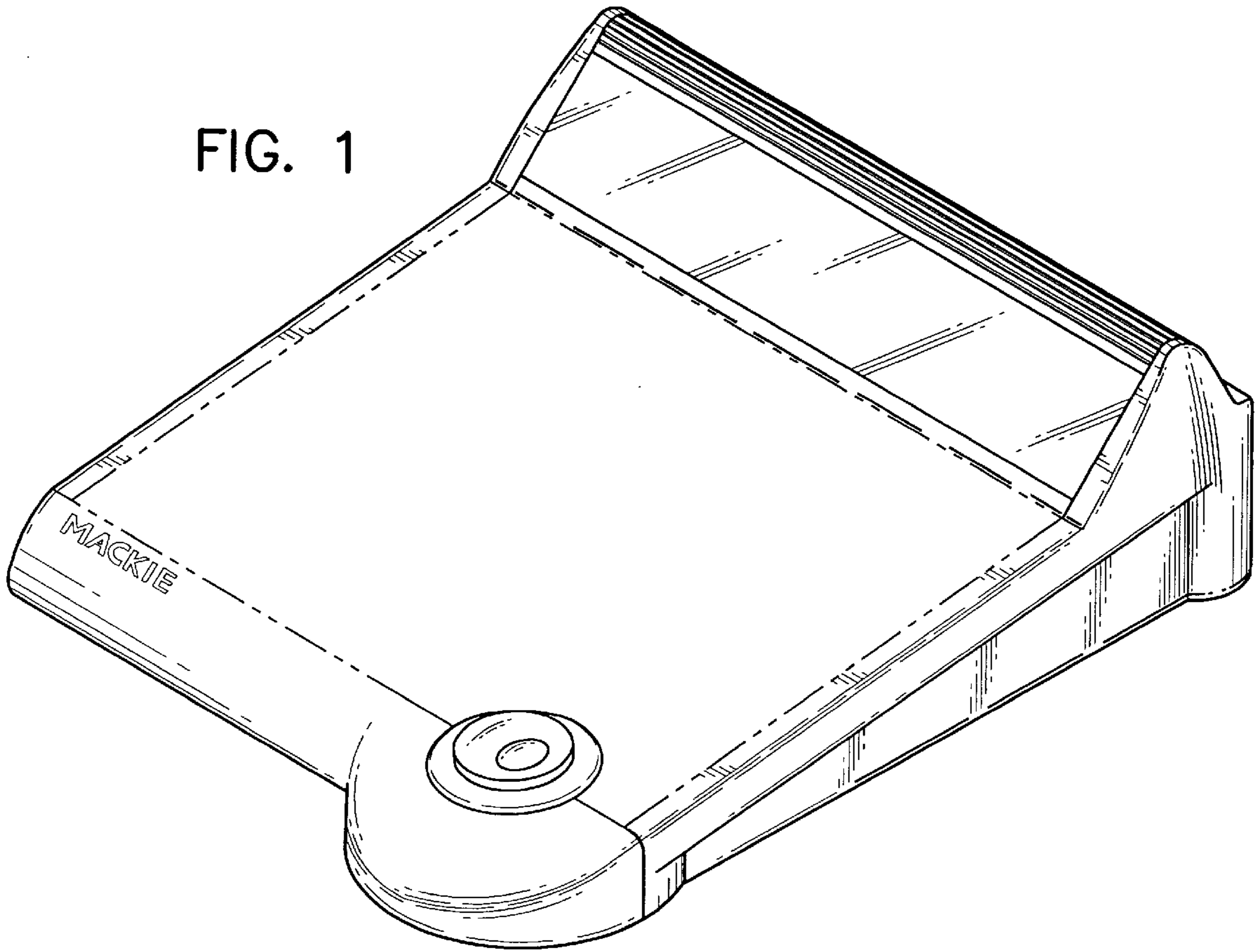
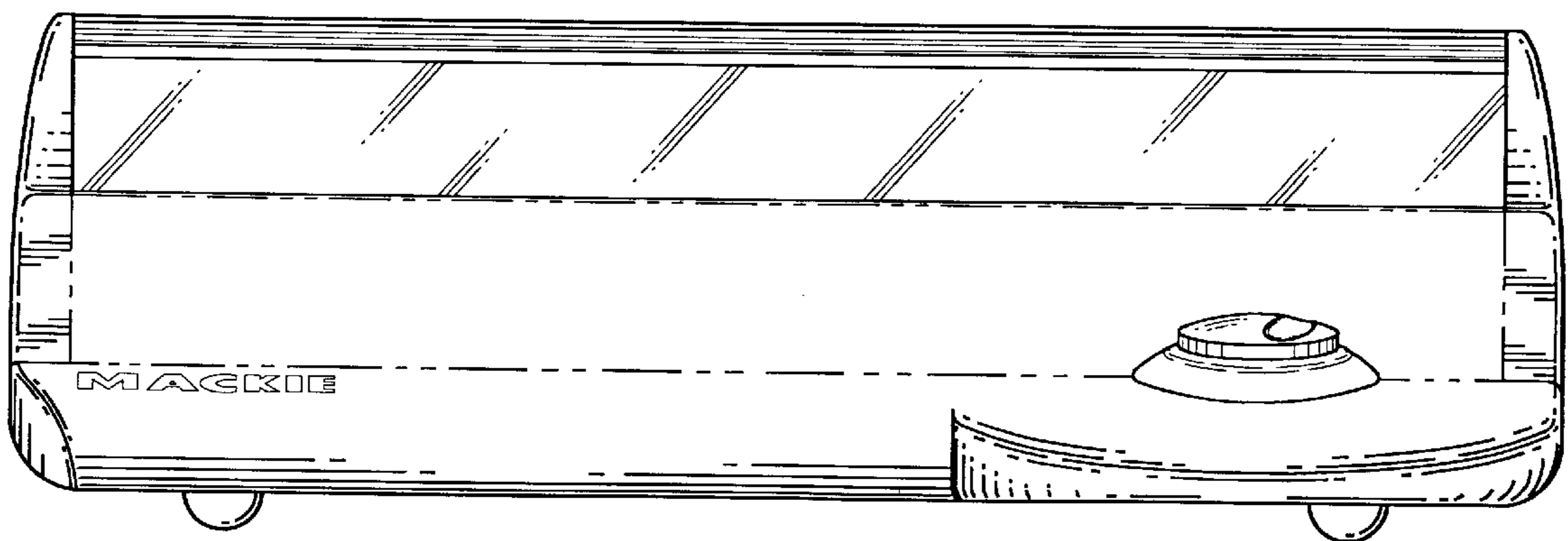


FIG. 2



2/4

FIG. 3

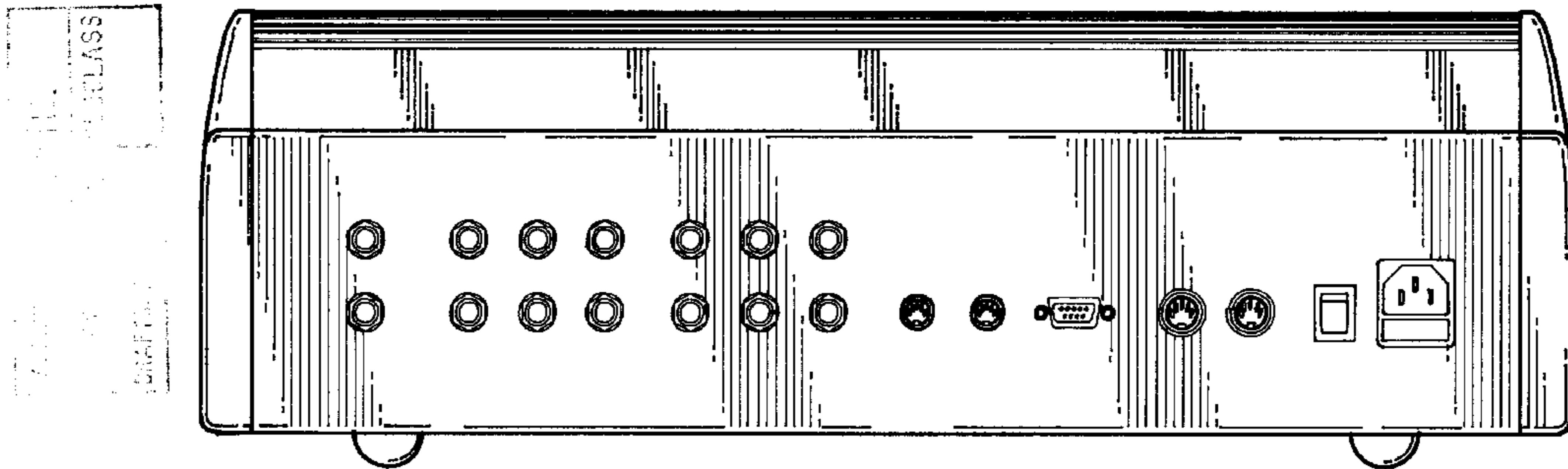


FIG. 4

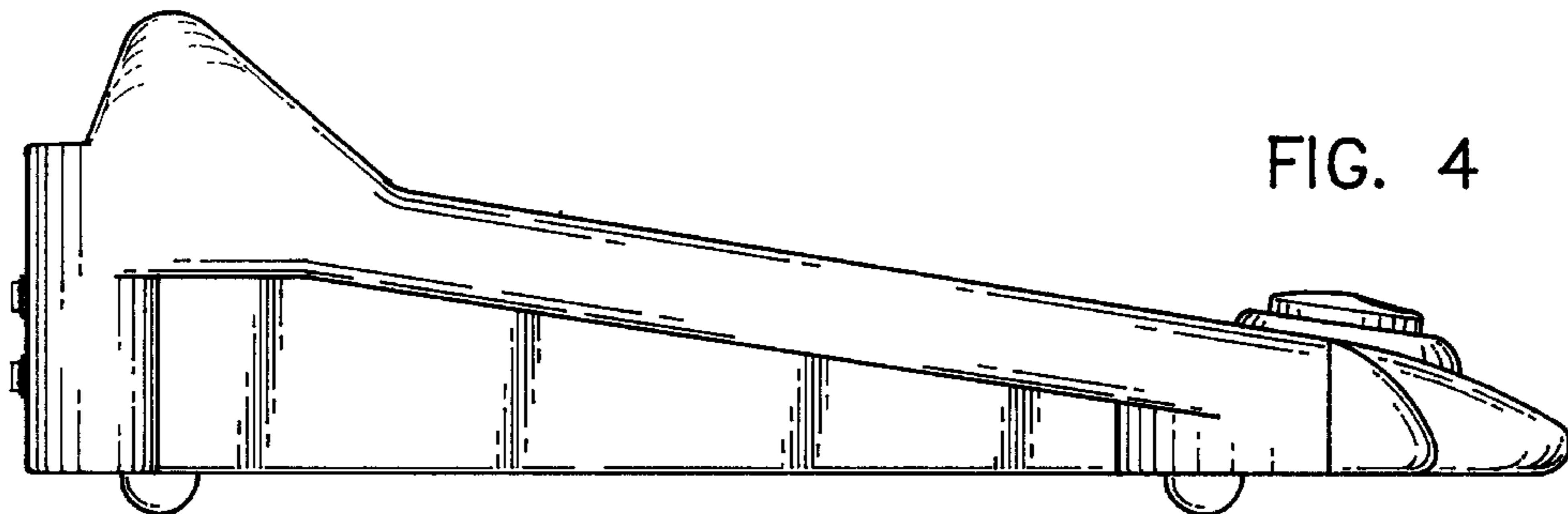


FIG. 5

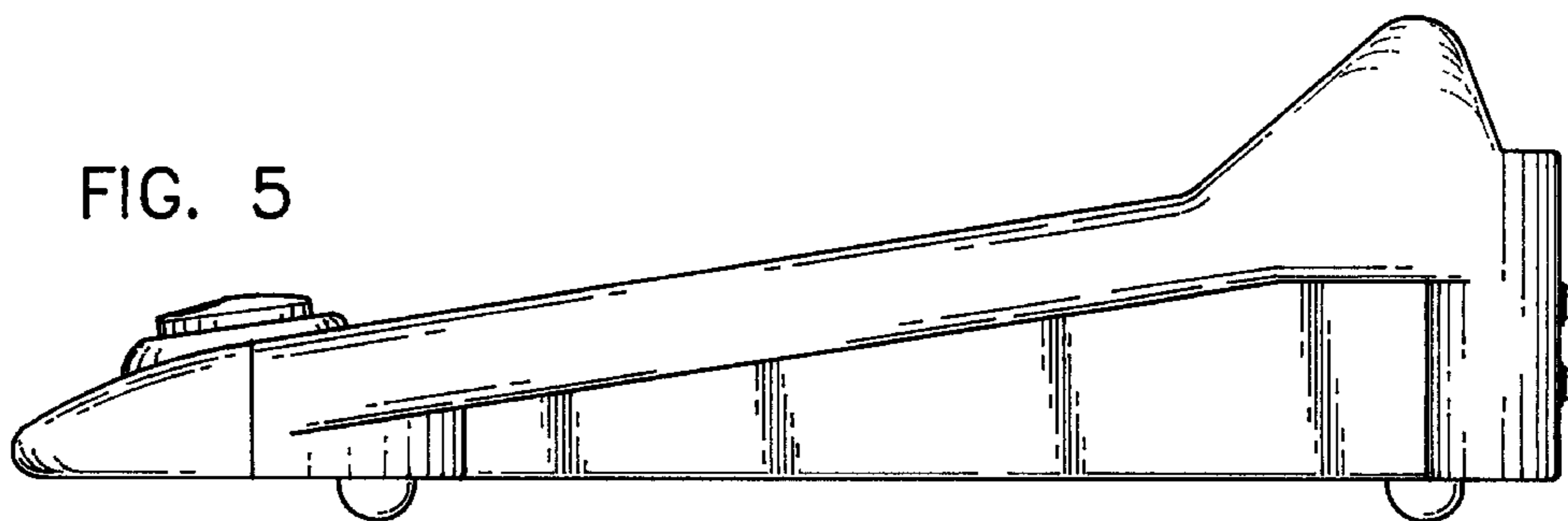


FIG. 6

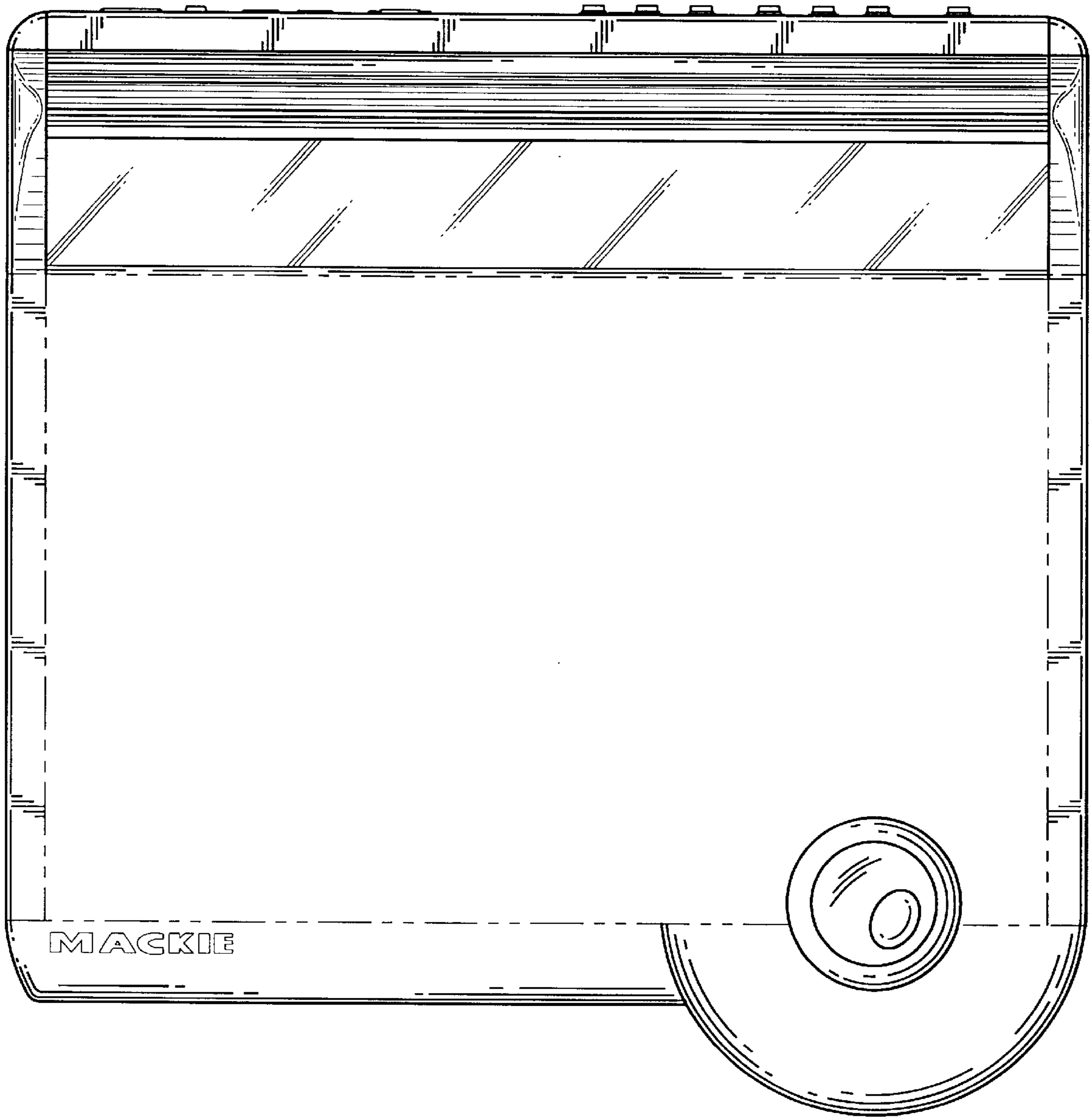


FIG. 7

