



US00D399207S

# United States Patent [19]

Mackie et al.

[11] Patent Number: **Des. 399,207**

[45] Date of Patent: **\*\*Oct. 6, 1998**

[54] **USER INTERFACE**

[75] Inventors: **Greg C. Mackie**, Kirkland; **Joseph L. Erno**, Everett, both of Wash.

[73] Assignee: **Mackie Designs Inc.**, Woodinville, Wash.

[\*\*] Term: **14 Years**

[21] Appl. No.: **62,115**

[22] Filed: **Nov. 7, 1996**

[51] **LOC (6) Cl.** ..... **14-01**

[52] **U.S. Cl.** ..... **D14/217**

[58] **Field of Search** ..... D14/217; 381/119; 369/4

[56] **References Cited**

**U.S. PATENT DOCUMENTS**

D. 273,676 5/1984 Itoh et al. .... D14/217

D. 291,196 8/1987 Ito et al. .... D14/162  
D. 344,726 3/1994 Amiya ..... D14/217  
D. 375,747 11/1996 East ..... D14/217

*Primary Examiner*—B. J. Bullock

*Attorney, Agent, or Firm*—Weiss Jensen Ellis & Howard

[57] **CLAIM**

The ornamental design for a user interface, as shown and described.

**DESCRIPTION**

FIG. 1 is a front elevation view showing the new design thereof;

FIG. 2 is a rear elevation view thereof;

FIG. 3 is a right side elevation view thereof;

FIG. 4 is a left side elevation view thereof;

FIG. 5 is a top plan view thereof; and,

FIG. 6 is a bottom plan view thereof.

**1 Claim, 3 Drawing Sheets**

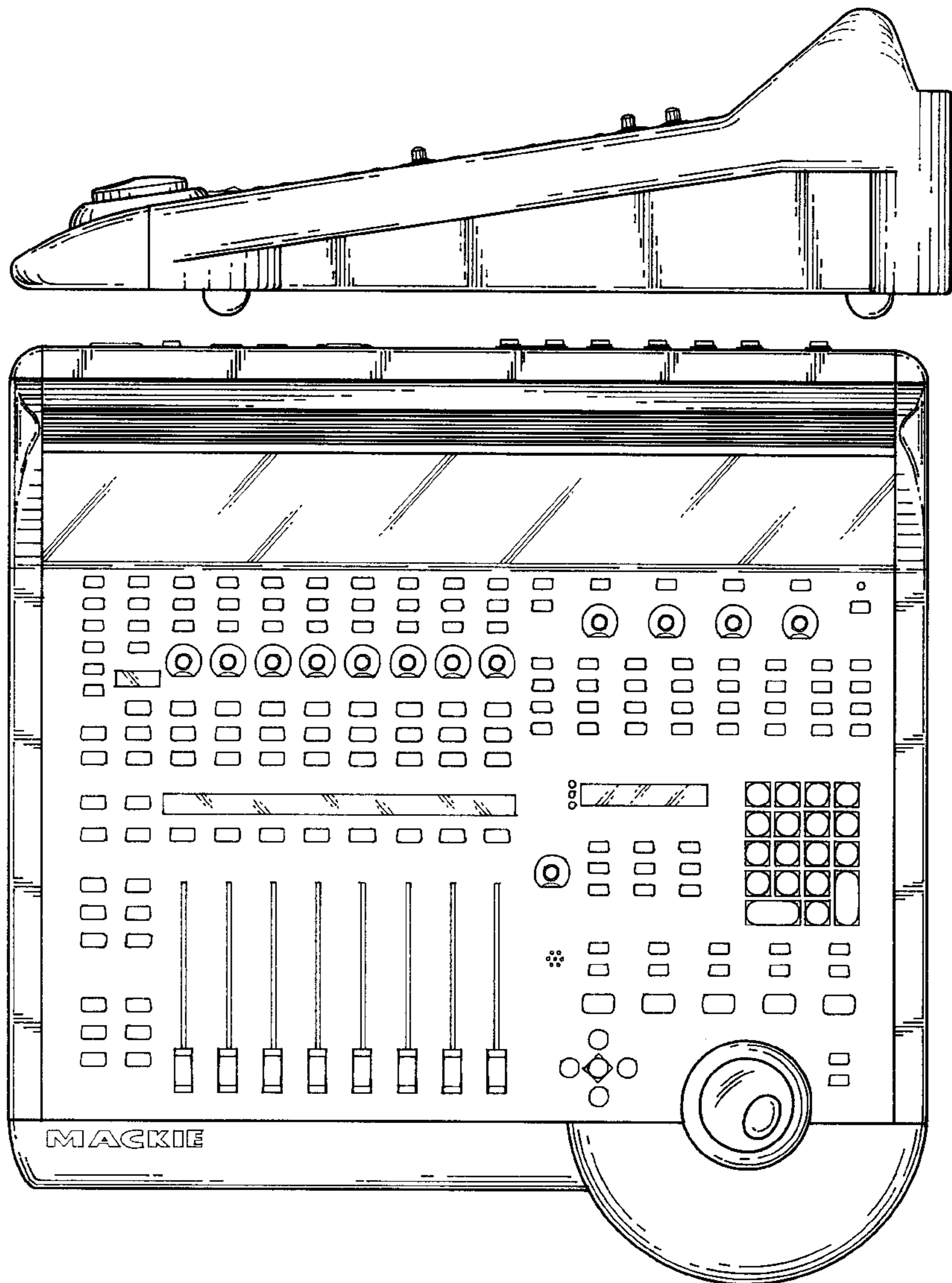


FIG. 1

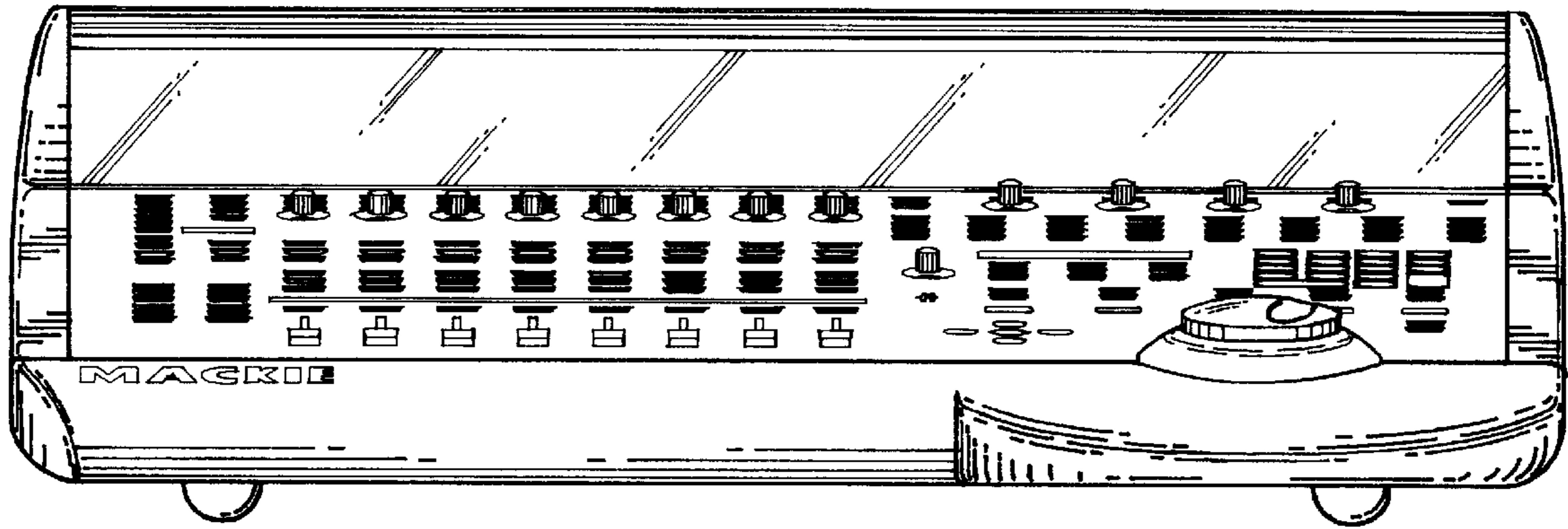


FIG. 2

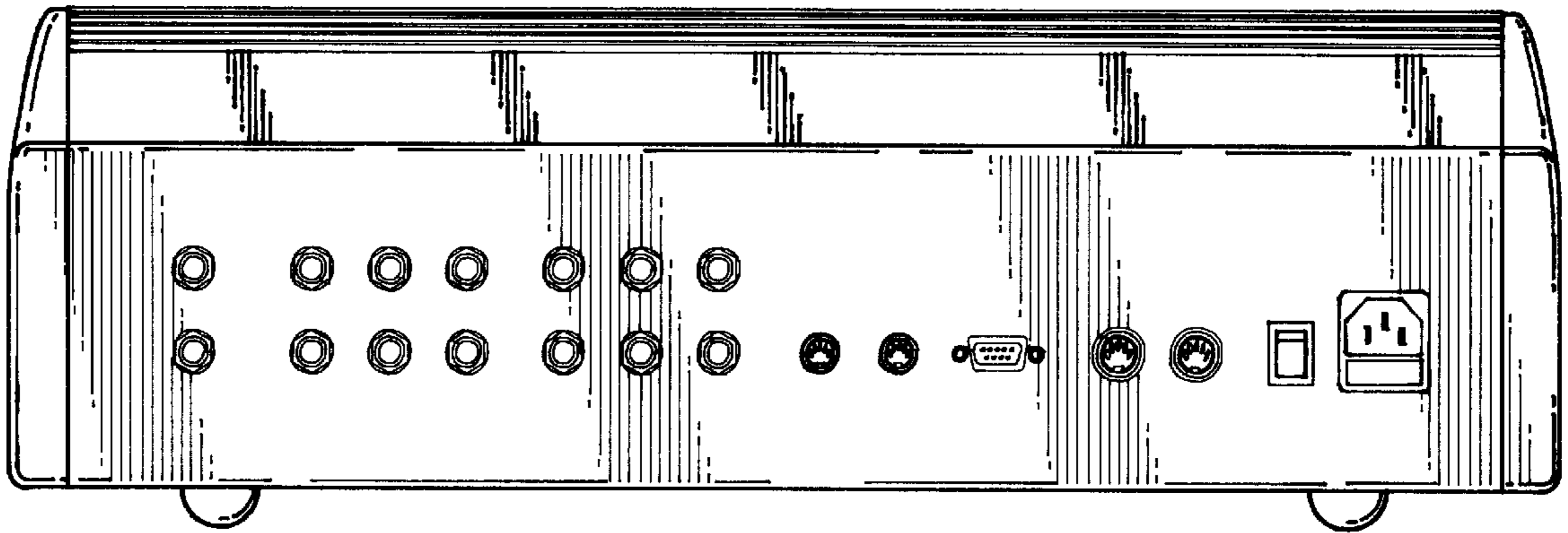


FIG. 3

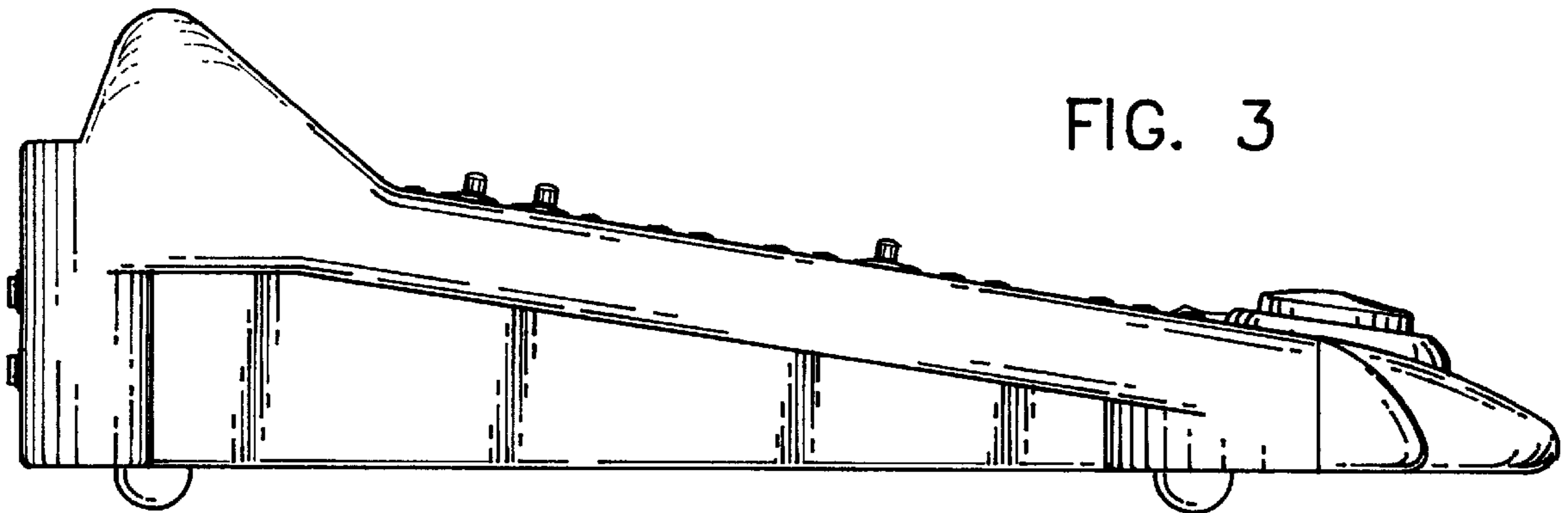


FIG. 4

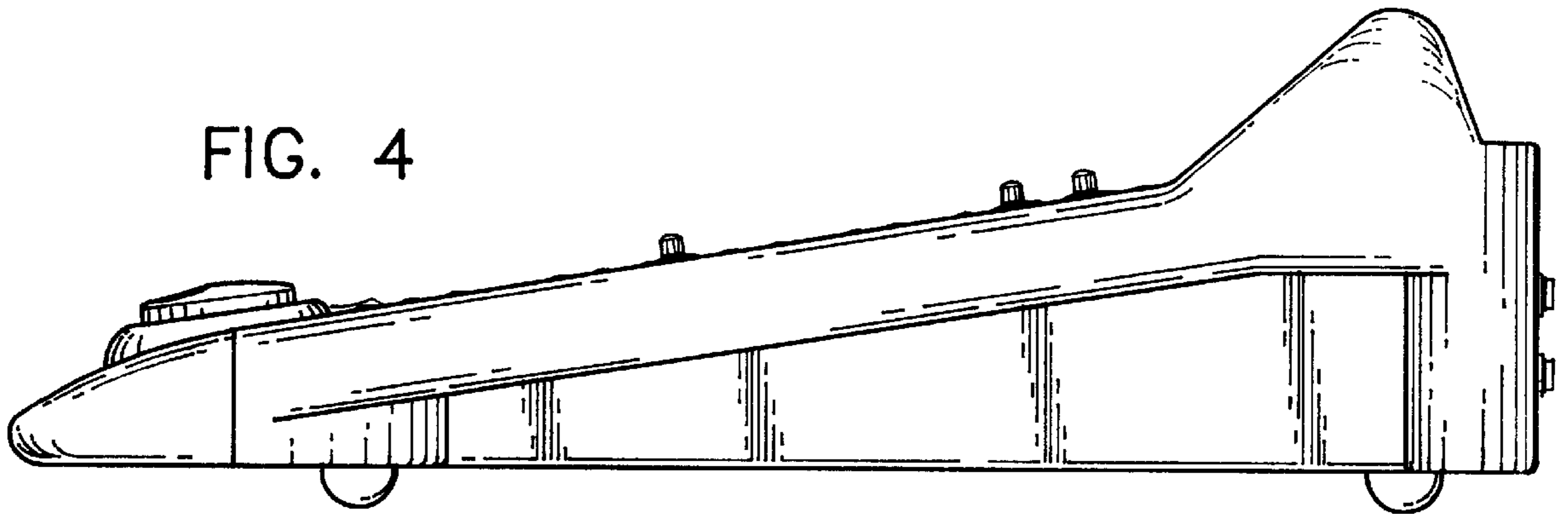


FIG. 5

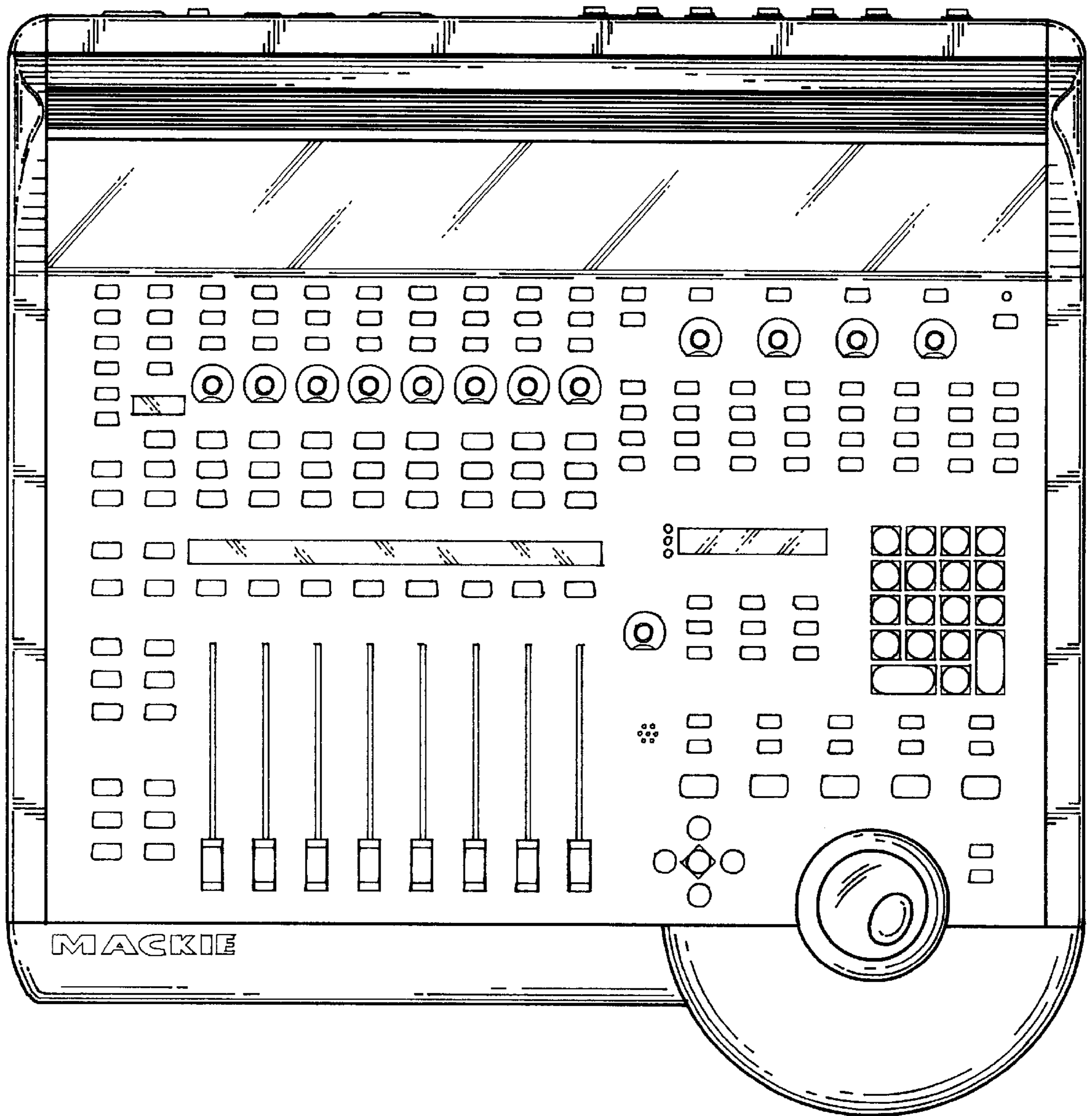


FIG. 6

