



US00D399201S

United States Patent [19] Zeitman

[11] **Patent Number: Des. 399,201**
[45] **Date of Patent: **Oct. 6, 1998**

[54] **TELEPHONE SET**

[75] Inventor: **Josh Zeitman**, Brooklyn, N.Y.

[73] Assignee: **Lennox Electronics Corp.**, Brooklyn, N.Y.

[**] Term: **14 Years**

[21] Appl. No.: **73,884**

[22] Filed: **Jul. 18, 1997**

[51] **LOC (6) Cl. 14-03**

[52] **U.S. Cl. D14/151**

[58] **Field of Search** D14/137, 100,
D14/138, 101, 148, 241, 149-151, 240,
243, 140-142, 130; 379/433-436, 419,
420, 428, 440; D21/48

[56] **References Cited**

U.S. PATENT DOCUMENTS

- D. 293,103 12/1987 Gauffin et al. D14/151
- D. 295,623 5/1988 Gilberton D14/151
- D. 297,935 10/1988 Kurosu et al. D14/149 X
- D. 307,426 4/1990 Ohta et al. D14/142

- D. 353,589 12/1994 Mo D14/151
- D. 353,590 12/1994 Mo D14/151
- D. 363,285 10/1995 Vessey et al. D14/151
- D. 375,740 11/1996 Mergenthaler et al. D14/151
- D. 375,741 11/1996 Mo D14/148 X
- D. 384,347 9/1997 Hua D14/151

Primary Examiner—Jeffrey Asch
Attorney, Agent, or Firm—Burns, Doane, Swecker & Mathis, L.L.P.

[57] **CLAIM**

The ornamental design for a “telephone set”, as shown and described.

DESCRIPTION

FIG. 1 is a perspective view of a “telephone set” showing my design;
FIG. 2 is a front view thereof;
FIG. 3 is a rear view thereof;
FIG. 4 is a left side view thereof;
FIG. 5 is a right side view thereof;
FIG. 6 is a top plan view thereof; and,
FIG. 7 is a bottom view thereof.

1 Claim, 5 Drawing Sheets

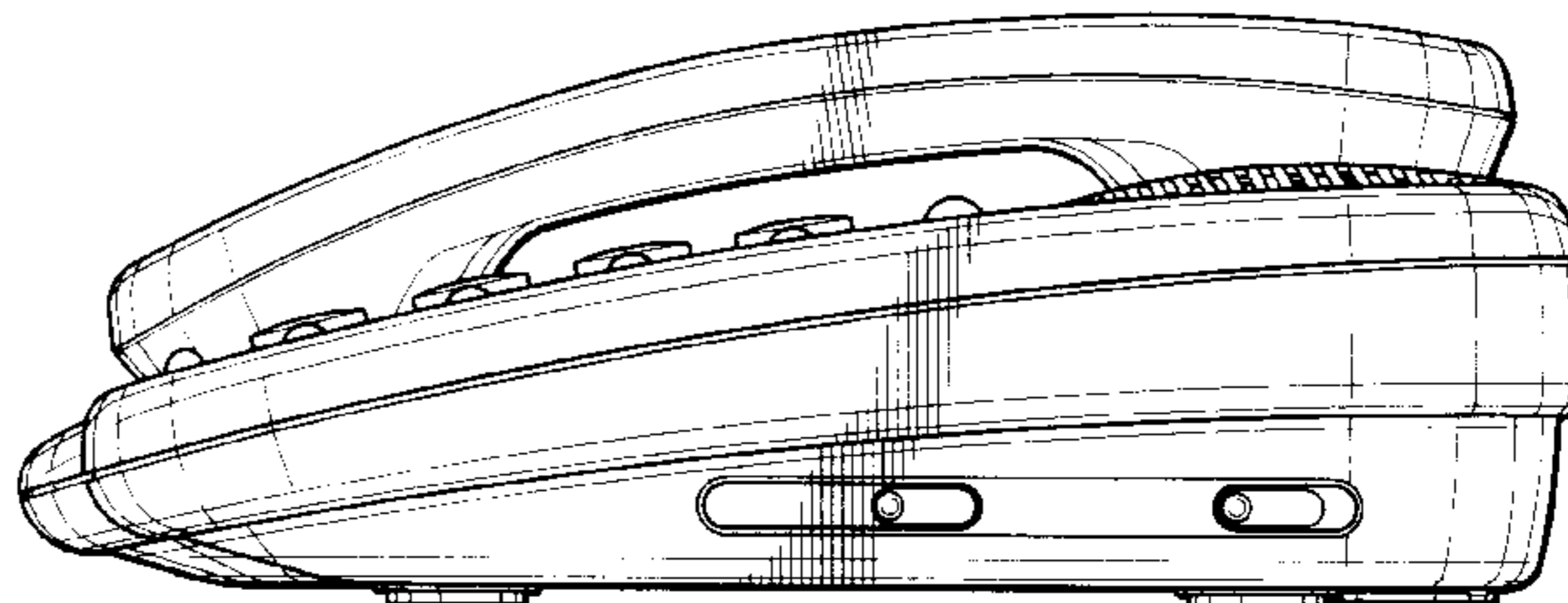




FIG. 1

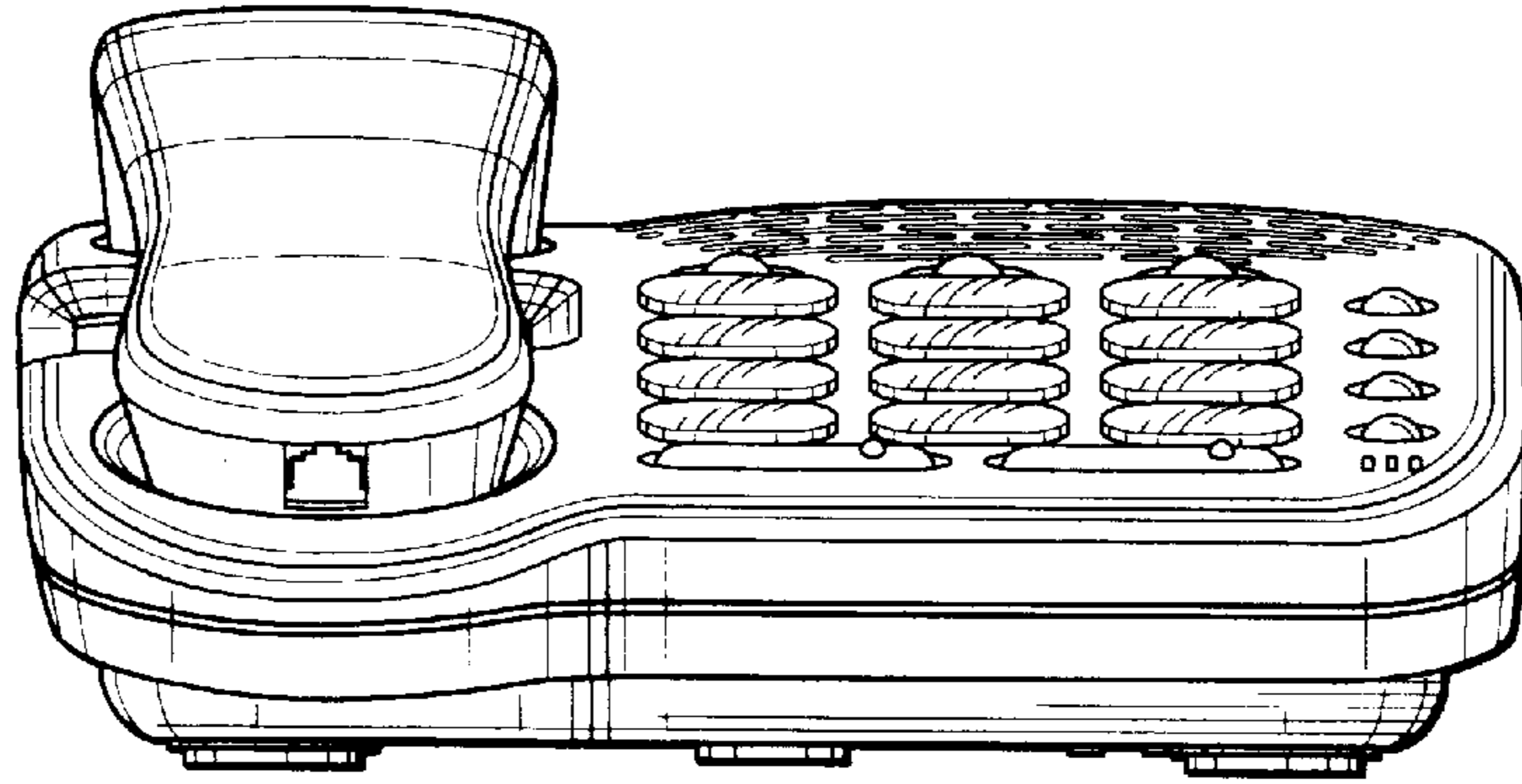


FIG. 2

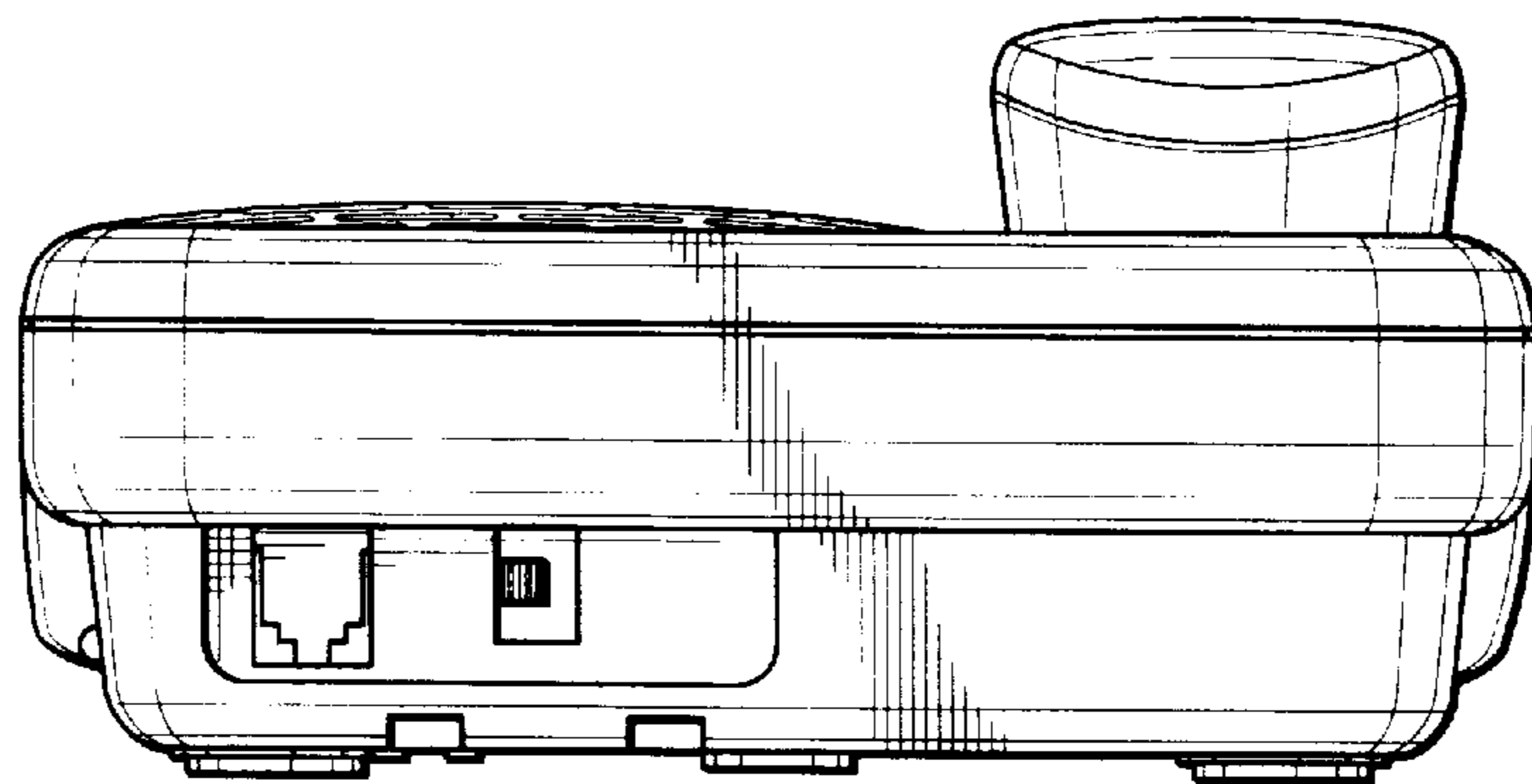


FIG. 3

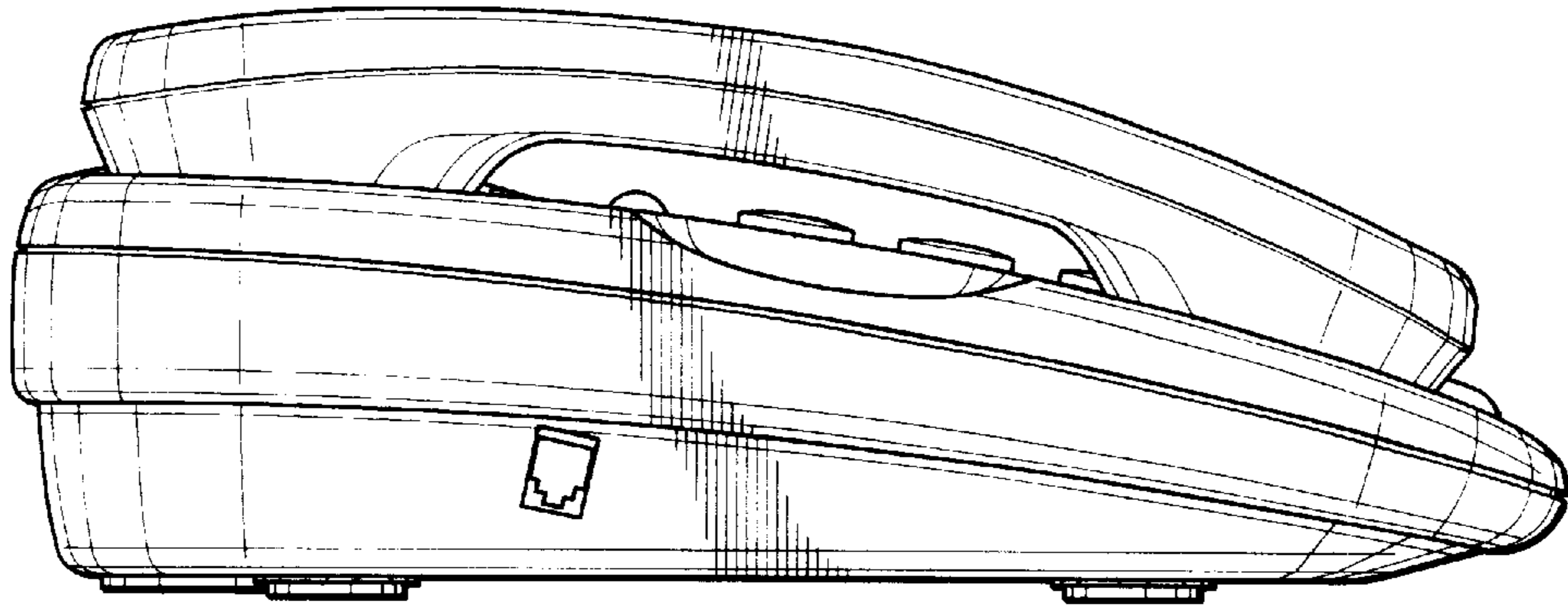


FIG. 4

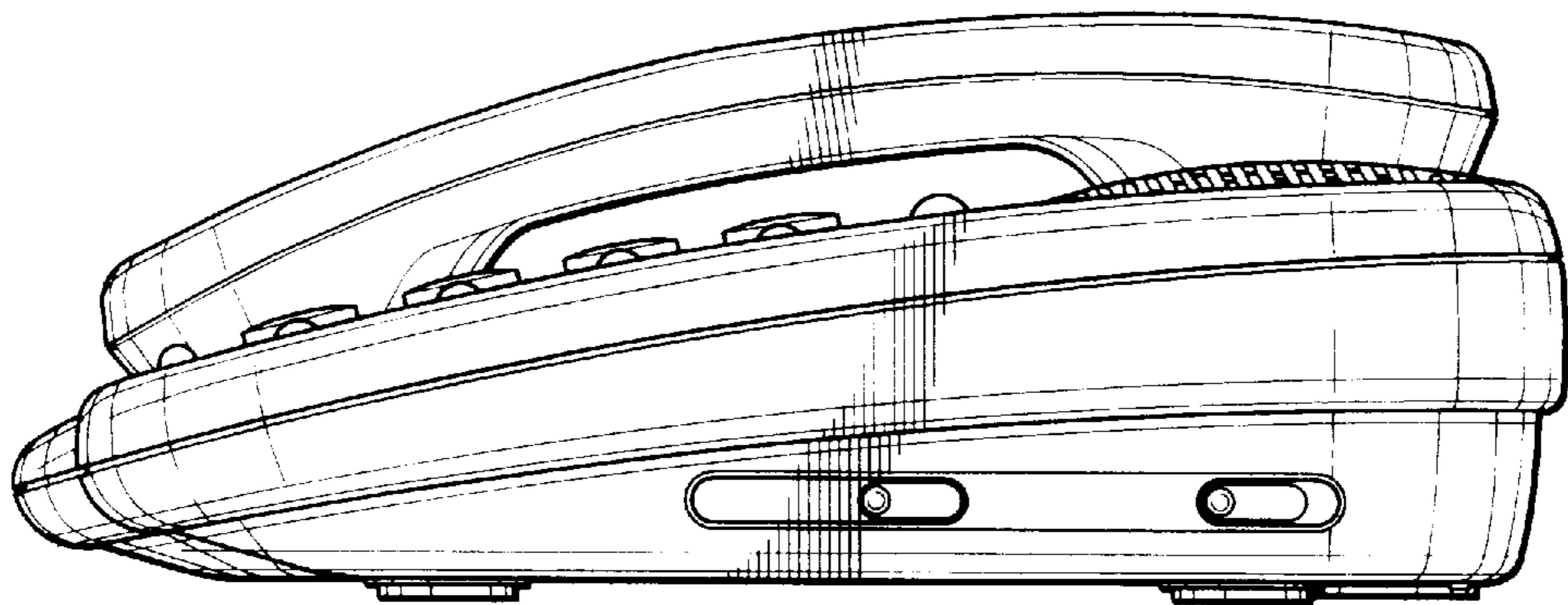


FIG. 5

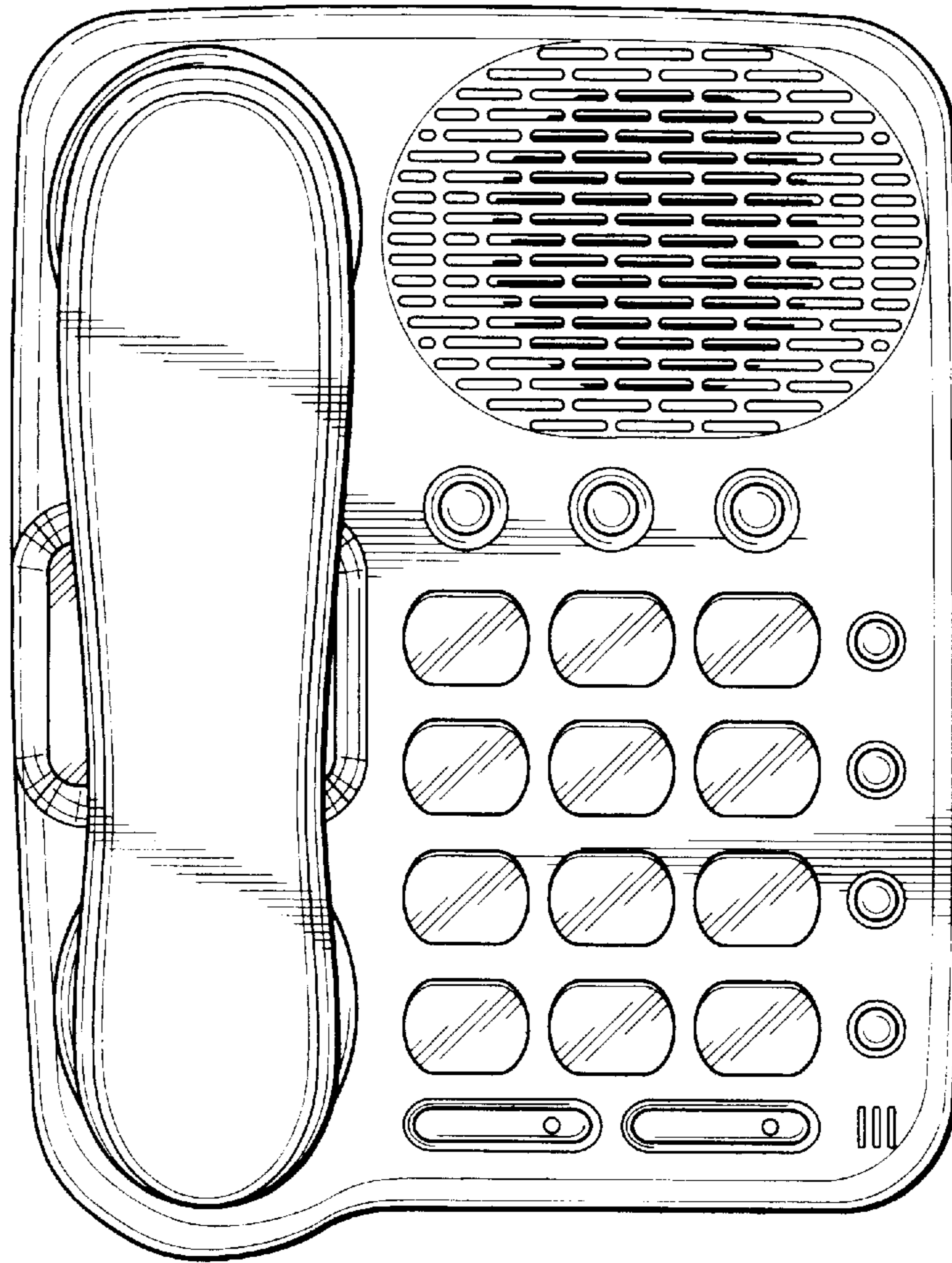


FIG. 6

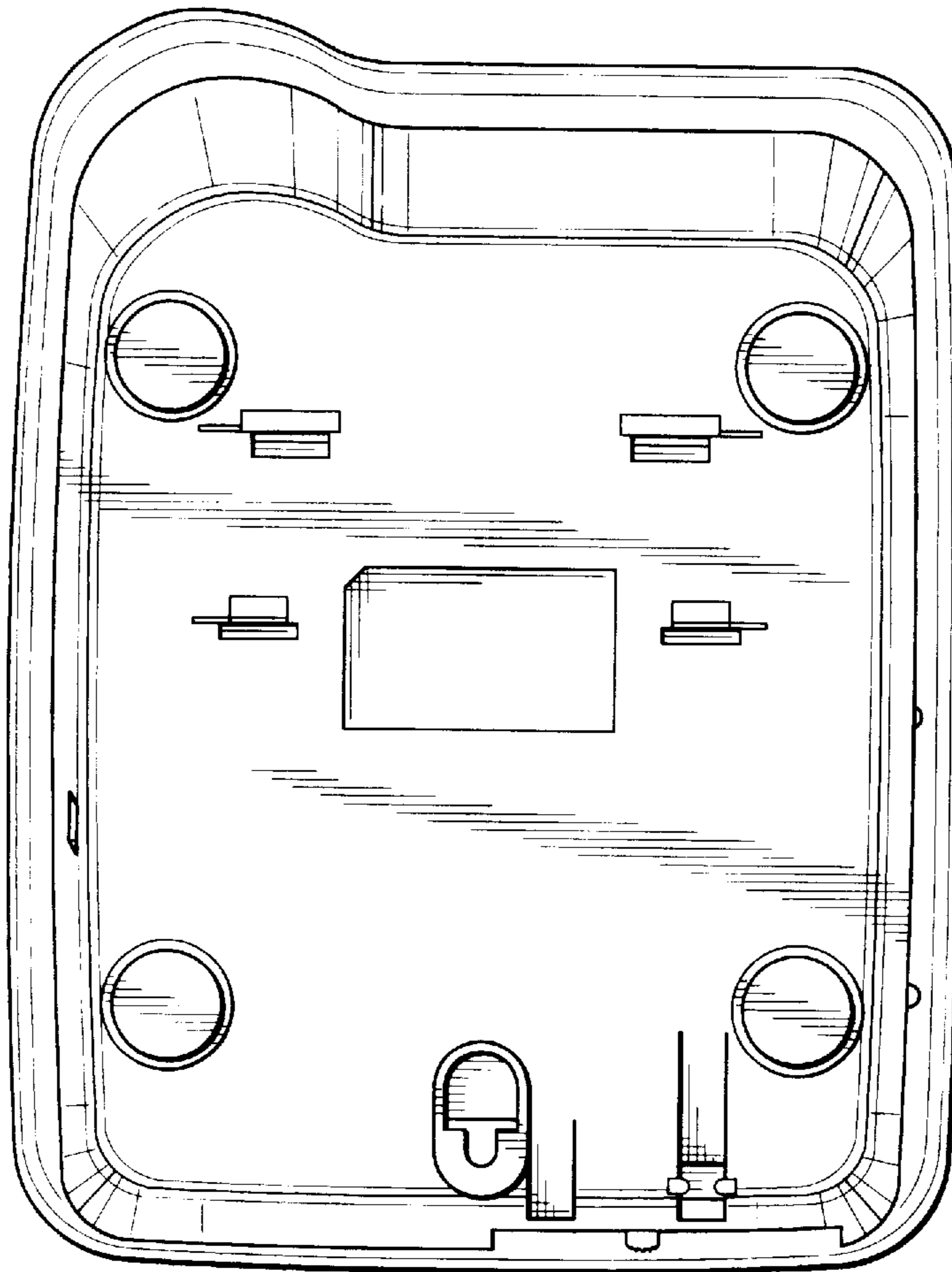


FIG. 7