



US00D399200S

United States Patent [19] Rosen

[11] **Patent Number: Des. 399,200**
[45] **Date of Patent: **Oct. 6, 1998**

[54] **CEILING MOUNTED MONITOR SYSTEM**

[75] Inventor: **John B. Rosen**, 87580 Cherry Ridge Rd., Eugene, Oreg. 97402

[73] Assignee: **John B. Rosen**, Eugene, Oreg.

[**] Term: **14 Years**

[21] Appl. No.: **58,538**

[22] Filed: **Aug. 16, 1996**

[51] **LOC (6) Cl. 14-03**

[52] **U.S. Cl. D14/132; D6/513; D19/59**

[58] **Field of Search D14/106, 113, D14/124-134; D12/345; 348/825, 827, 837; 312/7.2; 244/118.5; D6/513; D19/59, 60, 63**

[56] **References Cited**

U.S. PATENT DOCUMENTS

D. 293,579	1/1988	Davis	D14/113
D. 337,103	7/1993	Harper	D14/113
D. 356,081	3/1995	Naito et al.	D14/129
5,145,128	9/1992	Umeda	244/118.5
5,148,282	9/1992	Sedighzadeh	348/825

Primary Examiner—Prabhakar G. Deshmukh
Assistant Examiner—Richelle Shelton
Attorney, Agent, or Firm—Kolisch Hartwell Dickinson McCormack & Heuser

[57] **CLAIM**

The ornamental design for a ceiling-mounted monitor system, as shown and described.

DESCRIPTION

FIG. 1 is an isometric view of a ceiling-mounted monitor system showing my new design, the monitor being depicted in its open orientation;
FIG. 2 is an isometric view of a ceiling-mounted monitor system showing my new design, the monitor being depicted in its closed orientation;
FIG. 3 is a bottom view of the ceiling-mounted monitor system as shown in FIG. 1;
FIG. 4 is a top view thereof;
FIG. 5 is a front view thereof;
FIG. 6 is a rear view thereof; and,
FIG. 7 is a left side view thereof, the right side view being a mirror image.

1 Claim, 3 Drawing Sheets

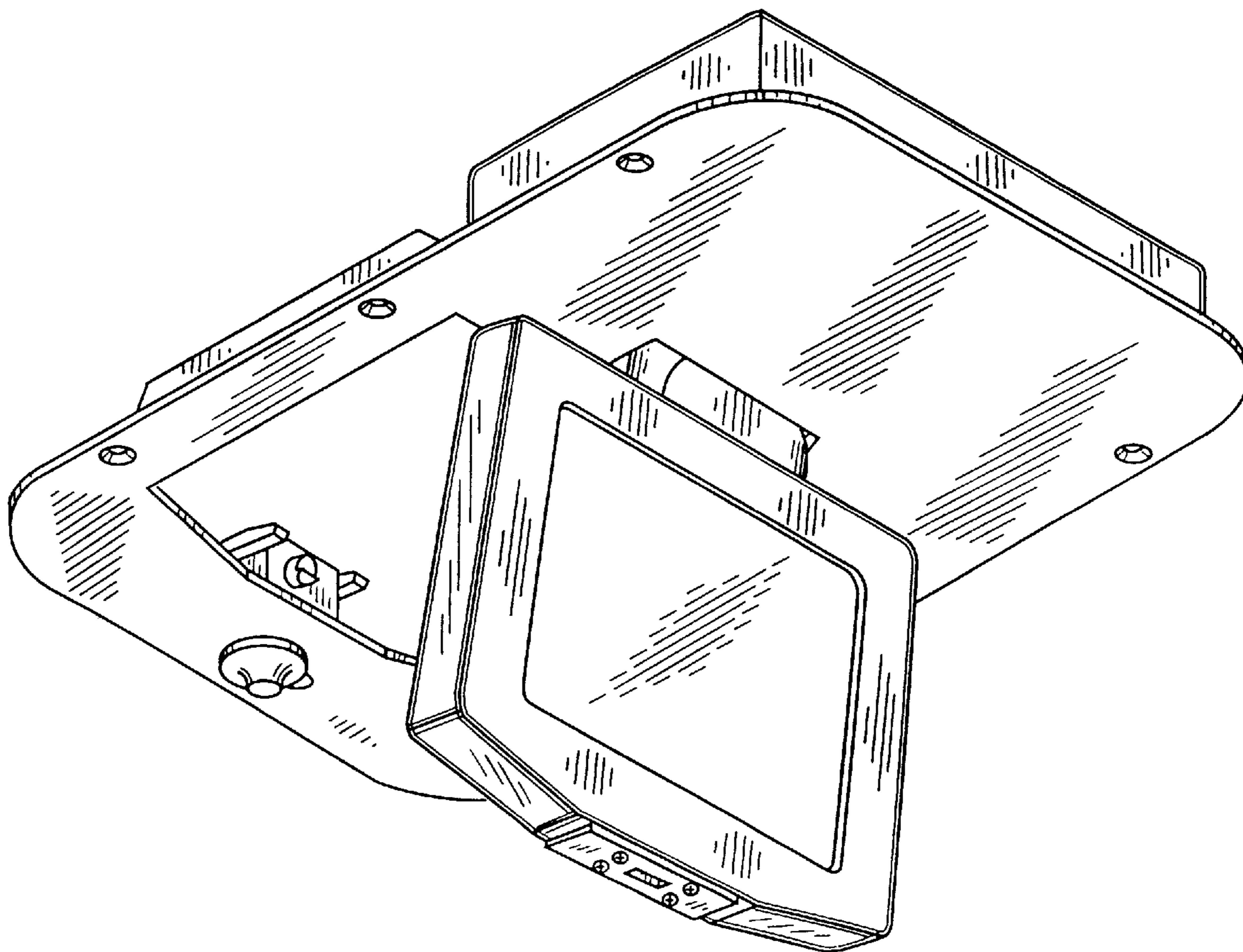


FIG. 1

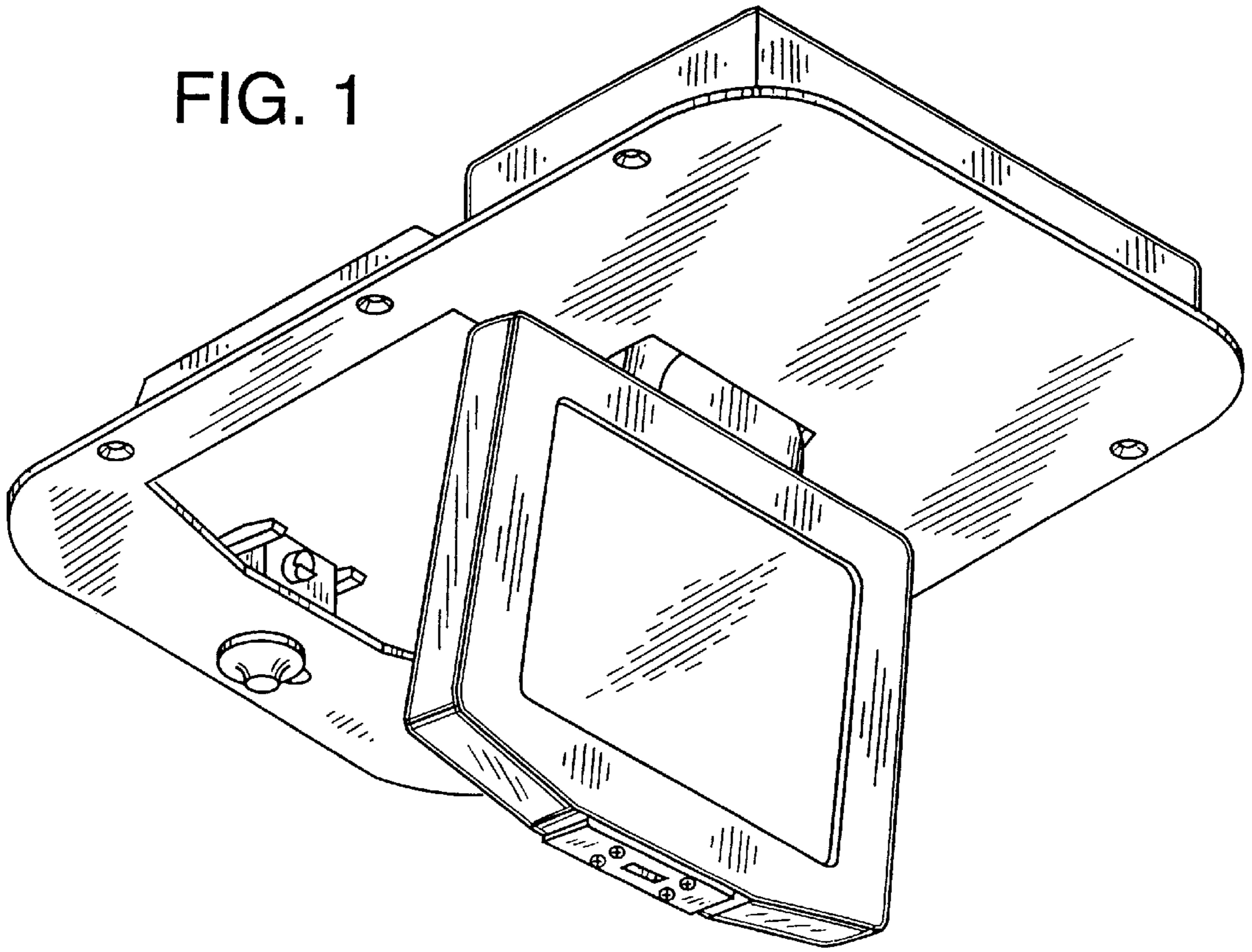


FIG. 2

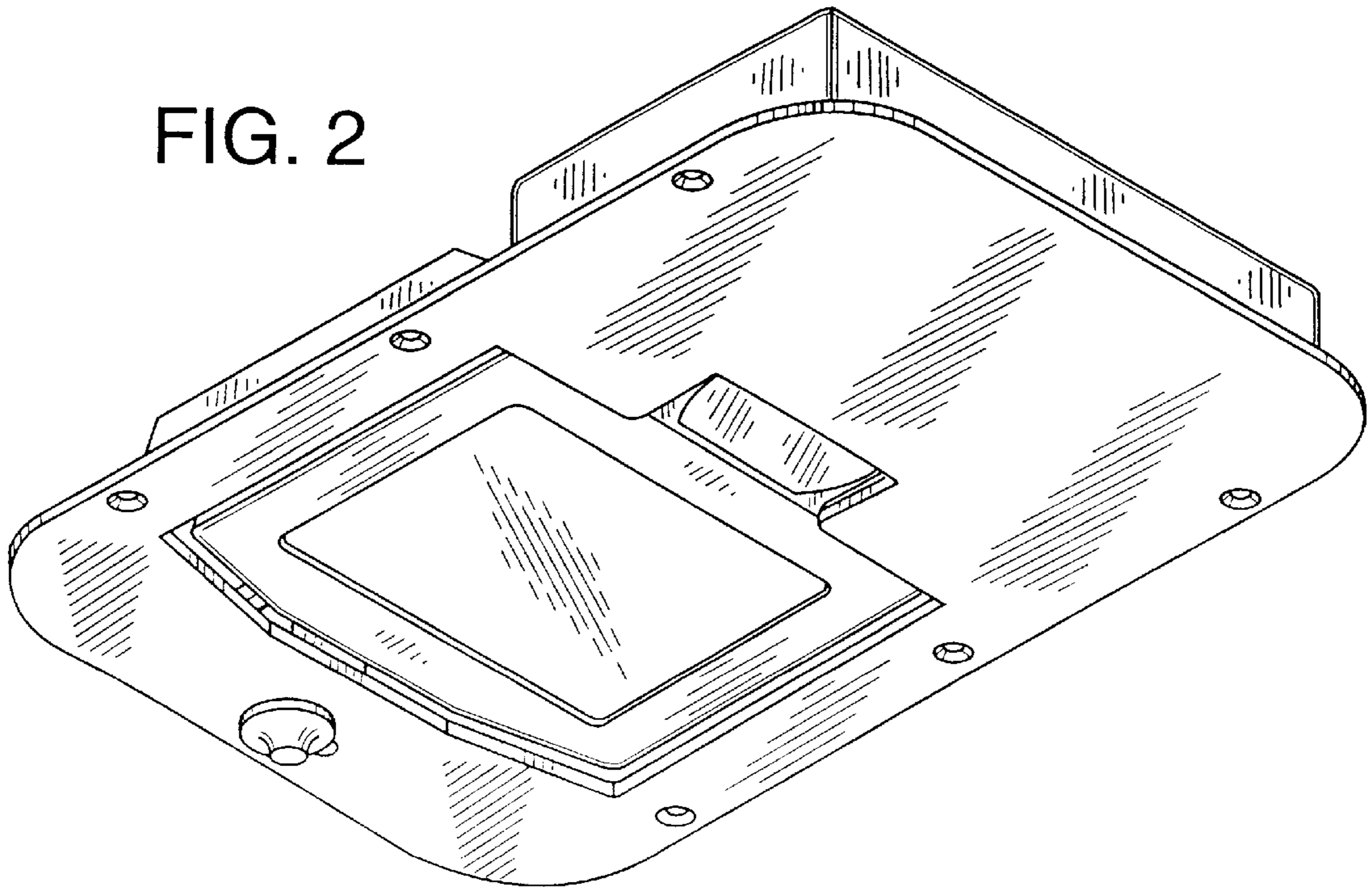


FIG. 3

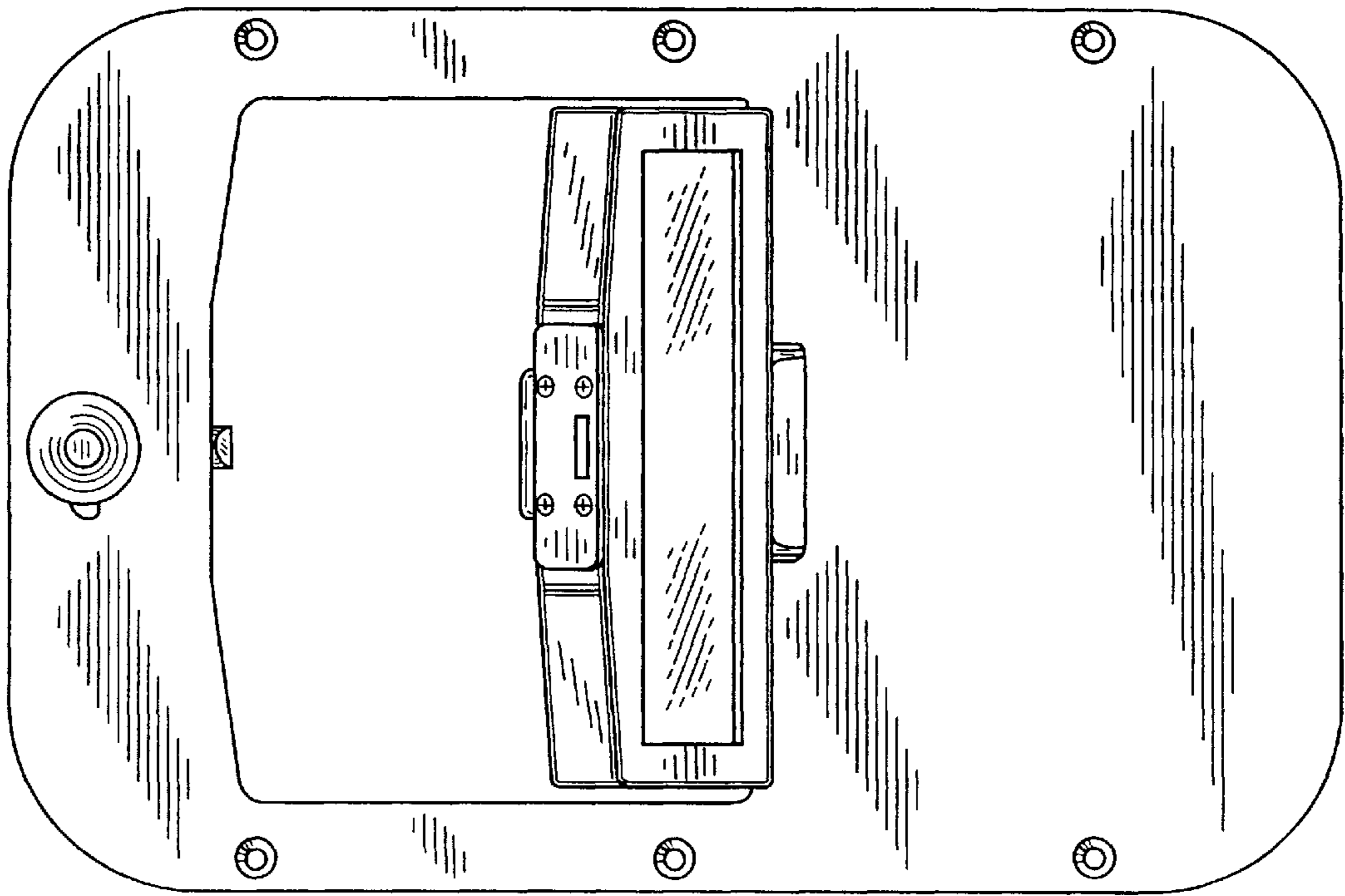


FIG. 4

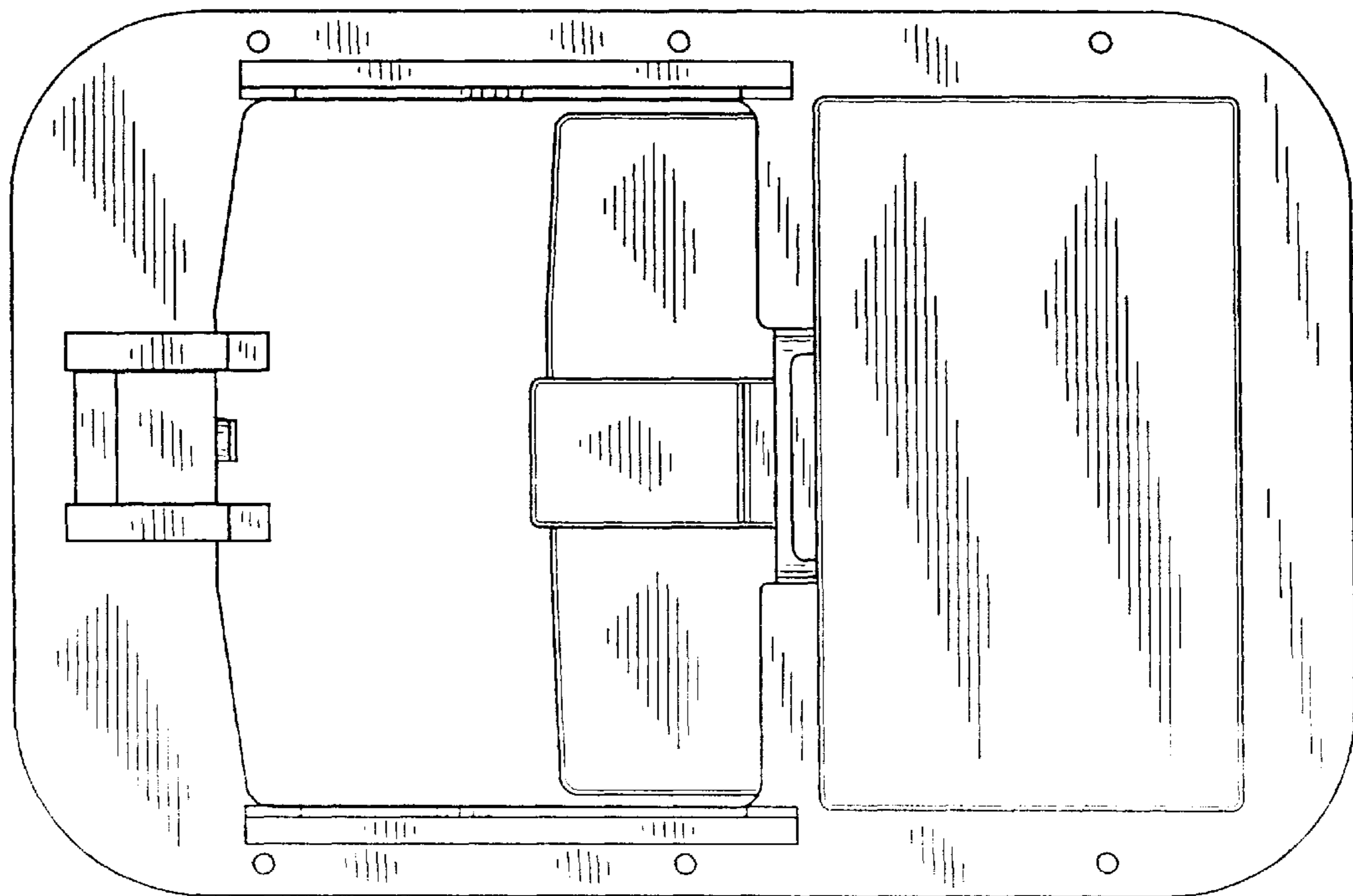


FIG. 5

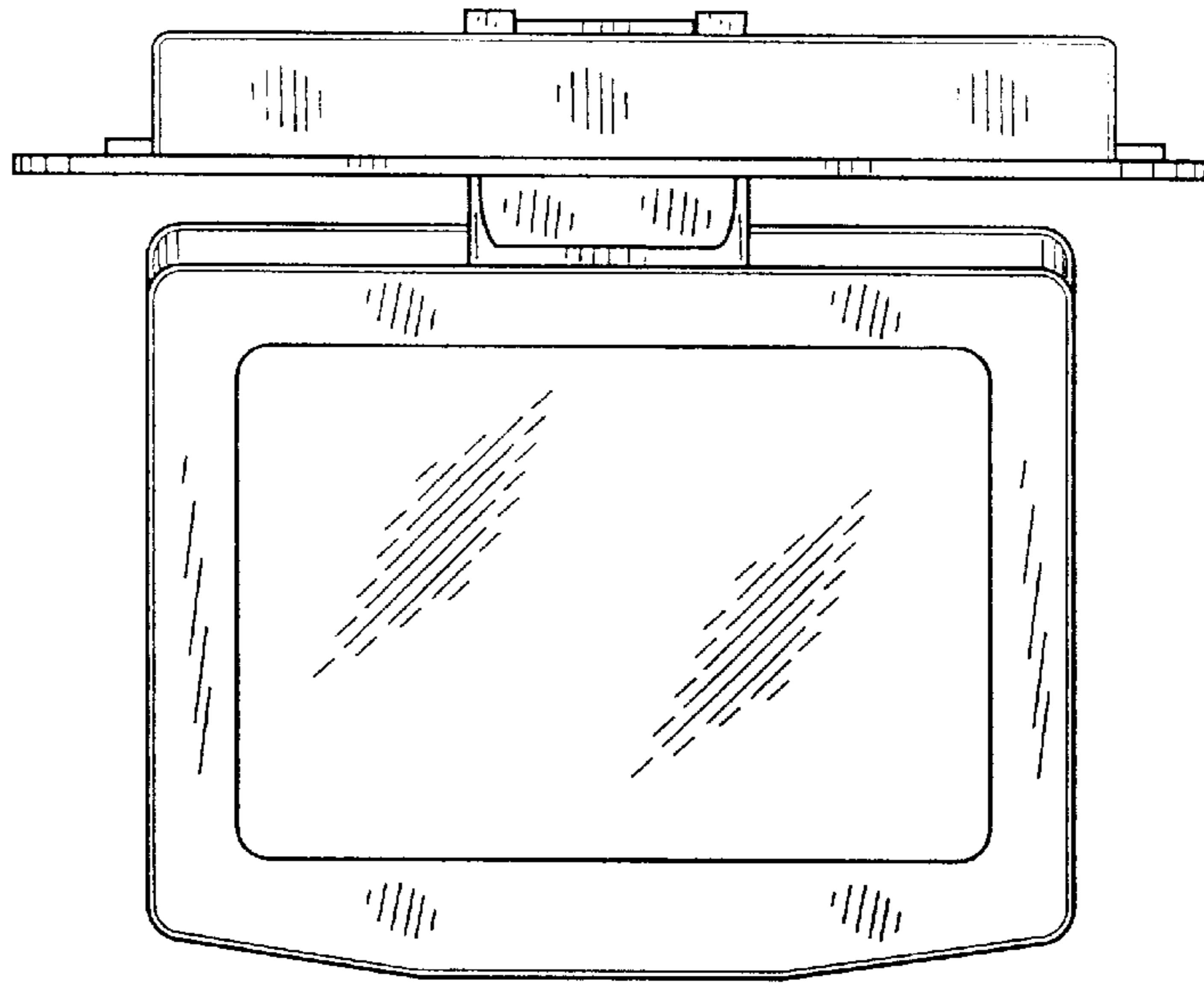


FIG. 6

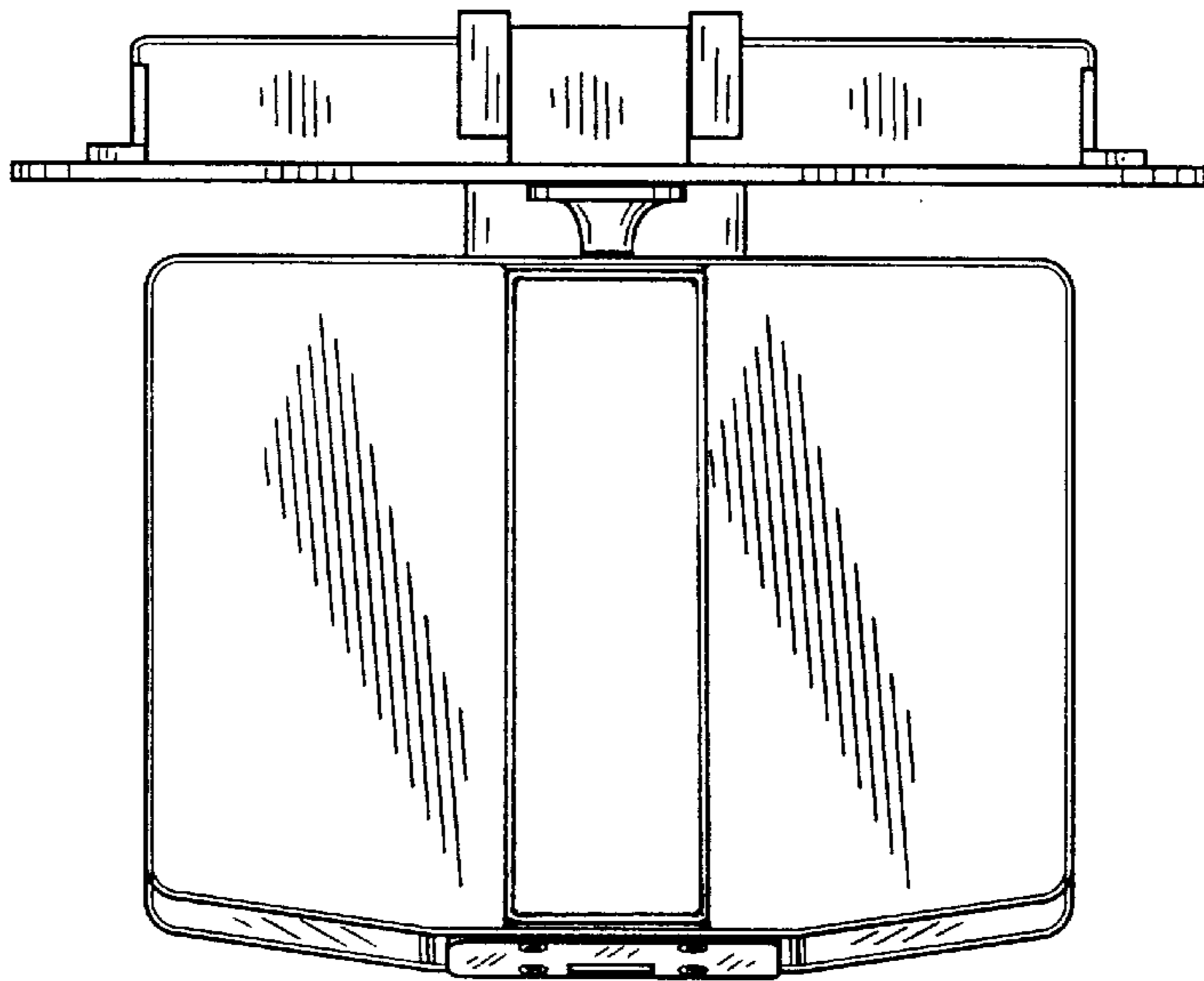


FIG. 7

