



US00D399199S

United States Patent [19]

Renk, Jr.

[11] **Patent Number:** **Des. 399,199**

[45] **Date of Patent:** ****Oct. 6, 1998**

[54] **HOME THEATER TELEVISION**

[75] Inventor: **Thomas E. Renk, Jr.**, Indianapolis, Ind.

[73] Assignee: **Thomson Consumer Electronics**, Indianapolis, Ind.

[**] Term: **14 Years**

[21] Appl. No.: **72,866**

[22] Filed: **Jun. 23, 1997**

[51] **LOC (6) Cl.** **14-03**

[52] **U.S. Cl.** **D14/126**

[58] **Field of Search** D14/113, 124-134; 312/7.2; 348/836, 838

[56] **References Cited**

U.S. PATENT DOCUMENTS

D. 316,260	4/1991	Renk, Jr.	D14/126
D. 317,304	6/1991	Renk, Jr.	D14/126
D. 322,433	12/1991	Renk, Jr. et al.	D14/133
D. 338,667	8/1993	Renk, Jr.	D14/126
D. 348,456	7/1994	Renk, Jr.	D14/126
D. 350,954	9/1994	Park	D14/126
D. 352,027	11/1994	Renk	D14/126

D. 368,471	4/1996	Kitagawa et al.	D14/129
D. 371,551	7/1996	Renk	D14/126
D. 373,123	8/1996	Yukikado et al.	D14/129
D. 376,798	12/1996	Renk	D14/133

Primary Examiner—Ted Shooman
Assistant Examiner—Richelle Shelton
Attorney, Agent, or Firm—Woodard, Emhardt, Naughton, Moriarty & McNett

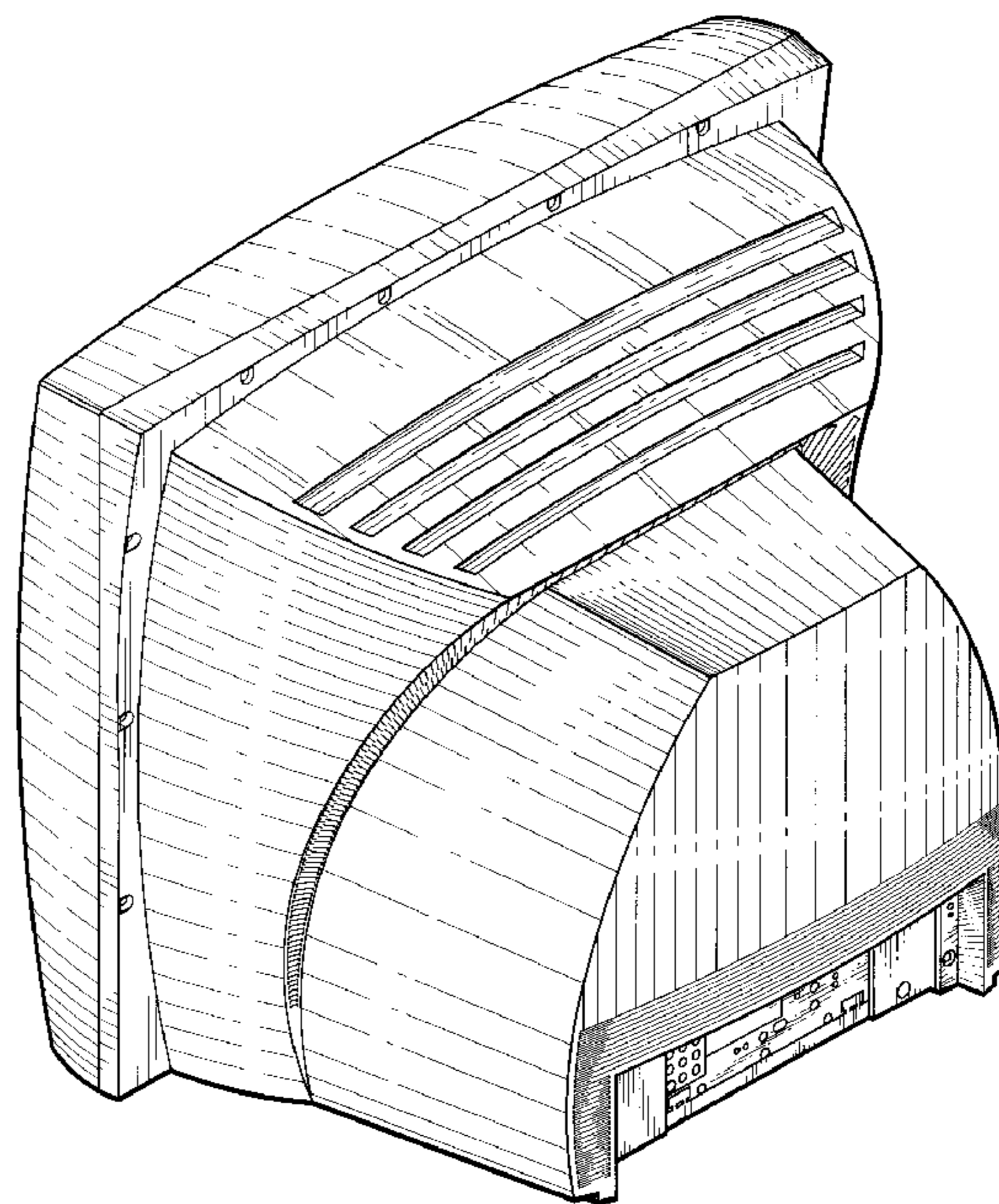
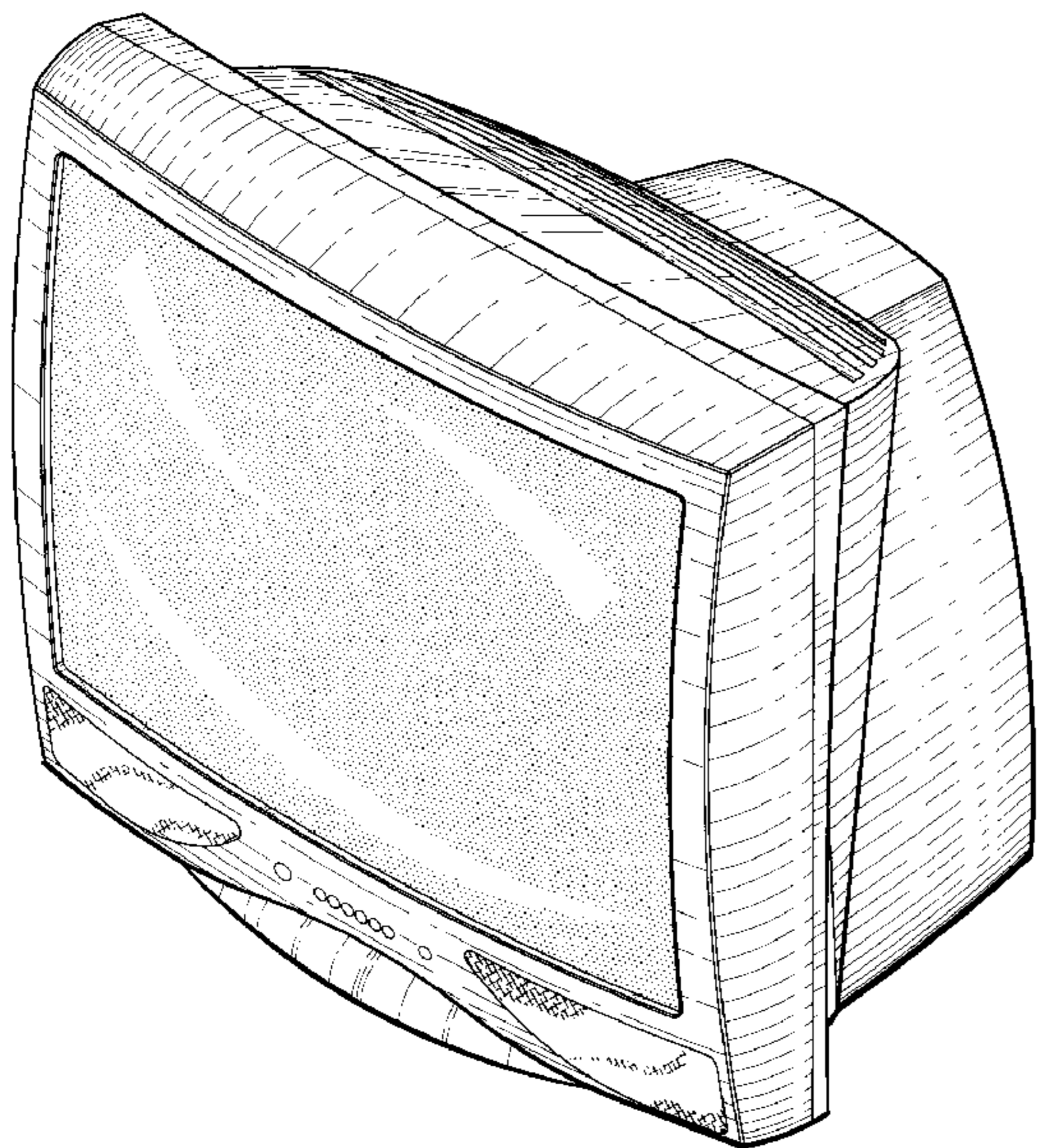
[57] **CLAIM**

The ornamental design for a home theater television, as shown and described.

DESCRIPTION

FIG. 1 is a top, front, and right side perspective view of home theater television, showing the new design; FIG. 2 is a top, rear, and right side perspective view thereof; FIG. 3 is a front view thereof; FIG. 4 is rear view thereof; FIG. 5 is a top view thereof, with the front of the new design to the bottom of the drawing; FIG. 6 is a right side view thereof, the left side being a mirror image of that shown; and, FIG. 7 is a bottom view with the front of the new design toward the top of the drawing.

1 Claim, 7 Drawing Sheets



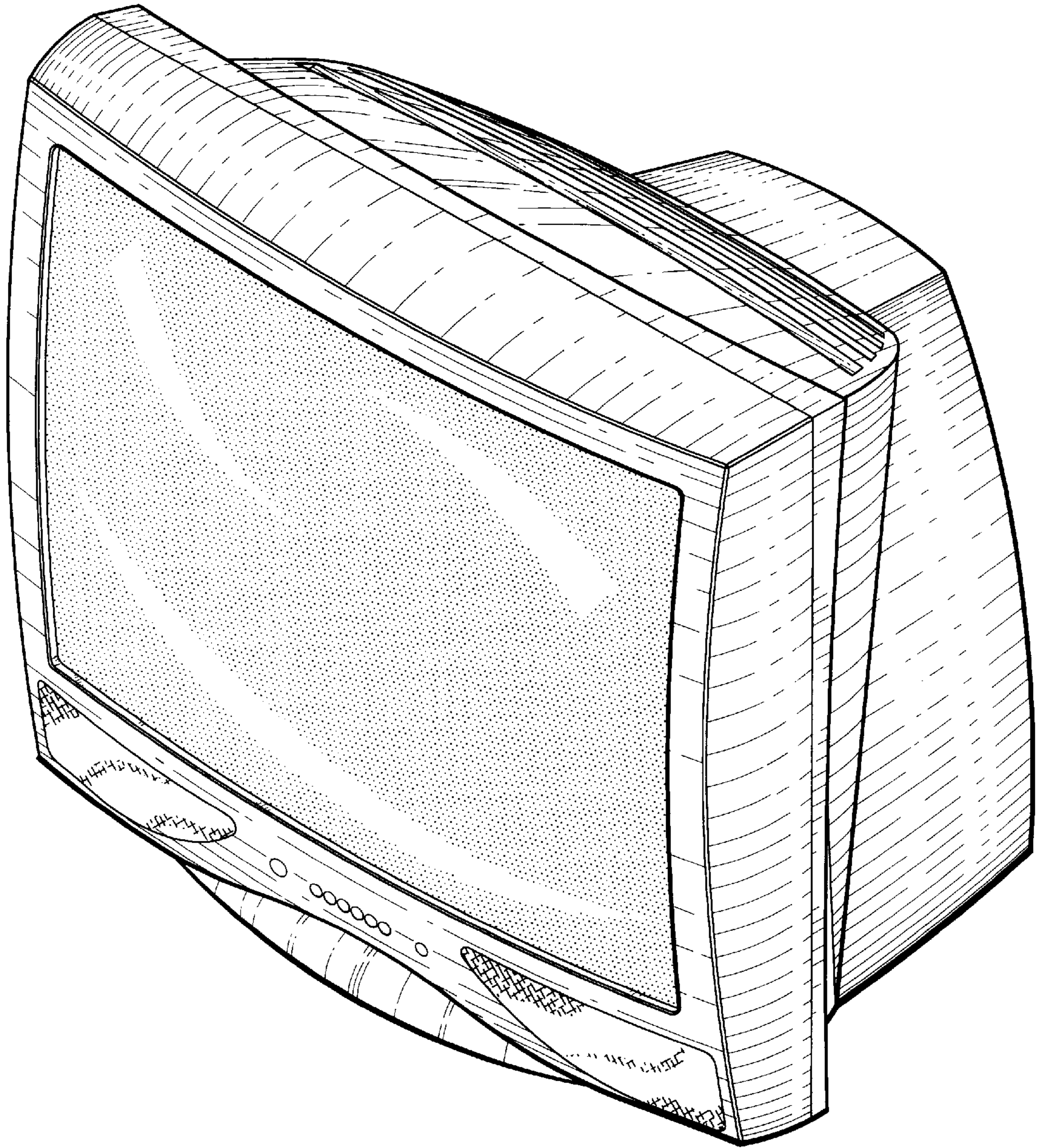


Fig. 1

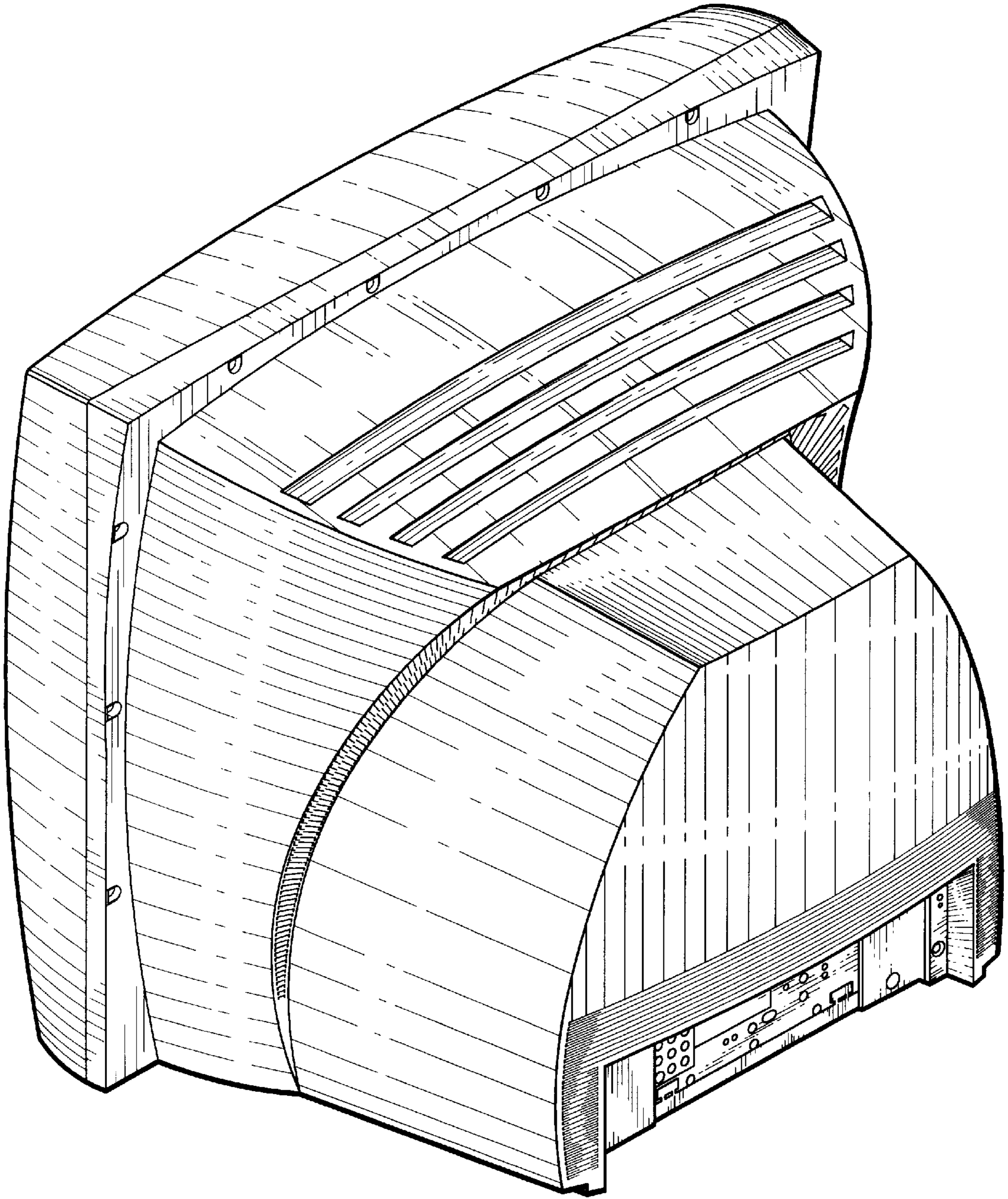


Fig. 2

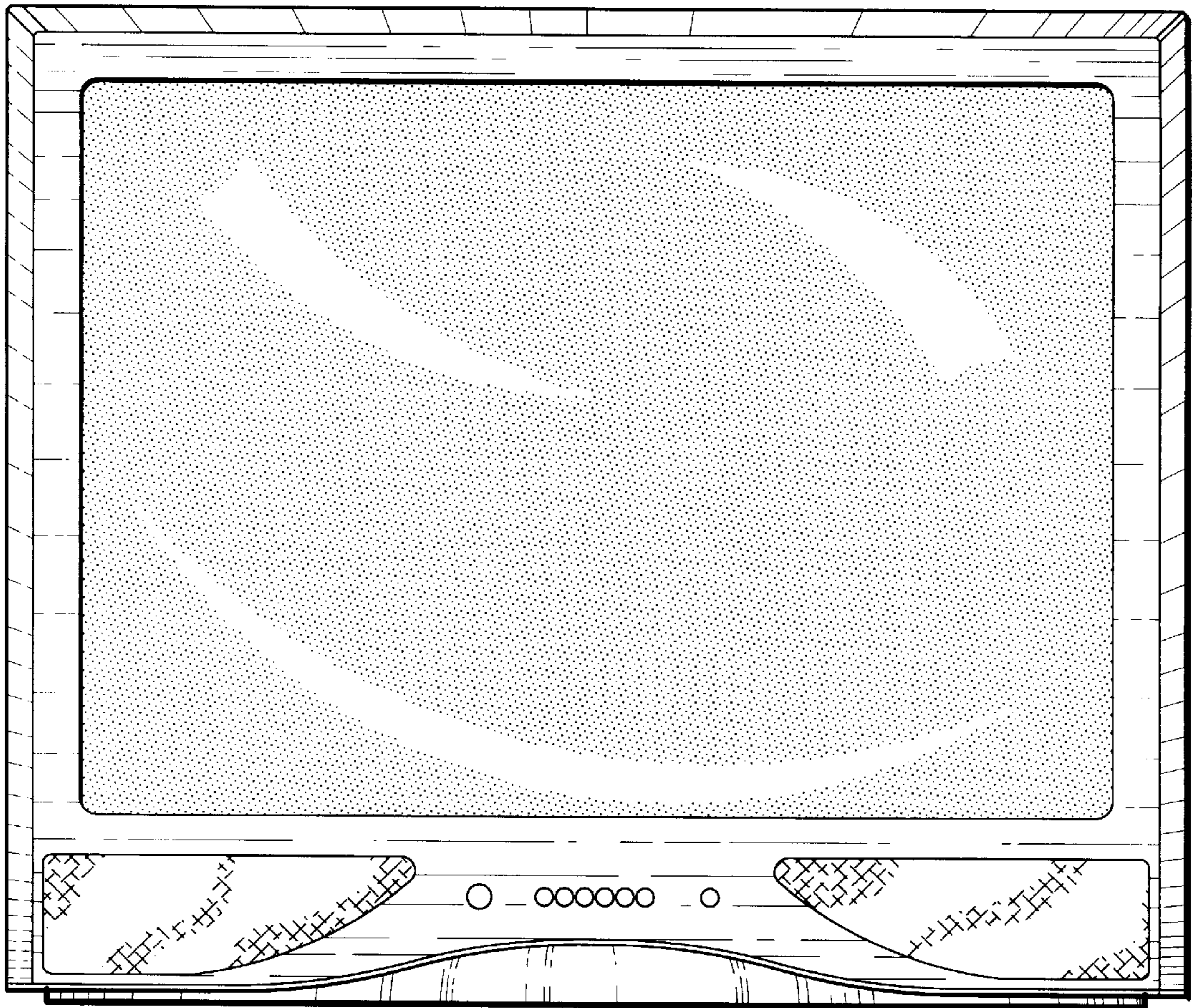


Fig. 3

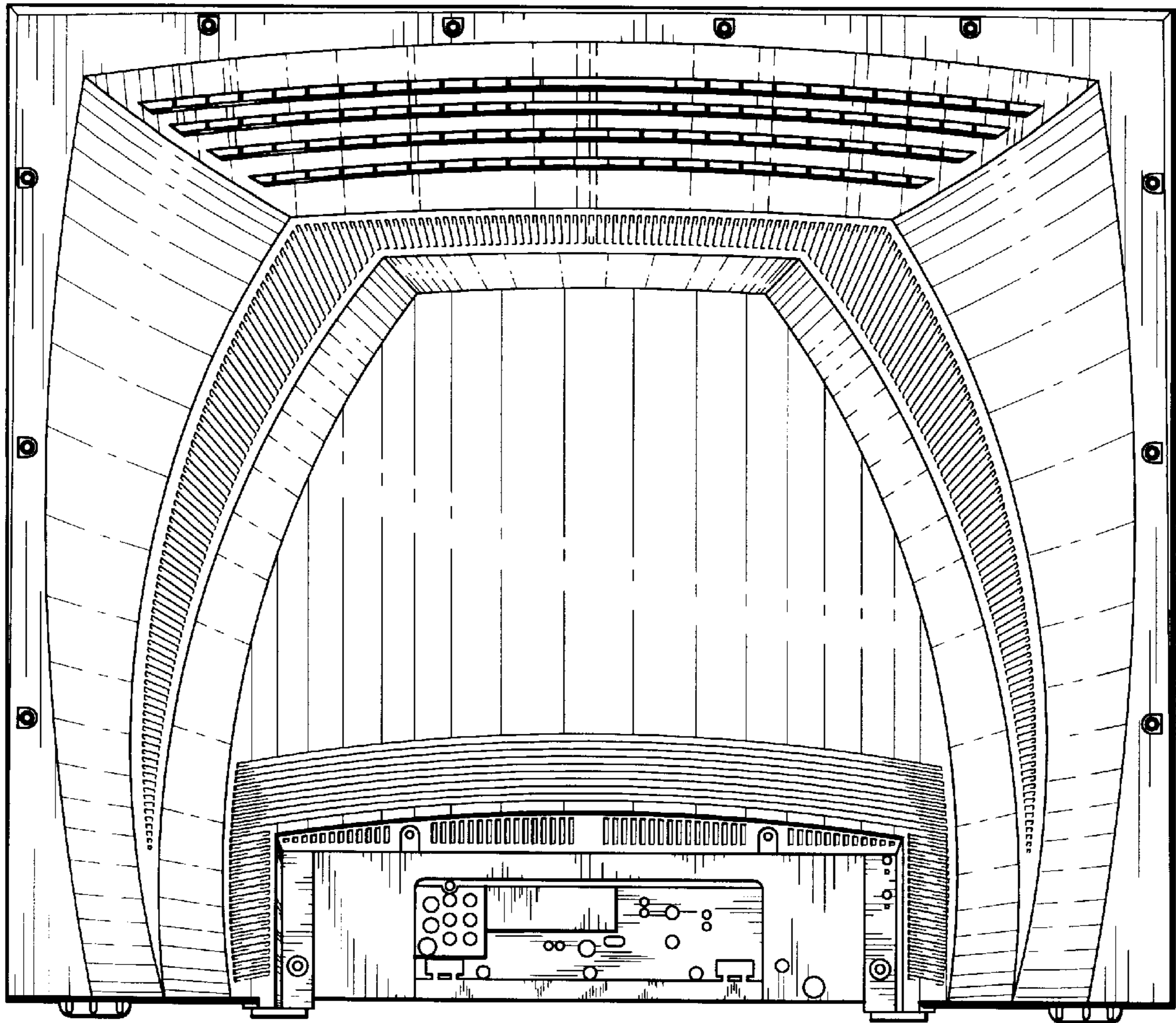


Fig. 4

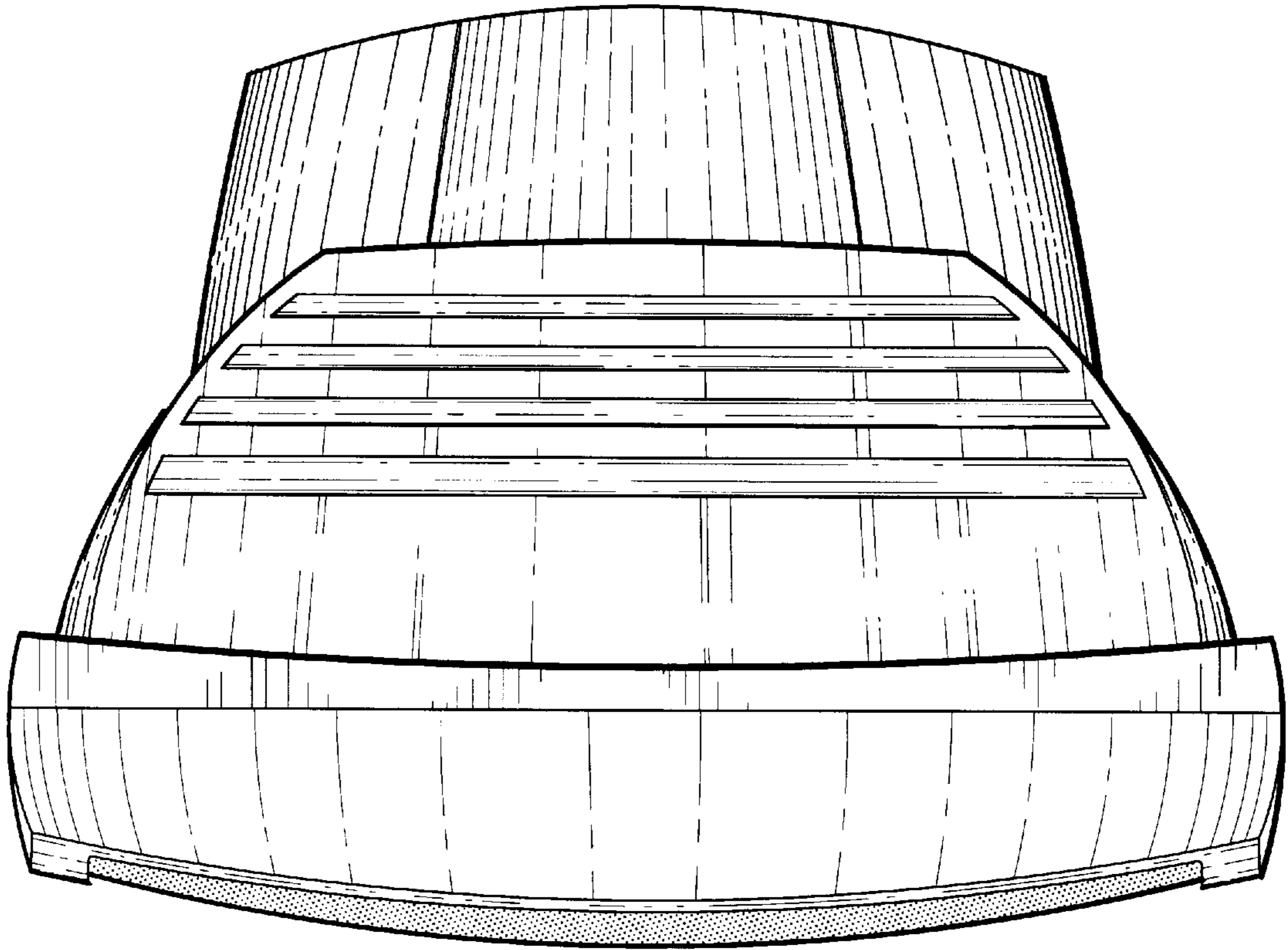


Fig. 5

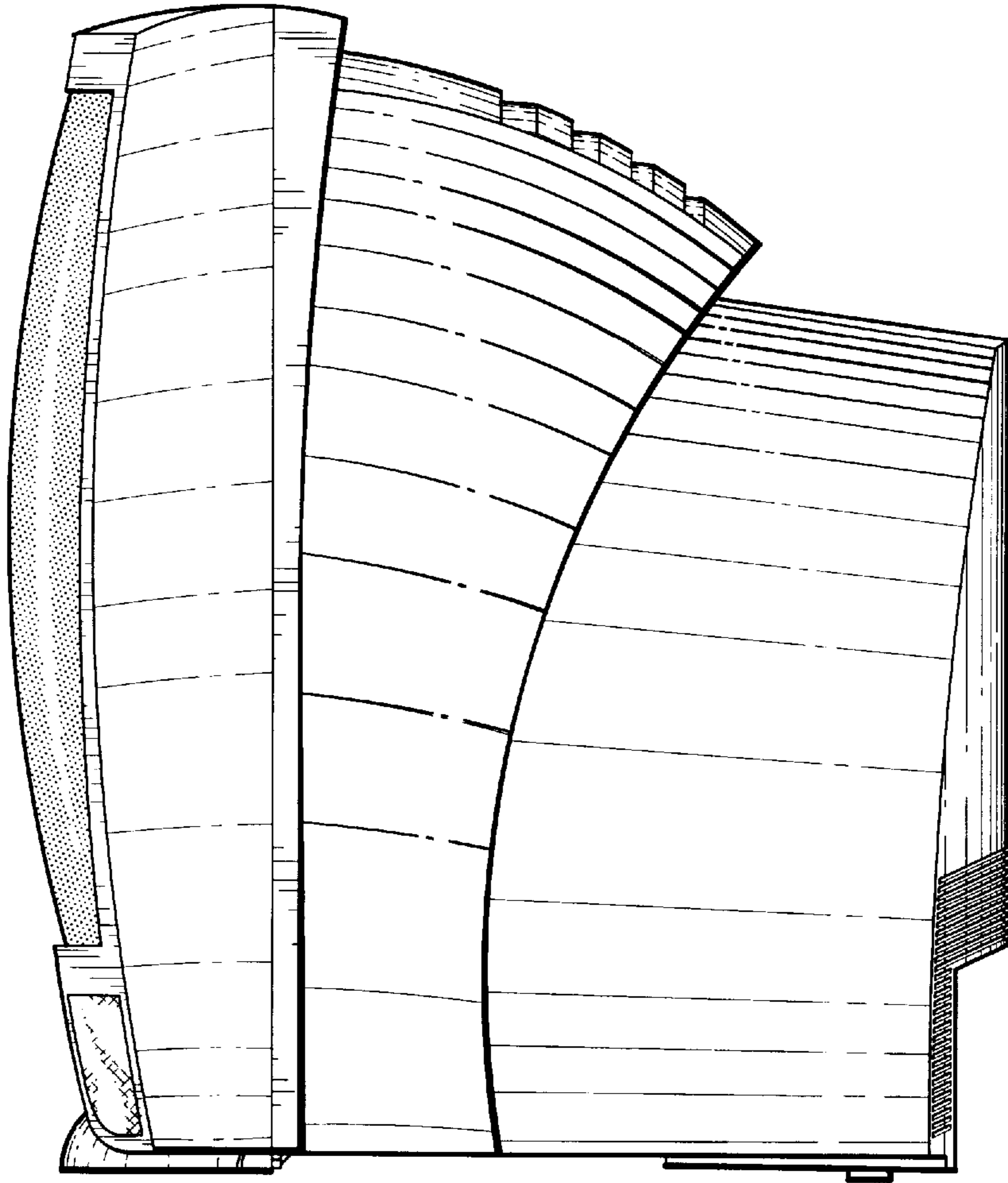


Fig. 6

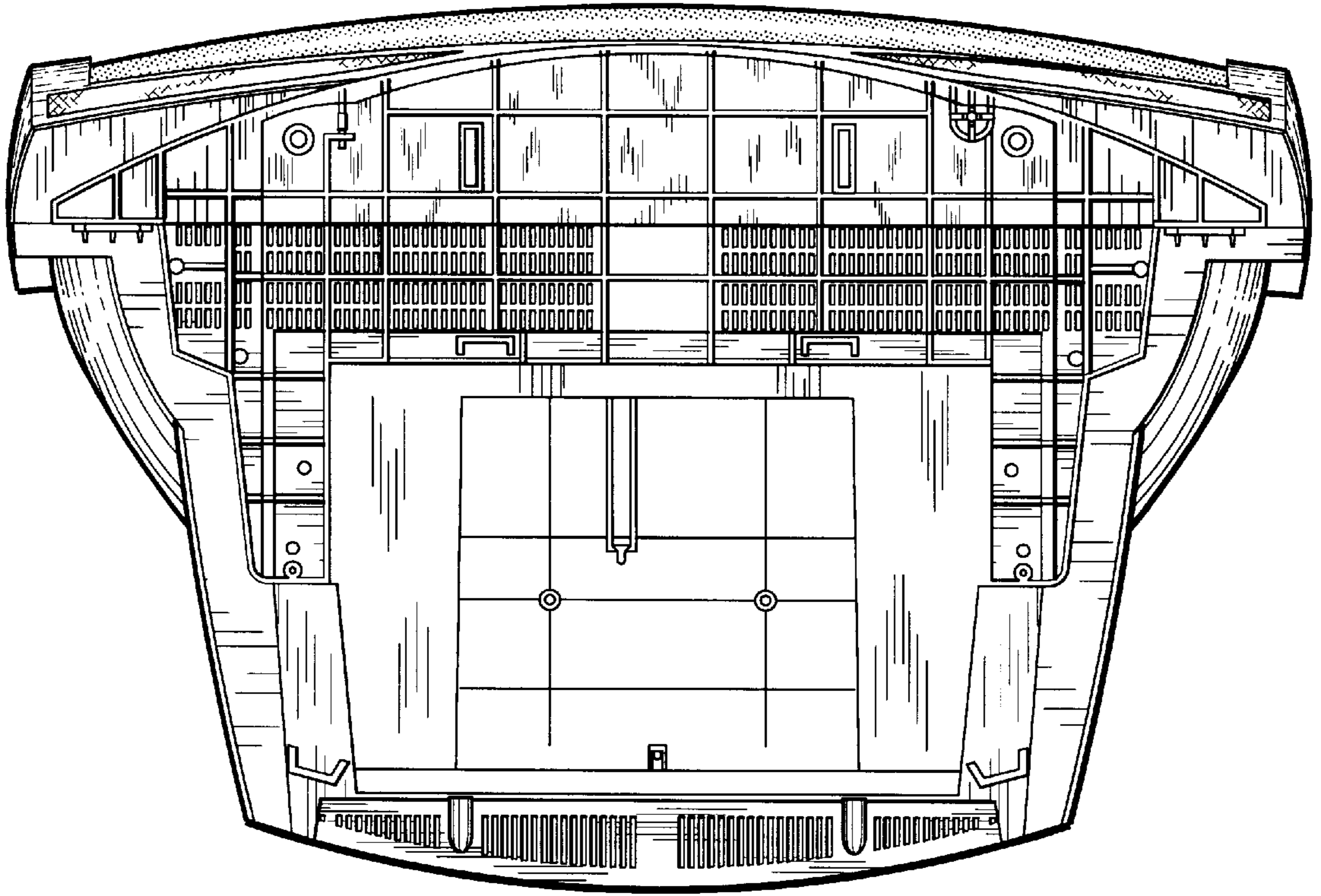


Fig. 7